

B

LOCATION CERTIFICATE

55214

TO ALL WHOM IT MAY CONCERN:

The undersigned hereby certifies that he has located the PACTOLUS,

No. 9 lode mining claim in Eureka County, in the State of

Nevada, on the 28 day of July, 1971.

The length of the claim is 1,500 feet and width is 300 feet on each side of the center of the claim. On the center line of the claim, the notice of location is posted at the discovery monu-

ment from which 35 feet is claimed in a S45W direction and 1465

feet in a N45E direction which is the general course of the lode deposit and

premises. The claim is described by metes and bounds as follows, to wit:

Beginning at corner 1;

thence N45E, 750 feet to NW side center, marked P 9 / NSC;

thence N45E, 750 feet to corner 2, marked P 9 / 2;

thence S45E, 600 feet to corner 3, marked P 9 / 3;

thence S45W, 750 feet to SE side center, marked P 9 / SSC;

thence S45W, 750 feet to corner 4, marked P 9 / 4;

thence N45W, 600 feet to corner 1, the point of beginning, marked P 9 / 1.

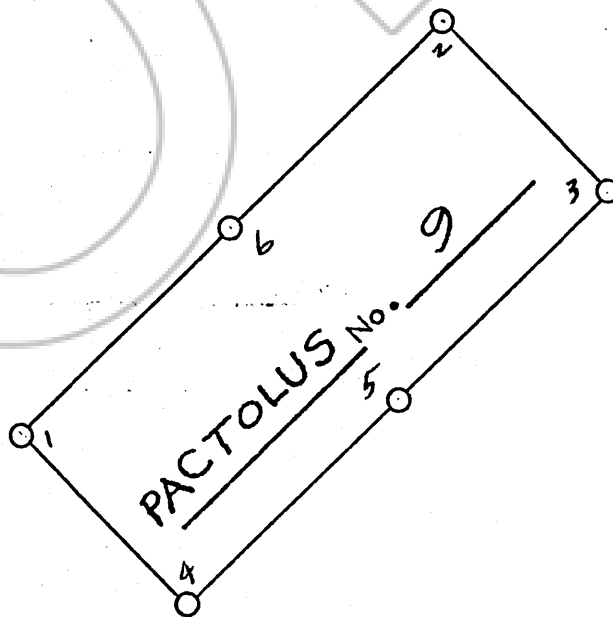
The corners are 4"x4"x4 1/2" posts, native timbers, or rock monuments.

Location work consisted of making the maps provided in NRS 517.040.

This claim is situated in:

S 29, T 22 N, R 50 E

Scale: 1 inch = 500 feet



Corner 1 bears about N24E, approximately 6,525 feet

from SW Cor S 32, T 22 N, R 50 E.

True North



LYLE F. CAMPBELL
Box 7377
Reno, Nevada 89502

RECORDED AT THE REQUEST OF
Lyle F. Campbell

on October 26, 1971

at 45 mins. past 10 A.M.

In Book 40 of OFFICIAL

RECORDS, page 598, RECORDS

OF EUREKA COUNTY, NEVADA

Julius A. DePaoli

Recorder

File No. 55214 Fee \$ 16.00

Dated this 22 day of October 1971

Julius E. Simpson
Lyle F. Campbell

Lyle F. Campbell, Locator
Box 7377