

LOCATION CERTIFICATE

55222

TO ALL WHOM IT MAY CONCERN:

The undersigned hereby certifies that he has located the PACTOLUS,
No. 55 lode mining claim in Eureka County, in the State of
Nevada, on the 30 day of July, 1971.

The length of the claim is 1,500 feet and width is 300 feet on each side of the center of the
claim. On the center line of the claim, the notice of location is posted at the discovery monu-
ment from which 35 feet is claimed in a S45W direction and 1465
feet in a N45E direction which is the general course of the lode deposit and
premises. The claim is described by metes and bounds as follows, to wit:

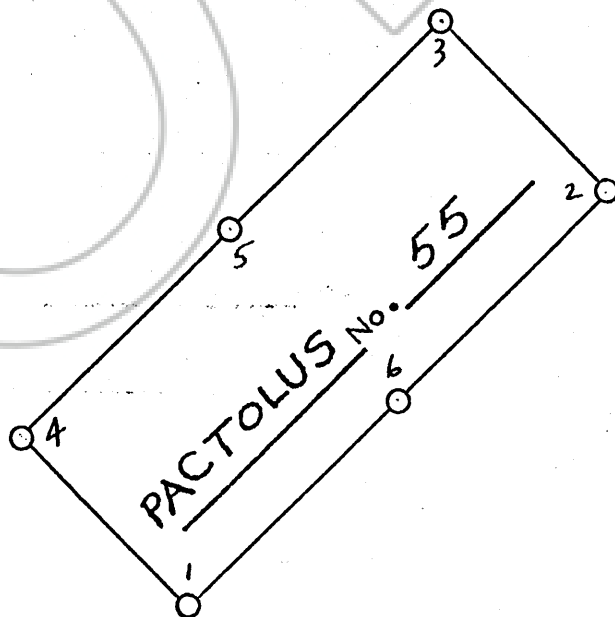
Beginning at corner 1;
thence N45E, 750 feet to SE side center, marked P55/SSC;
thence N45E, 750 feet to corner 2, marked P55/2;
thence N45W, 600 feet to corner 3, marked P55/3;
thence S45W, 750 feet to NW side center, marked P55/NSC;
thence S45W, 750 feet to corner 4, marked P55/4;
thence S45E, 600 feet to corner 1, the point of beginning, marked P55/1.

The corners are 4"x4"x4 1/2" posts, native timbers, or rock monuments.
Location work consisted of making the maps provided in NRS 517,040.

This claim is situated in:

S 10, T 21N, R 50E

Scale: 1 inch = 500 feet



Corner 1 bears about S34E, approximately 6,890 feet
from SW Cor S34, T22N, R50E

LYLE F. CAMPBELL
Box 7377
Reno, Nevada 89502

RECORDED AT THE REQUEST OF
Lyle F. Campbell
on October 26, 1971
at 45 mins. past 10 A. M.
In Book 40 of OFFICIAL
RECORDS, page 606, RECORDS
OF EUREKA COUNTY, NEVADA.
Julius A. DePaolis
Recorder,
File No. 55222 Fee \$ 16.00

Dated this 22 day of October 1971

Julian E. Simpson
Lyle F. Campbell
Lyle F. Campbell, Locator
Box 7377