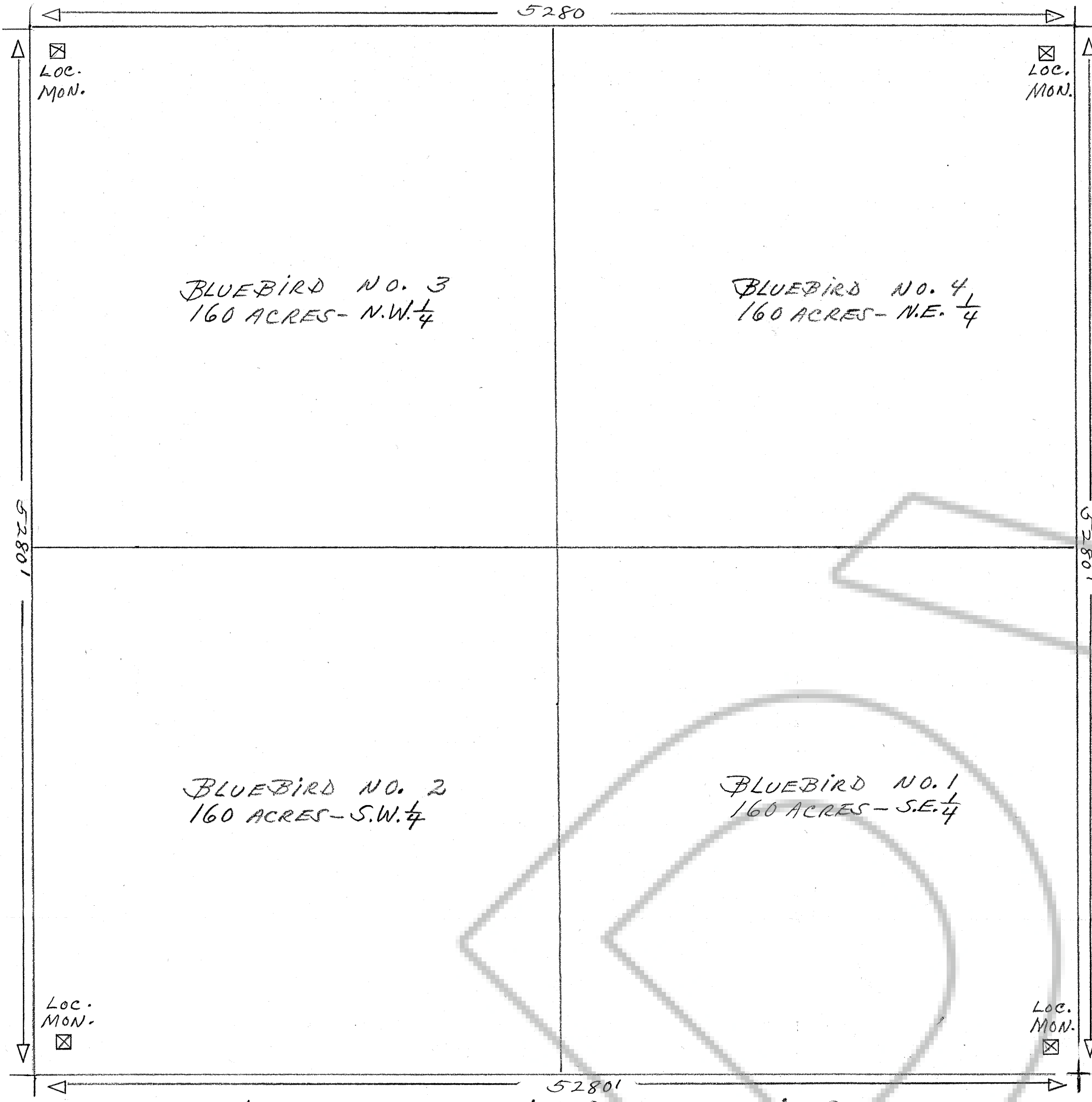


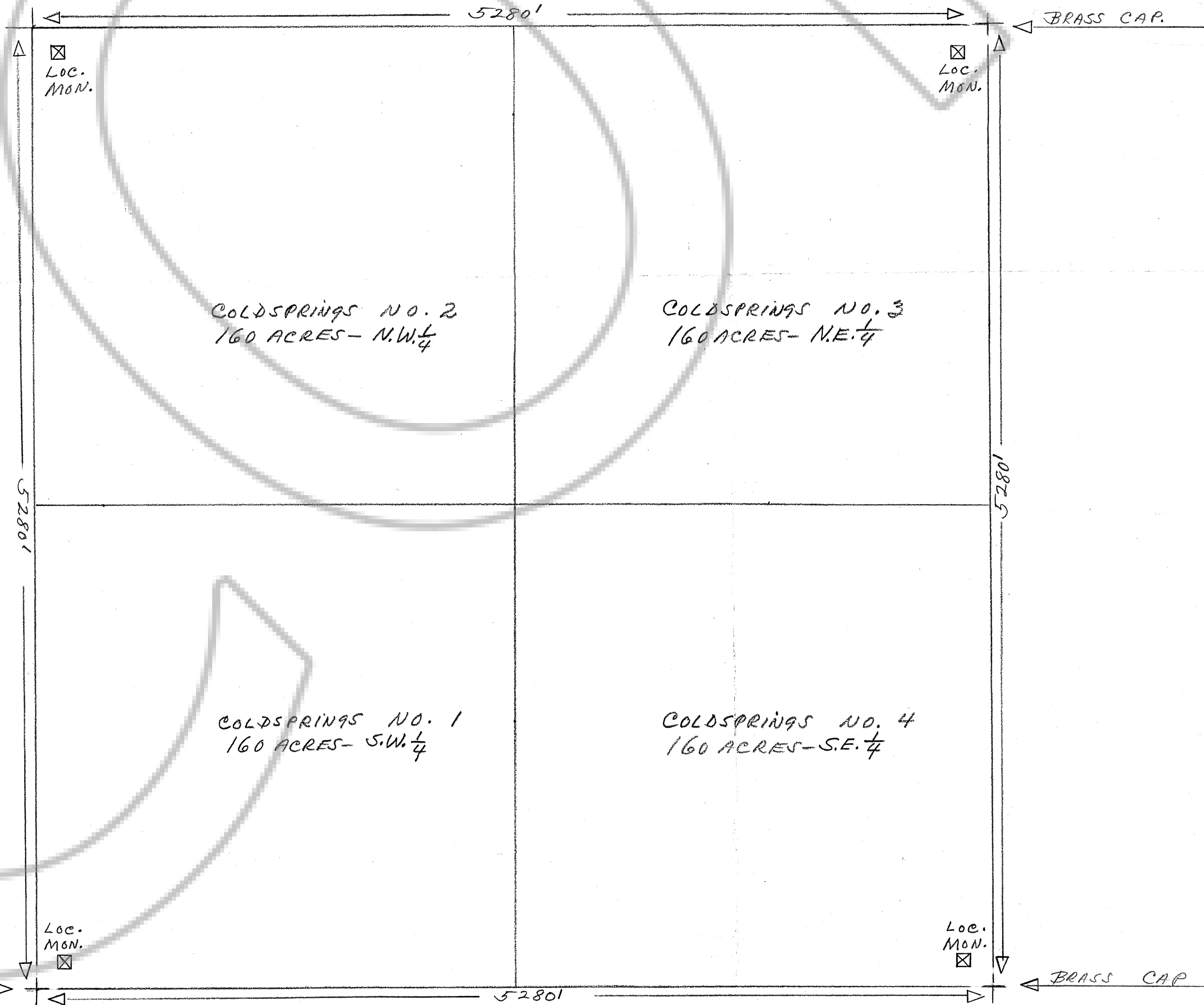
SECTION-34, T31N, R48E.

TRUE NORTH
SCALE-1"=500'



MAP OF THE BLUEBIRD PLACER CLAIM GROUP.
BULLION MINING DISTRICT, EUREKA COUNTY, NEVADA.
LOCATED:- THE BLUEBIRD NOS 1, 2, 3 AND 4, FEB. 20TH, 1970.
BY:- L.C. CARTER
P.O. BOX 58
BEOWAWE, NEVADA
SECTION:- 34, T31N, R48E.
DUNPHY QUADRANGLE, NEVADA. 1957.

SECTION-36, T31N, R48E.



MAP OF THE COLDSPRINGS PLACER CLAIM GROUP.
BULLION MINING DISTRICT, EUREKA COUNTY, NEVADA.
LOCATED:- THE COLDSPRINGS, NOS 1, 2, 3 AND 4, FEB. 20TH, 1970.
BY:- L.C. CARTER
P.O. BOX 58
BEOWAWE, NEVADA
SECTION:- 36, T31N, R48E
DUNPHY QUADRANGLE, NEVADA. 1957

Filed
RECORDED AT THE REQUEST OF
Hugo Janacels
on August 22, 1973
at 10:00 min. past 11 A. M.
in Book _____ of OFFICIAL
RECORDS
OF EUREKA COUNTY, NEVADA
Recorder _____
File No. 58220