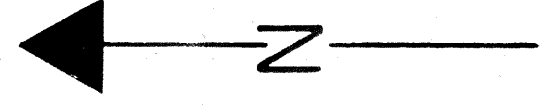
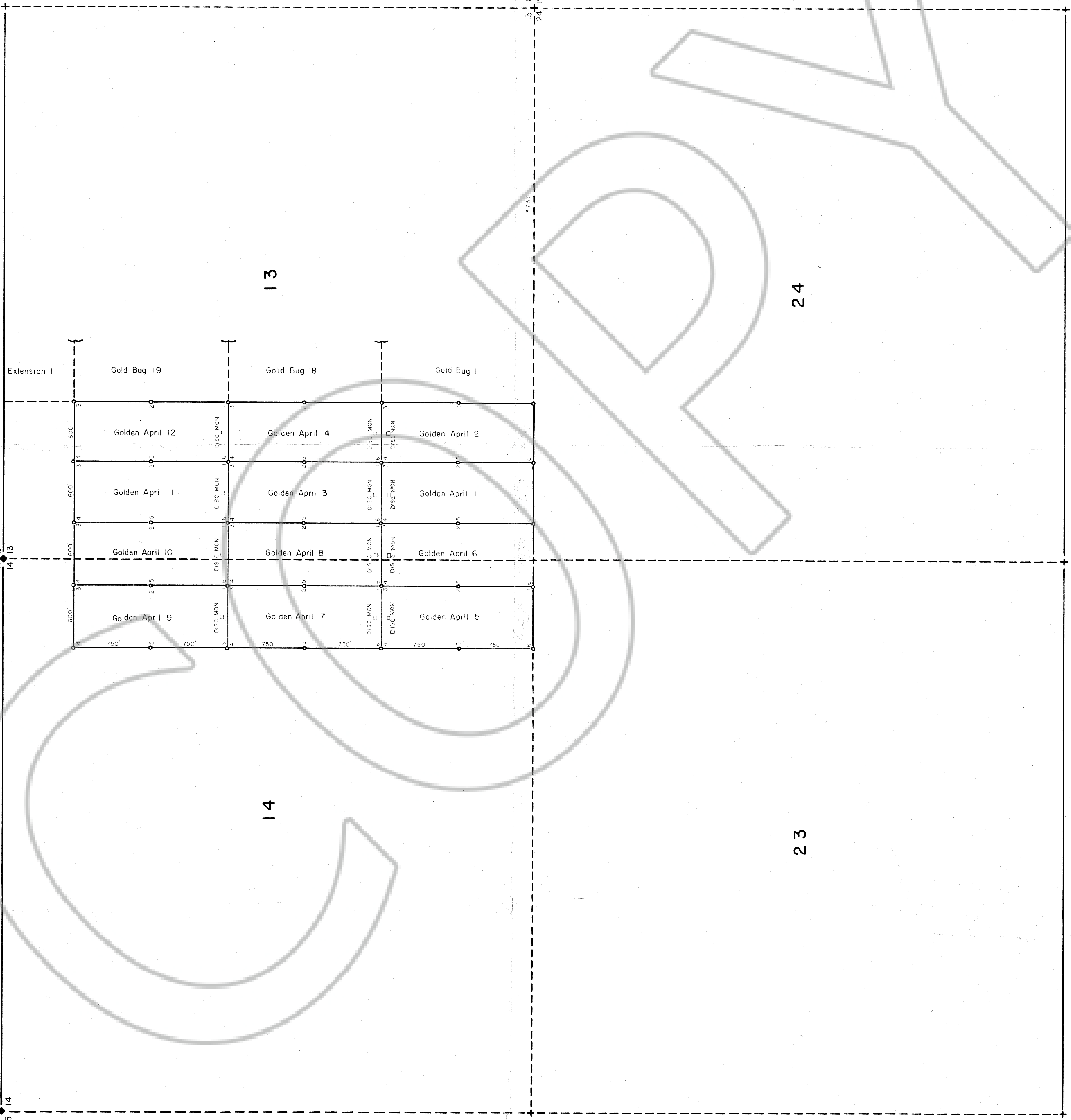


T 36 N R 49 E

10 Brass Cap
11
15

11 Brass Cap
12
14



LEGEND

- 0 Discovery measurement
- 4 x 4 feet
- 4 x 4 feet

Filed AT THE REQUEST OF *PanCana Industries, Inc.*
 on April 12, 1977 at 3:30 min. per I.R.M. in
 RECORDS OF
 EUREKA COUNTY, NEVADA
 WILLIS A. DEVOLE Notary Public
 No. 62857

GOLDEN APRIL CLAIMS I - 12

PanCana Industries, Inc.

Eureka county, Nevada

T 36 N, R 49 E

Located April 6, 1977

Scale 1" = 500'

13

24

14

23