

68475

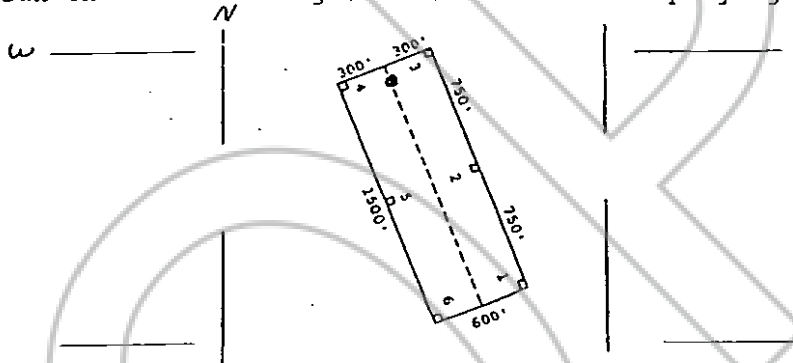
STATE OF NEVADA
CERTIFICATE OF MINING LOCATION
LODE CLAIM ON PUBLIC DOMAIN

NOTICE IS HEREBY GIVEN that the SEL RAT No. 25 lode mining claim has been located by AMSELCO MINERALS INC., a Delaware corporation, whose address is 1000 Bible Way, Suite 66, Reno, Nevada 89502. The general course of this claim is North 20° West. This claim is 1500 feet in length along the course of the claim, being 10 feet from the point of discovery in a N20°W direction to the North end line of this claim, and 1490 feet in a S20°E direction to the South end line of the claim. This claim is 600 feet in width, being 300 feet in width on each side of the center line of the claim.

This claim is located within the NE Quarter of Section 34, Township 18 North, Range 53 East, Mount Diablo Base and Meridian, Eureka Mining District, Eureka County, Nevada. The location ~~corner~~ of this claim is situated with reference to some natural object or permanent monument as follows: Corner No. 1 is located appx.: 2650 feet S 5° W of claim location marker SR1.

The claim location marker SR1, a 3"x6' steel pipe, is located appx.: 1.93 mi N76°E from Gray's Peak; 2.50 mi N8°E from South Hill Peak; 0.55 mi S27°W from Surprise Peak.

The corners of this claim are marked by 4"x4" posts or 4" trees with metal tags inscribed with the appropriate corner number as shown on the following sketch and the accompanying claim map.



The location work consisted of making the maps as provided in NRS 517.040.

Dated and posted on the ground this 28 day of March, 1979.

Witnesses:

Locator:

AMSELCO MINERALS INC.

By [Signature]
Agent for
Amselco Minerals Inc.

STATE OF NEVADA)

COUNTY OF _____)

RECORDED AT THE REQUEST OF Amselco Minerals Inc.
on June 8 1979 at 40 mins. past 2 P.M. in
) ss. Book 70 of OFFICIAL RECORDS, page 507 RECORDS OF
) EUREKA COUNTY, NEVADA WILLIS A. DePAOLI Recorder
File No. 68475 Fee \$ 3.00

I hereby certify that the within instrument was filed and recorded at the request of: _____

FILE NO. _____
on _____
at _____
Docket _____ Page _____

Witness my hand and official seal the day and year aforesaid.

County Recorder

By _____
Deputy Recorder

BOOK 70 PAGE 507

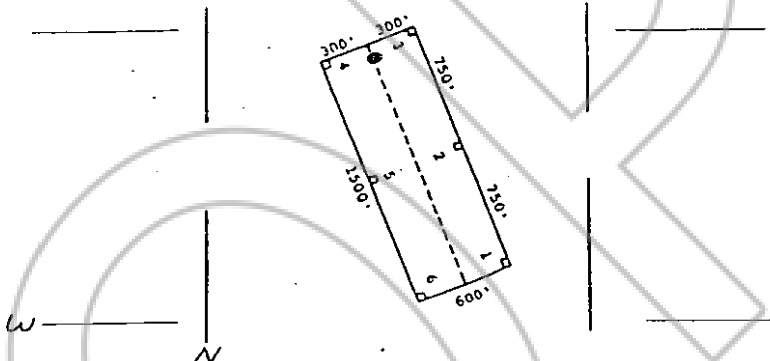
STATE OF NEVADA
CERTIFICATE OF MINING LOCATION
LODE CLAIM ON PUBLIC DOMAIN

NOTICE IS HEREBY GIVEN that the SELRAT No. 26 lode mining claim has been located by AMSELCO MINERALS INC., a Delaware corporation, whose address is 1000 Bible Way, Suite 66, Reno, Nevada 89502. The general course of this claim is North 20° West. This claim is 1500 feet in length along the course of the claim, being 1490 feet from the point of discovery in a N20°W direction to the North end line of this claim, and 10 feet in a S20°E direction to the South end line of the claim. This claim is 600 feet in width, being 300 feet in width on each side of the center line of the claim.

This claim is located within the NE Quarter of Section 34, Township 18 North, Range 53 East, Mount Diablo Base and Meridian, Eureka Mining District, Eureka County, Nevada. The location ~~XXXXXXXX~~ of this claim is situated with reference to some natural object or permanent monument as follows: Corner No. 1 is located appx.: 1250 feet N82°W of claim location marker SRL.

The claim location marker SRL, a 3"x6" steel pipe, is located appx.: 1.93 mi N76°E from Gray's Peak; 2.50 mi NB°E from South Hill Peak; 0.55 mi S27°W from Surprise Peak.

The corners of this claim are marked by 4"x4" posts or 4" trees with metal tags inscribed with the appropriate corner number as shown on the following sketch and the accompanying claim map.



The location work consisted of making the maps as provided in NRS 517.040.

Dated and posted on the ground this 28 day of March, 1979.

Witnesses:

Locator:

AMSELCO MINERALS INC.

By [Signature]
Agent for
Amselco Minerals Inc.

STATE OF NEVADA)

COUNTY OF _____)

RECORDED AT THE REQUEST OF Amselco Minerals Inc.
on June 8, 1979 at 40 mins. past 2 P. M. In
Book 70 of OFFICIAL RECORDS, page 508 RECORDS OF
EUREKA COUNTY, NEVADA. WILLIS A. DePAOLI Recorder
File No. 68476 Fee \$ 3.00

I hereby certify that the within instrument was filed and recorded at the request of: _____

FILE NO. _____
on _____
at _____
Docket _____ Page _____

Witness my hand and official seal the day and year aforesaid.

County Recorder

By _____
Deputy Recorder

BOOK 70 PAGE 508

68477

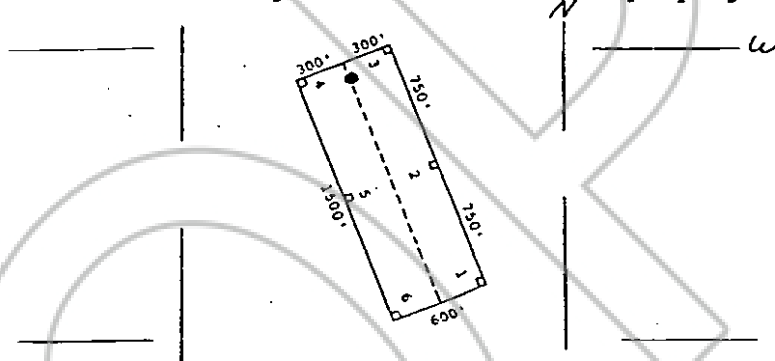
STATE OF NEVADA
CERTIFICATE OF MINING LOCATION
LODE CLAIM ON PUBLIC DOMAIN

NOTICE IS HEREBY GIVEN that the SELRAT No. 27 lode mining claim has been located by AMSELCO MINERALS INC., a Delaware corporation, whose address is 1000 Bible Way, Suite 66, Reno, Nevada 89502. The general course of this claim is North 20° West. This claim is 1500 feet in length along the course of the claim, being 10 feet from the point of discovery in a N20°W direction to the North end line of this claim, and 1490 feet in a S20°E direction to the South end line of the claim. This claim is 600 feet in width, being 300 feet in width on each side of the center line of the claim.

This claim is located within the NE Quarter of Section 34, Township 18 North, Range 53 East, Mount Diablo Base and Meridian, Eureka Mining District, Eureka County, Nevada. The location ~~marker~~ of this claim is situated with reference to some natural object or permanent monument as follows: Corner No. 1 is located appx.: 3350 feet S 23° W of claim location marker SR1.

The claim location marker SR1, a 3"x6' steel pipe, is located appx.: 1.93 mi N76°E from Gray's Peak; 2.50 mi N8°E from South Hill Peak; 0.55 mi S27°W from Surprise Peak.

The corners of this claim are marked by 4"x4" posts or 4" trees with metal tags inscribed with the appropriate corner number as shown on the following sketch and the accompanying claim map.



The location work consisted of making the maps as provided in NRS 517.040.

Dated and posted on the ground this 28 day of March, 1979.

Witnesses:

Locator:

AMSELCO MINERALS INC

By [Signature]
Agent for
Amselco Minerals Inc.

STATE OF NEVADA)

COUNTY OF _____)

RECORDED AT THE REQUEST OF Amselco Minerals Inc.
on June 8, 19 79, at 40 mins. past 2 P.M. P.
) ss. 70 of OFFICIAL RECORDS, page 509 RECORDS OF
EUREKA COUNTY, NEVADA. WILLIS A. DePAOLI Recorder
File No. 68477 Fee \$ 3.00

I hereby certify that the within instrument was filed and recorded at the request of: _____

FILE NO. _____
on _____
at _____
Docket _____ Page _____

Witness my hand and official seal the day and year aforesaid.

County Recorder

By _____
Deputy Recorder

BOOK 70 PAGE 509

STATE OF NEVADA
CERTIFICATE OF MINING LOCATION
LODE CLAIM ON PUBLIC DOMAIN

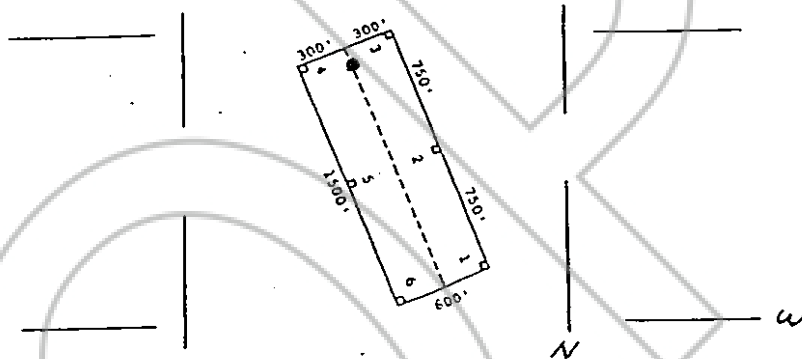
68478

NOTICE IS HEREBY GIVEN that the SELRAT No. 28 lode mining claim has been located by AMSELCO MINERALS INC., a Delaware corporation, whose address is 1000 Bible Way, Suite 66, Reno, Nevada 89502. The general course of this claim is North 20° West. This claim is 1500 feet in length along the course of the claim, being 1490 feet from the point of discovery in a N20°W direction to the North end line of this claim, and 10 feet in a S20°E direction to the South end line of the claim. This claim is 600 feet in width, being 300 feet in width on each side of the center line of the claim.

This claim is located within the NE Quarter of Section 34, Township 18 North, Range 53 East, Mount Diablo Base and Meridian, Eureka Mining District, Eureka County, Nevada. The location ~~marker~~ of this claim is situated with reference to some natural object or permanent monument as follows: Corner No. 1 is located appx.: 2900 feet S 85° E of claim location marker SR1.

The claim location marker SR1, a 3"x6' steel pipe, is located appx.: 1.93 mi N76°E from Gray's Peak; 2.50 mi NB°E from South Hill Peak; 0.55 mi S27°W from Surprise Peak.

The corners of this claim are marked by 4"x4" posts or 4" trees with metal tags inscribed with the appropriate corner number as shown on the following sketch and the accompanying claim map.



The location work consisted of making the maps as provided in NRS 517.040.

Dated and posted on the ground this 28 day of March, 1979.

Witnesses:

Locator:

AMSELCO MINERALS INC.

By [Signature]
Agent for
Amselco Minerals Inc.

STATE OF NEVADA)

) ss.

COUNTY OF _____)

RECORDED AT THE REQUEST OF Amselco Minerals Inc.
on June 8 1979 at 40 mins. past 2 P.M. in
Book 70 of OFFICIAL RECORDS, page 510, RECORDS OF
EUREKA COUNTY, NEVADA. WILLIS A. DePAOLI Recorder
File No. 68478 Fee \$ 3.00

I hereby certify that the within instrument was filed and recorded at the request of: _____

FILE NO. _____
on _____
at _____
Docket _____ Page _____

Witness my hand and official seal the day and year aforesaid.

County Recorder

By _____
Deputy Recorder

BOOK 70 PAGE 510

STATE OF NEVADA
CERTIFICATE OF MINING LOCATION
LODE CLAIM ON PUBLIC DOMAIN

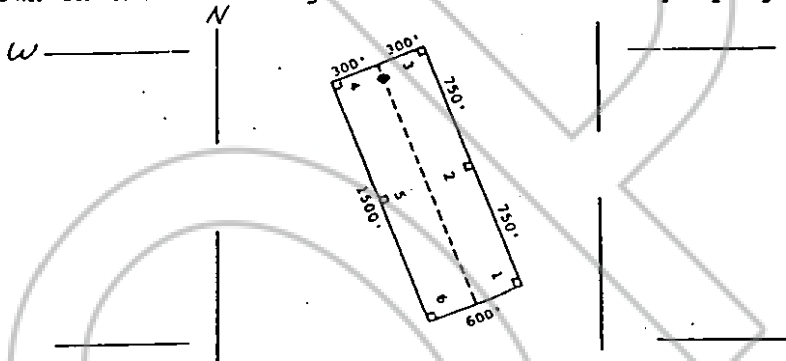
68479

NOTICE IS HEREBY GIVEN that the SELRAT No. 29 lode mining claim has been located by AMSELCO MINERALS INC., a Delaware corporation, whose address is 1000 Bible Way, Suite 66, Reno, Nevada 89502. The general course of this claim is North 20° West. This claim is 1500 feet in length along the course of the claim, being 10 feet from the point of discovery in a N20°W direction to the North end line of this claim, and 1490 feet in a S20°E direction to the South end line of the claim. This claim is 600 feet in width, being 300 feet in width on each side of the center line of the claim.

This claim is located within the NW Quarter of Section 34, Township 18 North, Range 53 East, Mount Diablo Base and Meridian, Eureka Mining District, Eureka County, Nevada. The location ~~marker~~ of this claim is situated with reference to some natural object or permanent monument as follows: Corner No. 1 is located appx.: 3350 feet S23°W of claim location marker SR1.

The claim location marker SR1, a 3"x6' steel pipe, is located appx.: 1.93 mi N76°E from Gray's Peak; 2.50 mi N8°E from South Hill Peak; 0.55 mi S27°W from Surprise Peak.

The corners of this claim are marked by 4"x4" posts or 4" trees with metal tags inscribed with the appropriate corner number as shown on the following sketch and the accompanying claim map.



The location work consisted of making the maps as provided in NRS 517.040.

Dated and posted on the ground this 6 day of April, 1979.

Witnesses:

Locator:

AMSELCO MINERALS INC.

By [Signature]
Agent for
Amselco Minerals Inc.

STATE OF NEVADA)

COUNTY OF _____)

RECORDED AT THE REQUEST OF Amselco Minerals Inc.
on June 8, 1979, at 40 mins. past 2 P.M.)
) ss. Book 70 of OFFICIAL RECORDS, page 511 RECORDS OF
EUREKA COUNTY, NEVADA WILLIS A. DePAOLI Recorder
File No. 68479 Fee \$ 3.00

I hereby certify that the within instrument was filed and recorded at the request of: _____

FILE NO. _____
on _____
at _____
Docket _____ Page _____

Witness my hand and official seal the day and year aforesaid.

County Recorder

By _____
Deputy Recorder

BOOK: 70 PAGE 511

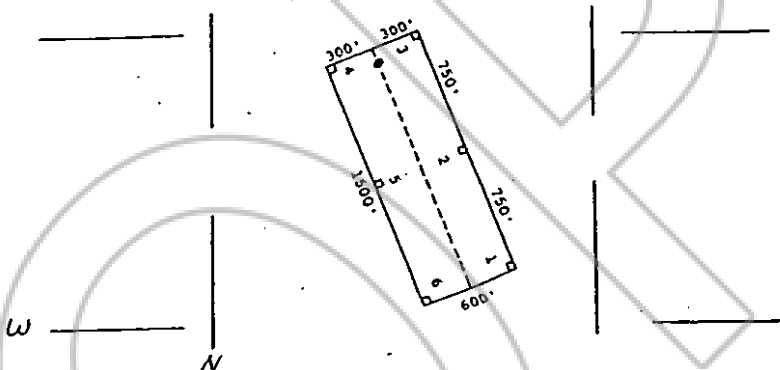
STATE OF NEVADA
CERTIFICATE OF MINING LOCATION
LODE CLAIM ON PUBLIC DOMAIN

NOTICE IS HEREBY GIVEN that the SELRAT No. 30 lode mining claim has been located by AMSELCO MINERALS INC., a Delaware corporation, whose address is 1000 Bible Way, Suite 66, Reno, Nevada 89502. The general course of this claim is North 20° West. This claim is 1500 feet in length along the course of the claim, being 1490 feet from the point of discovery in a N20°W direction to the North end line of this claim, and 10 feet in a S20°E direction to the South end line of the claim. This claim is 600 feet in width, being 300 feet in width on each side of the center line of the claim.

This claim is located within the NW Quarter of Section 34, Township 18 North, Range 53 East, Mount Diablo Base and Meridian, Eureka Mining District, Eureka County, Nevada. The location ~~XXXXXXXX~~ of this claim is situated with reference to some natural object or permanent monument as follows: Corner No. 1 is located appx.: 2400 feet S 85° E of claim location marker SR1.

The claim location marker SR1, a 3"x6" steel pipe, is located appx.: 1.93 mi N76°E from Gray's Peak; 2.50 mi N8°E from South Hill Peak; 0.55 mi S27°W from Surprise Peak.

The corners of this claim are marked by 4"x4" posts or 4" trees with metal tags inscribed with the appropriate corner number as shown on the following sketch and the accompanying claim map.



The location work consisted of making the maps as provided in NRS 517.040.

Dated and posted on the ground this 6 day of April, 1979.

Witnesses:

Locator:

AMSELCO MINERALS INC.

By [Signature]
Agent for

Amselco Minerals Inc.

RECORDED AT THE REQUEST OF Amselco Minerals Inc.
on June 8 1979 at 40 mins. past 2 P. M. of
Book 70 of OFFICIAL RECORDS, page 512, RECORDS OF
) SS. EUREKA COUNTY, NEVADA. WILLIS A. DePAOLI Recorder
File No. 68480 Fee \$ 3.00

STATE OF NEVADA)

COUNTY OF _____)

I hereby certify that the within instrument was filed and recorded at the request of: _____

FILE NO. _____
on _____
at _____
Docket _____ Page _____

Witness my hand and official seal the day and year aforesaid.

County Recorder

By _____
Deputy Recorder

BOOK 70 PAGE 512

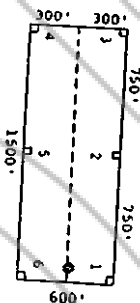
STATE OF NEVADA
CERTIFICATE OF MINING LOCATION
LODE CLAIM ON PUBLIC DOMAIN

NOTICE IS HEREBY GIVEN that the SELRAT No. 31 lode mining claim has been located by AMSELCO MINERALS INC., a Delaware corporation, whose address is 1000 Bible Way, Suite 66, Reno, Nevada 89502. The general course of this claim is North 3° West. This claim is 1500 feet in length along the course of the claim, being 10 feet from the point of discovery in a N3° W direction to the North end line of this claim, and 1490 feet in a S3° E direction to the South end line of the claim. This claim is 600 feet in width, being 300 feet in width on each side of the center line of the claim.

This claim is located within the SE Quarter of Section 27, Township 18 North, Range 53 East, Mount Diablo Base and Meridian, Eureka Mining District, Eureka County, Nevada. The location monument of this claim is situated with reference to some natural object or permanent monument as follows: Corner No. 1 is located appx.: 1050 feet N 63° W of claim location marker SR1

The claim location marker SR1, a 3"x6' steel pipe, is located appx.: 1.93 mi N76° E from Gray's Peak; 2.50 mi N8° E from South Hill Peak; 0.55 mi S27° W from Surprise Peak.

The corners of this claim are marked by 4"x4" posts or 4" trees with metal tags inscribed with the appropriate corner number as shown on the following sketch and the accompanying claim map.



The location work consisted of making the maps as provided in NRS 517.040.

Dated and posted on the ground this 28 day of March, 1979.

Witnesses:

Locator:

AMSELCO MINERALS INC.

By [Signature]
Agent for
Amselco Minerals Inc.

STATE OF NEVADA)
) ss.
COUNTY OF _____)

RECORDED AT THE REQUEST OF Amselco Minerals Inc.
on June 8, 1979 at 40 mins. past 2 P. M. in
Book 70 of OFFICIAL RECORDS, page 513, RECORDS OF
EUREKA COUNTY, NEVADA. WILLIS A. DePAOLI Recorder
File No. 68481 Fee \$ 3.00

I hereby certify that the within instrument was filed and recorded at the request of: _____

Witness my hand and official seal the day and year aforesaid.

FILE NO. _____
on _____
at _____
Docket _____ Page _____

County Recorder _____
By _____
Deputy Recorder

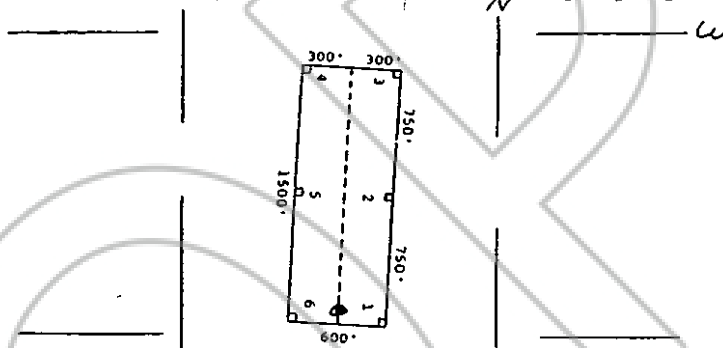
BOOK 70 PAGE 513

NOTICE IS HEREBY GIVEN that the SEL RAT No. 32 lode mining claim has been located by AMSELCO MINERALS INC., a Delaware corporation, whose address is 1000 Bible Way, Suite 66, Reno, Nevada 89502. The general course of this claim is North 3 West. This claim is 1500 feet in length along the course of the claim, being 1490 feet from the point of discovery in a N3 W direction to the North end line of this claim, and 10 feet in a S3 E direction to the South end line of the claim. This claim is 600 feet in width, being 300 feet in width on each side of the center line of the claim.

This claim is located within the SE Quarter of Section 27, Township 18 North, Range 53 East, Mount Diablo Base and Meridian, Eureka Mining District, Eureka County, Nevada. The location ~~marker~~ of this claim is situated with reference to some natural object or permanent monument as follows: Corner No. 1 is located appx.: 1050 feet N 63 W of claim location marker SR1

The claim location marker SR1, a 3"x6' steel pipe, is located appx.: 1.93 mi N76°E from Gray's Peak; 2.50 mi N8°E from South Hill Peak; 0.55 mi S27°W from Surprise Peak.

The corners of this claim are marked by 4"x4" posts or 4" trees with metal tags inscribed with the appropriate corner number as shown on the following sketch and the accompanying claim map.



The location work consisted of making the maps as provided in NRS 517.040.

Dated and posted on the ground this 28 day of March, 1979.

Witnesses:

Locator:

AMSELCO MINERALS INC.

By [Signature]
Agent for
Amselco Minerals Inc.

RECORDED AT THE REQUEST OF Amselco Minerals Inc.

STATE OF NEVADA)

on June 8, 19 79 at 40 mins. past 2 P. M. in

COUNTY OF _____)

SS. Book 70 of OFFICIAL RECORDS, page 514, RECORDS OF

EUREKA COUNTY, NEVADA.

WILLIS A. DePAOLI Recorder

File No. 68482

Fee \$ 3.00

I hereby certify that the within instrument was filed and recorded at the request of: _____

Witness my hand and official seal the day and year aforesaid.

FILE NO. _____

County Recorder

on _____

By _____
Deputy Recorder

at _____

Docket _____ Page _____

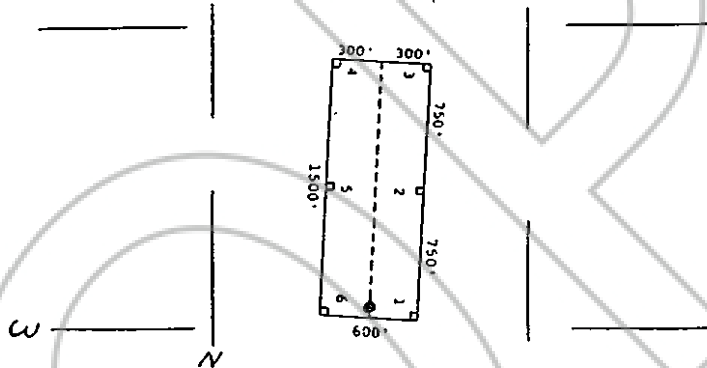
BOOK 70 PAGE 514

NOTICE IS HEREBY GIVEN that the SELRAT No. 33 lode mining claim has been located by AMSELCO MINERALS INC., a Delaware corporation, whose address is 1000 Bible Way, Suite 66, Reno, Nevada 89502. The general course of this claim is North 3 West. This claim is 1500 feet in length along the course of the claim, being 10 feet from the point of discovery in a N3°W direction to the North end line of this claim, and 1490 feet in a S3°E direction to the South end line of the claim. This claim is 600 feet in width, being 300 feet in width on each side of the center line of the claim.

This claim is located within the SW Quarter of Section 27, Township 18 North, Range 53 East, Mount Diablo Base and Meridian, Eureka Mining District, Eureka County, Nevada. The location ~~marker~~ of this claim is situated with reference to some natural object or permanent monument as follows: Corner No. 1 is located appx.: 1050 feet N 63° W of claim location marker SR1

The claim location marker SR1, a 3"x6" steel pipe, is located appx.: 1.93 mi N76°E from Gray's Peak; 2.50 mi N8°E from South Hill Peak; 0.55 mi S27°W from Surprise Peak.

The corners of this claim are marked by 4"x4" posts or 4" trees with metal tags inscribed with the appropriate corner number as shown on the following sketch and the accompanying claim map.



The location work consisted of making the maps as provided in NRS 517.040.

Dated and posted on the ground this 28 day of March, 1979.

Witnesses:

Locator:

AMSELCO MINERALS INC.

By [Signature]
Agent for
Amselco Minerals Inc.

STATE OF NEVADA)
) SS.
COUNTY OF _____)

RECORDED AT THE REQUEST OF Amselco Minerals Inc.
on June 8, 1979 at 40 mins. past 2 P.M. In
Book 70 of OFFICIAL RECORDS, page 515, RECORDS OF
EUREKA COUNTY, NEVADA. WILLIS A. DePAOLI Recorder
File No. 68483 Fee \$ 3.00

I hereby certify that the within instrument was filed and recorded at the request of: _____
FILE NO. _____
on _____
at _____
Docket _____ Page _____

Witness my hand and official seal the day and year aforesaid.

County Recorder

By _____
Deputy Recorder

BOOK 70 PAGE 515

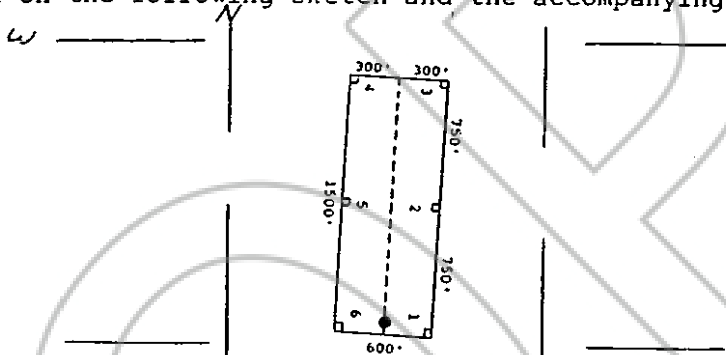
STATE OF NEVADA
CERTIFICATE OF MINING LOCATION
LODE CLAIM ON PUBLIC DOMAIN

NOTICE IS HEREBY GIVEN that the SEL RAT No. 34 lode mining claim has been located by AMSELCO MINERALS INC., a Delaware corporation, whose address is 1000 Bible Way, Suite 66, Reno, Nevada 89502. The general course of this claim is North 3° West. This claim is 1500 feet in length along the course of the claim, being 1490 feet from the point of discovery in a N3°W direction to the North end line of this claim, and 10 feet in a S3°E direction to the South end line of the claim. This claim is 600 feet in width, being 300 feet in width on each side of the center line of the claim.

This claim is located within the SW Quarter of Section 27, Township 18 North, Range 53 East, Mount Diablo Base and Meridian, Eureka Mining District, Eureka County, Nevada. The location ~~marker~~ of this claim is situated with reference to some natural object or permanent monument as follows: Corner No. 1 is located appx.: 1050 feet N 63° W of claim location marker SR1

The claim location marker SR1, a 3"x6' steel pipe, is located appx.: 1.93 mi N76°E from Gray's Peak; 2.50 mi N8°E from South Hill Peak; 0.55 mi S27°W from Surprise Peak.

The corners of this claim are marked by 4"x4" posts or 4" trees with metal tags inscribed with the appropriate corner number as shown on the following sketch and the accompanying claim map.



The location work consisted of making the maps as provided in NRS 517.040.

Dated and posted on the ground this 28 day of March, 1979.

Witnesses:

Locator:

AMSELCO MINERALS INC.

By [Signature]
Agent for
Amselco Minerals Inc.

STATE OF NEVADA)
COUNTY OF _____)

RECORDED AT THE REQUEST OF Amselco Minerals Inc.
on June 8, 19 79, at 40 mins. past 2 P.M. by
) ss. Book 70 of OFFICIAL RECORDS, page 516 RECORDS OF
) EUREKA COUNTY, NEVADA. WILLIS A. DeFAOLI Recorder
File No. 68484 Fee \$ 3.00

I hereby certify that the within instrument was filed and recorded at the request of: _____
FILE NO. _____
on _____
at _____
Docket _____ Page _____

Witness my hand and official seal the day and year aforesaid.

County Recorder

By _____
Deputy Recorder

BOOK 70 PAGE 516

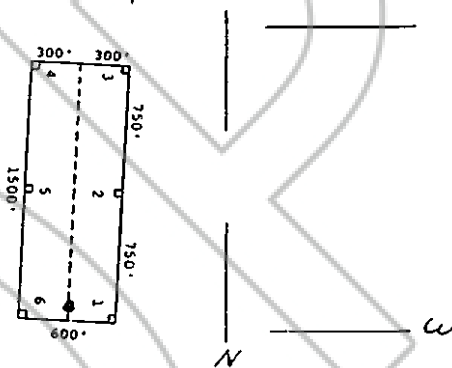
STATE OF NEVADA
CERTIFICATE OF MINING LOCATION
LODE CLAIM ON PUBLIC DOMAIN

NOTICE IS HEREBY GIVEN that the SELRAT No. 35 lode mining claim has been located by AMSELCO MINERALS INC., a Delaware corporation, whose address is 1000 Bible Way, Suite 66, Reno, Nevada 89502. The general course of this claim is North 3° West. This claim is 1500 feet in length along the course of the claim, being 10 feet from the point of discovery in a N3°W direction to the North end line of this claim, and 1490 feet in a S3°E direction to the South end line of the claim. This claim is 600 feet in width, being 300 feet in width on each side of the center line of the claim.

This claim is located within the SW Quarter of Section 27, Township 18 North, Range 53 East, Mount Diablo Base and Meridian, Eureka Mining District, Eureka County, Nevada. The location ~~monument~~ of this claim is situated with reference to some natural object or permanent monument as follows: Corner No. 1 is located appx.: 2200 feet N 77° W of claim location marker SRL

The claim location marker SRL, a 3"x6' steel pipe, is located appx.: 1.93 mi N76°E from Gray's Peak; 2.50 mi N8°E from South Hill Peak; 0.55 mi S27°W from Surprise Peak.

The corners of this claim are marked by 4"x4" posts or 4" trees with metal tags inscribed with the appropriate corner number as shown on the following sketch and the accompanying claim map.



The location work consisted of making the maps as provided in NRS 517.040.

Dated and posted on the ground this 28 day of March, 1979.

Witnesses:

Locator:

AMSELCO MINERALS INC.

By [Signature]
Agent for
Amselco Minerals Inc.

STATE OF NEVADA)

COUNTY OF _____)

RECORDED AT THE REQUEST OF Amselco Minerals Inc.
on June 8, 1979, at 40 mins. past 2 P.M. In
Book 70 of OFFICIAL RECORDS, page 517 RECORDS OF
EUREKA COUNTY, NEVADA. WILLIS A. DePAOLI Recorder
File No. 68485 Fee \$ 3.00

I hereby certify that the within instrument was filed and recorded at the request of: _____

FILE NO. _____
on _____
at _____
Docket _____ Page _____

Witness my hand and official seal the day and year aforesaid.

County Recorder

By _____
Deputy Recorder

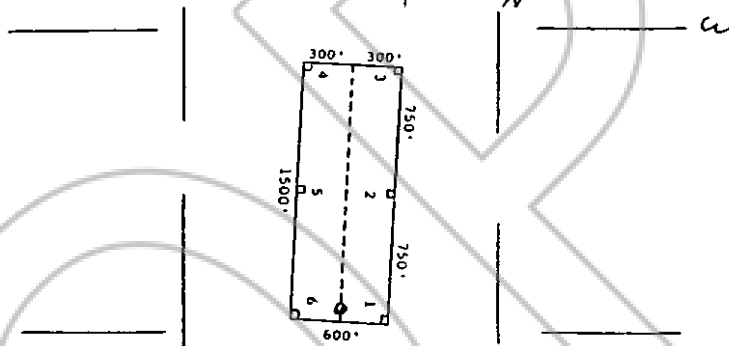
BOOK 70 PAGE 517

NOTICE IS HEREBY GIVEN that the SEL RAT No. 36 lode mining claim has been located by AMSELCO MINERALS INC., a Delaware corporation, whose address is 1000 Bible Way, Suite 66, Reno, Nevada 89502. The general course of this claim is North 3° West. This claim is 1500 feet in length along the course of the claim, being 1490 feet from the point of discovery in a N3°W direction to the North end line of this claim, and 10 feet in a S3°E direction to the South end line of the claim. This claim is 600 feet in width, being 300 feet in width on each side of the center line of the claim.

This claim is located within the SW Quarter of Section 27, Township 18 North, Range 53 East, Mount Diablo Base and Meridian, Eureka Mining District, Eureka County, Nevada. The location ~~marker~~ of this claim is situated with reference to some natural object or permanent monument as follows: Corner No. 1 is located appx.: 2200 feet N 77° W of claim location marker SRI

The claim location marker SRI, a 3"x6" steel pipe, is located appx.: 1.93 mi N76°E from Gray's Peak; 2.50 mi N8°E from South Hill Peak; 0.55 mi S27°W from Surprise Peak.

The corners of this claim are marked by 4"x4" posts or 4" trees with metal tags inscribed with the appropriate corner number as shown on the following sketch and the accompanying claim map.



The location work consisted of making the maps as provided in NRS 517.040.

Dated and posted on the ground this 28 day of March, 1979.

Witnesses:

Locator:

AMSELCO MINERALS INC.

By [Signature]
Agent for
Amselco Minerals Inc.

STATE OF NEVADA)
COUNTY OF _____)

RECORDED AT THE REQUEST OF Amselco Minerals Inc.
on June 8, 1979, at 40 mins. past 2 P.M. in
) ss. Book 70 of OFFICIAL RECORDS, page 518, RECORDS OF
EUREKA COUNTY, NEVADA. WILLIS A. DePAOLI Recorder
File No. 68486 Fee \$ 3.00

I hereby certify that the within instrument was filed and recorded at the request of: _____
FILE NO. _____
on _____
at _____
Docket _____ Page _____

Witness my hand and official seal the day and year aforesaid.

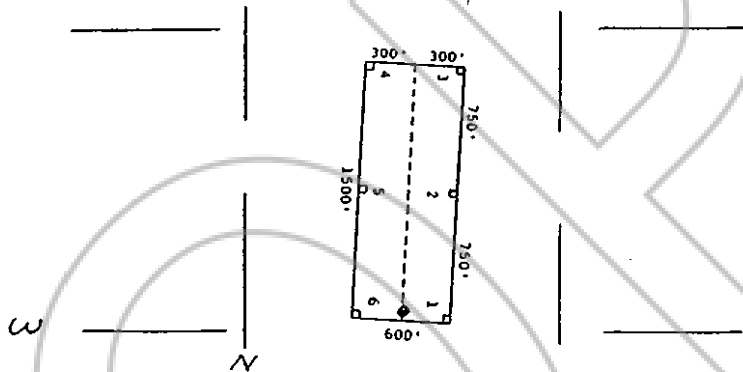
County Recorder
By _____
Deputy Recorder

NOTICE IS HEREBY GIVEN that the SELRAT No. 37 lode mining claim has been located by AMSELCO MINERALS INC., a Delaware corporation, whose address is 1000 Bible Way, Suite 66, Reno, Nevada 89502. The general course of this claim is North 3 West. This claim is 1500 feet in length along the course of the claim, being 10 feet from the point of discovery in a N3°W direction to the North end line of this claim, and 1490 feet in a S3°E direction to the South end line of the claim. This claim is 600 feet in width, being 300 feet in width on each side of the center line of the claim.

This claim is located within the SW Quarter of Section 27, Township 18 North, Range 53 East, Mount Diablo Base and Meridian, Eureka Mining District, Eureka County, Nevada. The location monument of this claim is situated with reference to some natural object or permanent monument as follows: Corner No. 1 is located appx.: 2200 feet N 77° W of claim location marker SRL

The claim location marker SRL, a 3"x6' steel pipe, is located appx.: 1.93 mi N76°E from Gray's Peak; 2.50 mi N8°E from South Hill Peak; 0.55 mi S27°W from Surprise Peak.

The corners of this claim are marked by 4"x4" posts or 4" trees with metal tags inscribed with the appropriate corner number as shown on the following sketch and the accompanying claim map.



The location work consisted of making the maps as provided in NRS 517.040.

Dated and posted on the ground this 28 day of March, 1979.

Witnesses:

Locator:

AMSELCO MINERALS INC.

By [Signature]
Agent for
Amselco Minerals Inc.

STATE OF NEVADA

COUNTY OF _____

RECORDED AT THE REQUEST OF Amselco Minerals Inc.
on June 8, 1979 at 40 mins. past 2 P.M. in
) ss. Book 70 of OFFICIAL RECORDS, page 519, RECORDS OF
) EUREKA COUNTY, NEVADA. WILLIS A. DePAOLI Recorder
File No. 68487 Fee \$ 3.00

I hereby certify that the within instrument was filed and recorded at the request of:

FILE NO. _____
on _____
at _____
Docket _____ Page _____

Witness my hand and official seal the day and year aforesaid.

County Recorder

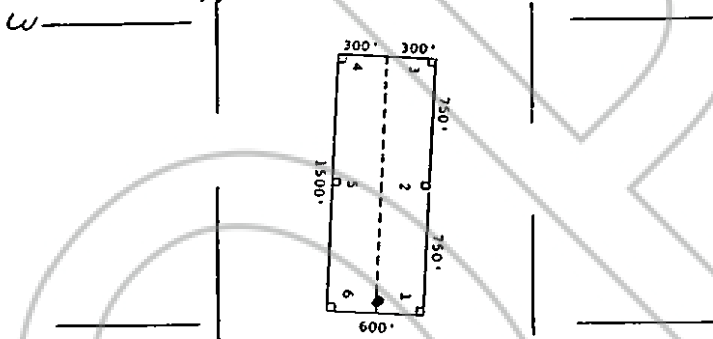
By _____
Deputy Recorder

NOTICE IS HEREBY GIVEN that the SELRAT No. 38 lode mining claim has been located by AMSELCO MINERALS INC., a Delaware corporation, whose address is 1000 Bible Way, Suite 66, Reno, Nevada 89502. The general course of this claim is North 3 West. This claim is 1500 feet in length along the course of the claim, being 1490 feet from the point of discovery in a N3°W direction to the North end line of this claim, and 10 feet in a S3°E direction to the South end line of the claim. This claim is 600 feet in width, being 300 feet in width on each side of the center line of the claim.

This claim is located within the SW Quarter of Section 27, Township 18 North, Range 53 East, Mount Diablo Base and Meridian, Eureka Mining District, Eureka County, Nevada. The location ~~XXXXXXXX~~ of this claim is situated with reference to some natural object or permanent monument as follows: Corner No. 1 is located appx.: 2200 feet N 77°W of claim location marker SR1

The claim location marker SR1, a 3"x6" steel pipe, is located appx.: 1.93 mi N76°E from Gray's Peak; 2.50 mi N8°E from South Hill Peak; 0.55 mi S27°W from Surprise Peak.

The corners of this claim are marked by 4"x4" posts or 4" trees with metal tags inscribed with the appropriate corner number as shown on the following sketch and the accompanying claim map.



The location work consisted of making the maps as provided in NRS 517.040.

Dated and posted on the ground this 28 day of March, 1979.

Witnesses:

Locator:

AMSELCO MINERALS INC.

By [Signature]
Agent for
Amselco Minerals Inc.

STATE OF NEVADA

COUNTY OF _____

RECORDED AT THE REQUEST OF Amselco Minerals Inc.,
) on June 8, 19 79 at 40 mins. past 2 P. M. hr.
) SS. Book 70 of OFFICIAL RECORDS, page 520, RECORDS OF
) EUREKA COUNTY, NEVADA WILLIS A. DeFAOLI Recorder
File No. 68488 Fee \$ 3.00

I hereby certify that the within instrument was filed and recorded at the request of:

FILE NO. _____
on _____
at _____
Docket _____ Page _____

Witness my hand and official seal the day and year aforesaid.

County Recorder

By _____
Deputy Recorder

BOOK 70 PAGE 520

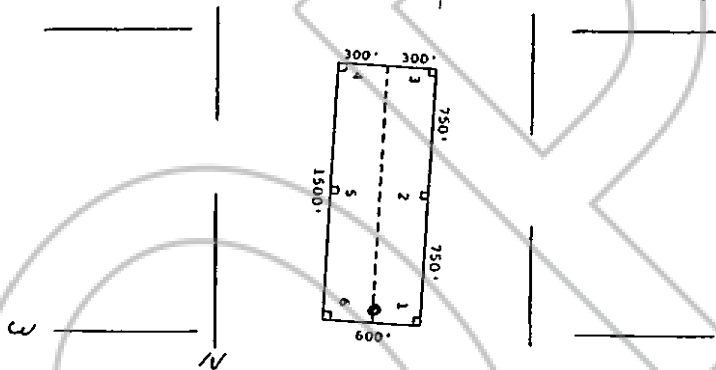
STATE OF NEVADA
CERTIFICATE OF MINING LOCATION
LODE CLAIM ON PUBLIC DOMAIN

NOTICE IS HEREBY GIVEN that the SEL RAT No. 39 lode mining claim has been located by AMSELCO MINERALS INC., a Delaware corporation, whose address is 1000 Bible Way, Suite 66, Reno, Nevada 89502. The general course of this claim is North 3 West. This claim is 1500 feet in length along the course of the claim, being 10 feet from the point of discovery in a N3⁰W direction to the North end line of this claim, and 1490 feet in a S3⁰E direction to the South end line of the claim. This claim is 600 feet in width, being 300 feet in width on each side of the center line of the claim.

This claim is located within the NE Quarter of Section 27, Township 18 North, Range 53 East, Mount Diablo Base and Meridian, Eureka Mining District, Eureka County, Nevada. The location ~~monument~~ of this claim is situated with reference to some natural object or permanent monument as follows: Corner No. 1 is located appx.: 3500 feet N 6⁰ E of claim location marker SRI

The claim location marker SRI, a 3"x6' steel pipe, is located appx.: 1.93 mi N76⁰E from Gray's Peak; 2.50 mi N8⁰E from South Hill Peak; 0.55 mi S27⁰W from Surprise Peak.

The corners of this claim are marked by 4"x4" posts or 4" trees with metal tags inscribed with the appropriate corner number as shown on the following sketch and the accompanying claim map.



The location work consisted of making the maps as provided in NRS 517.040.

Dated and posted on the ground this 28 day of March, 1979.

Witnesses:

Locator:

AMSELCO MINERALS INC.

By [Signature]
Agent for
Amselco Minerals Inc.

STATE OF NEVADA)
COUNTY OF _____)

RECORDED AT THE REQUEST OF Amselco Minerals Inc.,
on June 8, 1979 at 40 mins. past 2 P.M. in
) ss. 70 of OFFICIAL RECORDS, page 521, RECORDS OF
EUREKA COUNTY, NEVADA WILLIS A. DePAOLI Recorder
File No. 68489 Fee \$ 3.00

I hereby certify that the within instrument was filed and recorded at the request of: _____
FILE NO. _____
on _____
at _____
Docket _____ Page _____

Witness my hand and official seal the day and year aforesaid.

County Recorder

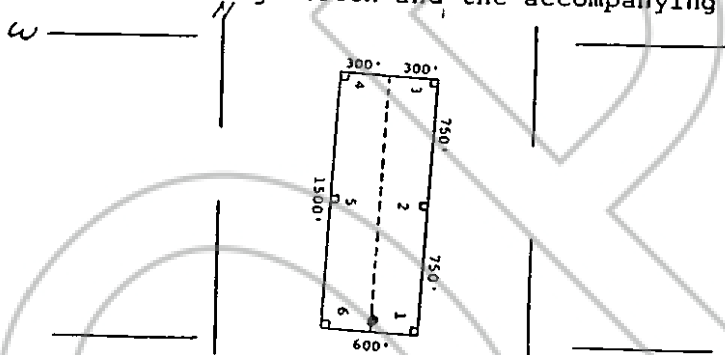
By _____
Deputy Recorder

NOTICE IS HEREBY GIVEN that the SEL RAT No. 40 lode mining claim has been located by AMSELCO MINERALS INC., a Delaware corporation, whose address is 1000 Bible Way, Suite 66, Reno, Nevada 89502. The general course of this claim is North 3 West. This claim is 1500 feet in length along the course of the claim, being 1490 feet from the point of discovery in a N3 W direction to the North end line of this claim, and 10 feet in a S3 E direction to the South end line of the claim. This claim is 600 feet in width, being 300 feet in width on each side of the center line of the claim.

This claim is located within the NE Quarter of Section 27, Township 18 North, Range 53 East, Mount Diablo Base and Meridian, Eureka Mining District, Eureka County, Nevada. The location ~~XXXXXXXX~~ of this claim is situated with reference to some natural object or permanent monument as follows: Corner No. 1 is located appx.: 3500 feet N 6° E of claim location marker SR1

The claim location marker SR1, a 3"x6' steel pipe, is located appx.: 1.93 mi N76° E from Gray's Peak; 2.50 mi N8° E from South Hill Peak; 0.55 mi S27° W from Surprise Peak.

The corners of this claim are marked by 4"x4" posts or 4" trees with metal tags inscribed with the appropriate corner number as shown on the following sketch and the accompanying claim map.



The location work consisted of making the maps as provided in NRS 517.040.

Dated and posted on the ground this 28 day of March, 1979.

Witnesses:

Locator:

AMSELCO MINERALS INC.

By [Signature]
Agent for
Amselco Minerals Inc.

STATE OF NEVADA)
COUNTY OF _____)

RECORDED AT THE REQUEST OF Amselco Minerals Inc.,
on June 8, 1979, at 40 mins. past 2 P. M. by
Book 70 of OFFICIAL RECORDS, page 522, RECORDS OF
EUREKA COUNTY, NEVADA WILLIS A. DePAOLI Recorder
File No. 68490 Fee \$ 3.00

I hereby certify that the within instrument was filed and recorded at the request of: _____
FILE NO. _____
on _____
at _____
Docket _____ Page _____

Witness my hand and official seal the day and year aforesaid.

County Recorder _____

By _____
Deputy Recorder

BOOK 70 PAGE 522

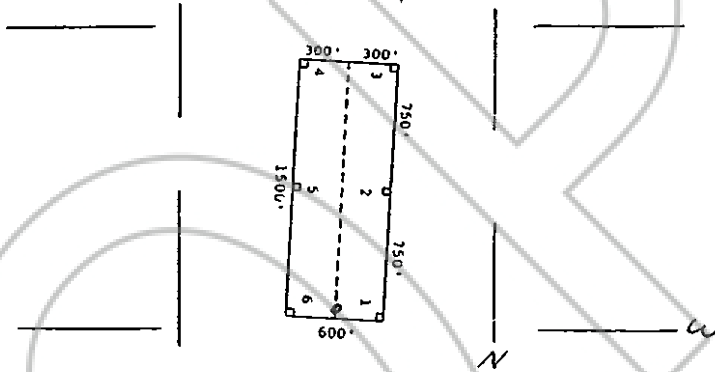
STATE OF NEVADA
CERTIFICATE OF MINING LOCATION
LODE CLAIM ON PUBLIC DOMAIN

NOTICE IS HEREBY GIVEN that the SELRAT No. 41 lode mining claim has been located by AMSELCO MINERALS INC., a Delaware corporation, whose address is 1000 Bible Way, Suite 66, Reno, Nevada 89502. The general course of this claim is North 3 West. This claim is 1500 feet in length along the course of the claim, being 10 feet from the point of discovery in a N3°W direction to the North end line of this claim, and 1490 feet in a S3°E direction to the South end line of the claim. This claim is 600 feet in width, being 300 feet in width on each side of the center line of the claim.

This claim is located within the 1/4 E Quarter of Section 27, Township 18 North, Range 53 East, Mount Diablo Base and Meridian, Eureka Mining District, Eureka County, Nevada. The location ~~monument~~ of this claim is situated with reference to some natural object or permanent monument as follows: Corner No. 1 is located appx.: 3600 feet N 14° W of claim location marker SRI

The claim location marker SRI, a 3"x6" steel pipe, is located appx.: 1.93 mi N76°E from Gray's Peak; 2.50 mi N8°E from South Hill Peak; 0.55 mi S27°W from Surprise Peak.

The corners of this claim are marked by 4"x4" posts or 4" trees with metal tags inscribed with the appropriate corner number as shown on the following sketch and the accompanying claim map.



The location work consisted of making the maps as provided in NRS 517.040.

Dated and posted on the ground this 28 day of March, 1979.

Witnesses:

Locator:

AMSELCO MINERALS INC.

By [Signature]
Agent for
Amselco Minerals Inc.

STATE OF NEVADA)
COUNTY OF _____)

RECORDED AT THE REQUEST OF Amselco Minerals Inc.,
on June 8, 19 79, at 40 mins. past 2 P.M. in
ss. Book 70 of OFFICIAL RECORDS, page 523, RECORDS OF
EUREKA COUNTY, NEVADA. WILLIS A. DePAOLI Recorder
File No. 68491 Fee \$ 3.00

I hereby certify that the within instrument was filed and recorded at the request of:

Witness my hand and official seal the day and year aforesaid.

FILE NO. _____
on _____
at _____
Docket _____ Page _____

County Recorder
By _____
Deputy Recorder

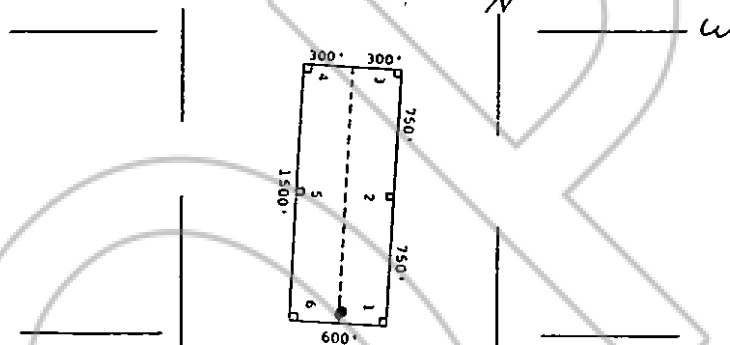
STATE OF NEVADA
CERTIFICATE OF MINING LOCATION
LODE CLAIM ON PUBLIC DOMAIN

NOTICE IS HEREBY GIVEN that the SEL RAT No. 42 lode mining claim has been located by AMSELCO MINERALS INC., a Delaware corporation, whose address is 1000 Bible Way, Suite 66, Reno, Nevada 89502. The general course of this claim is North 3 West. This claim is 1500 feet in length along the course of the claim, being 1490 feet from the point of discovery in a N3 W direction to the North end line of this claim, and 10 feet in a S3 E direction to the South end line of the claim. This claim is 600 feet in width, being 300 feet in width on each side of the center line of the claim.

This claim is located within the NE Quarter of Section 27, Township 18 North, Range 53 East, Mount Diablo Base and Meridian, Eureka Mining District, Eureka County, Nevada. The location ~~monument~~ of this claim is situated with reference to some natural object or permanent monument as follows: Corner No. 1 is located appx.: 3600 feet N 14 W of claim location marker SR1

The claim location marker SR1, a 3"x6' steel pipe, is located appx.: 1.93 mi N76°E from Gray's Peak; 2.50 mi N8°E from South Hill Peak; 0.55 mi S27°W from Surprise Peak.

The corners of this claim are marked by 4"x4" posts or 4" trees with metal tags inscribed with the appropriate corner number as shown on the following sketch and the accompanying claim map.



The location work consisted of making the maps as provided in NRS 517.040.

Dated and posted on the ground this 28 day of March, 1979.

Witnesses:

Locator:

AMSELCO MINERALS INC.

By [Signature]
Agent for
Amselco Minerals Inc.

STATE OF NEVADA)
COUNTY OF _____)

RECORDED AT THE REQUEST OF Amselco Minerals Inc.,
on June 8, 19 79 at 40 mins. past 2 P.M. In
) SS. Book 70 of OFFICIAL RECORDS, page 524, RECORDS OF
EUREKA COUNTY, NEVADA. WILLIS A. DePAOLI Recorder
File No. 68492 Fee \$3.00

I hereby certify that the within instrument was filed and recorded at the request of:

FILE NO. _____
on _____
at _____
Docket _____ Page _____

Witness my hand and official seal the day and year aforesaid.

County Recorder

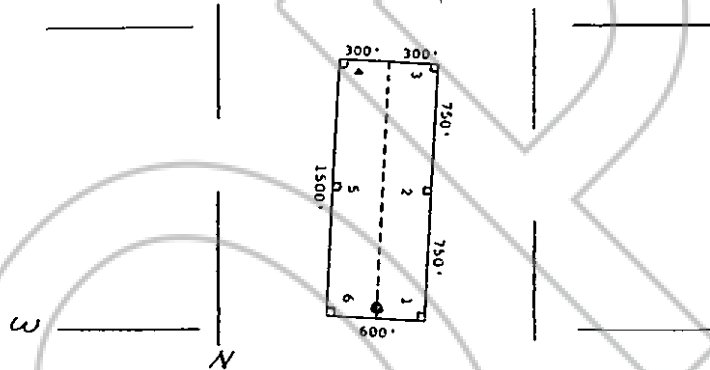
By _____
Deputy Recorder

NOTICE IS HEREBY GIVEN that the SEL RAT No. 43 lode mining claim has been located by AMSELCO MINERALS INC., a Delaware corporation, whose address is 1000 Bible Way, Suite 66, Reno, Nevada 89502. The general course of this claim is North 3 West. This claim is 1500 feet in length along the course of the claim, being 10 feet from the point of discovery in a N3 W direction to the North end line of this claim, and 1790 feet in a S3 E direction to the South end line of the claim. This claim is 600 feet in width, being 300 feet in width on each side of the center line of the claim.

This claim is located within the NW Quarter of Section 27, Township 18 North, Range 53 East, Mount Diablo Base and Meridian, Eureka Mining District, Eureka County, Nevada. The location ~~document~~ of this claim is situated with reference to some natural object or permanent monument as follows: Corner No. 1 is located appx.: 3600 feet N 14° W of claim location marker SR1

The claim location marker SR1, a 3"x6' steel pipe, is located appx.: 1.93 mi N76° E from Gray's Peak; 2.50 mi N8° E from South Hill Peak; 0.55 mi S27° W from Surprise Peak.

The corners of this claim are marked by 4"x4" posts or 4" trees with metal tags inscribed with the appropriate corner number as shown on the following sketch and the accompanying claim map.



The location work consisted of making the maps as provided in NRS 517.040.

Dated and posted on the ground this 28 day of March, 1979.

Witnesses:

Locator:

AMSELCO MINERALS INC.

By [Signature]
Agent for
Amselco Minerals Inc.

RECORDED AT THE REQUEST OF Amselco Minerals Inc.

STATE OF NEVADA)

COUNTY OF _____)

on June 8, 1979, at 40 mins. past 2 P.M. in
) SS. Book 70 of OFFICIAL RECORDS, page 525, RECORDS OF
EUREKA COUNTY, NEVADA. WILLIS A. DePAOLI Recorder
File No. 68493 Fee \$ 3.00

I hereby certify that the within instrument was filed and recorded at the request of: _____

FILE NO. _____
on _____
at _____
Docket _____ Page _____

Witness my hand and official seal the day and year aforesaid.

County Recorder

By _____
Deputy Recorder

BOOK 70 PAGE 525

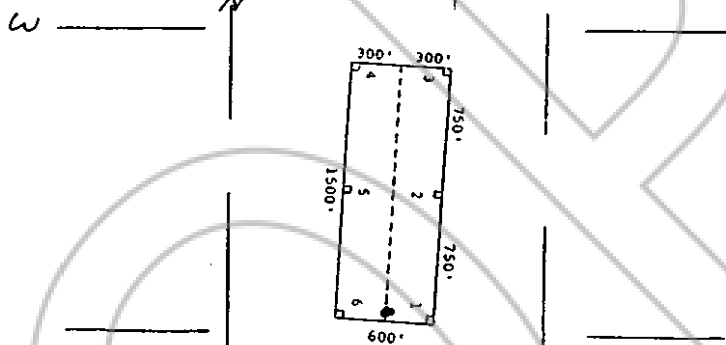
STATE OF NEVADA
CERTIFICATE OF MINING LOCATION
LODE CLAIM ON PUBLIC DOMAIN

NOTICE IS HEREBY GIVEN that the SELRAT No. 74 lode mining claim has been located by AMSELCO MINERALS INC., a Delaware corporation, whose address is 1000 Bible Way, Suite 66, Reno, Nevada 89502. The general course of this claim is North 3 West. This claim is 1500 feet in length along the course of the claim, being 1490 feet from the point of discovery in a N3°W direction to the North end line of this claim, and 10 feet in a S3°E direction to the South end line of the claim. This claim is 600 feet in width, being 300 feet in width on each side of the center line of the claim.

This claim is located within the NW Quarter of Section 27, Township 18 North, Range 53 East, Mount Diablo Base and Meridian, Eureka Mining District, Eureka County, Nevada. The location monument of this claim is situated with reference to some natural object or permanent monument as follows: Corner No. 1 is located appx.: 3600 feet N 14°W of claim location marker SR1

The claim location marker SR1, a 3"x6' steel pipe, is located appx.: 1.93 mi N76°E from Gray's Peak; 2.50 mi N8°E from South Hill Peak; 0.55 mi S27°W from Surprise Peak.

The corners of this claim are marked by 4"x4" posts or 4" trees with metal tags inscribed with the appropriate corner number as shown on the following sketch and the accompanying claim map.



The location work consisted of making the maps as provided in NRS 517.040.

Dated and posted on the ground this 28 day of March, 1979.

Witnesses:

Locator:

AMSELCO MINERALS INC.

By [Signature]
Agent for
Amselco Minerals Inc.

STATE OF NEVADA)
COUNTY OF _____)

RECORDED AT THE REQUEST OF Amselco Minerals Inc.,
on June 8, 19 79, at 40 mins. past 2 P.M. In
) ss. Book 70 of OFFICIAL RECORDS, page 526 RECORDS OF
) EUREKA COUNTY, NEVADA. WILLIS A. DePAOLI Recorder
File No. 68494 Fee \$ 3.00

I hereby certify that the within instrument was filed and recorded at the request of: _____

Witness my hand and official seal the day and year aforesaid.

FILE NO. _____
on _____
at _____
Docket _____ Page _____

County Recorder _____

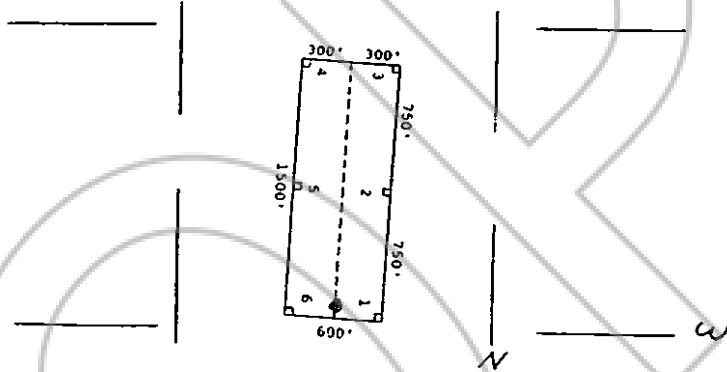
By _____
Deputy Recorder

NOTICE IS HEREBY GIVEN that the SELRAT No. 75 lode mining claim has been located by AMSELCO MINERALS INC., a Delaware corporation, whose address is 1000 Bible Way, Suite 66, Reno, Nevada 89502. The general course of this claim is North 30 West. This claim is 1500 feet in length along the course of the claim, being 10 feet from the point of discovery in a N30W direction to the North end line of this claim, and 1490 feet in a S3E direction to the South end line of the claim. This claim is 600 feet in width, being 300 feet in width on each side of the center line of the claim.

This claim is located within the NW Quarter of Section 27, Township 18 North, Range 53 East, Mount Diablo Base and Meridian, Eureka Mining District, Eureka County, Nevada. The location monument of this claim is situated with reference to some natural object or permanent monument as follows: Corner No. 1 is located appx.: 4100 feet N 30 W of claim location marker SR1

The claim location marker SR1, a 3"x6" steel pipe, is located appx.: 1.93 mi N76 E from Gray's Peak; 2.50 mi N8 E from South Hill Peak; 0.55 mi S27 W from Surprise Peak.

The corners of this claim are marked by 4"x4" posts or 4" trees with metal tags inscribed with the appropriate corner number as shown on the following sketch and the accompanying claim map.



The location work consisted of making the maps as provided in NRS 517.040.

Dated and posted on the ground this 28 day of March 1979.

Witnesses:

Locator:

AMSELCO MINERALS INC.

By [Signature]
Agent for
Amselco Minerals Inc.

STATE OF NEVADA)
COUNTY OF _____)

RECORDED AT THE REQUEST OF Amselco Minerals Inc.,
on June 8, 19 79 at 40 mins. past 2 P.M. in
Book 70 of OFFICIAL RECORDS, page 527, RECORDS OF
EUREKA COUNTY, NEVADA. WILLIS A. DePAOLI Recorder
File No. 68495 Fee \$ 3.00

I hereby certify that the within instrument was filed and recorded at the request of:

FILE NO. _____
on _____
at _____
Docket _____ Page _____

Witness my hand and official seal the day and year aforesaid.

County Recorder _____

By _____
Deputy Recorder

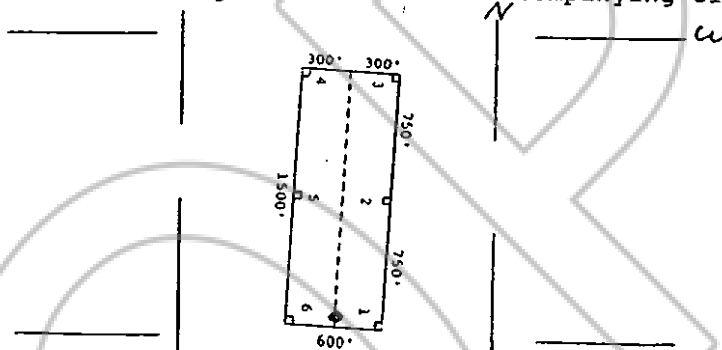
BOOK 70 PAGE 527

NOTICE IS HEREBY GIVEN that the SELRAT No. 76 lode mining claim has been located by AMSELCO MINERALS INC., a Delaware corporation, whose address is 1000 Bible Way, Suite 66, Reno, Nevada 89502. The general course of this claim is North 3 West. This claim is 1500 feet in length along the course of the claim, being 1490 feet from the point of discovery in a N3 W direction to the North end line of this claim, and 10 feet in a S3 E direction to the South end line of the claim. This claim is 600 feet in width, being 300 feet in width on each side of the center line of the claim.

This claim is located within the NW Quarter of Section 27, Township 18 North, Range 53 East, Mount Diablo Base and Meridian, Eureka Mining District, Eureka County, Nevada. The location monument of this claim is situated with reference to some natural object or permanent monument as follows: Corner No. 1 is located appx.: 4100 feet N 30 W of claim location marker SRI

The claim location marker SRI, a 3"x6' steel pipe, is located appx.: 1.93 mi N76 E from Gray's Peak; 2.50 mi N8 E from South Hill Peak; 0.55 mi S27 W from Surprise Peak.

The corners of this claim are marked by 4"x4" posts or 4" trees with metal tags inscribed with the appropriate corner number as shown on the following sketch and the accompanying claim map.



The location work consisted of making the maps as provided in NRS 517.040.

Dated and posted on the ground this 28 day of March, 1979.

Witnesses:

Locator:

AMSELCO MINERALS INC.

By [Signature]
Agent for
Amselco Minerals Inc.

STATE OF NEVADA)
COUNTY OF _____)

RECORDED AT THE REQUEST OF Amselco Minerals Inc.,
on June 8, 1979, at 40 mins. past 2 P.M. in
Book 70 of OFFICIAL RECORDS, page 528, RECORDS OF
EUREKA COUNTY, NEVADA WILLIS A. DePAOLI Recorder
File No. 68496 Fee \$ 3.00

I hereby certify that the within instrument was filed and recorded at the request of:

FILE NO. _____
on _____
at _____
Docket _____ Page _____

Witness my hand and official seal the day and year aforesaid.

County Recorder _____

By _____
Deputy Recorder

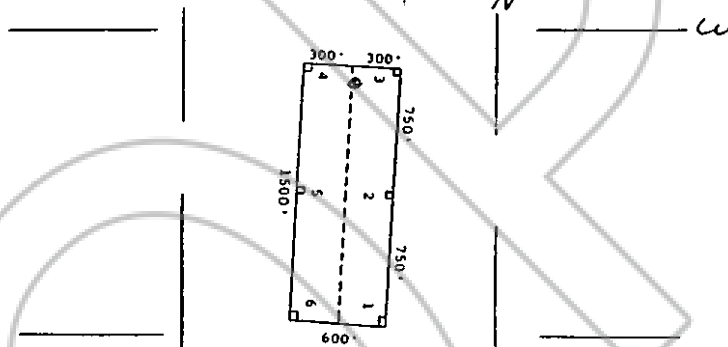
STATE OF NEVADA
CERTIFICATE OF MINING LOCATION
LODE CLAIM ON PUBLIC DOMAIN

NOTICE IS HEREBY GIVEN that the SELRAT No. 47 lode mining claim has been located by AMSELCO MINERALS INC., a Delaware corporation, whose address is 1000 Bible Way, Suite 66, Reno, Nevada 89502. The general course of this claim is North 3 West. This claim is 1500 feet in length along the course of the claim, being 10 feet from the point of discovery in a N3 W direction to the North end line of this claim, and 1490 feet in a S3 E direction to the South end line of the claim. This claim is 600 feet in width, being 300 feet in width on each side of the center line of the claim.

This claim is located within the SE Quarter of Section 21, Township 18 North, Range 53 East, Mount Diablo Base and Meridian, Eureka Mining District, Eureka County, Nevada. The location ~~monument~~ of this claim is situated with reference to some natural object or permanent monument as follows: Corner No. 1 is located appx.: 7500 feet N 45° of claim location marker SR1

The claim location marker SR1, a 3"x6' steel pipe, is located appx.: 1.93 mi N76°E from Gray's Peak; 2.50 mi N8°E from South Hill Peak; 0.55 mi S27°W from Surprise Peak.

The corners of this claim are marked by 4"x4" posts or 4" trees with metal tags inscribed with the appropriate corner number as shown on the following sketch and the accompanying claim map.



The location work consisted of making the maps as provided in NRS 517.040.

Dated and posted on the ground this 28 day of March, 1979.

Witnesses:

Locator:

AMSELCO MINERALS INC.

By [Signature]
Agent for
Amselco Minerals Inc.

STATE OF NEVADA)

COUNTY OF _____)

RECORDED AT THE REQUEST OF Amselco Minerals Inc.,
on June 8, 1979, at 40 mins. past 2 P.M. In
) ss. Book 70 of OFFICIAL RECORDS, page 529, RECORDS OF
EUREKA COUNTY, NEVADA. WILLIS A. DePAOLI Recorder
File No. 68497 Fee \$ 3.00

I hereby certify that the within instrument was filed and recorded at the request of: _____

FILE NO. _____
on _____
at _____
Docket _____ Page _____

Witness my hand and official seal the day and year aforesaid.

County Recorder

By _____
Deputy Recorder

BOOK 70 PAGE 529

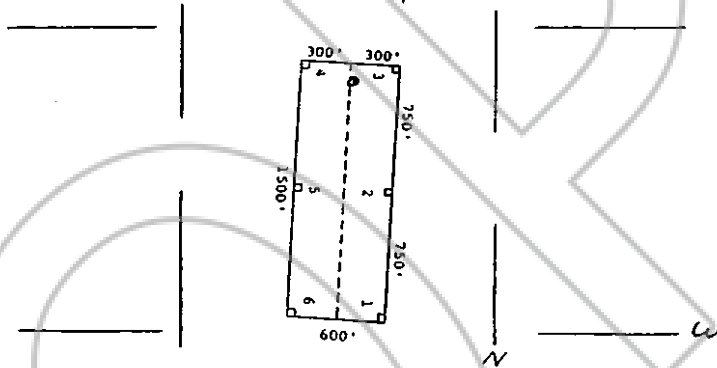
STATE OF NEVADA
CERTIFICATE OF MINING LOCATION
LODE CLAIM ON PUBLIC DOMAIN

NOTICE IS HEREBY GIVEN that the SELRAT No. 78 lode mining claim has been located by AMSELCO MINERALS INC., a Delaware corporation, whose address is 1000 Bible Way, Suite 66, Reno, Nevada 89502. The general course of this claim is North 3 West. This claim is 1500 feet in length along the course of the claim, being 1490 feet from the point of discovery in a N3°W direction to the North end line of this claim, and 10 feet in a S3°E direction to the South end line of the claim. This claim is 600 feet in width, being 300 feet in width on each side of the center line of the claim.

This claim is located within the SE Quarter of Section 21, Township 18 North, Range 53 East, Mount Diablo Base and Meridian, Eureka Mining District, Eureka County, Nevada. The location ~~document~~ of this claim is situated with reference to some natural object or permanent monument as follows: Corner No. 1 is located appx.: 7900 feet N 28° W of claim location marker SR1

The claim location marker SR1, a 3"x6' steel pipe, is located appx.: 1.93 mi N76°E from Gray's Peak; 2.50 mi N8°E from South Hill Peak; 0.55 mi S27°W from Surprise Peak.

The corners of this claim are marked by 4"x4" posts or 4" trees with metal tags inscribed with the appropriate corner number as shown on the following sketch and the accompanying claim map.



The location work consisted of making the maps as provided in NRS 517.040.

Dated and posted on the ground this 28 day of March, 1979.

Witnesses:

Locator:

AMSELCO MINERALS INC.

By [Signature]
Agent for
Amselco Minerals Inc.

STATE OF NEVADA)
COUNTY OF _____)

RECORDED AT THE REQUEST OF Amselco Minerals Inc.,
on June 8, 19 79, at 40 mins. past 2 P.M. in
) ss. Book 70 of OFFICIAL RECORDS, page 530, RECORDS OF
) EUREKA COUNTY, NEVADA. WILLIS A. DePAOLI Recorder
File No. 68498 Fee \$ 3.00

I hereby certify that the within instrument was filed and recorded at the request of: _____
FILE NO. _____
on _____
at _____
Docket _____ Page _____

Witness my hand and official seal the day and year aforesaid.

County Recorder

By _____
Deputy Recorder

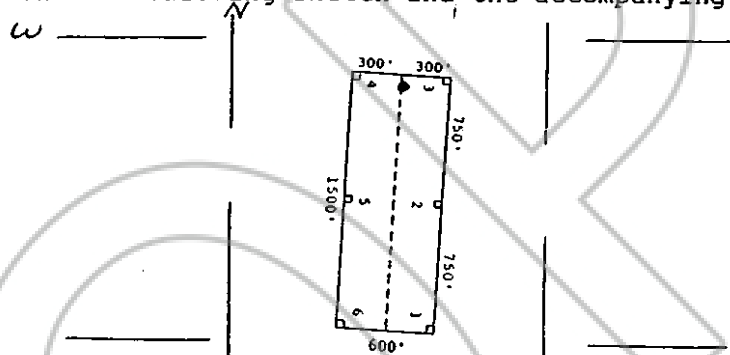
STATE OF NEVADA
CERTIFICATE OF MINING LOCATION
LODE CLAIM ON PUBLIC DOMAIN

NOTICE IS HEREBY GIVEN that the SELRAT No. 79 lode mining claim has been located by AMSELCO MINERALS INC., a Delaware corporation, whose address is 1000 Bible Way, Suite 66, Reno, Nevada 89502. The general course of this claim is North 3 West. This claim is 1500 feet in length along the course of the claim, being 10 feet from the point of discovery in a N30W direction to the North end line of this claim, and 1490 feet in a S3E direction to the South end line of the claim. This claim is 600 feet in width, being 300 feet in width on each side of the center line of the claim.

This claim is located within the SE Quarter of Section 21, Township 18 North, Range 53 East, Mount Diablo Base and Meridian, Eureka Mining District, Eureka County, Nevada. The location ~~movement~~ of this claim is situated with reference to some natural object or permanent monument as follows: Corner No. 1 is located appx.: 7500 feet N45°W of claim location marker SR1

The claim location marker SR1, a 3"x6" steel pipe, is located appx.: 1.93 mi N76°E from Gray's Peak; 2.50 mi N8°E from South Hill Peak; 0.55 mi S27°W from Surprise Peak.

The corners of this claim are marked by 4"x4" posts or 4" trees with metal tags inscribed with the appropriate corner number as shown on the following sketch and the accompanying claim map.



The location work consisted of making the maps as provided in NRS 517.040.

Dated and posted on the ground this 28 day of March, 1979.

Witnesses:

Locator:

AMSELCO MINERALS INC.

By [Signature]
Agent for
Amselco Minerals Inc.

STATE OF NEVADA)
COUNTY OF _____)

RECORDED AT THE REQUEST OF Amselco Minerals Inc.
on June 8, 19 79, at 40 mins. past 2 P.M. in
Book 70 of OFFICIAL RECORDS, page 531, RECORDS OF
EUREKA COUNTY, NEVADA WILLIS A. DePAOLI Recorder
File No. 68499 Fee \$ 3.00

I hereby certify that the within instrument was filed and recorded at the request of: _____

FILE NO. _____
on _____
at _____
Docket _____ Page _____

Witness my hand and official seal the day and year aforesaid.

County Recorder

By _____
Deputy Recorder

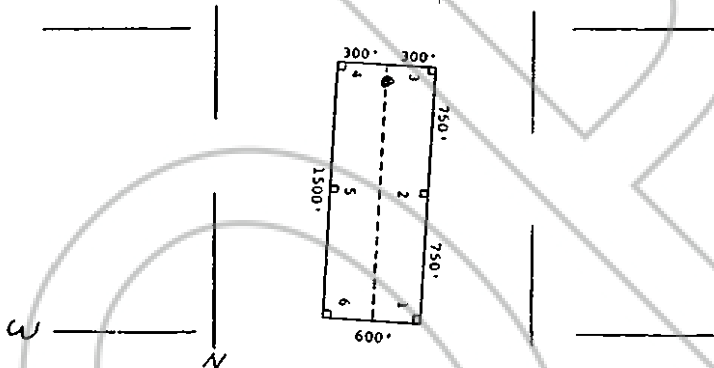
STATE OF NEVA
CERTIFICATE OF MINING LOCATION
LODE CLAIM ON PUBLIC DOMAIN

NOTICE IS HEREBY GIVEN that the SELRAT No. 50 lode mining claim has been located by ANSELCO MINERALS INC., a Delaware corporation, whose address is 1000 Bible Way, Suite 66, Reno, Nevada 89502. The general course of this claim is North 3 West. This claim is 1500 feet in length along the course of the claim, being 1490 feet from the point of discovery in a N3°W direction to the North end line of this claim, and 10 feet in a S3°E direction to the South end line of the claim. This claim is 600 feet in width, being 300 feet in width on each side of the center line of the claim.

This claim is located within the SE Quarter of Section 21, Township 18 North, Range 53 East, Mount Diablo Base and Meridian, Eureka Mining District, Eureka County, Nevada. The location monument of this claim is situated with reference to some natural object or permanent monument as follows: Corner No. 1 is located appx.: 79.50 feet N 28° W of claim location marker SR1

The claim location marker SR1, a 3"x6' steel pipe, is located appx.: 1.93 mi N76°E from Gray's Peak; 2.50 mi N8°E from South Hill Peak; 0.55 mi S27°W from Surprise Peak.

The corners of this claim are marked by 4"x4" posts or 4" trees with metal tags inscribed with the appropriate corner number as shown on the following sketch and the accompanying claim map.



The location work consisted of making the maps as provided in NRS 517.040.

Dated and posted on the ground this 28 day of March, 1979.

Witnesses:

Locator:

ANSELCO MINERALS INC.

By [Signature]
Agent for
Amselco Minerals Inc.

STATE OF NEVADA)
COUNTY OF _____)

RECORDED AT THE REQUEST OF Amselco Minerals Inc.
on June 8 1979 at 40 mins. past 2 P.M. in
Book 70 of OFFICIAL RECORDS, page 532, RECORDS OF
EUREKA COUNTY, NEVADA. WILLIS A. DePAOLI Recorder
File No. 68500 Fee \$ 3.00

I hereby certify that the within instrument was filed and recorded at the request of: _____
FILE NO. _____
on _____
at _____
Docket _____ Page _____

Witness my hand and official seal the day and year aforesaid.

County Recorder

By _____
Deputy Recorder

BOOK 70 PAGE 532

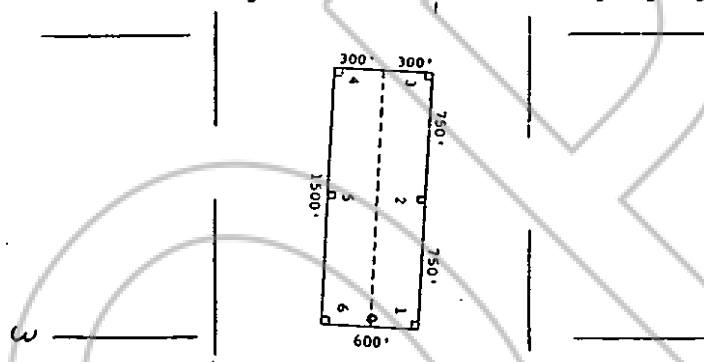
STATE OF NEVADA
CERTIFICATE OF MINING LOCATION
LODE CLAIM ON PUBLIC DOMAIN

NOTICE IS HEREBY GIVEN that the SEL RAT No. 51 lode mining claim has been located by AMSELCO MINERALS INC., a Delaware corporation, whose address is 1000 Bible Way, Suite 66, Reno, Nevada 89502. The general course of this claim is North 3 West. This claim is 1500 feet in length along the course of the claim, being 10 feet from the point of discovery in a N3°W direction to the North end line of this claim, and 1490 feet in a S3°E direction to the South end line of the claim. This claim is 600 feet in width, being 300 feet in width on each side of the center line of the claim.

This claim is located within the NE Quarter of Section 28, Township 18 North, Range 53 East, Mount Diablo Base and Meridian, Eureka Mining District, Eureka County, Nevada. The location ~~monument~~ of this claim is situated with reference to some natural object or permanent monument as follows: Corner No. 1 is located appx.: 7500 feet N 45° W of claim location marker SRI

The claim location marker SRI, a 3"x6' steel pipe, is located appx.: 1.93 mi N76°E from Gray's Peak; 2.50 mi N8°E from South Hill Peak; 0.55 mi S27°W from Surprise Peak.

The corners of this claim are marked by 4"x4" posts or 4" trees with metal tags inscribed with the appropriate corner number as shown on the following sketch and the accompanying claim map.



The location work consisted of making the maps as provided in NRS 517.040.

Dated and posted on the ground this 28 day of March, 1979.

Witnesses:

Locator:

AMSELCO MINERALS INC.

By [Signature]
Agent for
Amselco Minerals Inc.

STATE OF NEVADA)
COUNTY OF _____)

RECORDED AT THE REQUEST OF Amselco Minerals Inc.,
on June 8 1979 at 40 mins. past 2 P.M. in
Book 70 of OFFICIAL RECORDS, page 533 RECORDS OF
EUREKA COUNTY, NEVADA WILLIS A. DeFAOLI Recorder
File No. 68501 Fee \$ 3.00

I hereby certify that the within instrument was filed and recorded at the request of:

FILE NO. _____
on _____
at _____
Docket _____ Page _____

Witness my hand and official seal the day and year aforesaid.

County Recorder _____

By _____
Deputy Recorder

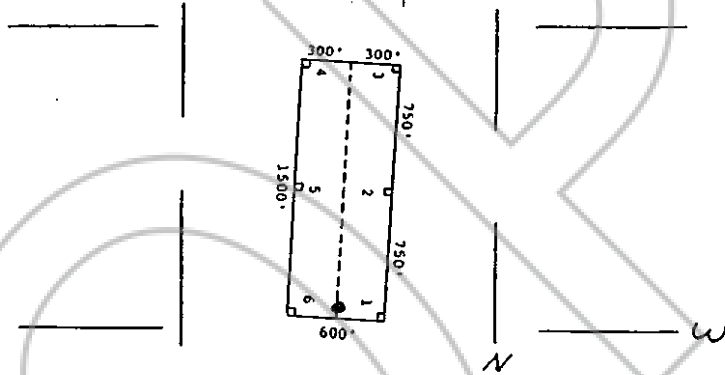
STATE OF NEVADA
CERTIFICATE OF MINING LOCATION
LODE CLAIM ON PUBLIC DOMAIN

NOTICE IS HEREBY GIVEN that the SELRAT No. 52 lode mining claim has been located by AMSELCO MINERALS INC., a Delaware corporation, whose address is 1000 Bible Way, Suite 66, Reno, Nevada 89502. The general course of this claim is North 3 West. This claim is 1500 feet in length along the course of the claim, being 10 feet from the point of discovery in a N3 W direction to the North end line of this claim, and 1490 feet in a S3 E direction to the South end line of the claim. This claim is 600 feet in width, being 300 feet in width on each side of the center line of the claim.

This claim is located within the NE Quarter of Section 28, Township 18 North, Range 53 East, Mount Diablo Base and Meridian, Eureka Mining District, Eureka County, Nevada. The location monument of this claim is situated with reference to some natural object or permanent monument as follows: Corner No. 1 is located appx.: 7500 feet N 45 W of claim location marker SR1

The claim location marker SR1, a 3"x6' steel pipe, is located appx.: 1.93 mi N76 E from Gray's Peak; 2.50 mi N8 E from South Hill Peak; 0.55 mi S27 W from Surprise Peak.

The corners of this claim are marked by 4"x4" posts or 4" trees with metal tags inscribed with the appropriate corner number as shown on the following sketch and the accompanying claim map.



The location work consisted of making the maps as provided in NRS 517.040.

Dated and posted on the ground this 28 day of March, 1979.

Witnesses:

Locator:

AMSELCO MINERALS INC.

By [Signature]
Agent for
Amselco Minerals Inc.

STATE OF NEVADA)
COUNTY OF _____) ss.

RECORDED AT THE REQUEST OF Amselco Minerals Inc.,
on June 8, 1979, at 40 mins. past 2 P.M. to
Book 70 of OFFICIAL RECORDS, page 534, RECORDS OF
EUREKA COUNTY, NEVADA. WILLIS A. DePAOLI Recorder
File No. 68502 Fee \$ 3.00

I hereby certify that the within instrument was filed and recorded at the request of: _____

Witness my hand and official seal the day and year aforesaid.

FILE NO. _____
on _____
at _____
Docket _____ Page _____

County Recorder _____

By _____
Deputy Recorder

BOOK 70 PAGE 534

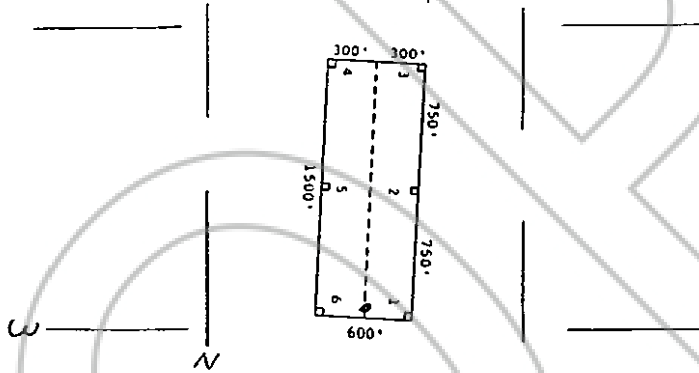
STATE OF NEVADA
CERTIFICATE OF MINING LOCATION
LODE CLAIM ON PUBLIC DOMAIN

NOTICE IS HEREBY GIVEN that the SELRAT No. 53 lode mining claim has been located by AMSELCO MINERALS INC., a Delaware corporation, whose address is 1000 Bible Way, Suite 66, Reno, Nevada 89502. The general course of this claim is North 3 West. This claim is 1500 feet in length along the course of the claim, being 10 feet from the point of discovery in a N3 W direction to the North end line of this claim, and 1490 feet in a S3 E direction to the South end line of the claim. This claim is 600 feet in width, being 300 feet in width on each side of the center line of the claim.

This claim is located within the NE Quarter of Section 28, Township 18 North, Range 53 East, Mount Diablo Base and Meridian, Eureka Mining District, Eureka County, Nevada. The location ~~marker~~ of this claim is situated with reference to some natural object or permanent monument as follows: Corner No. 1 is located appx.: 4650 feet N 34 W, of claim location marker SRI

The claim location marker SRI, a 3"x6' steel pipe, is located appx.: 1.93 mi N76 E from Gray's Peak; 2.50 mi N8 E from South Hill Peak; 0.55 mi S27 W from Surprise Peak.

The corners of this claim are marked by 4"x4" posts or 4" trees with metal tags inscribed with the appropriate corner number as shown on the following sketch and the accompanying claim map.



The location work consisted of making the maps as provided in NRS 517.040.

Dated and posted on the ground this 28 day of March, 1979.

Witnesses:

Locator:

AMSELCO MINERALS INC.

By [Signature]
Agent for
Amselco Minerals Inc.

STATE OF NEVADA

COUNTY OF _____

RECORDED AT THE REQUEST OF Amselco Minerals Inc.,
) on June 8 1979 at 40 mins. past 2 P.M. h
) SS. Sect. 70 of OFFICIAL RECORDS, page 535 RECORDS
) EUREKA COUNTY, NEVADA WILLIS A. DeFAOLI Recorder
File No. 68503 Fee \$ 3.00

I hereby certify that the within instrument was filed and recorded at the request of:

FILE NO. _____
on _____
at _____
Docket _____ Page _____

Witness my hand and official seal the day and year aforesaid.

County Recorder

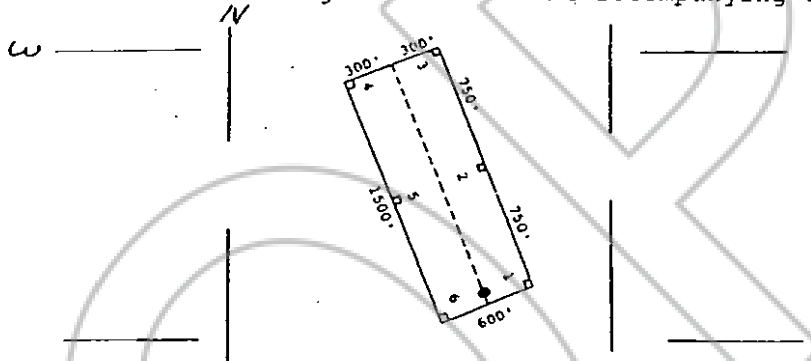
By _____
Deputy Recorder

NOTICE IS HEREBY GIVEN that the SELRAT No. 54 lode mining claim has been located by AMSELCO MINERALS INC., a Delaware corporation, whose address is 1000 Bible Way, Suite 66, Reno, Nevada 89502. The general course of this claim is North 20° West. This claim is 1500 feet in length along the course of the claim, being 1465 feet from the point of discovery in a N20°W direction to the North end line of this claim, and 35 feet in a S20°E direction to the South end line of the claim. This claim is 600 feet in width, being 300 feet in width on each side of the center line of the claim.

This claim is located within the NW Quarter of Section 27, Township 18 North, Range 53 East, Mount Diablo Base and Meridian, Eureka Mining District, Eureka County, Nevada. The location ~~marker~~ of this claim is situated with reference to some natural object or permanent monument as follows: Corner No. 1 is located appx.: 2800 feet S 65° W of claim location marker SR1.

The claim location marker SR1, a 3"x6" steel pipe, is located appx.: 1.93 mi N76°E from Gray's Peak; 2.50 mi N8°E from South Hill Peak; 0.55 mi S27°W from Surprise Peak.

The corners of this claim are marked by 4"x4" posts or 4" trees with metal tags inscribed with the appropriate corner number as shown on the following sketch and the accompanying claim map.



The location work consisted of making the maps as provided in NRS 517.040.

Dated and posted on the ground this 28 day of March, 1979.

Witnesses:

Locator:

AMSELCO MINERALS INC.

By [Signature]
Agent for

Amselco Minerals Inc.

RECORDED AT THE REQUEST OF Amselco Minerals Inc.,

on June 8, 1979 at 40 mins. past 2 P.M.

Book 70 of OFFICIAL RECORDS, page 536 RECORDS

EUREKA COUNTY, NEVADA WILLIS A. DePAOLI Recorder

File No. 68504 Fee \$ 3.00

STATE OF NEVADA)

COUNTY OF _____)

I hereby certify that the within instrument was filed and recorded at the request of: _____

FILE NO. _____

on _____

at _____

Docket _____ Page _____

Witness my hand and official seal the day and year aforesaid.

County Recorder

By _____
Deputy Recorder