

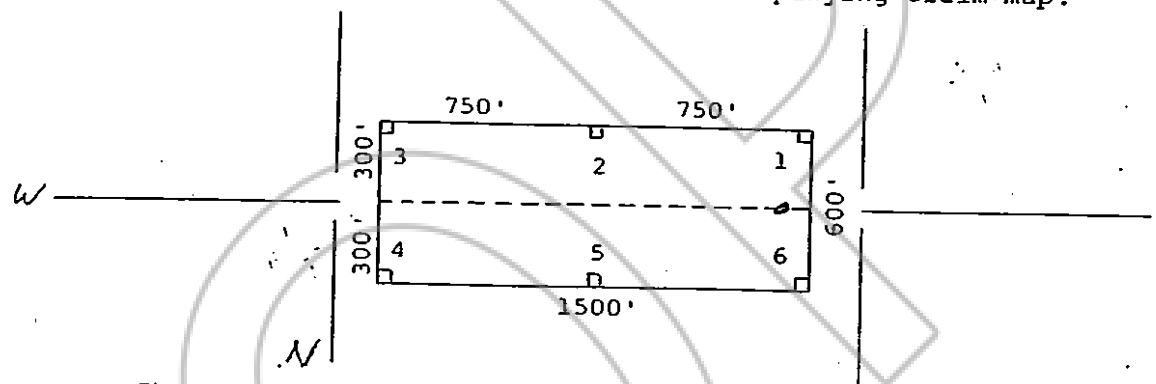
STATE OF NEVADA
 CERTIFICATE OF MINING LOCATION
 LODE CLAIM ON PUBLIC DOMAIN

73838

NOTICE IS HEREBY GIVEN that the Afgan No. 1 lode mining claim has been located by AMERICAN SELCO INC. a New York corporation, whose address is 99 West Grove Street, Suite 100, Reno, Nevada 89509. The general course of this claim is East/West. This claim is 1500 feet in length along the course of the claim, being 10 feet from the point of discovery in a East direction to the East end line of this claim, and 1490 feet in a West direction to the West end line of the claim. This claim is 600 feet in width, being 300 feet in width on each side of the center line of the claim.

This claim is located within the SW Quarter of Section 17, Township 22 North, Range 51 East, Mount Diablo Base and Meridian, unknown Mining District, Eureka County, Nevada. The location monument of this claim is situated with reference to some natural object or permanent monument as follows: Corner no. 1 of this claim is located approximately 440 feet N85°W from the located SE corner of Section 17 T22N, R51E. MDM.

The corners of this claim are marked by 4"x4" posts or 4" trees with metal tags inscribed with the appropriate corner number as shown on the following sketch and the accompanying claim map.



The location work consisted of making the maps as provided in NRS 517.040.

Dated and posted on the ground this 20 day of March, ~~1979~~ 1980.

Witnesses:

 STATE OF NEVADA)
 COUNTY OF _____) ss.

Locator:
 AMERICAN SELCO INC.
 By [Signature]
 Agent for
 American Selco Inc.

RECORDED BY REQUEST OF
 American Selco Inc.
 BOOK 81
 80 MAY 30 A10 40
 OFFICE OF THE COUNTY CLERK
 EUREKA COUNTY, NEVADA
 WILLIS A. BIRNBAUM
 FILED 73838
 FEE \$ 3.00

I hereby certify that the within instrument was filed and recorded at the request of: _____
 FILE NO. _____
 on _____
 at _____
 Docket _____ Page _____

Witness my hand and official seal the day and year aforesaid.

 County Recorder
 By BOOK 81 PAGE 449
 Deputy Recorder

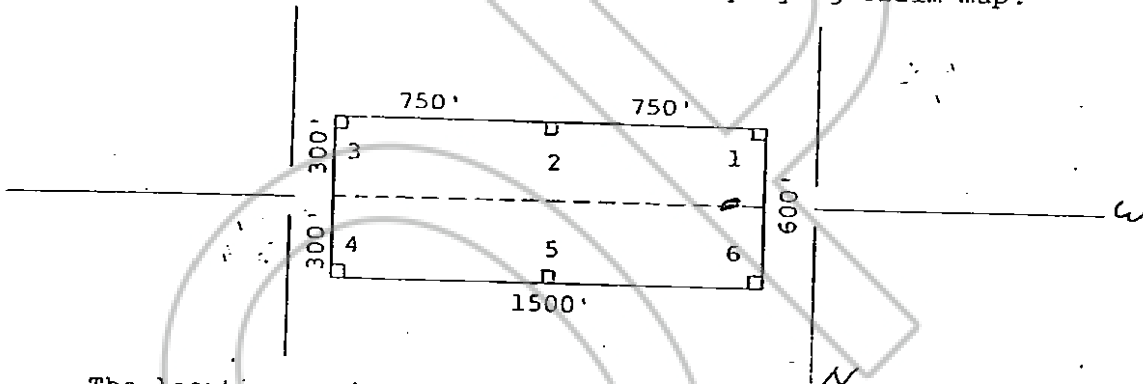
73839

STATE OF NEVADA
CERTIFICATE OF MINING LOCATION
LODE CLAIM ON PUBLIC DOMAIN

NOTICE IS HEREBY GIVEN that the Afgan No. 2 lode mining claim has been located by AMERICAN SELCO INC. a New York corporation, whose address is 99 West Grove Street, Suite 100, Reno, Nevada 89509. The general course of this claim is East/West. This claim is 1500 feet in length along the course of the claim, being 1490 feet from the point of discovery in a East direction to the East end line of this claim, and 10 feet in a West direction to the West end line of the claim. This claim is 600 feet in width, being 300 feet in width on each side of the center line of the claim.

This claim is located within the SW Quarter of Section 17, Township 22 North, Range 51 East, Mount Diablo Base and Meridian, unknown Mining District, Eureka County, Nevada. The location monument of this claim is situated with reference to some natural object or permanent monument as follows: Corner no. 1 of this claim is located approximately 4400 feet N 85° W from the located SE corner of Section 17 T22N, R51E. MDM.

The corners of this claim are marked by 4"x4" posts or 4" trees with metal tags inscribed with the appropriate corner number as shown on the following sketch and the accompanying claim map.



The location work consisted of making the maps as provided in NRS 517.040.

Dated and posted on the ground this 20 day of March, ~~1979~~ 1980.

RECORDED AT REQUEST OF
American Selco Inc.
BOOK 81 PAGE 450
80 MAY 30 A.M. 4:40
EUREKA COUNTY, NEVADA
WILLIAM T. HARRIS, RECORDER
FILE NO. 73839
FEE \$ 3.00

Locator:

AMERICAN SELCO INC.

By [Signature]
Agent for
American Selco Inc.

STATE OF NEVADA)
) ss.
COUNTY OF _____)

I hereby certify that the within instrument was filed and recorded at the request of: _____

FILE NO. _____
on _____
at _____
Docket _____ Page _____

Witness my hand and official seal the day and year aforesaid.

County Recorder _____
By BOOK 81 PAGE 450
Deputy Recorder _____

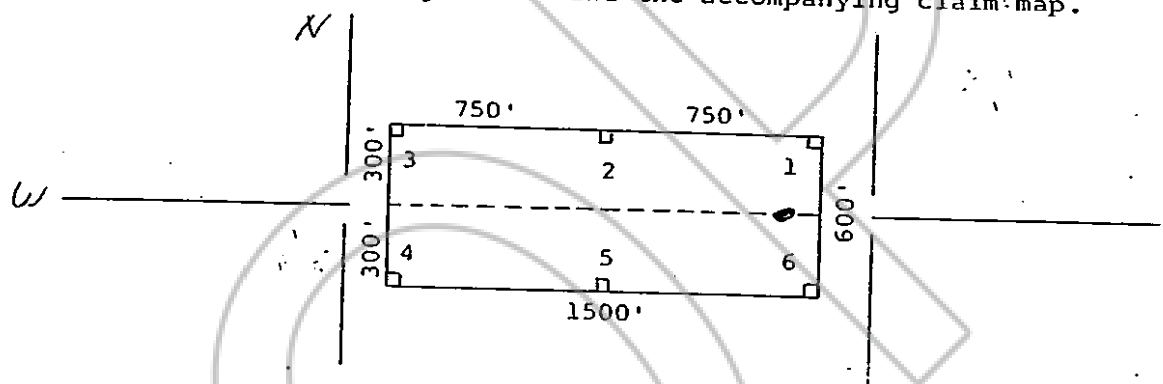
73840

STATE OF NEVADA
CERTIFICATE OF MINING LOCATION
LODE CLAIM ON PUBLIC DOMAIN

NOTICE IS HEREBY GIVEN that the Afgan No. 3 lode mining claim has been located by AMERICAN SELCO INC., a New York corporation, whose address is 90 West Grove Street, Suite 100, Reno, Nevada 89509. The general course of this claim is East/West. This claim is 1500 feet in length along the course of the claim, being 10 feet from the point of discovery in a East direction to the East end line of this claim, and 1490 feet in a West direction to the West end line of the claim. This claim is 600 feet in width, being 300 feet in width on each side of the center line of the claim.

This claim is located within the SW Quarter of Section 17, Township 22 North, Range 51 East, Mount Diablo Base and Meridian, unknown Mining District, Eureka County, Nevada. The location monument of this claim is situated with reference to some natural object or permanent monument as follows: Corner no. 1 of this claim is located approximately 400 feet N 85° W from the located SE corner of Section 17 T22N, R51E. MDM.

The corners of this claim are marked by 4"x4" posts or 4" trees with metal tags inscribed with the appropriate corner number as shown on the following sketch and the accompanying claim map.



The location work consisted of making the maps as provided in NRS 517.040.

Dated and posted on the ground this 20 day of March, 1979. 1980.

RECORDED AT REQUEST OF
American Selco Inc.
BOOK 81 PAGE 451

80 MAY 30 10:40

CLERK OF SUPERIOR COURT
EUREKA COUNTY, NEVADA
WILLIS A. DUTTA, CLERK
FILE NO. 73840
FEE \$ 3.00

Locator:
AMERICAN SELCO INC.
By [Signature]
Agent for
American Selco Inc.

STATE OF NEVADA)
COUNTY OF _____) ss.

I hereby certify that the within instrument was filed and recorded at the request of: _____
FILE NO. _____
on _____
at _____
Docket _____ Page _____

Witness my hand and official seal the day and year aforesaid.

County Recorder
By BOOK 81 PAGE 451
Deputy Recorder

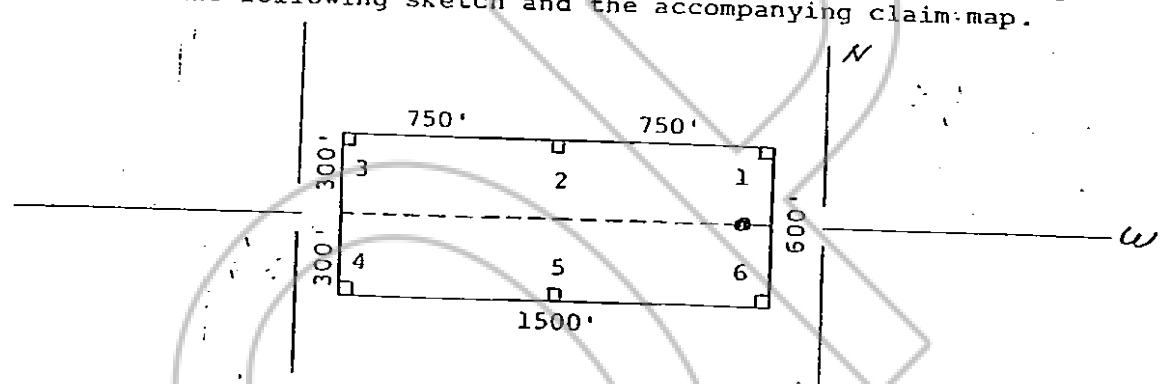
STATE OF NEVADA
 CERTIFICATE OF MINING LOCATION
 LODE CLAIM ON PUBLIC DOMAIN

73841

NOTICE IS HEREBY GIVEN that the Afgan No. 4 lode mining claim has been located by AMERICAN SELCO INC. a New York corporation, whose address is 99 West Grove Street, Suite 100, Reno, Nevada 89509. The general course of this claim is East/West. This claim is 1500 feet in length along the course of the claim, being 1490 feet from the point of discovery in a East direction to the East end line of this claim, and 10 feet in a West direction to the West end line of the claim. This claim is 600 feet in width, being 300 feet in width on each side of the center line of the claim.

This claim is located within the SW Quarter of Section 17, Township 22 North, Range 51 East, Mount Diablo Base and Meridian, unknown Mining District, Eureka County, Nevada. The location monument of this claim is situated with reference to some natural object or permanent monument as follows: Corner no. 1 of this claim is located approximately 400 feet NWS from the located SE corner of Section 17 T22N, R51E. MDM.

The corners of this claim are marked by 4"x4" posts or 4" trees with metal tags inscribed with the appropriate corner number as shown on the following sketch and the accompanying claim map.



The location work consisted of making the maps as provided in NRS 517.040.

Dated and posted on the ground this 20 day of March, 1981.

RECORDED AT REQUEST OF
 American Selco Inc. 70-452
 80 MAY 30 AM 10:10
 OFFICE OF THE COUNTY CLERK
 EUREKA COUNTY, NEVADA
 WILLIS A. HANCOCK, CLERK
 FILE IN BOOK 81
 FEE \$ 3.00

Locator:
 AMERICAN SELCO INC.

By [Signature]
 Agent for
 American Selco Inc.

STATE OF NEVADA)
)
 COUNTY OF _____) ss.

I hereby certify that the within instrument was filed and recorded at the request of: _____
 FILE NO. _____
 on _____
 at _____
 Docket _____ Page _____

Witness my hand and official seal the day and year aforesaid.

County Recorder
 By BOOK 81 PAGE 452
 Deputy Recorder

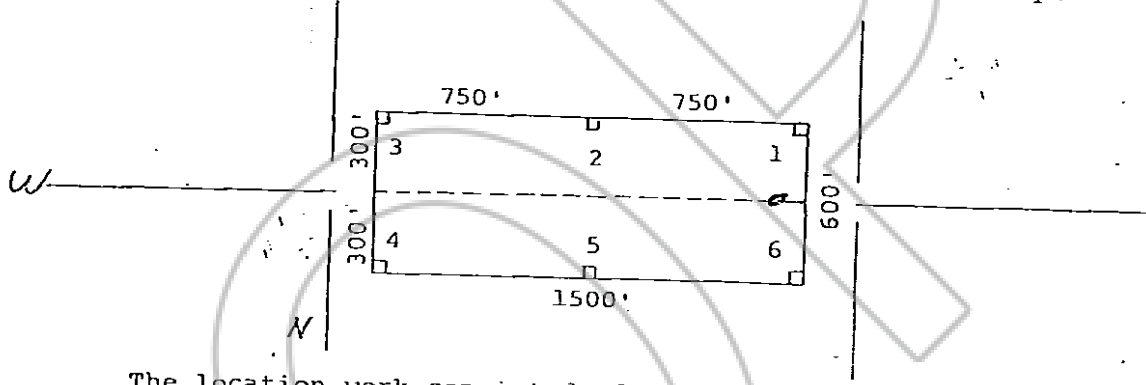
73842

STATE OF NEVADA
CERTIFICATE OF MINING LOCATION
LODE CLAIM ON PUBLIC DOMAIN

NOTICE IS HEREBY GIVEN that the Afgan No. 5 lode mining claim has been located by AMERICAN SELCO INC. a New York corporation, whose address is 93 West Grove Street, Suite 100, Reno, Nevada 89509. The general course of this claim is East/West. This claim is 1500 feet in length along the course of the claim, being 10 feet from the point of discovery in a East direction to the East end line of this claim, and 1490 feet in a West direction to the West end line of the claim. This claim is 600 feet in width, being 300 feet in width on each side of the center line of the claim.

This claim is located within the NW Quarter of Section 20, Township 22 North, Range 51 East, Mount Diablo Base and Meridian, unknown Mining District, Eureka County, Nevada. The location monument of this claim is situated with reference to some natural object or permanent monument as follows: Corner no. 1 of this claim is located approximately 497.5 feet S 79° W from the located SE corner of Section 17 T22N, R51E. MDM.

The corners of this claim are marked by 4"x4" posts or 4" trees with metal tags inscribed with the appropriate corner number as shown on the following sketch and the accompanying claim map.



The location work consisted of making the maps as provided in NRS 517.040.

Dated and posted on the ground this 20 day of March, 1979. 1980.

Witnesses:

Locator:

IN WITNESS WHEREOF, I have hereunto set my hand and seal of the County of Eureka, Nevada, this 20th day of March, 1979.
COUNTY OF EUREKA, NEVADA
FILE NO. 73842
FILED 30

AMERICAN SELCO INC.
By [Signature]
Agent for
American Selco Inc.

I hereby certify that the within instrument was filed and recorded at the request of: _____
FILE NO. _____
on _____
at _____
Docket _____ Page _____

Witness my hand and official seal the day and year aforesaid.

County Recorder
By BOOK 81 PAGE 453
Deputy Recorder

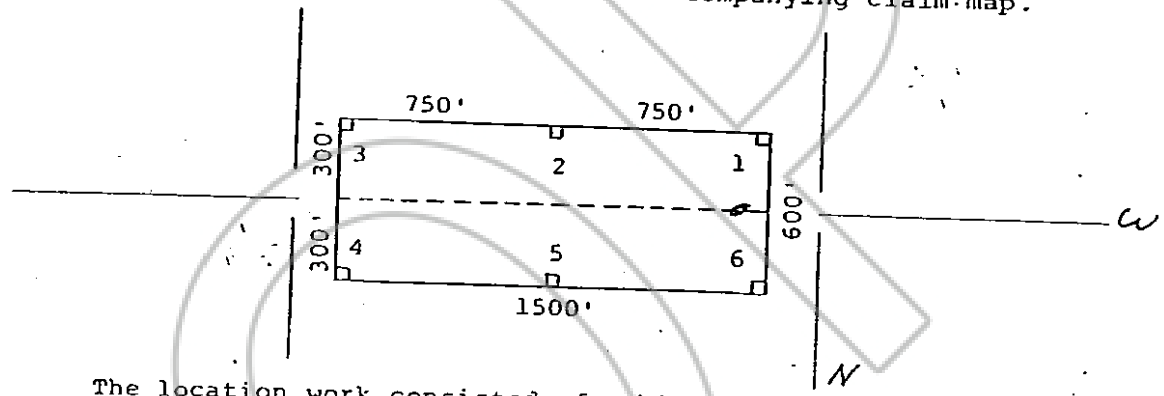
73843

STATE OF NEVADA
 CERTIFICATE OF MINING LOCATION
 LODE CLAIM ON PUBLIC DOMAIN

NOTICE IS HEREBY GIVEN that the Afgan No. 6 lode mining claim has been located by AMERICAN SELCO INC. a New York corporation, whose address is 90 West Grove Street, Suite 100, Reno, Nevada 89509. The general course of this claim is East/West. This claim is 1500 feet in length along the course of the claim, being 1990 feet from the point of discovery in a East direction to the East end line of this claim, and 10 feet in a West direction to the West end line of the claim. This claim is 600 feet in width, being 300 feet in width on each side of the center line of the claim.

This claim is located within the NW Quarter of Section 20, Township 22 North, Range 51 East, Mount Diablo Base and Meridian, unknown Mining District, Eureka County, Nevada. The location monument of this claim is situated with reference to some natural object or permanent monument as follows: Corner no. 1 of this claim is located approximately 475 feet S 79°W from the located SE corner of Section 17 T22N, R51E. MDM.

The corners of this claim are marked by 4"x4" posts or 4" trees with metal tags inscribed with the appropriate corner number as shown on the following sketch and the accompanying claim map.



The location work consisted of making the maps as provided in NRS 517.040.
 Dated and posted on the ground this 20 day of March, 1979. 1980.

Witnesses:

 COUNTY OF _____)
) ss.
)

Locator:
 AMERICAN SELCO INC.
 BY [Signature]
 Agent for
 American Selco Inc.

RECORDED AT REQUEST OF
 American Selco Inc.
 LIBRARY 81
 MAY 30 A10:41
 OFFICE OF RECORDS
 EUREKA COUNTY, NEVADA
 WILLIS A. CROFT, RECORDER
 FILE NO. 73843
 FEE \$5.00

I hereby certify that the within instrument was filed and recorded at the request of:
 FILE NO. _____
 on _____
 at _____
 Docket _____ Page _____

Witness my hand and official seal the day and year aforesaid.

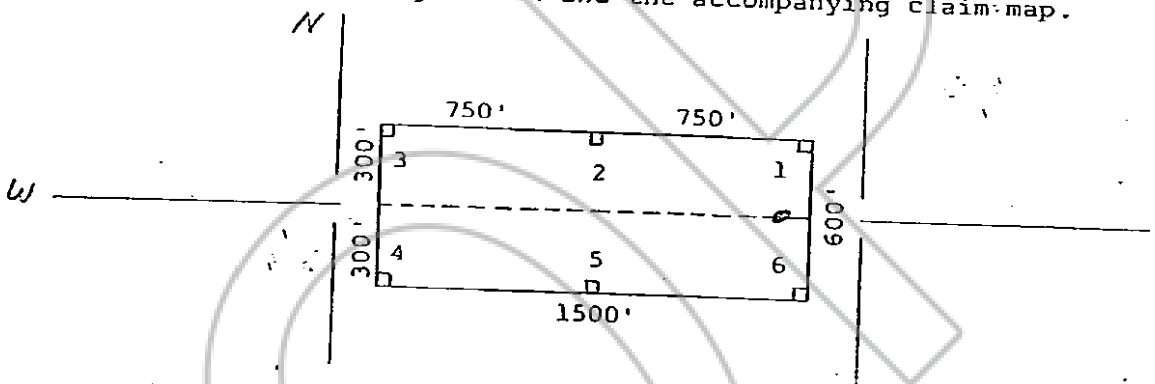
 County Recorder
 By BOOK 81 PAGE 454
 Deputy Recorder

STATE OF NEVADA
73844 CERTIFICATE OF MINING LOCATION
 LOSE CLAIM ON PUBLIC DOMAIN

NOTICE IS HEREBY GIVEN that the Afgan No. 7 lode mining claim has been located by AMERICAN SELCO INC. a New York corporation, whose address is 99 West Grove Street, Suite 100 Reno, Nevada 89509. The general course of this claim is East/West. This claim is 1500 feet in length along the course of the claim, being 10 feet from the point of discovery in a East direction to the East end line of this claim, and 1490 feet in a West direction to the West end line of the claim. This claim is 600 feet in width, being 300 feet in width on each side of the center line of the claim.

This claim is located within the NW Quarter of Section 20, Township 22 North, Range 51 East, Mount Diablo Base and Meridian, unknown Mining District, Eureka County, Nevada. The location monument of this claim is situated with reference to some natural object or permanent monument as follows: Corner no. 1 of this claim is located approximately 4475 feet S 79°W from the located SE corner of Section 17 T22N, R51E. MDM.

The corners of this claim are marked by 4"x4" posts or 4" trees with metal tags inscribed with the appropriate corner number as shown on the following sketch and the accompanying claim map.



The location work consisted of making the maps as provided in NRS 517.040.

Dated and posted on the ground this 20 day of March, 1979. 1980.

RECORDED AT REQUEST OF
American Selco Inc.
 BOOK 81 PAGE 455
 80 MAY 30 AM 10:41
 OFFICE RECORDS
 EUREKA COUNTY, NEVADA
 WILLIS A. BENTLEY, RECORDER
 FILE NO. 73844
 FILE 3-3-80

Locator:
AMERICAN SELCO INC.
 By [Signature]
 Agent for
American Selco Inc.

STATE OF NEVADA)
)
 COUNTY OF _____) ss.

I hereby certify that the within instrument was filed and recorded at the request of: _____
 FILE NO. _____
 on _____
 at _____
 Docket _____ page _____

Witness my hand and official seal the day and year aforesaid.

 County Recorder
 By BOOK 81 PAGE 455
 Deputy Recorder

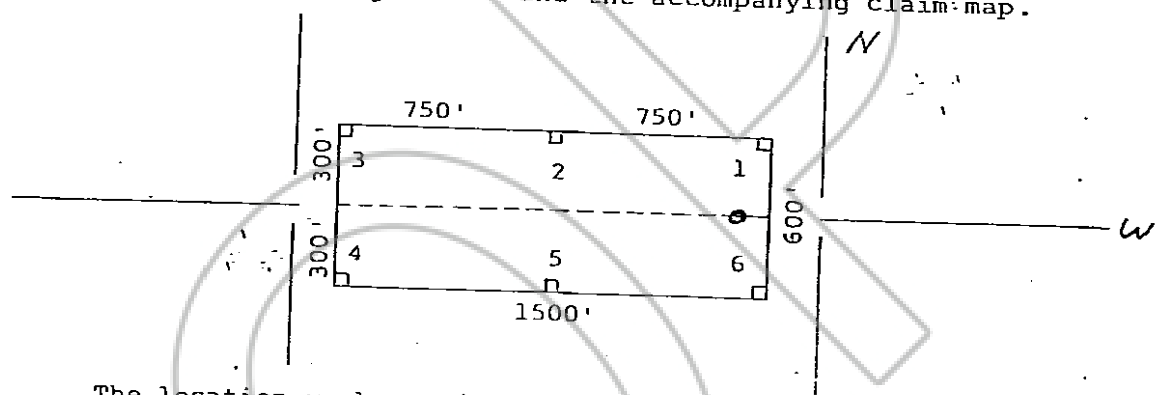
73845

STATE OF NEVADA
CERTIFICATE OF MINING LOCATION
LODE CLAIM ON PUBLIC DOMAIN

NOTICE IS HEREBY GIVEN that the Afgan No. 8 lode mining claim has been located by AMERICAN SELCO INC., a New York corporation, whose address is 90 West Grove Street, Suite 100, Reno, Nevada 89509. The general course of this claim is East/West. This claim is 1500 feet in length along the course of the claim, being 1490 feet from the point of discovery in a East direction to the East end line of this claim, and 10 feet in a West direction to the West end line of the claim. This claim is 600 feet in width, being 300 feet in width on each side of the center line of the claim.

This claim is located within the NW Quarter of Section 20, Township 22 North, Range 51 East, Mount Diablo Base and Meridian, unknown Mining District, Eureka County, Nevada. The location monument of this claim is situated with reference to some natural object or permanent monument as follows: Corner no. 1 of this claim is located approximately 4475 feet S 79°W from the located SE corner of Section 17 T22N, R51E. MDM.

The corners of this claim are marked by 4"x4" posts or 4" trees with metal tags inscribed with the appropriate corner number as shown on the following sketch and the accompanying claim map.



The location work consisted of making the maps as provided in NRS 517.040.

Dated and posted on the ground this 20 day of March, ~~1979~~ 1980.

Witnesses:

Locator:

STATE OF NEVADA)
COUNTY OF _____) ss.
_____)
_____)

AMERICAN SELCO INC.
By [Signature]
Agent for
American Selco Inc.

I hereby certify that the within instrument was filed and recorded at the request of: _____
FILE NO. _____
on _____
at _____
Docket _____ Page _____

Witness my hand and official seal the day and year aforesaid.

County Recorder
By BOOK 81 PAGE 456
Deputy Recorder

RECORDED AT REQUEST OF
American Selco Inc.
BOOK 81 PAGE 456
30 MAY 30 AIO:41
OFFICE OF COUNTY CLERK
EUREKA COUNTY, NEVADA
WILLIS A. DEWARY, CLERK
FILE NO. 73845
FEE \$ 2.00

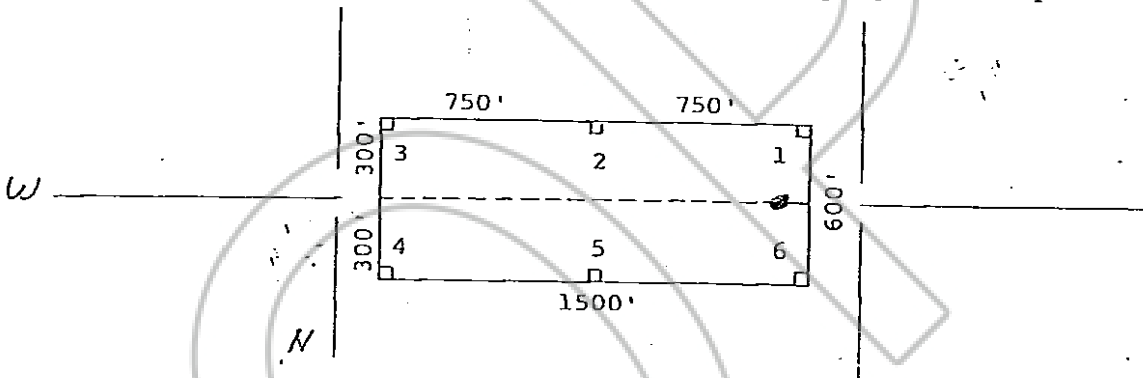
73846

STATE OF NEVADA
CERTIFICATE OF MINING LOCATION
LODE CLAIM ON PUBLIC DOMAIN

NOTICE IS HEREBY GIVEN that the Afgan No. 9
lode mining claim has been located by AMERICAN SELCO INC.,
a New York corporation, whose address is 90 West Grove Street,
Suite 100, Reno, Nevada 89509. The general course of this claim
is East/West. This claim is 1500 feet in length
along the course of the claim, being 10 feet from the point
of discovery in a East direction to the East end
line of this claim, and 1490 feet in a West
direction to the West end line of the claim. This claim is
600 feet in width, being 300 feet in width on each side of the
center line of the claim.

This claim is located within the NW Quarter
of Section 20, Township 22 North, Range 51
East, Mount Diablo Base and Meridian, unknown Mining District,
Eureka County, Nevada. The location monument of this claim is
situated with reference to some natural object or permanent monument
as follows: Corner no. 1 of this claim is located approximately
4850 feet S 65° W from the located SE corner of Section 17 T22N, R51E.
MDM.

The corners of this claim are marked by 4"x4" posts or 4" trees
with metal tags inscribed with the appropriate corner number as
shown on the following sketch and the accompanying claim map.



The location work consisted of making the maps as provided in
NRS 517.040.

Dated and posted on the ground this 20 day of March,
1979, 1980.

Witnesses:

Locator:

RECORDED AT REQUEST OF
American Selco Inc.
BOOK 81 PAGE 457
MAY 30 10:41
OFFICE OF THE COUNTY CLERK
EUREKA COUNTY, NEVADA
WILLIAM D. HALL, CLERK
FILE NO. 73846
FEE \$3.00

AMERICAN SELCO INC.

By [Signature]
Agent for
American Selco Inc.

STATE OF NEVADA)
) ss.
COUNTY OF _____)

I hereby certify that the within
instrument was filed and recorded at
the request of: _____

Witness my hand and official
seal the day and year aforesaid.

FILE NO. _____
on _____
at _____
Docket _____ Page _____

County Recorder _____

By BOOK 81 PAGE 457
Deputy Recorder _____

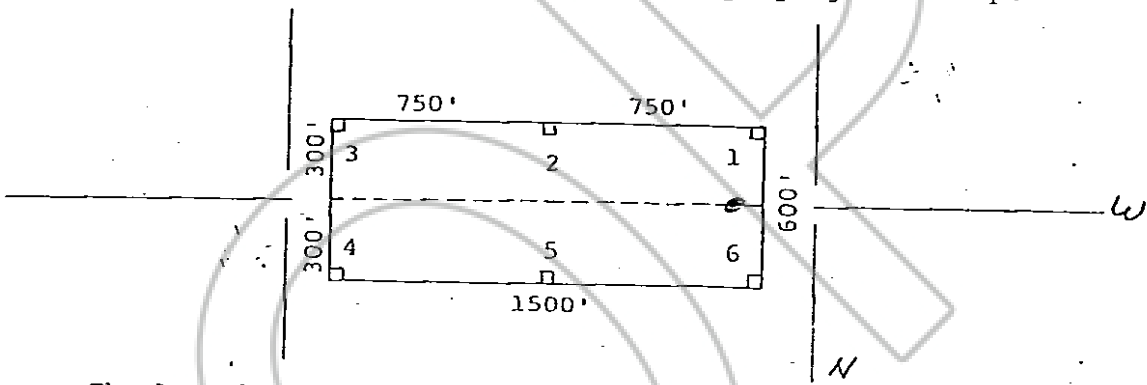
STATE OF NEVADA
 CERTIFICATE OF MINING LOCATION
 LODE CLAIM ON PUBLIC DOMAIN

73847

NOTICE IS HEREBY GIVEN that the Afgan No. 10 lode mining claim has been located by AMERICAN SELCO INC., a New York corporation, whose address is 90 West Grove Street, Suite 100, Reno, Nevada 89509. The general course of this claim is East/West. This claim is 1500 feet in length along the course of the claim, being 1490 feet from the point of discovery in a East direction to the East end line of this claim, and 10 feet in a West direction to the West end line of the claim. This claim is 600 feet in width, being 300 feet in width on each side of the center line of the claim.

This claim is located within the NW Quarter of Section 20, Township 22 North, Range 51 East, Mount Diablo Base and Meridian, unknown Mining District, Eureka County, Nevada. The location monument of this claim is situated with reference to some natural object or permanent monument as follows: Corner no. 1 of this claim is located approximately 4850 feet S 65° W from the located SE corner of Section 17 T22N, R51E.
 MDM.

The corners of this claim are marked by 4"x4" posts or 4" trees with metal tags inscribed with the appropriate corner number as shown on the following sketch and the accompanying claim map.



The location work consisted of making the maps as provided in NRS 517.040.

Dated and posted on the ground this 20 day of March, ~~1979~~ 1980.

Witnesses:

Locator:
 AMERICAN SELCO INC.

RECORDED AT
 OFFICE OF THE
 CLERK OF THE
 COUNTY OF
 NEVADA
 MAY 30 AID: 11
 WILLIS A. O'BRIEN, CLERK
 FILE NO. 73847
 FEE \$ 3.00

By [Signature]
 Agent for
 American Selco Inc.

I hereby certify that the within instrument was filed and recorded at the request of:
 FILE NO. _____
 on _____
 at _____
 Docket _____ Page _____

Witness my hand and official seal the day and year aforesaid.

 County Recorder
 By BOOK 81 PAGE 458
 Deputy Recorder

STATE OF NEVADA
 CERTIFICATE OF MINING LOCATION
 LODE CLAIM ON PUBLIC DOMAIN

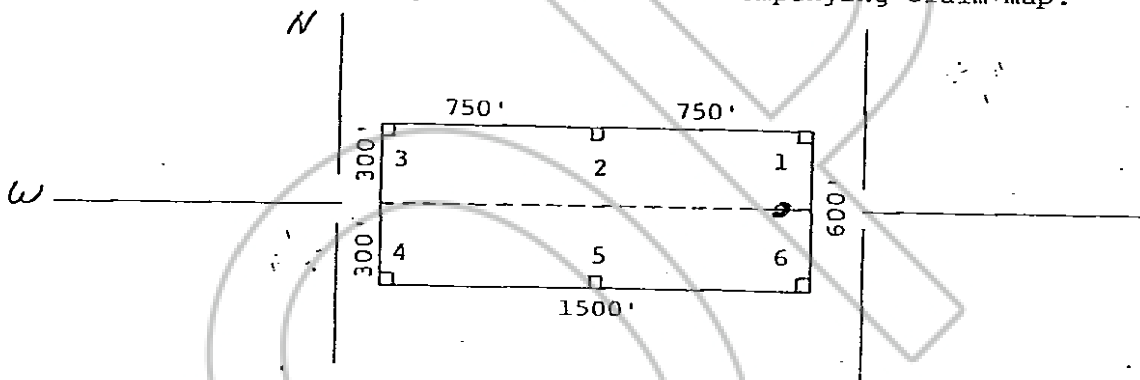
73848

NOTICE IS HEREBY GIVEN that the Afgan No. 11 lode mining claim has been located by AMERICAN SELCO INC. a New York corporation, whose address is 90 West Grove Street, Suite 100, Reno, Nevada 89509. The general course of this claim is East/West. This claim is 1500 feet in length along the course of the claim, being 10 feet from the point of discovery in a East direction to the East end line of this claim, and 1490 feet in a West direction to the West end line of the claim. This claim is 600 feet in width, being 300 feet in width on each side of the center line of the claim.

This claim is located within the NW Quarter of Section 20, Township 22 North, Range 51 East, Mount Diablo Base and Meridian, unknown Mining District, Eureka County, Nevada. The location monument of this claim is situated with reference to some natural object or permanent monument as follows: Corner no. 1 of this claim is located approximately 4850 feet S 65° W from the located SE corner of Section 17 T22N, R51E.

MDM.

The corners of this claim are marked by 4"x4" posts or 4" trees with metal tags inscribed with the appropriate corner number as shown on the following sketch and the accompanying claim map.



The location work consisted of making the maps as provided in NRS 517.040.

Dated and posted on the ground this 20 day of March, 1979. 1980.

Witnesses:

AT REQUEST OF
 American Selco Inc.
 BOOK 81 PAGE 459
 80 MAY 30 AIO: 41
 OFFICE OF COUNTY CLERK
 EUREKA COUNTY, NEVADA
 WILLIS A. STEWART, CLERK
 FILE NO. 73848
 FEE \$3.00

Locator:

AMERICAN SELCO INC.

By

Agent for

American Selco Inc.

STATE OF NEVADA)
) ss.
 COUNTY OF _____)

I hereby certify that the within instrument was filed and recorded at the request of: _____

FILE NO. _____
 on _____
 at _____
 Docket _____ Page _____

Witness my hand and official seal the day and year aforesaid.

County Recorder

By BOOK 81 PAGE 459
 Deputy Recorder

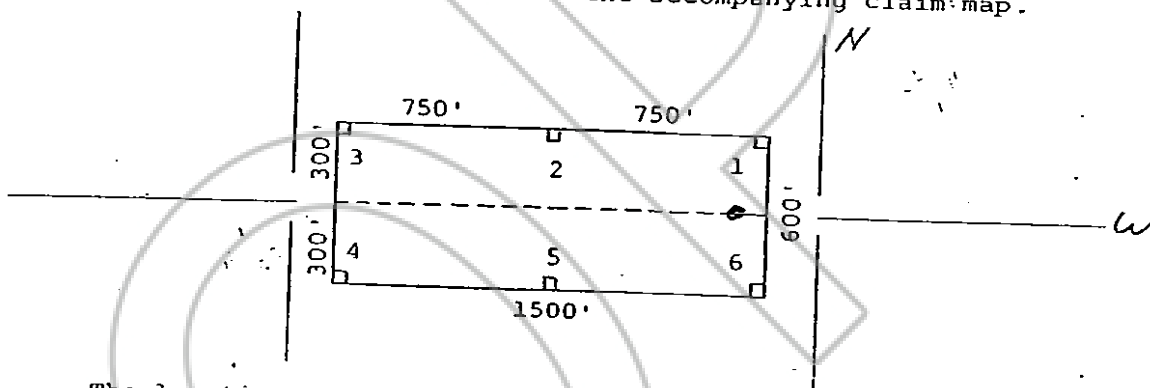
STATE OF NEVADA
 CERTIFICATE OF MINING LOCATION
 LODE CLAIM ON PUBLIC DOMAIN

73849

NOTICE IS HEREBY GIVEN that the Afgan No. 12 lode mining claim has been located by AMERICAN SELCO INC., a New York corporation, whose address is 99 West Grove Street, Suite 100, Reno, Nevada 89509. The general course of this claim is East/West. This claim is 1500 feet in length along the course of the claim, being 1490 feet from the point of discovery in a East direction to the East end line of this claim, and 10 feet in a West direction to the West end line of the claim. This claim is 600 feet in width, being 300 feet in width on each side of the center line of the claim.

This claim is located within the NW Quarter of Section 20, Township 22 North, Range 51 East, Mount Diablo Base and Meridian, unknown Mining District, Eureka County, Nevada. The location monument of this claim is situated with reference to some natural object or permanent monument as follows: Corner no. 1 of this claim is located approximately 4850 feet S 6.5° W from the located SE corner of Section 17 T22N, R51E.
 MDM.

The corners of this claim are marked by 4"x4" posts or 4" trees with metal tags inscribed with the appropriate corner number as shown on the following sketch and the accompanying claim map.



The location work consisted of making the maps as provided in NRS 517.040.

Dated and posted on the ground this 20 day of March, 1979, 1980.

RECORDED AT REQUEST OF
 American Selco Inc.
 BOOK 81 PAGE 460
 80 MAY 30 AID: 50

OFFICIAL RECORDS
 EUREKA COUNTY, NEVADA
 WILLIS A. DEWALT, CLERK
 FILE NO. 73849
 FEE \$ 3.00

Locator:
 AMERICAN SELCO INC.
 By [Signature]
 Agent for
 American Selco Inc.

STATE OF NEVADA)
) ss.
 COUNTY OF _____)

I hereby certify that the within instrument was filed and recorded at the request of:

FILE NO. _____
 on _____
 at _____
 Docket _____ Page _____

Witness my hand and official seal the day and year aforesaid.

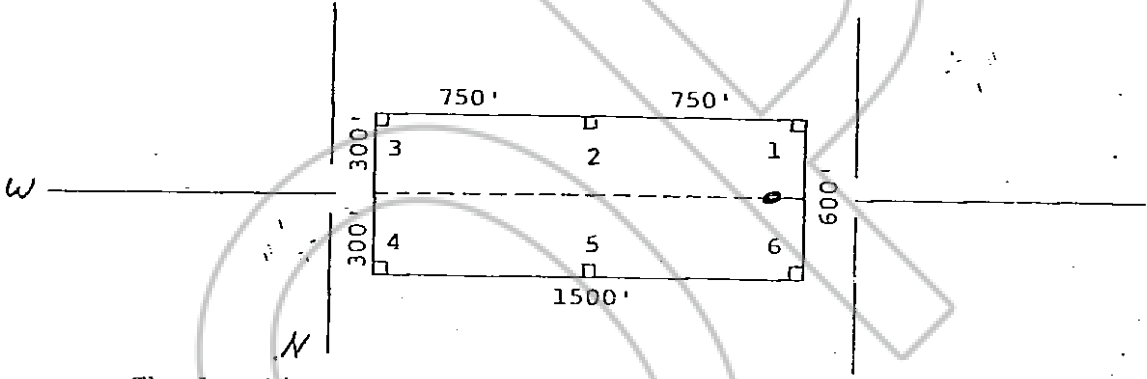
County Recorder
 By BOOK 81 PAGE 460
 Deputy Recorder

STATE OF NEVADA
CERTIFICATE OF MINING LOCATION
LODE CLAIM ON PUBLIC DOMAIN

NOTICE IS HEREBY GIVEN that the Afgan No. 13 lode mining claim has been located by AMERICAN SELCO INC. a New York corporation, whose address is 90 West Grove Street, Suite 100, Reno, Nevada 89509. The general course of this claim is East/West. This claim is 1500 feet in length along the course of the claim, being 10 feet from the point of discovery in a East direction to the East end line of this claim, and 1490 feet in a West direction to the West end line of the claim. This claim is 600 feet in width, being 300 feet in width on each side of the center line of the claim.

This claim is located within the SW Quarter of Section 20, Township 22 North, Range 51 East, Mount Diablo Base and Meridian, unknown Mining District, Eureka County, Nevada. The location monument of this claim is situated with reference to some natural object or permanent monument as follows: Corner no. 1 of this claim is located approximately 5450 feet S 54° 0' W from the located SE corner of Section 17 T22N, R51E. MDM.

The corners of this claim are marked by 4"x4" posts or 4" trees with metal tags inscribed with the appropriate corner number as shown on the following sketch and the accompanying claim map.



The location work consisted of making the maps as provided in NRS 517.040.

Dated and posted on the ground this 20 day of March, 1979. 1980.

Witnesses:

Locator:

RECORDED AT REQUEST OF
American Selco Inc.
BOOK 81 PAGE 461
MAY 30 10:58
OFFICE OF RECORDS
EUREKA COUNTY, NEVADA
WILLIS A. DUFFY, RECORDER
FILE # 73850
FEE \$ 3.00

AMERICAN SELCO INC.

By [Signature]
Agent for
American Selco Inc.

STATE OF NEVADA)
) ss.
COUNTY OF _____)

I hereby certify that the within instrument was filed and recorded at the request of: _____
FILE NO. _____
on _____
at _____
Docket _____ Page _____

Witness my hand and official seal the day and year aforesaid.

County Recorder
By BOOK 81 PAGE 461
Deputy Recorder

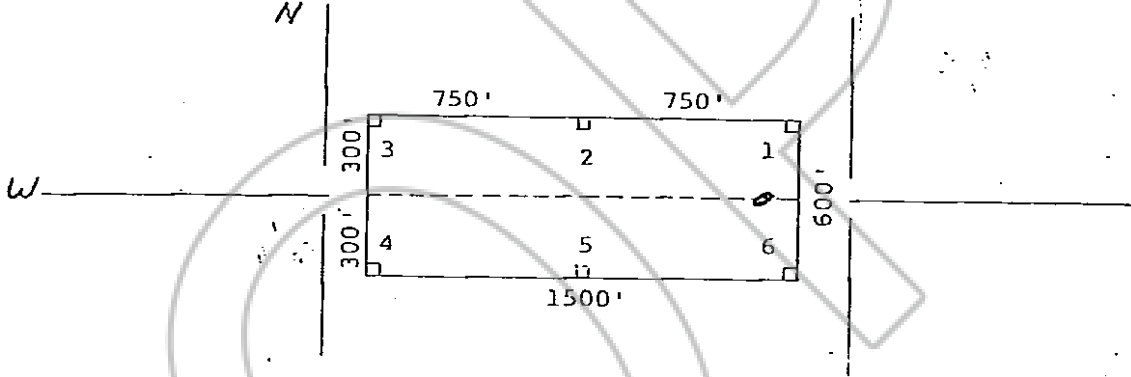
STATE OF NEVADA
 CERTIFICATE OF MINING LOCATION
 LODE CLAIM ON PUBLIC DOMAIN

73852

NOTICE IS HEREBY GIVEN that the Afgan No. 15 lode mining claim has been located by AMERICAN SELCO INC. a New York corporation, whose address is 99 West Grove Street, Suite 100, Reno, Nevada 89509. The general course of this claim is East/West. This claim is 1500 feet in length along the course of the claim, being 10 feet from the point of discovery in a East direction to the East end line of this claim, and 1490 feet in a West direction to the West end line of the claim. This claim is 600 feet in width, being 300 feet in width on each side of the center line of the claim.

This claim is located within the SW Quarter of Section 20, Township 22 North, Range 51 East, Mount Diablo Base and Meridian, unknown Mining District, Eureka County, Nevada. The location monument of this claim is situated with reference to some natural object or permanent monument as follows: Corner no. 1 of this claim is located approximately 5450 feet S 54°W from the located SE corner of Section 17 T22N, R51E.
 MDM.

The corners of this claim are marked by 4"x4" posts or 4" trees with metal tags inscribed with the appropriate corner number as shown on the following sketch and the accompanying claim map.



The location work consisted of making the maps as provided in NRS 517.040.

Dated and posted on the ground this 26 day of March, 1979. 1980.

Witnesses:

Locator:

RECORDED AT REQUEST OF
 American Selco Inc.
 BOOK 81 PAGE 463
 MAY 30 AID: 58
 OF 88 NEVADA
 COUNTY OF _____)
) ss.
)
 OFFICIAL RECORDS
 EUREKA COUNTY, NEVADA
 WILLIS A. DEARDEN, CLERK
 FILE NO. 73852
 FEE \$ 3.00

AMERICAN SELCO INC.

By [Signature]
 Agent for
 American Selco Inc.

I hereby certify that the within instrument was filed and recorded at the request of: _____
 FILE NO. _____
 on _____
 at _____
 Docket _____ Page _____

Witness my hand and official seal the day and year aforesaid.

County Recorder

By BOOK 81 PAGE 463
 Deputy Recorder

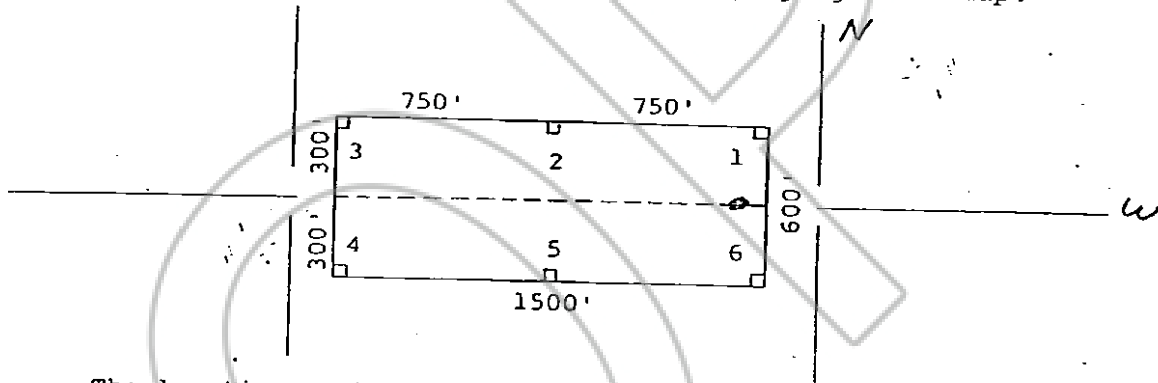
73953

STATE OF NEVADA
CERTIFICATE OF MINING LOCATION
LODE CLAIM ON PUBLIC DOMAIN

NOTICE IS HEREBY GIVEN that the Afgan No. 16 lode mining claim has been located by AMERICAN SELCO INC. a New York corporation, whose address is 90 West Grove Street, Suite 100, Reno, Nevada 89509. The general course of this claim is East/West. This claim is 1500 feet in length along the course of the claim, being 1490 feet from the point of discovery in a East direction to the East end line of this claim, and 10 feet in a West direction to the West end line of the claim. This claim is 600 feet in width, being 300 feet in width on each side of the center line of the claim.

This claim is located within the 561 Quarter of Section 20, Township 22 North, Range 51 East, Mount Diablo Base and Meridian, unknown Mining District, Eureka County, Nevada. The location monument of this claim is situated with reference to some natural object or permanent monument as follows: Corner no. 1 of this claim is located approximately 5450 feet S 54°W from the located SE corner of Section 17 T22N, R51E. MDM.

The corners of this claim are marked by 4"x4" posts or 4" trees with metal tags inscribed with the appropriate corner number as shown on the following sketch and the accompanying claim map.



The location work consisted of making the maps as provided in NRS 517.040.

Dated and posted on the ground this 28 day of March,

RECORDED AT REQUEST OF
American Selco Inc.
BOOK 81 PAGE 464

80 MAY 30 AM 10:50

OFFICE RECORDS
EUREKA COUNTY NEVADA
WILLIS A. DEWITT RECORDED
FILE NO. 73953
FEE \$ 3.00

Locator:
AMERICAN SELCO INC.

By [Signature]
Agent for
American Selco Inc.

STATE OF NEVADA)
COUNTY OF _____) ss.

I hereby certify that the within instrument was filed and recorded at the request of: _____
FILE NO. _____
on _____
at _____
Docket _____ Page _____

Witness my hand and official seal the day and year aforesaid.

County Recorder

By BOOK 81 PAGE 464
Deputy Recorder

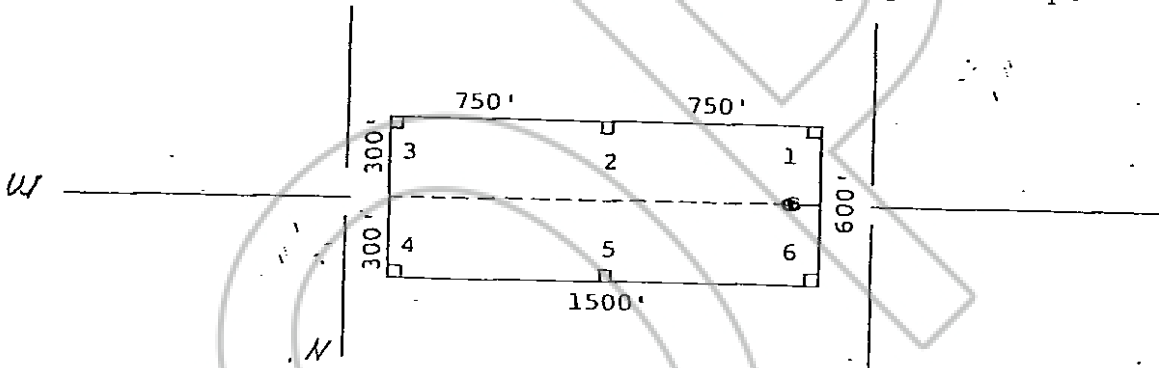
73854

STATE OF NEVADA
CERTIFICATE OF MINING LOCATION
LODE CLAIM ON PUBLIC DOMAIN

NOTICE IS HEREBY GIVEN that the Afgan No. 17 lode mining claim has been located by AMERICAN SELCO INC. a New York corporation, whose address is 90 West Grove Street, Suite 100, Reno, Nevada 89509. The general course of this claim is East/West. This claim is 1500 feet in length along the course of the claim, being 10 feet from the point of discovery in a East direction to the East end line of this claim, and 1490 feet in a West direction to the West end line of the claim. This claim is 600 feet in width, being 300 feet in width on each side of the center line of the claim.

This claim is located within the SW Quarter of Section 20, Township 22 North, Range 51 East, Mount Diablo Base and Meridian, unknown Mining District, Eureka County, Nevada. The location monument of this claim is situated with reference to some natural object or permanent monument as follows: Corner no. 1 of this claim is located approximately 6250 feet S 45° W from the located SE corner of Section 17 T22N, R51E. MDM.

The corners of this claim are marked by 4"x4" posts or 4" trees with metal tags inscribed with the appropriate corner number as shown on the following sketch and the accompanying claim map.



The location work consisted of making the maps as provided in NRS 517.040.

Dated and posted on the ground this 20 day of March, 1979. 1980.

Witnesses:

Locator:

AMERICAN SELCO INC.

By [Signature]
Agent for
American Selco Inc.

RECORDED AT REQUEST OF
American Selco Inc.
BOOK 81 PAGE 465
80 MAY 30 AID: 58
OFFICIAL RECORDING
EUREKA COUNTY, NEVADA
WILLIS A. DEPPOLD, RECORDER
FILE NO. 73854
FEE \$ 3.00

I hereby certify that the within instrument was filed and recorded at the request of: _____
FILE NO. _____
on _____
at _____
Docket _____ Page _____

Witness my hand and official seal the day and year aforesaid.

County Recorder

By BOOK 81 PAGE 465
Deputy Recorder

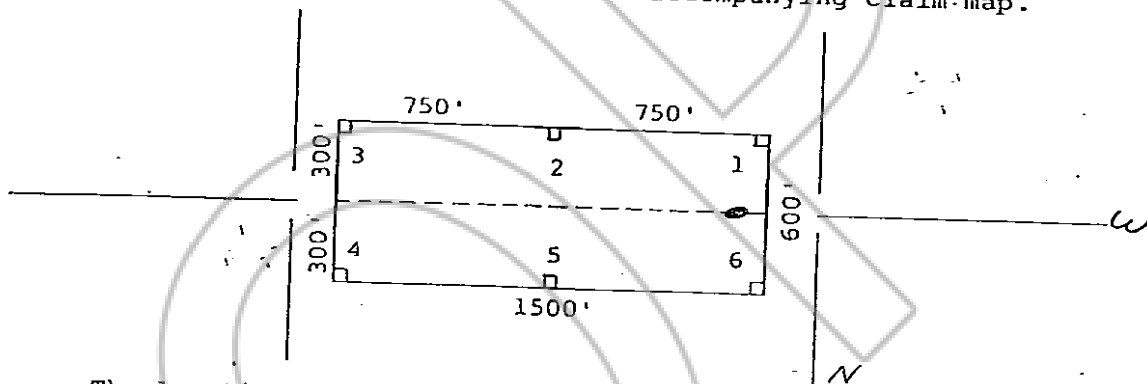
73855

STATE OF NEVADA
CERTIFICATE OF MINING LOCATION
LODE CLAIM ON PUBLIC DOMAIN

NOTICE IS HEREBY GIVEN that the Afgan No. 18 lode mining claim has been located by AMERICAN SELCO INC., a New York corporation, whose address is 99 West Grove Street, Suite 100, Reno, Nevada 89509. The general course of this claim is East/West. This claim is 1500 feet in length along the course of the claim, being 1490 feet from the point of discovery in a East direction to the East end line of this claim, and 10 feet in a West direction to the West end line of the claim. This claim is 600 feet in width, being 300 feet in width on each side of the center line of the claim.

This claim is located within the SW Quarter of Section 20, Township 22 North, Range 51 East, Mount Diablo Base and Meridian, unknown Mining District, Eureka County, Nevada. The location monument of this claim is situated with reference to some natural object or permanent monument as follows: Corner no. 1 of this claim is located approximately 6250 feet S 45° W from the located SE corner of Section 17 T22N, R51E. MDM.

The corners of this claim are marked by 4"x4" posts or 4" trees with metal tags inscribed with the appropriate corner number as shown on the following sketch and the accompanying claim map.



The location work consisted of making the maps as provided in NRS 517.040.

Dated and posted on the ground this 20 day of March, ~~1979~~ 1980.

Witnesses:

Locator:

AMERICAN SELCO INC.

By [Signature]
Agent for
American Selco Inc.

RECORDED AT REQUEST OF
American Selco Inc.
BOOK 81 PAGE 466
MAY 30 10:50
OFFICE OF RECORDS
EUREKA COUNTY, NEVADA
WILLIS A. DEPAUL
FILE NO. 73855
FILE # 3.00

COUNTY OF NEVADA)
) ss.
)

I hereby certify that the within instrument was filed and recorded at the request of: _____
FILE NO. _____
on _____
at _____
Docket _____ Page _____

Witness my hand and official seal the day and year aforesaid.

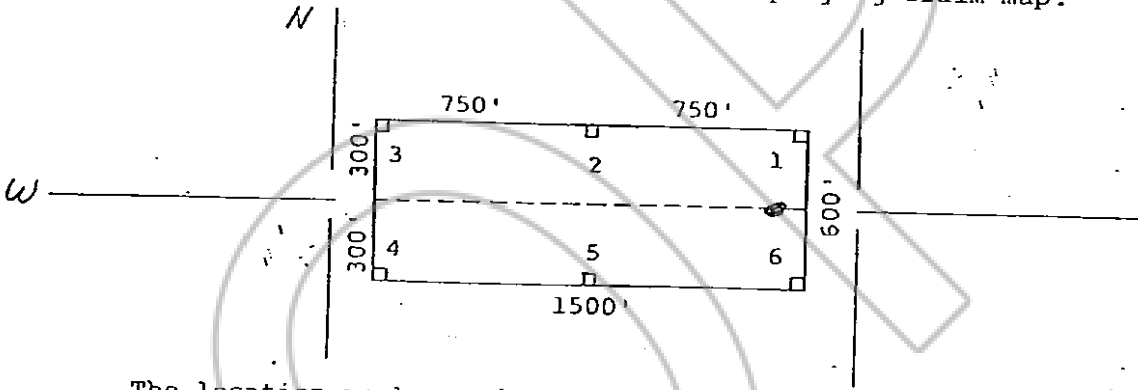
County Recorder _____
By BOOK 81 PAGE 466
Deputy Recorder

STATE OF NEVADA
CERTIFICATE OF MINING LOCATION
LODE CLAIM ON PUBLIC DOMAIN

NOTICE IS HEREBY GIVEN that the Afgan No. 19 lode mining claim has been located by AMERICAN SELCO INC., a New York corporation, whose address is 99 West Grove Street, Suite 100, Reno, Nevada 89509. The general course of this claim is East/West. This claim is 1500 feet in length along the course of the claim, being 10 feet from the point of discovery in a East direction to the East end line of this claim, and 1490 feet in a West direction to the West end line of the claim. This claim is 600 feet in width, being 300 feet in width on each side of the center line of the claim.

This claim is located within the SW Quarter of Section 20, Township 22 North, Range 51 East, Mount Diablo Base and Meridian, unknown Mining District, Eureka County, Nevada. The location monument of this claim is situated with reference to some natural object or permanent monument as follows: Corner no. 1 of this claim is located approximately 6250 feet S 45° W from the located SE corner of Section 17 T22N, R51E.
MDM.

The corners of this claim are marked by 4"x4" posts or 4" trees with metal tags inscribed with the appropriate corner number as shown on the following sketch and the accompanying claim map.



The location work consisted of making the maps as provided in NRS 517.040.

Dated and posted on the ground this 20 day of March, 1979. 1980.

Witnesses:

Locator:

RECORDED AT REQUEST OF
American Selco Inc.
BOOK 81 PAGE 467
80 MAY 30 AID: 588
OFFICIAL RECORDS
EUREKA COUNTY NEVADA
WILLIS A. DEPOSIT RECORDER
FILE NO. 73956
FEES 3.00

AMERICAN SELCO INC.

By [Signature]
Agent for
American Selco Inc.

STATE OF NEVADA)

COUNTY OF _____) ss.

I hereby certify that the within instrument was filed and recorded at the request of: _____

Witness my hand and official seal the day and year aforesaid.

FILE NO. _____
on _____
at _____
Docket _____ Page _____

County Recorder

By BOOK 81 PAGE 467
Deputy Recorder

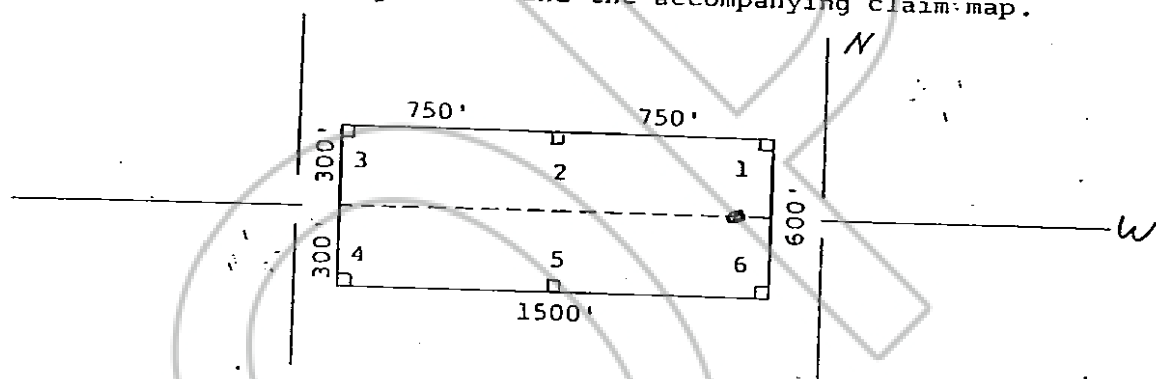
73857

STATE OF NEVADA
CERTIFICATE OF MINING LOCATION
LODE CLAIM ON PUBLIC DOMAIN

NOTICE IS HEREBY GIVEN that the Afgan No. 20 lode mining claim has been located by AMERICAN SELCO INC. a New York corporation, whose address is 99 West Grove Street, Suite 100, Reno, Nevada 89509. The general course of this claim is East/West. This claim is 1500 feet in length along the course of the claim, being 1490 feet from the point of discovery in a East direction to the East end line of this claim, and 10 feet in a West direction to the West end line of the claim. This claim is 600 feet in width, being 300 feet in width on each side of the center line of the claim.

This claim is located within the SW Quarter of Section 20, Township 22 North, Range 51 East, Mount Diablo Base and Meridian, unknown Mining District, Eureka County, Nevada. The location monument of this claim is situated with reference to some natural object or permanent monument as follows: Corner no. 1 of this claim is located approximately 6250 feet S 45° W from the located SE corner of Section 17 T22N, R51E. MDM.

The corners of this claim are marked by 4"x4" posts or 4" trees with metal tags inscribed with the appropriate corner number as shown on the following sketch and the accompanying claim map.



The location work consisted of making the maps as provided in NRS 517.040.

Dated and posted on the ground this 20 day of March, 1980.

RECORDED AT REQUEST OF
HARRY LEE A. SELCO, INC.
BOOK 81 PAGE 468

80 MAY 30 A10 55 58

OFFICIAL RECORDS
EUREKA COUNTY, NEVADA
WILLIS A. DEPADLI-RECORDER
FILE NO. 73857
FEE \$ 3.00

Locator:
AMERICAN SELCO INC.
By [Signature]
Agent for
American Selco Inc.

STATE OF NEVADA)
COUNTY OF _____) ss.

I hereby certify that the within instrument was filed and recorded at the request of: _____
FILE NO. _____
on _____
at _____
Docket _____ page _____

Witness my hand and official seal the day and year aforesaid.

County Recorder
By BOOK 81 PAGE 468
Deputy Recorder

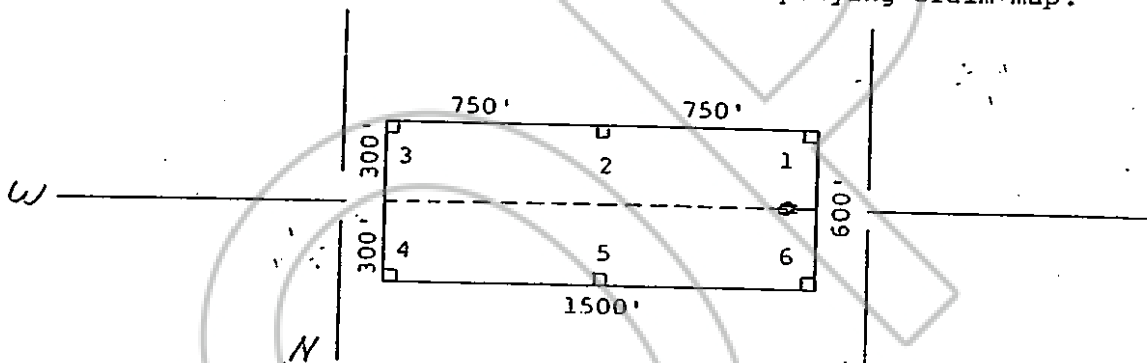
STATE OF NEVADA
 CERTIFICATE OF MINING LOCATION
 LOSE CLAIM ON PUBLIC DOMAIN

73058

NOTICE IS HEREBY GIVEN that the Afgan No. 21 lode mining claim has been located by AMERICAN SELCO INC. a New York corporation, whose address is 90 West Grove Street, Suite 100, Reno, Nevada 89509. The general course of this claim is East/West. This claim is 1500 feet in length along the course of the claim, being 10 feet from the point of discovery in a East direction to the East end line of this claim, and 1790 feet in a West direction to the West end line of the claim. This claim is 600 feet in width, being 300 feet in width on each side of the center line of the claim.

This claim is located within the SW Quarter of Section 20, Township 22 North, Range 51 East, Mount Diablo Base and Meridian, unknown Mining District, Eureka County, Nevada. The location monument of this claim is situated with reference to some natural object or permanent monument as follows: Corner no. 1 of this claim is located approximately 7150 feet S 38°W from the located SE corner of Section 17 T22N, R51E. MDM.

The corners of this claim are marked by 4"x4" posts or 4" trees with metal tags inscribed with the appropriate corner number as shown on the following sketch and the accompanying claim map.



The location work consisted of making the maps as provided in NRS 517.040.

Dated and posted on the ground this 20 day of March, 1979. 1980.

RECORDED AT REQUEST OF
American Selco Inc.
 BOOK 81 PAGE 469
 80 MAY 30 AD: 58

OFFICE OF RECORDS
 EUREKA COUNTY, NEVADA
 WILLIS A. DEVLIN, RECORDER
 FILE NO. 73058
 FEE \$ 3.00

Locator:
AMERICAN SELCO INC.

By [Signature]
 Agent for
American Selco Inc.

STATE OF NEVADA)
) ss.
 COUNTY OF _____)

I hereby certify that the within instrument was filed and recorded at the request of:
 FILE NO. _____
 on _____
 at _____
 Docket _____ Page _____

Witness my hand and official seal the day and year aforesaid.

 County Recorder
 By BOOK 81 PAGE 469
 Deputy Recorder

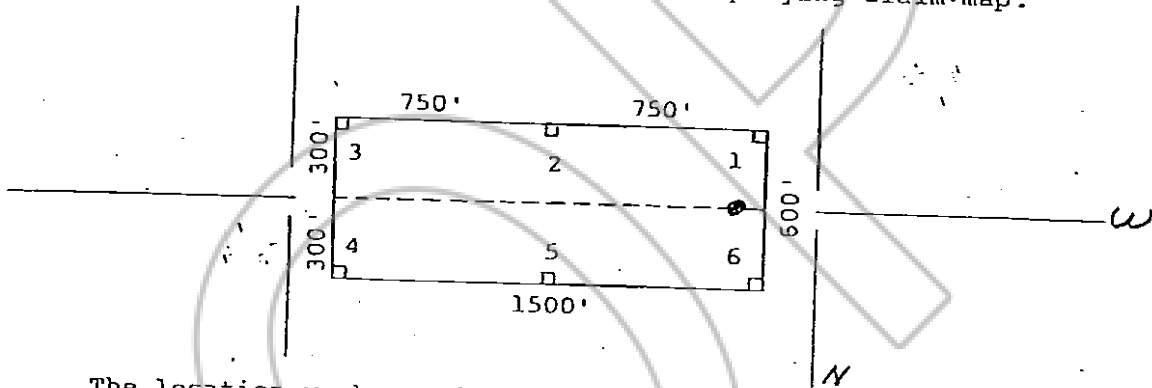
73859

STATE OF NEVADA
CERTIFICATE OF MINING LOCATION
LODE CLAIM ON PUBLIC DOMAIN

NOTICE IS HEREBY GIVEN that the Afgan No. 22 lode mining claim has been located by AMERICAN SELCO INC. a New York corporation, whose address is 99 West Grove Street, Suite 100, Reno, Nevada 89509. The general course of this claim is East/West. This claim is 1500 feet in length along the course of the claim, being 1490 feet from the point of discovery in a East direction to the East end line of this claim, and 10 feet in a West direction to the West end line of the claim. This claim is 600 feet in width, being 300 feet in width on each side of the center line of the claim.

This claim is located within the SW Quarter of Section 20, Township 22 North, Range 51 East, Mount Diablo Base and Meridian, unknown Mining District, Eureka County, Nevada. The location monument of this claim is situated with reference to some natural object or permanent monument as follows: Corner no. 1 of this claim is located approximately 750 feet S 38° W from the located SE corner of Section 17 T22N, R51E.
MDM.

The corners of this claim are marked by 4"x4" posts or 4" trees with metal tags inscribed with the appropriate corner number as shown on the following sketch and the accompanying claim map.



The location work consisted of making the maps as provided in NRS 517.040.

Dated and posted on the ground this 20 day of March, ~~1979~~ 1980.

Witnesses:

RECORDED AT REQUEST OF
American Selco Inc. Inc.
BOOK 81 PAGE 470

80 MAY 30 AID: 58

OFFICIAL RECORDS
EUREKA COUNTY, NEVADA
WILLIS A. DEPAUL RECORDER
FILE NO. 73859
FEE \$

Locator:

AMERICAN SELCO INC.

By [Signature]
Agent for
American Selco Inc.

STATE OF NEVADA)

COUNTY OF _____) ss.

I hereby certify that the within instrument was filed and recorded at the request of: _____

FILE NO. _____

On _____

at _____

Docket _____ Page _____

Witness my hand and official seal the day and year aforesaid.

County Recorder _____

By BOOK 81 PAGE 470
Deputy Recorder

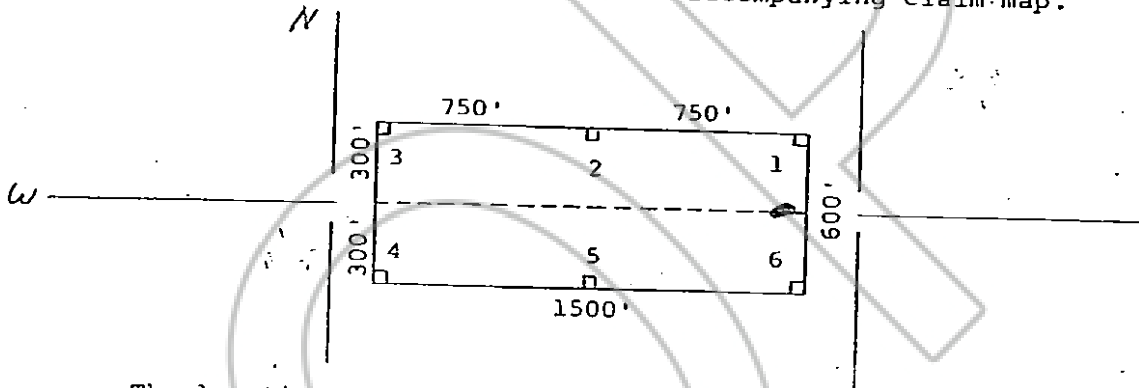
73860

STATE OF NEVADA
CERTIFICATE OF MINING LOCATION
LODE CLAIM ON PUBLIC DOMAIN

NOTICE IS HEREBY GIVEN that the Afgan No. 23 lode mining claim has been located by AMERICAN SELCO INC., a New York corporation, whose address is 90 West Grove Street, Suite 100, Reno, Nevada 89509. The general course of this claim is East/West. This claim is 1500 feet in length along the course of the claim, being 10 feet from the point of discovery in a East direction to the East end line of this claim, and 1290 feet in a West direction to the West end line of the claim. This claim is 600 feet in width, being 300 feet in width on each side of the center line of the claim.

This claim is located within the NW Quarter of Section 29, Township 22 North, Range 51 East, Mount Diablo Base and Meridian, unknown Mining District, Eureka County, Nevada. The location monument of this claim is situated with reference to some natural object or permanent monument as follows: Corner no. 1 of this claim is located approximately 750 feet S 38°W from the located SE corner of Section 17 T22N, R51E. MDM.

The corners of this claim are marked by 4"x4" posts or 4" trees with metal tags inscribed with the appropriate corner number as shown on the following sketch and the accompanying claim map.



The location work consisted of making the maps as provided in NRS 517.040.

Dated and posted on the ground this 26 day of March, 1979. 1980.

RECORDED AT REQUEST DE
American Selco, Inc.
BOOK 81 PAGE 471
80 MAY 30 AID: 59

OFFICIAL RECORDS
EUREKA COUNTY, NEVADA
WILLIS A. DEPAUL RECORDER
FILE NO. 73860
FEE \$ 3.00

Locator:
AMERICAN SELCO INC.
By [Signature]
Agent for
American Selco Inc.

STATE OF NEVADA)
COUNTY OF _____) ss.

I hereby certify that the within instrument was filed and recorded at the request of: _____
FILE NO. _____
on _____
at _____
Docket _____ Page _____

Witness my hand and official seal the day and year aforesaid.

County Recorder
By BOOK 81 PAGE 471
Deputy Recorder

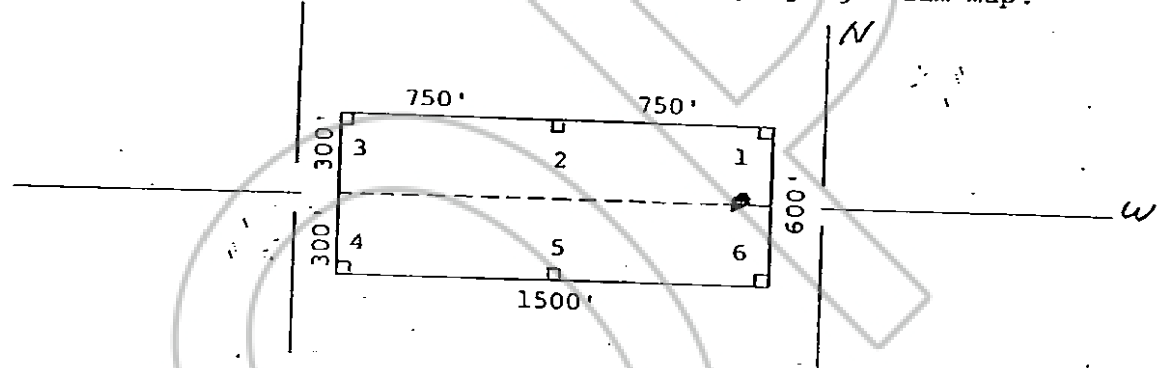
73861

STATE OF NEVADA
CERTIFICATE OF MINING LOCATION
LODE CLAIM ON PUBLIC DOMAIN

NOTICE IS HEREBY GIVEN that the Afgan No. 24 lode mining claim has been located by AMERICAN SELCO INC., a New York corporation, whose address is 90 West Grove Street, Suite 100, Reno, Nevada 89509. The general course of this claim is East/West. This claim is 1500 feet in length along the course of the claim, being 1490 feet from the point of discovery in a East direction to the East end line of this claim, and 10 feet in a West direction to the West end line of the claim. This claim is 600 feet in width, being 300 feet in width on each side of the center line of the claim.

This claim is located within the NW Quarter of Section 29, Township 22 North, Range 51 East, Mount Diablo Base and Meridian, unknown Mining District, Eureka County, Nevada. The location monument of this claim is situated with reference to some natural object or permanent monument as follows: Corner no. 1 of this claim is located approximately 7150 feet S 38°W from the located SE corner of Section 17 T22N, R51E.
MDM.

The corners of this claim are marked by 4"x4" posts or 4" trees with metal tags inscribed with the appropriate corner number as shown on the following sketch and the accompanying claim map.



The location work consisted of making the maps as provided in NRS 517.040.

Dated and posted on the ground this 20 day of March, 1979. 1980.

Witnesses:

Locator:

RECORDED AT REQUEST OF
American Selco Inc.
BOOK 81 PAGE 472
MAY 30 AID: 59
OFFICIAL RECORDS
EUREKA COUNTY, NEVADA
WILLIS A. DUPAS, RECORDER
FILE NO. 73861
FEE \$ 3.00
OF NEVADA)
COUNTY OF _____) ss.)

AMERICAN SELCO INC.

By [Signature]
Agent for
American Selco Inc.

I hereby certify that the within instrument was filed and recorded at the request of: _____
FILE NO. _____
on _____
at _____
Docket _____ page _____

Witness my hand and official seal the day and year aforesaid.

County Recorder

By BOOK 81 PAGE 472
Deputy Recorder

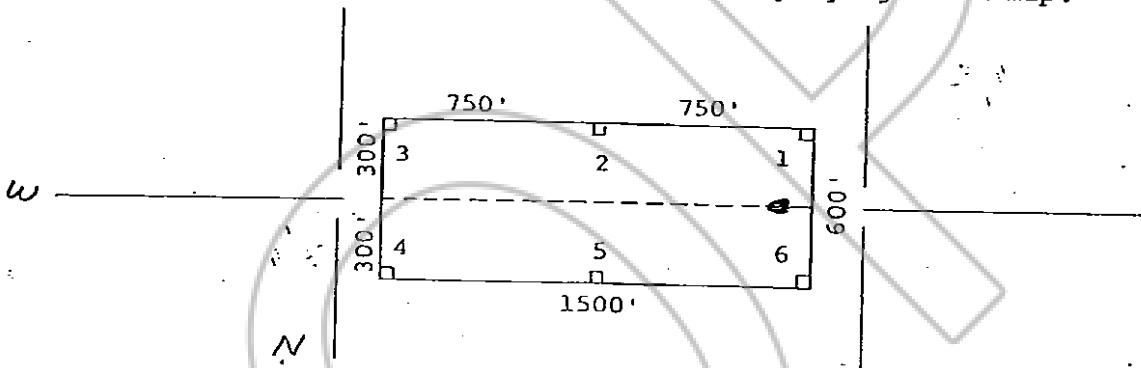
STATE OF NEVADA
 CERTIFICATE OF MINING LOCATION
 LODE CLAIM ON PUBLIC DOMAIN

73862

NOTICE IS HEREBY GIVEN that the Afgan No. 25 lode mining claim has been located by AMERICAN SELCO INC. a New York corporation, whose address is 90 West Grove Street, Suite 100, Reno, Nevada 89509. The general course of this claim is East/West. This claim is 1500 feet in length along the course of the claim, being 10 feet from the point of discovery in a East direction to the East end line of this claim, and 1490 feet in a West direction to the West end line of the claim. This claim is 600 feet in width, being 300 feet in width on each side of the center line of the claim.

This claim is located within the NW Quarter of Section 29, Township 22 North, Range 51 East, Mount Diablo Base and Meridian, unknown Mining District, Eureka County, Nevada. The location monument of this claim is situated with reference to some natural object or permanent monument as follows: Corner no. 1 of this claim is located approximately 850 feet S 35° W from the located SE corner of Section 17 T22N, R51E. MDM.

The corners of this claim are marked by 4"x4" posts or 4" trees with metal tags inscribed with the appropriate corner number as shown on the following sketch and the accompanying claim map.



The location work consisted of making the maps as provided in NRS 517.040.

Dated and posted on the ground this 20 day of March, 1979. 1980.

RECORDED AT REQUEST OF
 American Selco Inc.
 BOOK 81 PAGE 473

80 MAY 30 A10:59
 OFFICIAL RECORDS
 EUREKA COUNTY, NEVADA
 WILLIS A. DEPAUL - RECORDER
 FILE NO. 73862
 FEE \$ 3.00

Locator:
 AMERICAN SELCO INC.
 By [Signature]
 Agent for
 American Selco Inc.

STATE OF NEVADA)
) ss.
 COUNTY OF _____)

I hereby certify that the within instrument was filed and recorded at the request of:
 FILE NO. _____
 on _____
 at _____
 Docket _____ Page _____

Witness my hand and official seal the day and year aforesaid.

 County Recorder
 By BOOK 81 PAGE 473
 Deputy Recorder

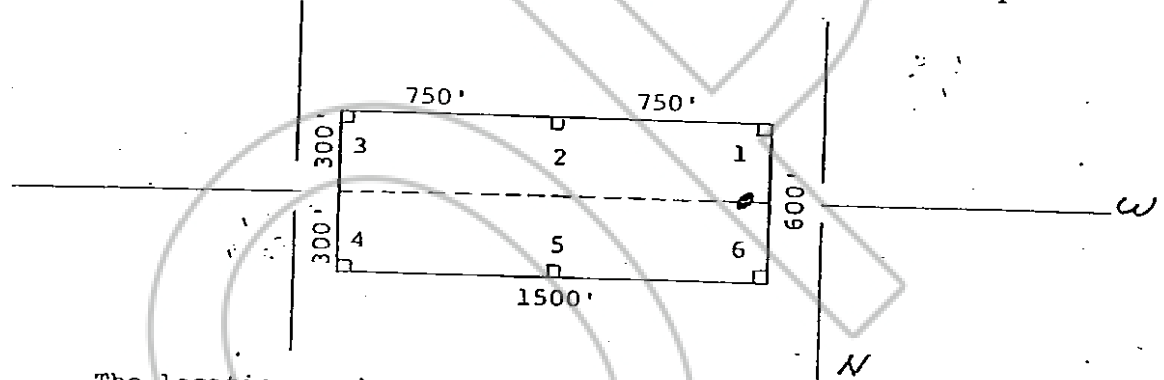
73963

STATE OF NEVADA
CERTIFICATE OF MINING LOCATION
LODE CLAIM ON PUBLIC DOMAIN

NOTICE IS HEREBY GIVEN that the Afgan No. 26 lode mining claim has been located by AMERICAN SELCO INC. a New York corporation, whose address is 99 West Grove Street, Suite 100, Reno, Nevada 89509. The general course of this claim is East/West. This claim is 1500 feet in length along the course of the claim, being 1490 feet from the point of discovery in a East direction to the East end line of this claim, and 10 feet in a West direction to the West end line of the claim. This claim is 600 feet in width, being 300 feet in width on each side of the center line of the claim.

This claim is located within the NW Quarter of Section 29, Township 22 North, Range 51 East, Mount Diablo Base and Meridian, unknown Mining District, Eureka County, Nevada. The location monument of this claim is situated with reference to some natural object or permanent monument as follows: Corner no. 1 of this claim is located approximately 8150 feet S 35° W from the located SE corner of Section 17 T22N, R51E. MDM.

The corners of this claim are marked by 4"x4" posts or 4" trees with metal tags inscribed with the appropriate corner number as shown on the following sketch and the accompanying claim map.



The location work consisted of making the maps as provided in NRS 517.040.

Dated and posted on the ground this 26 day of March, 1979 1980.

RECORDED AT REQUEST OF: American Selco Inc.
BOOK 81 PAGE 474
80 MAY 30 A.D. 1980
OFFICIAL RECORDERS
EUREKA COUNTY, NEVADA
WILLIS A. DE PAUL RECORDER
FILE NO. 73963
FEE \$ 3.00

Locator:
AMERICAN SELCO INC.

By [Signature]
Agent for
American Selco Inc.

STATE OF NEVADA)
COUNTY OF _____) ss.

I hereby certify that the within instrument was filed and recorded at the request of: _____
FILE NO. _____
on _____
at _____
Docket _____ Page _____

Witness my hand and official seal the day and year aforesaid.

County Recorder
By BOOK 81 PAGE 474
Deputy Recorder

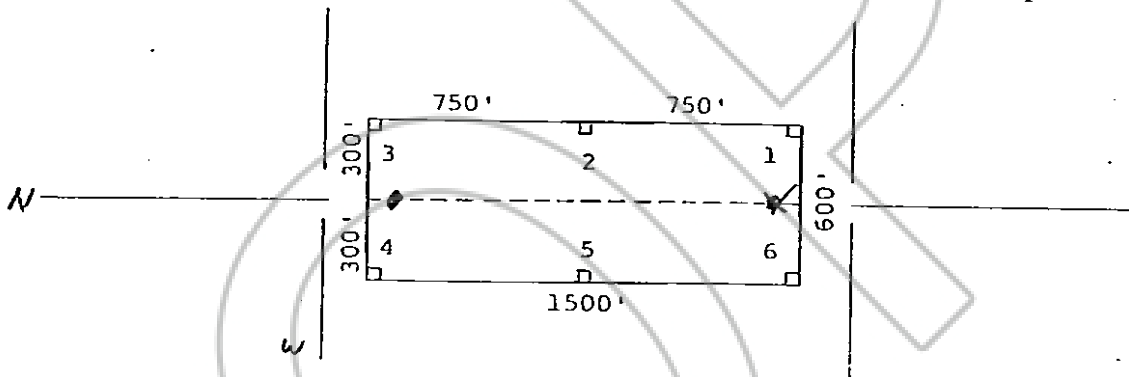
STATE OF NEVADA
 CERTIFICATE OF MINING LOCATION
 LODE CLAIM ON PUBLIC DOMAIN

73864

NOTICE IS HEREBY GIVEN that the Afgan No. 27 lode mining claim has been located by AMERICAN SELCO INC. a New York corporation, whose address is 90 West Grove Street, Suite 100, Reno, Nevada 89509. The general course of this claim is East/West. This claim is 1500 feet in length along the course of the claim, being 1490 feet from the point of discovery in a East direction to the East end line of this claim, and 10 feet in a West direction to the West end line of the claim. This claim is 600 feet in width, being 300 feet in width on each side of the center line of the claim.

This claim is located within the NE Quarter of Section 20, Township 22 North, Range 51 East, Mount Diablo Base and Meridian, unknown Mining District, Eureka County, Nevada. The location monument of this claim is situated with reference to some natural object or permanent monument as follows: Corner no. 1 of this claim is located approximately 750 feet N73°0W from the located SE corner of Section 17 T22N, R51E. MDM.

The corners of this claim are marked by 4"x4" posts or 4" trees with metal tags inscribed with the appropriate corner number as shown on the following sketch and the accompanying claim map.



The location work consisted of making the maps as provided in NRS 517.040.

Dated and posted on the ground this 10 day of April, 1979. 1980. March

RECORDED AT REQUEST OF
 American Selco Inc.
 BOOK 81 PAGE 475
 80 MAY 30 AM 1:55

OFFICE OF THE COUNTY CLERK
 EUREKA COUNTY, NEVADA
 WILLIS A. SPRAGUE, RECORDER
 FILE NO. 73864
 FEE \$3.00

Locator:

AMERICAN SELCO INC.

By [Signature]
 Agent for
 American Selco Inc.

STATE OF NEVADA)
) ss.
 COUNTY OF _____)

I hereby certify that the within instrument was filed and recorded at the request of:

FILE NO. _____
 on _____
 at _____
 Docket _____ Page _____

Witness my hand and official seal the day and year aforesaid.

County Recorder
 By BOOK 81 PAGE 475
 Deputy Recorder

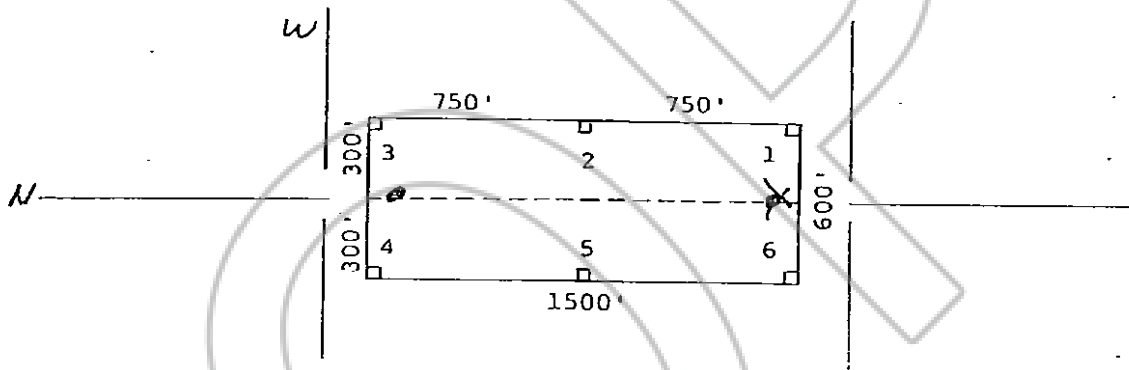
STATE OF NEVADA
 CERTIFICATE OF MINING LOCATION
 LODE CLAIM ON PUBLIC DOMAIN

73865

NOTICE IS HEREBY GIVEN that the Afgan No. 28 lode mining claim has been located by AMERICAN SELCO INC. a New York corporation, whose address is 99 West Grove Street, Suite 100, Reno, Nevada 89509. The general course of this claim is East/West. This claim is 1500 feet in length along the course of the claim, being 1490 feet from the point of discovery in a East direction to the East end line of this claim, and 10 feet in a West direction to the West end line of the claim. This claim is 600 feet in width, being 300 feet in width on each side of the center line of the claim.

This claim is located within the N/E Quarter of Section 20, Township 22 North, Range 51 East, Mount Diablo Base and Meridian, unknown Mining District, Eureka County, Nevada. The location monument of this claim is situated with reference to some natural object or permanent monument as follows: Corner no. 1 of this claim is located approximately 1750 feet N 73° W from the located SE corner of Section 17 T22N, R51E, MDM.

The corners of this claim are marked by 4"x4" posts or 4" trees with metal tags inscribed with the appropriate corner number as shown on the following sketch and the accompanying claim map.



The location work consisted of making the maps as provided in NRS 517.040.

Dated and posted on the ground this 10 day of April, ~~1979~~ 1980.

Witnesses:

Locator:

RECORDED AT REQUEST OF
 American Selco, Inc.
 BOOK 81 PAGE 476
 80 MAY 30 AID: 59

OFFICE OF RECORDERS
 EUREKA COUNTY, NEVADA
 WILLIS A. HANCOCK - RECORDER
 FILE NO. 73865
 FILE \$3.00

AMERICAN SELCO INC.

By [Signature]
 Agent for
 American Selco Inc.

STATE OF NEVADA)
) ss.
 COUNTY OF _____)

I hereby certify that the within instrument was filed and recorded at the request of:

Witness my hand and official seal the day and year aforesaid.

FILE NO. _____
 on _____
 at _____
 Docket _____ Page _____

County Recorder _____
 By BOOK 81 PAGE 476
 Deputy Recorder

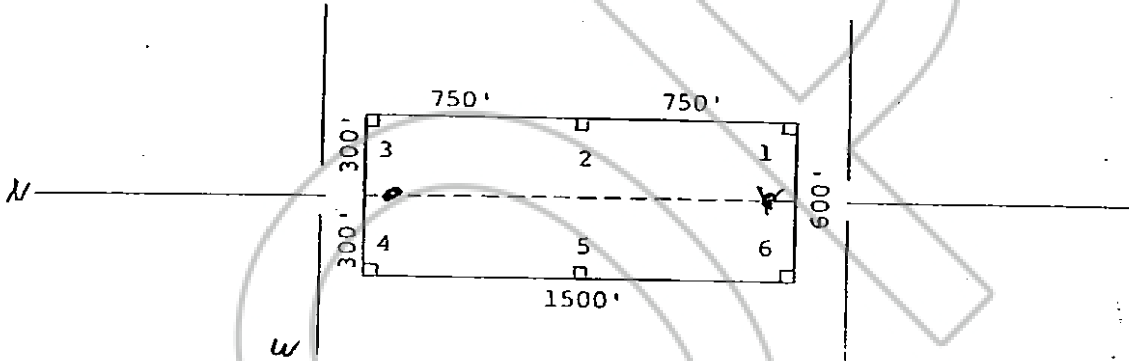
73866

STATE OF NEVADA
CERTIFICATE OF MINING LOCATION
LODE CLAIM ON PUBLIC DOMAIN

NOTICE IS HEREBY GIVEN that the Afgan No. 29 lode mining claim has been located by AMERICAN SELCO INC. a New York corporation, whose address is 90 West Grove Street, Suite 100, Reno, Nevada 89509. The general course of this claim is East/West. This claim is 1500 feet in length along the course of the claim, being 1490 feet from the point of discovery in a East direction to the East end line of this claim, and 10 feet in a West direction to the West end line of the claim. This claim is 600 feet in width, being 300 feet in width on each side of the center line of the claim.

This claim is located within the NE Quarter of Section 20, Township 22 North, Range 51 East, Mount Diablo Base and Meridian, unknown Mining District, Eureka County, Nevada. The location monument of this claim is situated with reference to some natural object or permanent monument as follows: Corner no. 1 of this claim is located approximately 1600 feet S 67°W from the located SE corner of Section 17 T22N, R51E MDM.

The corners of this claim are marked by 4"x4" posts or 4" trees with metal tags inscribed with the appropriate corner number as shown on the following sketch and the accompanying claim map.



The location work consisted of making the maps as provided in NRS 517.040.

Dated and posted on the ground this 10 day of April, ~~1979~~ 1980.

Witnesses:

Locator:

RECORDED AT REQUEST OF
American Selco Inc.
BOOK 81 PAGE 477
80 MAY 30 A 10:58
OFFICIAL RECORDS
EUREKA COUNTY, NEVADA
WILLIS A. DEPAUL, CLERK
FILE NO. 73866
FILE \$ 3.00

AMERICAN SELCO INC.
By [Signature]
Agent for
American Selco Inc.

STATE OF NEVADA)
) ss.
COUNTY OF _____)

I hereby certify that the within instrument was filed and recorded at the request of: _____
FILE NO. _____
on _____
at _____
Docket _____ Page _____

Witness my hand and official seal the day and year aforesaid.

County Recorder
By BOOK 81 PAGE 477
Deputy Recorder

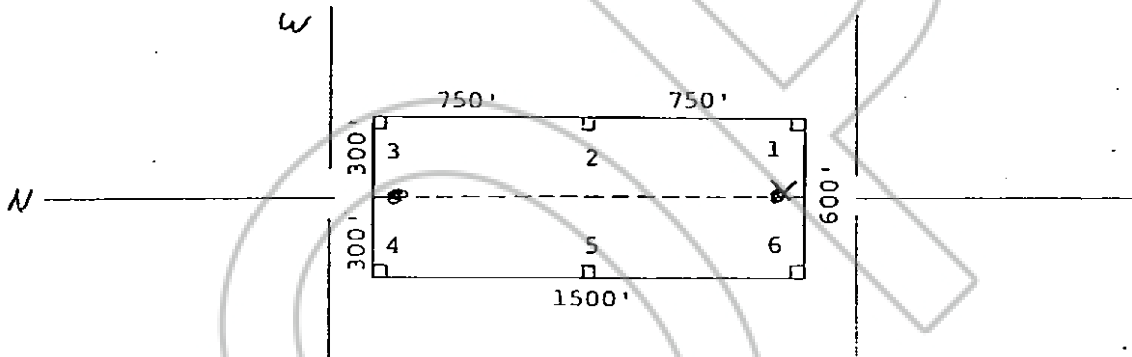
STATE OF NEVADA
 CERTIFICATE OF MINING LOCATION
 LODE CLAIM ON PUBLIC DOMAIN

73867

NOTICE IS HEREBY GIVEN that the Afgan No. 30 lode mining claim has been located by AMERICAN SELCO INC. a New York corporation, whose address is 90 West Grove Street, Suite 100, Reno, Nevada 89509. The general course of this claim is East/West. This claim is 1500 feet in length along the course of the claim, being 1490 feet from the point of discovery in a East direction to the East end line of this claim, and 10 feet in a West direction to the West end line of the claim. This claim is 600 feet in width, being 300 feet in width on each side of the center line of the claim.

This claim is located within the NE Quarter of Section 20, Township 22 North, Range 51 East, Mount Diablo Base and Meridian, unknown Mining District, Eureka County, Nevada. The location monument of this claim is situated with reference to some natural object or permanent monument as follows: Corner no. 1 of this claim is located approximately 1600 feet S 67°W from the located SE corner of Section 17 T22N, R51E. MDM.

The corners of this claim are marked by 4"x4" posts or 4" trees with metal tags inscribed with the appropriate corner number as shown on the following sketch and the accompanying claim map.



The location work consisted of making the maps as provided in NRS 517.040.

Dated and posted on the ground this 10 day of April ~~March~~, 1979. 1980.

Witnesses:

Locator:

RECORDED AT REQUEST OF
 American Selco Inc.
 BOOK 81 PAGE 478
 1980 MAY 30 AID: 59
 OFFICE OF RECORDS
 EUREKA COUNTY, NEVADA
 WILLIS A. DEWATER
 FILE NO. 73867
 FILE \$3.00

AMERICAN SELCO INC.

By [Signature]
 Agent for
 American Selco Inc.

STATE OF NEVADA)
) ss.
 COUNTY OF _____)

I hereby certify that the within instrument was filed and recorded at the request of: _____
 FILE NO. _____
 on _____
 at _____
 Docket _____ Page _____

Witness my hand and official seal the day and year aforesaid.

 County Recorder
 By BOOK 81 PAGE 478
 Deputy Recorder

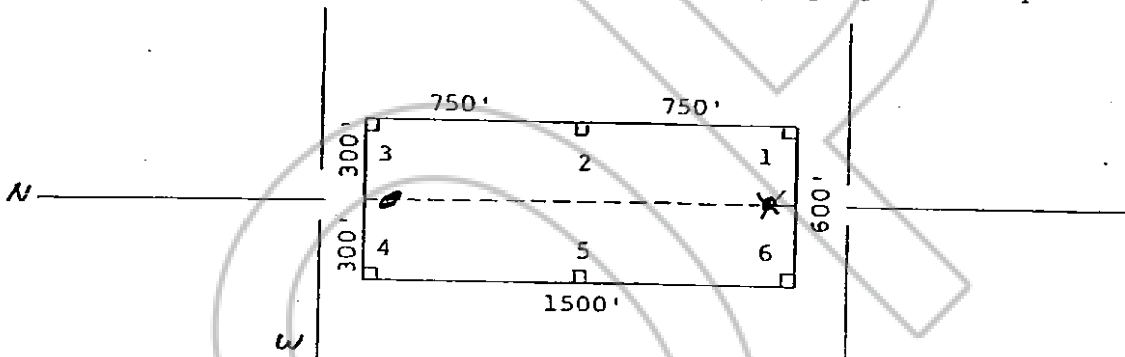
73968

STATE OF NEVADA
CERTIFICATE OF MINING LOCATION
LODE CLAIM ON PUBLIC DOMAIN

NOTICE IS HEREBY GIVEN that the Afgan No. 31 lode mining claim has been located by AMERICAN SELCO INC. a New York corporation, whose address is 90 West Grove Street, Suite 100, Reno, Nevada 89509. The general course of this claim is East/West. This claim is 1500 feet in length along the course of the claim, being 1490 feet from the point of discovery in a East direction to the East end line of this claim, and 10 feet in a West direction to the West end line of the claim. This claim is 600 feet in width, being 300 feet in width on each side of the center line of the claim.

This claim is located within the NE Quarter of Section 20, Township 22 North, Range 51 East, Mount Diablo Base and Meridian, unknown Mining District, Eureka County, Nevada. The location monument of this claim is situated with reference to some natural object or permanent monument as follows: Corner no. 1 of this claim is located approximately 2500 feet S 41° W from the located SE corner of Section 17 T22N, R51E. MDM.

The corners of this claim are marked by 4"x4" posts or 4" trees with metal tags inscribed with the appropriate corner number as shown on the following sketch and the accompanying claim map.



The location work consisted of making the maps as provided in NRS 517.040.

Dated and posted on the ground this 10 day of April, ~~1979~~ 1980.

RECORDED AT REQUEST OF
American Selco Inc.
BOOK 81 PAGE 479
80 MAY 30 AID: 58

OFFICIAL RECORDS
EUREKA COUNTY, NEVADA
WILLIS A. DEPAUL RECORDER
FILE NO. 73968
FILE S 3-80

Locator:
AMERICAN SELCO INC.

By [Signature]
Agent for
American Selco Inc.

STATE OF NEVADA)
) ss.
COUNTY OF _____)

I hereby certify that the within instrument was filed and recorded at the request of: _____
FILE NO. _____
on _____
at _____
Docket _____ Page _____

Witness my hand and official seal the day and year aforesaid.

County Recorder
By BOOK 81 PAGE 479
Deputy Recorder

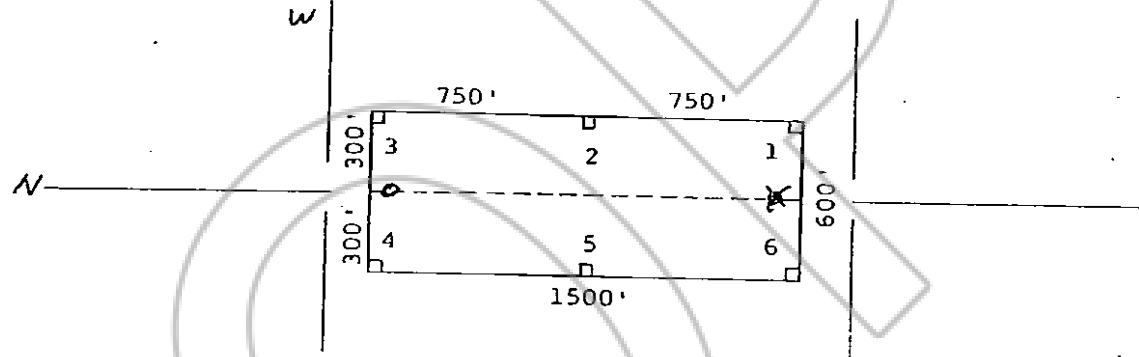
STATE OF NEVADA
 CERTIFICATE OF MINING LOCATION
 LODE CLAIM ON PUBLIC DOMAIN

73869

NOTICE IS HEREBY GIVEN that the Afgan No. 32 lode mining claim has been located by AMERICAN SELCO INC. a New York corporation, whose address is 99 West Grove Street, Suite 100, Reno, Nevada 89509. The general course of this claim is East/West. This claim is 1500 feet in length along the course of the claim, being 1490 feet from the point of discovery in a East direction to the East end line of this claim, and 10 feet in a West direction to the West end line of the claim. This claim is 600 feet in width, being 300 feet in width on each side of the center line of the claim.

This claim is located within the NE Quarter of Section 20, Township 22 North, Range 51 East, Mount Diablo Base and Meridian, unknown Mining District, Eureka County, Nevada. The location monument of this claim is situated with reference to some natural object or permanent monument as follows: Corner no. 1 of this claim is located approximately 2500 feet S 41° W from the located SE corner of Section 17 T22N, R51E. MDM.

The corners of this claim are marked by 4"x4" posts or 4" trees with metal tags inscribed with the appropriate corner number as shown on the following sketch and the accompanying claim map.



The location work consisted of making the maps as provided in NRS 517.040.

Dated and posted on the ground this 11 day of March, ~~1979~~ 1980.

RECORDED AT REQUEST OF
 American Selco, Inc.
 BOOK 81 PAGE 480
 80 MAY 30 A10:59

OFFICE REC'D
 EUREKA COUNTY NEVADA
 WILLIS A. DEPAUL RECORDER
 FILED 73869
 FEE 3.00

Locator:
 AMERICAN SELCO INC.

By [Signature]
 Agent for
 American Selco Inc.

STATE OF NEVADA)
) ss.
 COUNTY OF _____)

I hereby certify that the within instrument was filed and recorded at the request of:
 FILE NO. _____
 on _____
 at _____
 Docket _____ Page _____

Witness my hand and official seal the day and year aforesaid.

 County Recorder
 By BOOK 81 PAGE 480
 Deputy Recorder

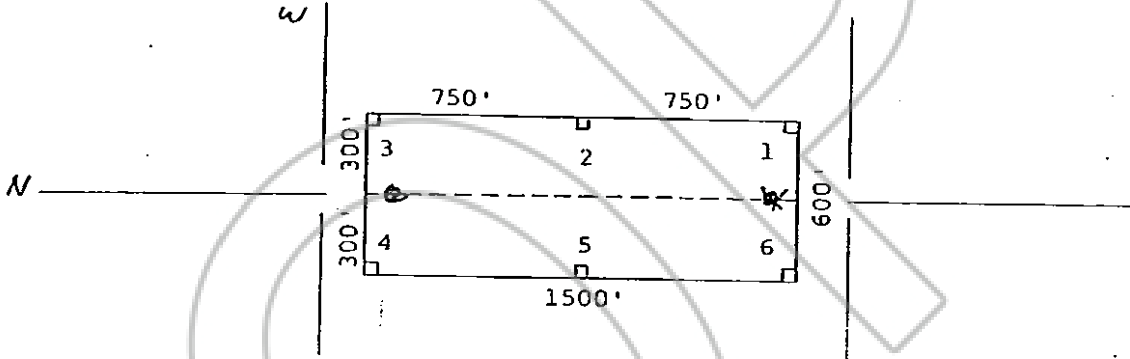
73871

STATE OF NEVADA
CERTIFICATE OF MINING LOCATION
LODE CLAIM ON PUBLIC DOMAIN

NOTICE IS HEREBY GIVEN that the Afgan No. 34 lode mining claim has been located by AMERICAN SELCO INC. a New York corporation, whose address is 90 West Grove Street, Suite 100, Reno, Nevada 89509. The general course of this claim is East/West. This claim is 1500 feet in length along the course of the claim, being 1490 feet from the point of discovery in a East direction to the East end line of this claim, and 10 feet in a West direction to the West end line of the claim. This claim is 600 feet in width, being 300 feet in width on each side of the center line of the claim.

This claim is located within the SE Quarter of Section 20, Township 22 North, Range 51 East, Mount Diablo Base and Meridian, unknown Mining District, Eureka County, Nevada. The location monument of this claim is situated with reference to some natural object or permanent monument as follows: Corner no. 1 of this claim is located approximately 3500 feet S 28° W from the located SE corner of Section 17 T22N, R51E. MDM.

The corners of this claim are marked by 4"x4" posts or 4" trees with metal tags inscribed with the appropriate corner number as shown on the following sketch and the accompanying claim map.



The location work consisted of making the maps as provided in NRS 517.040.

Dated and posted on the ground this 11 day of April, 1979. 1980. March

Witnesses:

Locator:

AMERICAN SELCO INC.

By [Signature]
Agent for
American Selco Inc.

RECORDED AT REQUEST OF
American Selco Inc.
BOOK 81 PAGE 482
80 MAR 30 AID: 59
OF NEVADA
EUREKA COUNTY
WILLIS A. DUNN, CLERK
FILE NO. 73871
FEE \$ 3.00

I hereby certify that the within instrument was filed and recorded at the request of: _____
FILE NO. _____
on _____
at _____
Docket _____ Page _____

Witness my hand and official seal the day and year aforesaid.

County Recorder
By BOOK 81 PAGE 482
Deputy Recorder

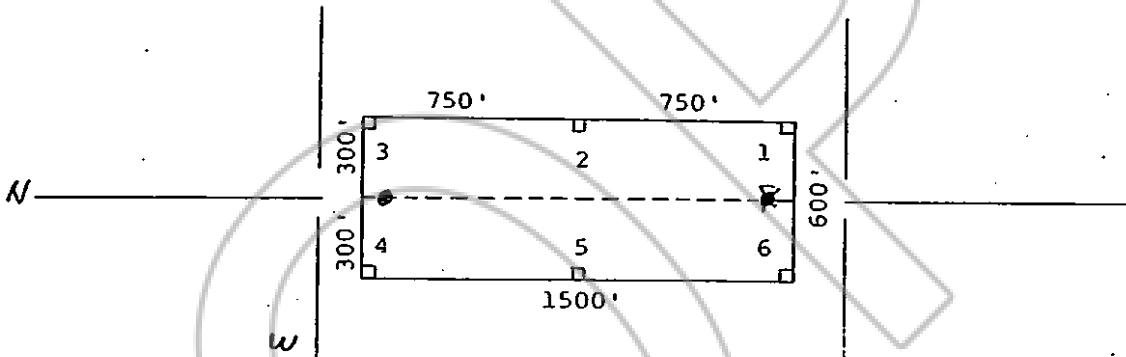
73872

STATE OF NEVADA
CERTIFICATE OF MINING LOCATION
LODE CLAIM ON PUBLIC DOMAIN

NOTICE IS HEREBY GIVEN that the Afgan No. 35 lode mining claim has been located by AMERICAN SELCO INC. a New York corporation, whose address is 99 West Grove Street, Suite 100, Reno, Nevada 89509. The general course of this claim is East/West. This claim is 1500 feet in length along the course of the claim, being 1490 feet from the point of discovery in a East direction to the East end line of this claim, and 10 feet in a West direction to the West end line of the claim. This claim is 600 feet in width, being 300 feet in width on each side of the center line of the claim.

This claim is located within the SE Quarter of Section 20, Township 22 North, Range 51 East, Mount Diablo Base and Meridian, unknown Mining District, Eureka County, Nevada. The location monument of this claim is situated with reference to some natural object or permanent monument as follows: Corner no. 1 of this claim is located approximately 4550 feet S 21° W from the located SE corner of Section 17 T22N, R51E.
MDM.

The corners of this claim are marked by 4"x4" posts or 4" trees with metal tags inscribed with the appropriate corner number as shown on the following sketch and the accompanying claim map.



The location work consisted of making the maps as provided in NRS 517.040.

Dated and posted on the ground this 11 day of April, ~~1979~~ 1980.

Locator:

AMERICAN SELCO INC.

By [Signature]
Agent for
American Selco Inc.

RECORDED AT REQUEST OF
Amex Corp. Selco Inc.
BOOK 81 PAGE 483
80 MAY 30 410: 59
OFFICIAL RECORDS
EUREKA COUNTY, NEVADA
WILLIS A. DEPASO, RECORDER
FILE NO. 73872
FEE \$3.00

STATE OF NEVADA)
) ss.
COUNTY OF _____)

I hereby certify that the within instrument was filed and recorded at the request of: _____

FILE NO. _____
on _____
at _____
Docket _____ Page _____

Witness my hand and official seal the day and year aforesaid.

County Recorder
By BOOK 81 PAGE 483
Deputy Recorder

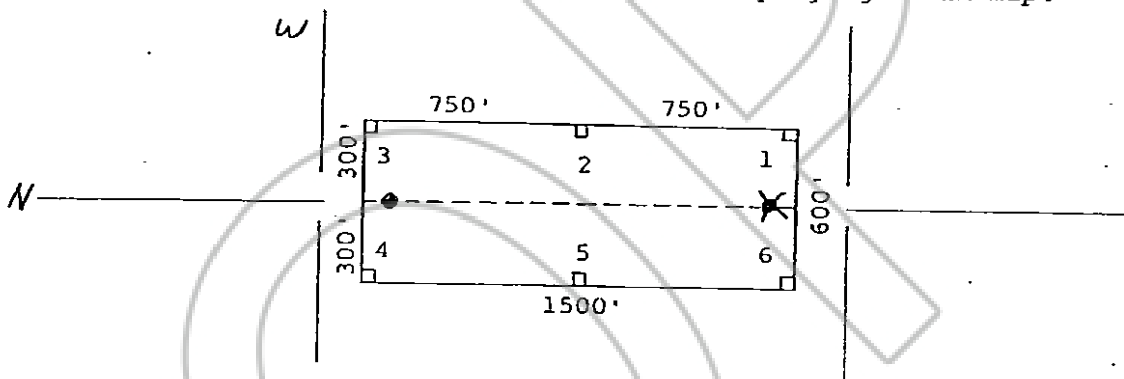
73973

STATE OF NEVADA
CERTIFICATE OF MINING LOCATION
LODE CLAIM ON PUBLIC DOMAIN

NOTICE IS HEREBY GIVEN that the Afgan No. 36 lode mining claim has been located by AMERICAN SELCO INC. a New York corporation, whose address is 90 West Grove Street, Suite 100, Reno, Nevada 89509. The general course of this claim is East/West. This claim is 1500 feet in length along the course of the claim, being 1490 feet from the point of discovery in a East direction to the East end line of this claim, and 10 feet in a West direction to the West end line of the claim. This claim is 600 feet in width, being 300 feet in width on each side of the center line of the claim.

This claim is located within the SE Quarter of Section 20, Township 22 North, Range 51 East, Mount Diablo Base and Meridian, unknown Mining District, Eureka County, Nevada. The location monument of this claim is situated with reference to some natural object or permanent monument as follows: Corner no. 1 of this claim is located approximately 4550 feet S 21° 0' W from the located SE corner of Section 17 T22N, R51E. MDM.

The corners of this claim are marked by 4"x4" posts or 4" trees with metal tags inscribed with the appropriate corner number as shown on the following sketch and the accompanying claim map.



The location work consisted of making the maps as provided in NRS 517.040.

Dated and posted on the ground this 11 day of April ~~March~~ 1979. 1980.

RECORDED AT REQUEST OF
American Selco, Inc.
BOOK 81 PAGE 484
80 MAY 30 A.M. 5:55

OFFICIAL RECORDS
EUREKA COUNTY NEVADA
WILLIS A. DODD, CLERK
FILE NO. 73973
FEE \$3.00

Locator:
AMERICAN SELCO INC.

By [Signature]
Agent for
American Selco Inc.

STATE OF NEVADA)
COUNTY OF _____) ss.

I hereby certify that the within instrument was filed and recorded at the request of: _____
FILE NO. _____
on _____
at _____
Docket _____ Page _____

Witness my hand and official seal the day and year aforesaid.

County Recorder
By BOOK 81 PAGE 484
Deputy Recorder

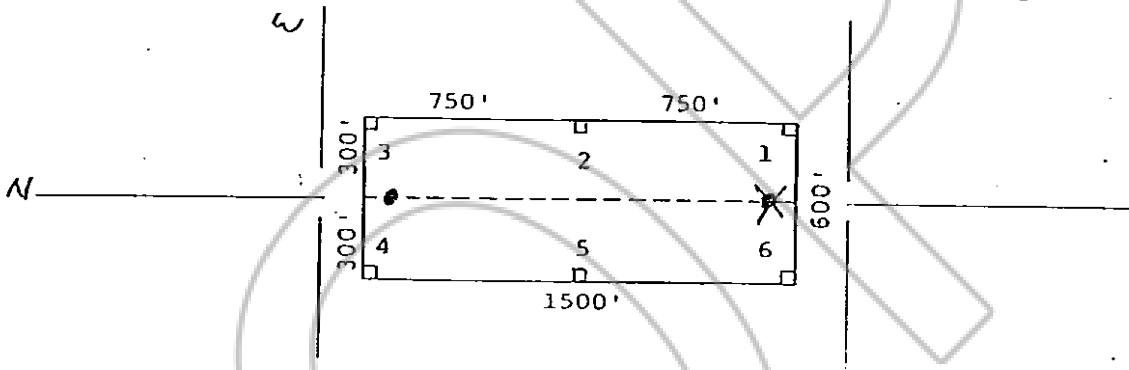
STATE OF NEVADA
 CERTIFICATE OF MINING LOCATION
 LODE CLAIM ON PUBLIC DOMAIN

73875

NOTICE IS HEREBY GIVEN that the Afgan No. 38 lode mining claim has been located by AMERICAN SELCO INC. a New York corporation, whose address is 90 West Grove Street, Suite 100, Reno, Nevada 89509. The general course of this claim is East/West. This claim is 1500 feet in length along the course of the claim, being 1990 feet from the point of discovery in a East direction to the East end line of this claim, and 70 feet in a West direction to the West end line of the claim. This claim is 600 feet in width, being 300 feet in width on each side of the center line of the claim.

This claim is located within the SE Quarter of Section 20, Township 22 North, Range 51 East, Mount Diablo Base and Meridian, unknown Mining District, Eureka County, Nevada. The location monument of this claim is situated with reference to some natural object or permanent monument as follows: Corner no. 1 of this claim is located approximately 5700 feet S 17° 0W from the located SE corner of Section 17 T22N, R51E MDM.

The corners of this claim are marked by 4"x4" posts or 4" trees with metal tags inscribed with the appropriate corner number as shown on the following sketch and the accompanying claim map.



The location work consisted of making the maps as provided in NRS 517.040.

Dated and posted on the ground this 10 day of April, ~~March~~ 1979. 1980.

Witnesses:

RECORDED AT REQUEST OF
American Selco Inc.
 BOOK 81 PAGE 486
 80 MAY 30 AM 11:00
 OFFICIAL RECORDS
 EUREKA COUNTY NEVADA
 WILLIS A. DEWASH, RECORDER
 FILE NO. 73875
 FEE \$ 3.00

Locator:

AMERICAN SELCO INC.

By [Signature]
 Agent for
 American Selco Inc.

STATE OF NEVADA)

COUNTY OF _____) ss.

I hereby certify that the within instrument was filed and recorded at the request of: _____

FILE NO. _____
 on _____
 at _____
 Docket _____ Page _____

Witness my hand and official seal the day and year aforesaid.

County Recorder

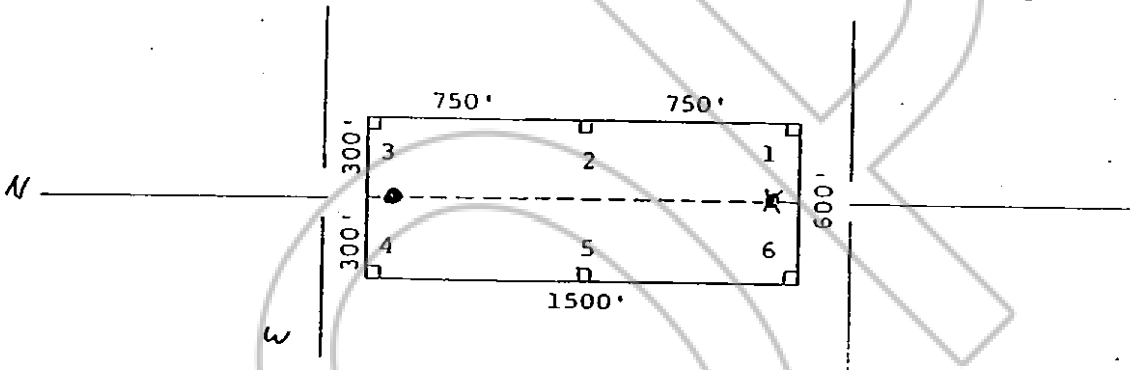
By BOOK 81 PAGE 486
 Deputy Recorder

73876

NOTICE IS HEREBY GIVEN that the Afgan No. 39 lode mining claim has been located by AMERICAN SELCO INC. a New York corporation, whose address is 90 West Grove Street, Suite 100, Reno, Nevada 89509. The general course of this claim is East/West. This claim is 1500 feet in length along the course of the claim, being 1490 feet from the point of discovery in a East direction to the East end line of this claim, and 10 feet in a West direction to the West end line of the claim. This claim is 600 feet in width, being 300 feet in width on each side of the center line of the claim.

This claim is located within the SE Quarter of Section 20, Township 22 North, Range 51 East, Mount Diablo Base and Meridian, unknown Mining District, Eureka County, Nevada. The location monument of this claim is situated with reference to some natural object or permanent monument as follows: Corner no. 1 of this claim is located approximately 7050 feet S 14°W from the located SE corner of Section 17 T22N, R51E. MDM.

The corners of this claim are marked by 4"x4" posts or 4" trees with metal tags inscribed with the appropriate corner number as shown on the following sketch and the accompanying claim map.



The location work consisted of making the maps as provided in NRS 517.040.

Dated and posted on the ground this 16 day of April ~~March~~, 1979. 1980.

Witnesses:

Locator:

RECORDED AT REQUEST OF
American Selco Inc.
BOOK 81 PAGE 487
80 MAY 80 AM 11:00
OFFICIAL PUBLIC RECORDS
EUREKA COUNTY, NEVADA
WILLIS A. DEPAUL - RECORDER
FILE NO. 73876
FEE \$ 3.00

AMERICAN SELCO INC.

By [Signature]
Agent for
American Selco Inc.

STATE OF NEVADA)
) ss.
COUNTY OF _____)

I hereby certify that the within instrument was filed and recorded at the request of: _____

Witness my hand and official seal the day and year aforesaid.

FILE NO. _____
on _____
at _____
Docket _____ Page _____

County Recorder

By BOOK 81 PAGE 487
Deputy Recorder