

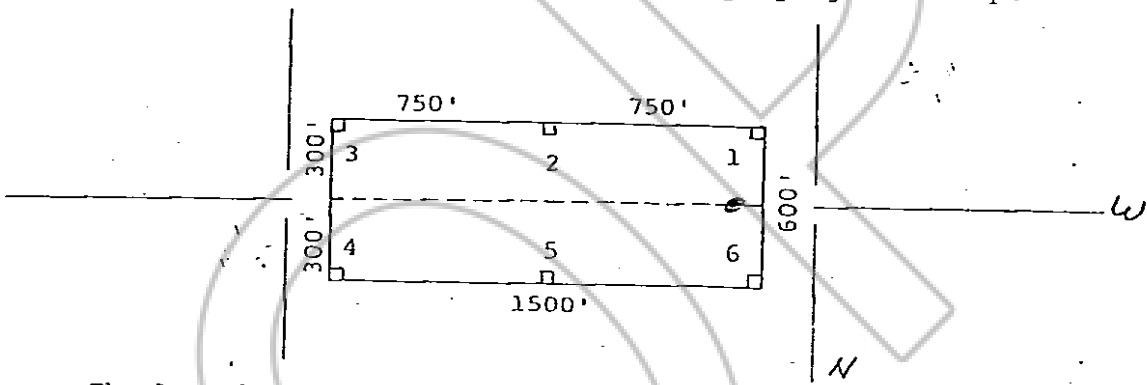
STATE OF NEVADA
 CERTIFICATE OF MINING LOCATION
 LODE CLAIM ON PUBLIC DOMAIN

73847

NOTICE IS HEREBY GIVEN that the Afgan No. 10 lode mining claim has been located by AMERICAN SELCO INC., a New York corporation, whose address is 90 West Grove Street, Suite 100, Reno, Nevada 89509. The general course of this claim is East/West. This claim is 1500 feet in length along the course of the claim, being 1490 feet from the point of discovery in a East direction to the East end line of this claim, and 10 feet in a West direction to the West end line of the claim. This claim is 600 feet in width, being 300 feet in width on each side of the center line of the claim.

This claim is located within the NW Quarter of Section 20, Township 22 North, Range 51 East, Mount Diablo Base and Meridian, unknown Mining District, Eureka County, Nevada. The location monument of this claim is situated with reference to some natural object or permanent monument as follows: Corner no. 1 of this claim is located approximately 4850 feet S 65° W from the located SE corner of Section 17 T22N, R51E.
 MDM.

The corners of this claim are marked by 4"x4" posts or 4" trees with metal tags inscribed with the appropriate corner number as shown on the following sketch and the accompanying claim map.



The location work consisted of making the maps as provided in NRS 517.040.

Dated and posted on the ground this 20 day of March, ~~1979~~ 1980.

Witnesses:

Locator:

AMERICAN SELCO INC.
 MAY 30 AID: 11
 OFFICE OF THE COUNTY CLERK
 EUREKA COUNTY, NEVADA
 WILLIS A. O'BRIEN, CLERK
 FILE NO. 73847
 FEE \$ 34.00

AMERICAN SELCO INC.
 By [Signature]
 Agent for
 American Selco Inc.

I hereby certify that the within instrument was filed and recorded at the request of: _____
 FILE NO. _____
 on _____
 at _____
 Docket _____ Page _____

Witness my hand and official seal the day and year aforesaid.

 County Recorder
 By BOOK 81 PAGE 458
 Deputy Recorder