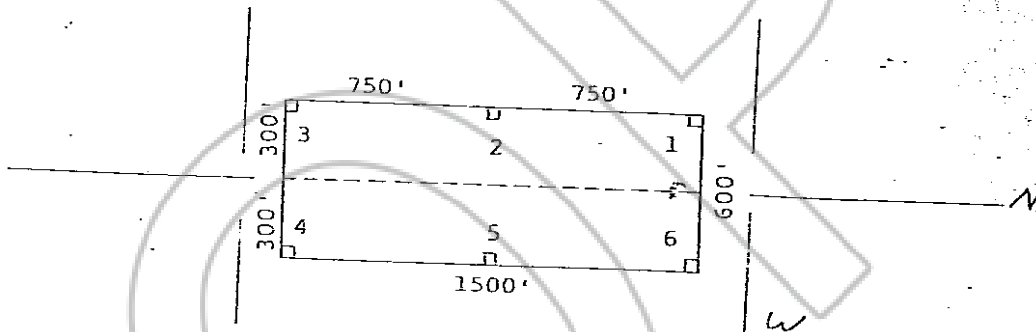


STATE OF NEVADA
 CERTIFICATE OF MINING LOCATION
 LODE CLAIM ON PUBLIC DOMAIN
 75529

NOTICE IS HEREBY GIVEN that the Twin No. 1 lode mining claim has been located by AMERICAN SELCO INC. a New York corporation, whose address is 99 West Grove Street, Suite 100, Reno, Nevada 89509. The general course of this claim is North/South. This claim is 1500 feet in length along the course of the claim, being 10 feet from the point of discovery in a North direction to the North end line of this claim, and 1490 feet in a South direction to the South end line of the claim. This claim is 600 feet in width, being 300 feet in width on each side of the center line of the claim.

This claim is located within the SW Quarter of Section 36, Township 19 North, Range 49 East, Mount Diablo Base and Meridian, unknown Mining District, Eureka County, Nevada. The location monument of this claim is situated with reference to some natural object or permanent monument as follows: Corner no. 1 of this claim is located approximately 1600 feet N 22° E from the located SW corner section 36 T19N R49E MDM

The corners of this claim are marked by 4"x4" posts or 4" trees with metal tags inscribed with the appropriate corner number as shown on the following sketch and the accompanying claim map.



The location work consisted of making the maps as provided in NRS 517.040.

Dated and posted on the ground this 28 day of May, 19 80

Witnesses:

Locator:

AMERICAN SELCO INC.

By [Signature]
 Agent for
 American Selco Inc.

STATE OF NEVADA)
) ss.
 COUNTY OF _____)

I hereby certify that the within instrument was filed and recorded at the request of: _____
 FILE NO. _____
 on _____
 at _____
 Docket _____ Page _____

REPAIR DAT REQUEST OF
 American Selco Inc.
 BOOK 85 PAGE 187
 80 AUG 22 11:23
 OFFICE OF
 COUNTY RECORDS
 WILLIS A. SPALL RECORDER
 FILE NO. 75529
 FEE \$3.00

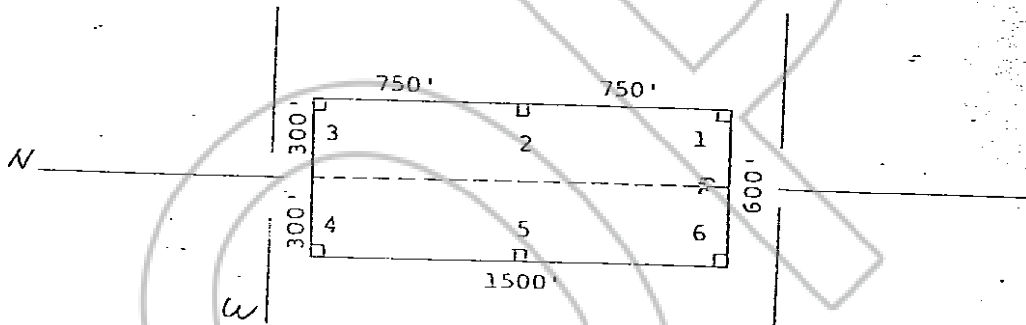
STATE OF NEVADA
 CERTIFICATE OF MINING LOCATION
 LODE CLAIM ON PUBLIC DOMAIN

75530

NOTICE IS HEREBY GIVEN that the Twin No. 2 lode mining claim has been located by AMERICAN SELCO INC. a New York corporation, whose address is 99 West Grove Street, Suite 100, Reno, Nevada 89509. The general course of this claim is North/South. This claim is 1500 feet in length along the course of the claim, being 1490 feet from the point of discovery in a North direction to the North end line of this claim, and 10 feet in a South direction to the South end line of the claim. This claim is 600 feet in width, being 300 feet in width on each side of the center line of the claim.

This claim is located within the SW Quarter of Section 36, Township 19 North, Range 49 East, Mount Diablo Base and Meridian, unknown Mining District, Eureka County, Nevada. The location monument of this claim is situated with reference to some natural object or permanent monument as follows: Corner no. 1 of this claim is located approximately 1600 feet N 22° E from the located SW corner section 36 T19N R49E MDM

The corners of this claim are marked by 4"x4" posts or 4" trees with metal tags inscribed with the appropriate corner number as shown on the following sketch and the accompanying claim-map.



The location work consisted of making the maps as provided in NRS 517.040.

Dated and posted on the ground this 28 day of May, 1980

Witnesses:

Locator:

AMERICAN SELCO INC.

By [Signature]
 Agent for
 American Selco Inc.

STATE OF NEVADA)
) ss.
 COUNTY OF _____)

I hereby certify that the within instrument was filed and recorded at the request of: _____
 FILE NO. _____
 on _____
 at _____
 Docket _____ Page _____

OFFICIAL RECORDERS
 EUREKA COUNTY, NEVADA
 WILLIAM A. DEPAOLI-RECORDER
 File # 19 75530
 FEE \$ 3.00

80 AUG 22 11:23

RECORDED AT REQUEST OF
 FINE TIEBURN SELCO INC.
 BOOK 85 PAGE 188

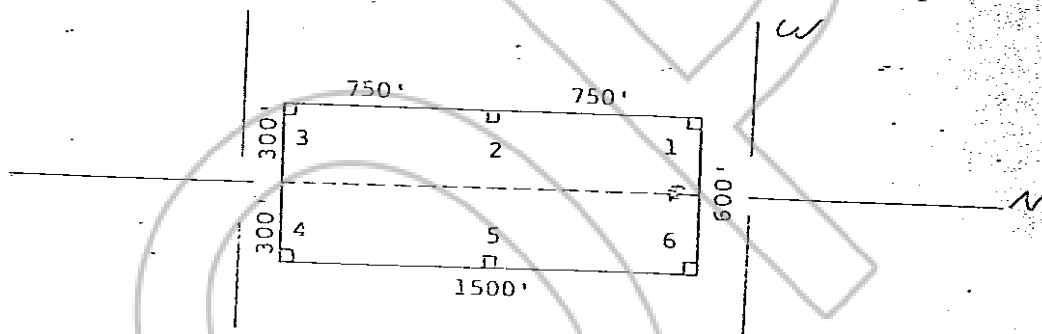
STATE OF NEVADA
 CERTIFICATE OF MINING LOCATION
 LODE CLAIM ON PUBLIC DOMAIN

75531

NOTICE IS HEREBY GIVEN that the Twin No. 3 lode mining claim has been located by AMERICAN SELCO INC. a New York corporation, whose address is 99 West Grove Street, Suite 100, Reno, Nevada 89509. The general course of this claim is North/South. This claim is 1500 feet in length along the course of the claim, being 10 feet from the point of discovery in a North direction to the North end line of this claim, and 1490 feet in a South direction to the South end line of the claim. This claim is 600 feet in width, being 300 feet in width on each side of the center line of the claim.

This claim is located within the SW Quarter of Section 36, Township 19 North, Range 49 East, Mount Diablo Base and Meridian, unknown Mining District, Eureka County, Nevada. The location monument of this claim is situated with reference to some natural object or permanent monument as follows: Corner no. 1 of this claim is located approximately 1600 feet N 22° E from the located SW corner section 36 T19N R49E MDM

The corners of this claim are marked by 4"x4" posts or 4" trees with metal tags inscribed with the appropriate corner number as shown on the following sketch and the accompanying claim map.



The location work consisted of making the maps as provided in NRS 517.040.

Dated and posted on the ground this 28 day of May, 19 80

Witnesses:

Locator:

_____ AMERICAN SELCO INC.

By [Signature]
 Agent for
 American Selco Inc.

STATE OF NEVADA)
) ss.
 COUNTY OF _____)

I hereby certify that the within instrument was filed and recorded at the request of: _____
 FILE NO. _____
 on _____
 at _____
 Docket _____ Page _____

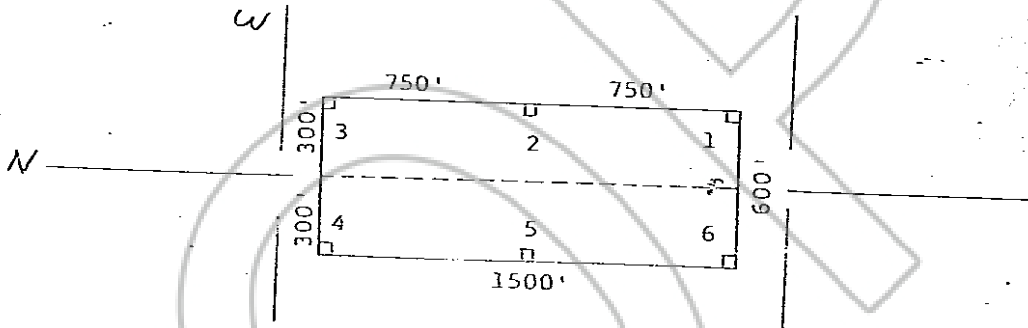
80 AUG 22 11:24
 RECORD AT REQUEST OF
 American Selco Inc.
 BOOK 85 PAGE 189
 CLERK OF RECORDS
 WILLIS A. DEWALL, CLERK
 FILE NO. 75531
 Fee \$ 3.00

STATE OF NEVADA
CERTIFICATE OF MINING LOCATION
LODE CLAIM OR PUBLIC DOMAIN

NOTICE IS HEREBY GIVEN that the Twin No. 4 lode mining claim has been located by AMERICAN SELCO INC. a New York corporation, whose address is 99 West Grove Street, Suite 100, Reno, Nevada 89509. The general course of this claim is North/South. This claim is 1500 feet in length along the course of the claim, being 1490 feet from the point of discovery in a North direction to the North end line of this claim, and 10 feet in a South direction to the South end line of the claim. This claim is 600 feet in width, being 300 feet in width on each side of the center line of the claim.

This claim is located within the SW Quarter of Section 36, Township 19 North, Range 49 East, Mount Diablo Base and Meridian, unknown Mining District, Eureka County, Nevada. The location monument of this claim is situated with reference to some natural object or permanent monument as follows: Corner no. 1 of this claim is located approximately 1600 feet N 22° E from the located SW corner section 36 T19N R49E MDM

The corners of this claim are marked by 4"x4" posts or 4" trees with metal tags inscribed with the appropriate corner number as shown on the following sketch and the accompanying claim map.



The location work consisted of making the maps as provided in NRS 517.040.

Dated and posted on the ground this 28 day of May, 19 80

Witnesses:

Locator:

AMERICAN SELCO INC.

By [Signature]
Agent for
American Selco Inc.

STATE OF NEVADA)
) ss.
COUNTY OF _____)

I hereby certify that the within instrument was filed and recorded at the request of: _____
FILE NO. _____
on _____
at _____
Docket _____ Page _____

OFFICIAL RECORDS
EUREKA COUNTY, NEVADA
WILLIS A. DEPPOLD, RECORDER
FILE NO. 75532
FILE # 300

80 AUG 22 A 11:24

RECORDED AT REQUEST OF
American Selco Inc.
BOOK 85 PAGE 190

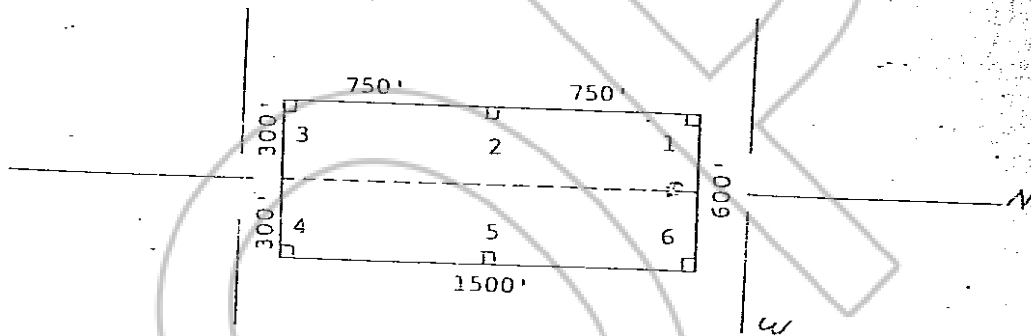
75533

STATE OF NEVADA
CERTIFICATE OF MINING LOCATION
LODE CLAIM ON PUBLIC DOMAIN

NOTICE IS HEREBY GIVEN that the Twin No. 5 lode mining claim has been located by AMERICAN SELCO INC. a New York corporation, whose address is 99 West Grove Street, Suite 100, Reno, Nevada 89509. The general course of this claim is North/South. This claim is 1500 feet in length along the course of the claim, being 10 feet from the point of discovery in a North direction to the North end line of this claim, and 1490 feet in a South direction to the South end line of the claim. This claim is 600 feet in width, being 300 feet in width on each side of the center line of the claim.

This claim is located within the SW Quarter of Section 36, Township 19 North, Range 49 East, Mount Diablo Base and Meridian, unknown Mining District, Eureka County, Nevada. The location monument of this claim is situated with reference to some natural object or permanent monument as follows: Corner no. 1 of this claim is located approximately 2400 feet N 50° E from the located SW corner section 36 T19N R49E MDM

The corners of this claim are marked by 4"x4" posts or 4" trees with metal tags inscribed with the appropriate corner number as shown on the following sketch and the accompanying claim-map.



The location work consisted of making the maps as provided in NRS 517.040.

Dated and posted on the ground this 28 day of May, 19 80

Witnesses:

Locator:

AMERICAN SELCO INC.

By [Signature]
Agent for
American Selco Inc.

STATE OF NEVADA)
) ss.
COUNTY OF _____)

I hereby certify that the within instrument was filed and recorded at the request of: _____ FILE NO. _____ on _____ at _____ Docket _____ Page _____

L. _____
Deputy Recorder

BOOK 85 PAGE 191

OFFICIAL RECORDS
EUREKA COUNTY, NEVADA
FILED IN 75533
FEE \$ 3.00
80 AUG 22 11:25
RECORDED AT REQUEST OF
American Selco Inc.
BOOK 85 PAGE 191

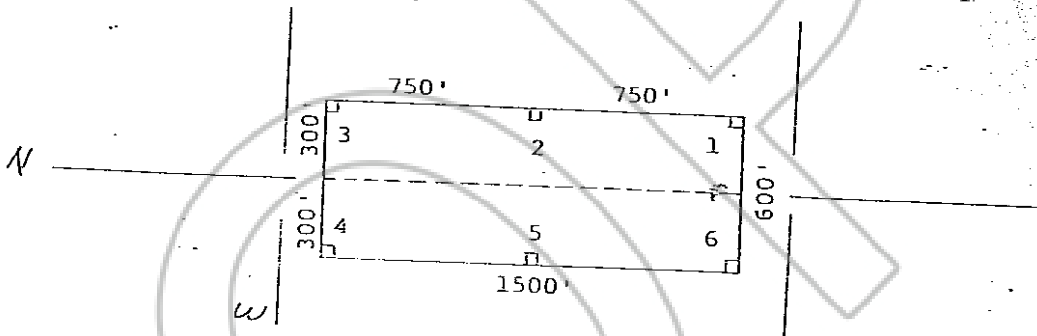
75534

STATE OF NEVADA
CERTIFICATE OF MINING LOCATION
LODE CLAIM ON PUBLIC DOMAIN

NOTICE IS HEREBY GIVEN that the Twin No. 6 lode mining claim has been located by AMERICAN SELCO INC. a New York corporation, whose address is 99 West Grove Street, Suite 100, Reno, Nevada 89509. The general course of this claim is North/South. This claim is 1500 feet in length along the course of the claim, being 1490 feet from the point of discovery in a North direction to the North end line of this claim, and 10 feet in a South direction to the South end line of the claim. This claim is 600 feet in width, being 300 feet in width on each side of the center line of the claim.

This claim is located within the SW Quarter of Section 36, Township 19 North, Range 49 East, Mount Diablo Base and Meridian, unknown Mining District, Eureka County, Nevada. The location monument of this claim is situated with reference to some natural object or permanent monument as follows: Corner no. 1 of this claim is located approximately 2400 feet N 50° E from the located SW corner section B6 T19N R49E MDM

The corners of this claim are marked by 4"x4" posts or 4" trees with metal tags inscribed with the appropriate corner number as shown on the following sketch and the accompanying claim-map.



The location work consisted of making the maps as provided in NRS 517.040.

Dated and posted on the ground this 23 day of May, 19 80

Witnesses:

Locator:

AMERICAN SELCO INC.

By [Signature]
Agent for
American Selco Inc.

STATE OF NEVADA)
COUNTY OF _____) ss.

I hereby certify that the within instrument was filed and recorded at the request of: _____
FILE NO. _____
on _____
at _____
Docket _____ Page _____

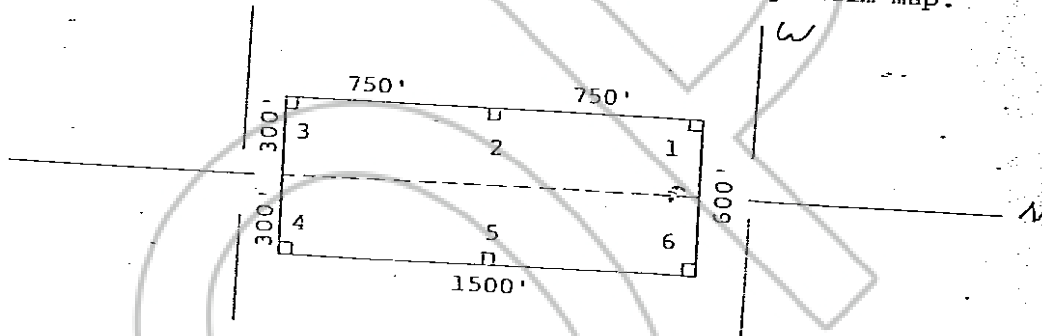
RECORDED AT REQUEST OF
American Selco Inc.
BOOK 85 PAGE 192
80 AUG 22 AM 11:25
OFFICIAL RECORDS
EUREKA COUNTY, NEVADA
WILLIS A. DREW
FILED IN 75534
FEE \$ 3.00

STATE OF NEVADA
CERTIFICATE OF MINING LOCATION
LODE CLAIM ON PUBLIC DOMAIN

NOTICE IS HEREBY GIVEN that the Twin No. 7
lode mining claim has been located by AMERICAN SELCO INC.
a New York corporation, whose address is 99 West Grove Street,
Suite 100, Reno, Nevada 89509. The general course of this claim
is North/South. This claim is 1500 feet in length
along the course of the claim, being 10 feet from the point
of discovery in a North direction to the North end
line of this claim, and 1490 feet in a South
direction to the South end line of the claim. This claim is
600 feet in width, being 300 feet in width on each side of the
center line of the claim.

This claim is located within the SW Quarter
of Section 36, Township 19 North, Range 49
East, Mount Diablo Base and Meridian, unknown Mining District
Eureka County, Nevada. The location monument of this claim is
situated with reference to some natural object or permanent monument
as follows: Corner no. 1 of this claim is located approximately 2400
feet N SO E from the located SW corner section 36 T19N R49E MDM.

The corners of this claim are marked by 4"x4" posts or 4" trees
with metal tags inscribed with the appropriate corner number as
shown on the following sketch and the accompanying claim map.



The location work consisted of making the maps as provided in
NRS 517.040.

Dated and posted on the ground this 23 day of May,
19 80)

Witnesses:

Locator:

AMERICAN SELCO INC.

By: [Signature]
Agent for
American Selco Inc.

STATE OF NEVADA)

COUNTY OF _____) ss.

I hereby certify that the within
instrument was filed and recorded at
the request of: _____

FILE NO. _____

on _____

at _____

Docket _____ Page _____

OFFICIAL RECORDS
EUREKA COUNTY, NEVADA
WILLIAM A. BERRY, CLERK
FILE NO. 75535
FEE \$3.00

80 AUG 22 11:25

RECORDED AT REQUEST OF
American Selco Inc.
BOOK 85 PAGE 193

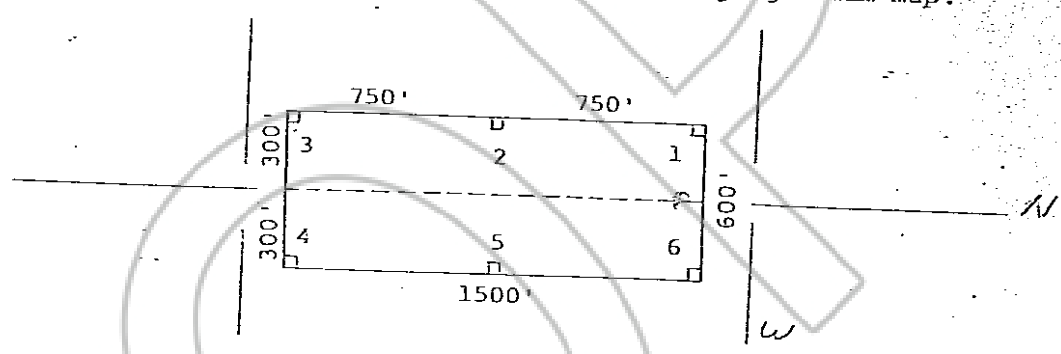
75537

STATE OF NEVADA
CERTIFICATE OF MINING LOCATION
LODE CLAIM ON PUBLIC DOMAIN

NOTICE IS HEREBY GIVEN that the Twin No. 9 lode mining claim has been located by AMERICAN SELCO INC a New York corporation, whose address is 99 West Grove Street, Suite 100, Reno, Nevada 89509. The general course of this claim is North/South. This claim is 1500 feet in length along the course of the claim, being 10 feet from the point of discovery in a North direction to the North end line of this claim, and 1490 feet in a South direction to the South end line of the claim. This claim is 600 feet in width, being 300 feet in width on each side of the center line of the claim.

This claim is located within the SE Quarter of Section 36, Township 19 North, Range 49 East, Mount Diablo Base and Meridian, unknown Mining District, Eureka County, Nevada. The location monument of this claim is situated with reference to some natural object or permanent monument as follows: Corner no. 1 of this claim is located approximately 340.0 feet N 63° E from the located SW corner section 36 T19N R49E MDM

The corners of this claim are marked by 4"x4" posts or 4" trees with metal tags inscribed with the appropriate corner number as shown on the following sketch and the accompanying claim map.



The location work consisted of making the maps as provided in NRS 517.040.

Dated and posted on the ground this 28 day of May, 19 80

Witnesses: _____
Locator: AMERICAN SELCO INC.
By [Signature]
Agent for
American Selco Inc.

STATE OF NEVADA)
COUNTY OF _____) ss.

I hereby certify that the within instrument was filed and recorded at the request of: _____
FILE NO. _____
on _____
at _____
Docket _____ Page _____

OFFICE OF RECORDS
EDITH ANN WILSON, CLERK
WILLIS A. BISHOP, RECORDER
FILE NO. 75537
FILED 8-22-80

80 AUG 22 11:25
RECORDED AT REQUEST OF
American Selco, Inc.
BOOK 85 PAGE 195

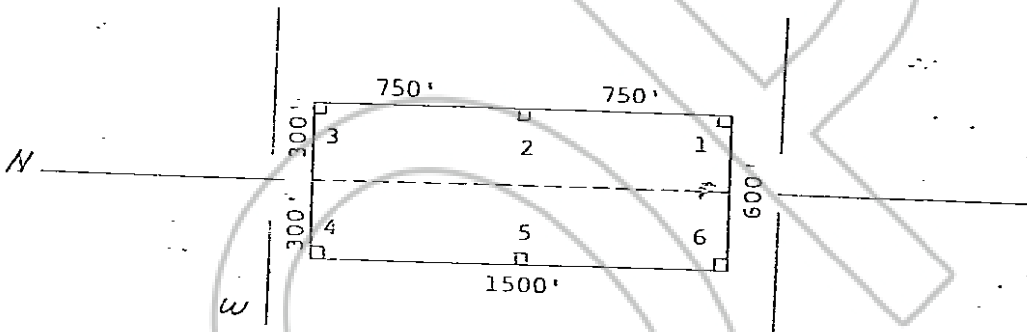
75538

STATE OF NEVADA
CERTIFICATE OF MINING LOCATION
LODE CLAIM ON PUBLIC DOMAIN

NOTICE IS HEREBY GIVEN that the Twin No. 10 lode mining claim has been located by AMERICAN SELCO INC. a New York corporation, whose address is 90 West Grove Street, Suite 100, Reno, Nevada 89509. The general course of this claim is North/South. This claim is 1500 feet in length along the course of the claim, being 1490 feet from the point of discovery in a North direction to the North end line of this claim, and 10 feet in a South direction to the South end line of the claim. This claim is 600 feet in width, being 300 feet in width on each side of the center line of the claim.

This claim is located within the S.E. Quarter of Section 36, Township 19 North, Range 49 East, Mount Diablo Base and Meridian, unknown Mining District, Eureka County, Nevada. The location monument of this claim is situated with reference to some natural object or permanent monument as follows: Corner no. 1 of this claim is located approximately 3400 feet N 63° E from the located SW corner section 36 T19N R49E MDM

The corners of this claim are marked by 4"x4" posts or 4" trees with metal tags inscribed with the appropriate corner number as shown on the following sketch and the accompanying claim map.



The location work consisted of making the maps as provided in NRS 517.040.

Dated and posted on the ground this 28 day of May, 19 80)

Witnesses:

Locator:

AMERICAN SELCO INC.

By [Signature]
Agent for
American Selco Inc.

STATE OF NEVADA)

COUNTY OF _____) ss.

I hereby certify that the within instrument was filed and recorded at the request of: _____
FILE NO. _____
on _____
at _____
Docket _____ page _____

OFFICIAL RECORDS
EUREKA COUNTY, NEVADA
FILED & RECORDED
File No. 75538
Fee \$ 3.00

80 AUG 22 11:25

RECORDED AT REQUEST OF
American Selco Inc
BOOK 85 PAGE 196

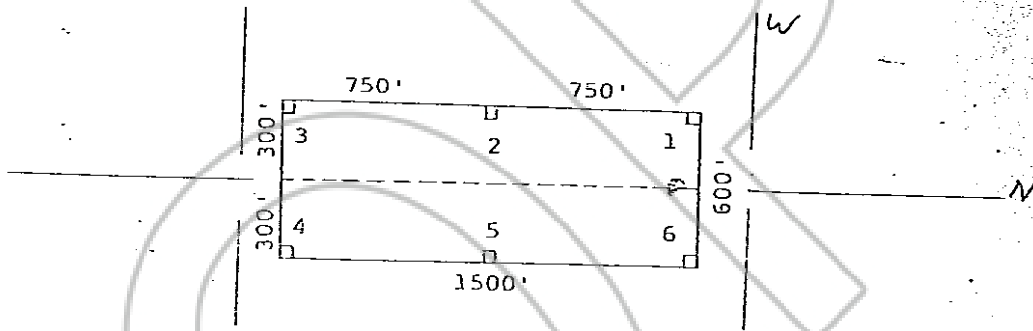
75539

STATE OF NEVADA
CERTIFICATE OF MINING LOCATION
LODE CLAIM ON PUBLIC DOMAIN

NOTICE IS HEREBY GIVEN that the Twin No. // lode mining claim has been located by AMERICAN SELCO INC. a New York corporation, whose address is 99 West Grove Street, Suite 100, Reno, Nevada 89509. The general course of this claim is North/South. This claim is 1500 feet in length along the course of the claim, being 10 feet from the point of discovery in a North direction to the North end line of this claim, and 1490 feet in a South direction to the South end line of the claim. This claim is 600 feet in width, being 300 feet in width on each side of the center line of the claim.

This claim is located within the SE Quarter of Section 36, Township 19 North, Range 49 East, Mount Diablo Base and Meridian, unknown Mining District, Eureka County, Nevada. The location monument of this claim is situated with reference to some natural object or permanent monument as follows: Corner no. 1 of this claim is located approximately 3400 feet N 63° E from the located SW corner section 36 T19N R49E MDM

The corners of this claim are marked by 4"x4" posts or 4" trees with metal tags inscribed with the appropriate corner number as shown on the following sketch and the accompanying claim map.



The location work consisted of making the maps as provided in NRS 517.040.

Dated and posted on the ground this 28 day of May, 19 80

Witnesses:

Locator:

AMERICAN SELCO INC.

By [Signature]
Agent for
American Selco Inc.

STATE OF NEVADA)
COUNTY OF _____) ss.

I hereby certify that the within instrument was filed and recorded at the request of: _____
FILE NO. _____
on _____
at _____
Docket _____ page _____

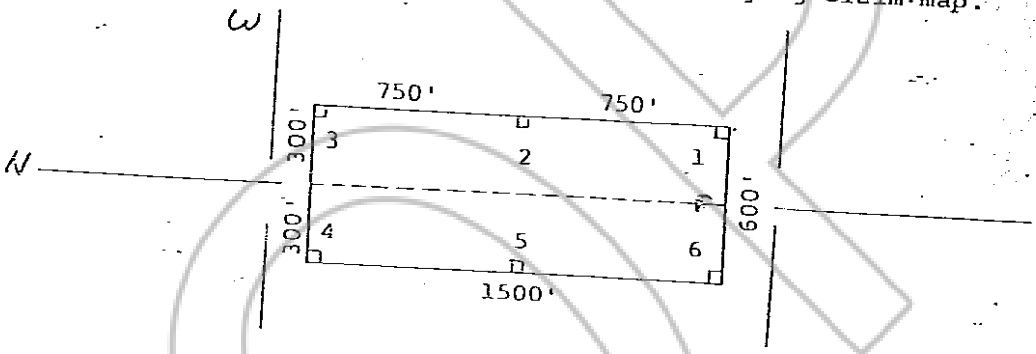
REC'D AT REQUEST OF
American Selco Inc.
BOOK 85 PAGE 197
80 AUG 22 AM 11:25
OFFICIAL RECORDS
EUREKA COUNTY NEVADA
WILHELM DEFOUL-DECONDER
FILE NO. 75539
Fee 3.00

STATE OF NEVADA
CERTIFICATE OF MINING LOCATION
LODE CLAIM ON PUBLIC DOMAIN

NOTICE IS HEREBY GIVEN that the Twin No. 12 lode mining claim has been located by AMERICAN SELCO INC. a New York corporation, whose address is 90 West Grove Street, Suite 100, Reno, Nevada 89509. The general course of this claim is North/South. This claim is 1500 feet in length along the course of the claim, being 1490 feet from the point of discovery in a North direction to the North end line of this claim, and 10 feet in a South direction to the South end line of the claim. This claim is 600 feet in width, being 300 feet in width on each side of the center line of the claim.

This claim is located within the SE Quarter of Section 36, Township 19 North, Range 49 East, Mount Diablo Base and Meridian, unknown Mining District, Eureka County, Nevada. The location monument of this claim is situated with reference to some natural object or permanent monument as follows: Corner no. 1 of this claim is located approximately 3400 feet N 63° E from the located SW corner section 36 T19N R49E MDM

The corners of this claim are marked by 4"x4" posts or 4" trees with metal tags inscribed with the appropriate corner number as shown on the following sketch and the accompanying claim map.



The location work consisted of making the maps as provided in NRS 517.040.

Dated and posted on the ground this 28 day of May, 19 80)

Witnesses:

Locator:
AMERICAN SELCO INC.

By [Signature]
Agent for
American Selco Inc.

STATE OF NEVADA)
COUNTY OF _____) ss.

I hereby certify that the within instrument was filed and recorded at the request of:
FILE NO. _____
on _____
at _____
Docket _____ Page _____

80 AUG 22 11:25
RECORDED AT REQUEST OF
American Selco Inc.
BOOK 85 PAGE 198
OF THE RECORDS
EUREKA COUNTY, NEVADA
WILLIS A. DEWEY, RECORDER
FILE NO. 75540
FEE \$ 3.00

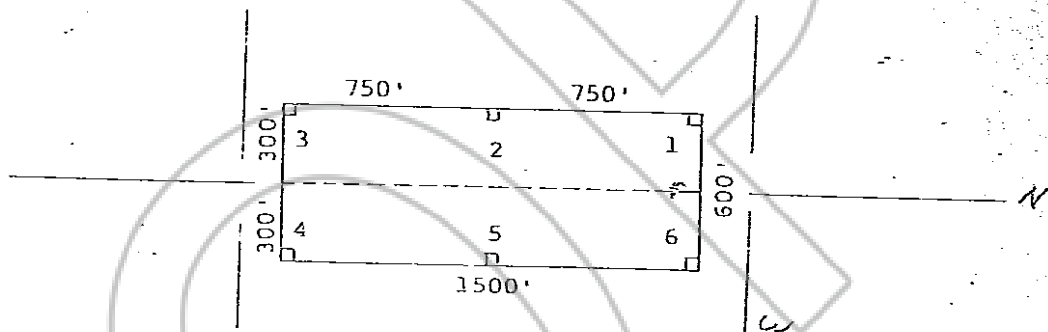
STATE OF NEVADA
 CERTIFICATE OF MINING LOCATION
 LODE CLAIM ON PUBLIC DOMAIN

75541

NOTICE IS HEREBY GIVEN that the Twin No. 13 lode mining claim has been located by AMERICAN SELCO INC. a New York corporation, whose address is 99 West Grove Street, Suite 100, Reno, Nevada 89509. The general course of this claim is North/South. This claim is 1500 feet in length along the course of the claim, being 10 feet from the point of discovery in a North direction to the North end line of this claim, and 1490 feet in a South direction to the South end line of the claim. This claim is 600 feet in width, being 300 feet in width on each side of the center line of the claim.

This claim is located within the SE Quarter of Section 36, Township 19 North, Range 49 East, Mount Diablo Base and Meridian, unknown Mining District, Eureka County, Nevada. The location monument of this claim is situated with reference to some natural object or permanent monument as follows: Corner no. 1 of this claim is located approximately 4500 feet N 70° E from the located SW corner section 36 T19N R49E MDM

The corners of this claim are marked by 4"x4" posts or 4" trees with metal tags inscribed with the appropriate corner number as shown on the following sketch and the accompanying claim-map.



The location work consisted of making the maps as provided in NRS 517.040.

Dated and posted on the ground this 28 day of May, 19 80

Witnesses:

Locator:

AMERICAN SELCO INC.

By [Signature]
 Agent for
 American Selco Inc.

STATE OF NEVADA)
) ss.
 COUNTY OF _____)

I hereby certify that the within instrument was filed and recorded at the request of: _____
 FILE NO. _____
 on _____
 at _____
 Docket _____ Page _____

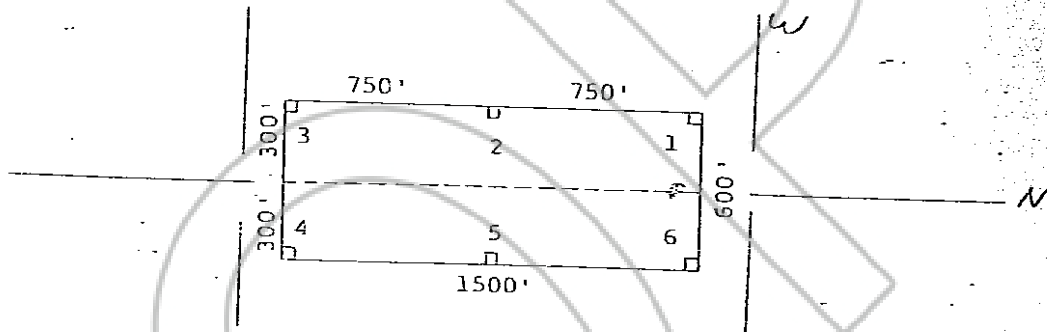
RECORDED AT REQUEST OF
 American Selco, Inc.
 BOOK 85 PAGE 199
 80 AUG 22 11:25
 OFFICE OF COUNTY RECORDS
 EUREKA COUNTY NEVADA
 FILED BY: [Signature]
 FILE NO. 75541
 FEE \$ 3.00

STATE OF NEVADA
 CERTIFICATE OF MINING LOCATION
 LODE CLAIM ON PUBLIC DOMAIN

NOTICE IS HEREBY GIVEN that the Twin No. 15 lode mining claim has been located by AMERICAN SELCO INC. a New York corporation, whose address is 99 West Grove Street, Suite 100, Reno, Nevada 89509. The general course of this claim is North/South. This claim is 1500 feet in length along the course of the claim, being 10 feet from the point of discovery in a North direction to the North end line of this claim, and 1490 feet in a South direction to the South end line of the claim. This claim is 600 feet in width, being 300 feet in width on each side of the center line of the claim.

This claim is located within the SE Quarter of Section 36, Township 19 North, Range 49 East, Mount Diablo Base and Meridian, unknown Mining District, Eureka County, Nevada. The location monument of this claim is situated with reference to some natural object or permanent monument as follows: Corner no. 1 of this claim is located approximately 4500 feet N 70° E from the located SW corner section 36 T19N R49E MDM

The corners of this claim are marked by 4"x4" posts or 4" trees with metal tags inscribed with the appropriate corner number as shown on the following sketch and the accompanying claim map.



The location work consisted of making the maps as provided in NRS 517.040.

Dated and posted on the ground this 25 day of May, 19 80

Witnesses:

Locator:

AMERICAN SELCO INC.

By [Signature]
 Agent for
 American Selco Inc.

STATE OF NEVADA)
) ss.
 COUNTY OF _____)

I hereby certify that the within instrument was filed and recorded at the request of: _____
 FILE NO. _____
 on _____
 at _____
 Docket _____ Page _____

RECORDED AT REQUEST OF
American Selco Inc.
 BOOK 85 PAGE 201
 80 AUG 22 AM 11:25
 OFFICIAL RECORDS
 EUREKA COUNTY, NEVADA
 WILLIS A. DEPAUL RECORDER
 FILE NO. 75543
 Fee \$ 3.00

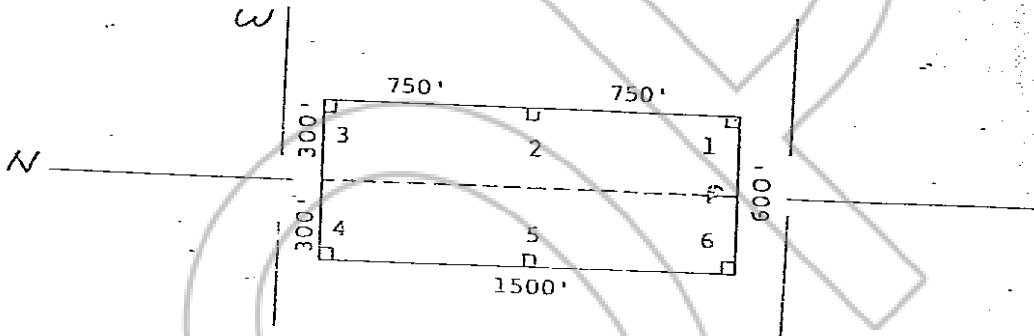
75544

STATE OF NEVADA
CERTIFICATE OF MINING LOCATION
LODE CLAIM OR PUBLIC DOMAIN

NOTICE IS HEREBY GIVEN that the Twin No. 16 lode mining claim has been located by AMERICAN SELCO INC. a New York corporation, whose address is 99 West Grove Street, Suite 100, Reno, Nevada 89509. The general course of this claim is North/South. This claim is 1500 feet in length along the course of the claim, being 1490 feet from the point of discovery in a North direction to the North end line of this claim, and 10 feet in a South direction to the South end line of the claim. This claim is 600 feet in width, being 300 feet in width on each side of the center line of the claim.

This claim is located within the SE Quarter of Section 36, Township 19 North, Range 49 East, Mount Diablo Base and Meridian, unknown Mining District, Eureka County, Nevada. The location monument of this claim is situated with reference to some natural object or permanent monument as follows: Corner no. 1 of this claim is located approximately 9500 feet N 70° E from the located SW corner section 36 T19N R49E MDM

The corners of this claim are marked by 4"x4" posts or 4" trees with metal tags inscribed with the appropriate corner number as shown on the following sketch and the accompanying claim map.



The location work consisted of making the maps as provided in NRS 517.040.

Dated and posted on the ground this 28 day of May, 19 80

Witnesses:

Locator:

AMERICAN SELCO INC.

By [Signature]
Agent for
American Selco Inc.

STATE OF NEVADA)

COUNTY OF _____) ss.

I hereby certify that the within instrument was filed and recorded at the request of:

FILE NO. _____

on _____

at _____

Docket _____ Page _____

OF RECORDS
FILED IN THE COUNTY OF NEVADA
FILE NO. 75544
PAGE 300

80 AUG 22 11:26

RECORDED AT REQUEST OF
American Selco Inc.
BOOK 85 PAGE 302

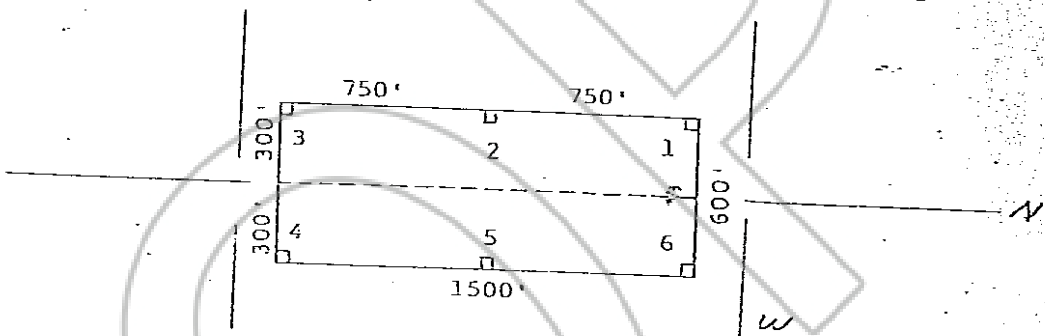
75545

STATE OF NEVADA
CERTIFICATE OF MINING LOCATION
LODE CLAIM ON PUBLIC DOMAIN

NOTICE IS HEREBY GIVEN that the Twin No. 17 lode mining claim has been located by AMERICAN SELCO INC. a New York corporation, whose address is 99 West Grove Street, Suite 100, Reno, Nevada 89509. The general course of this claim is North/South. This claim is 1500 feet in length along the course of the claim, being 10 feet from the point of discovery in a North direction to the North end line of this claim, and 1490 feet in a South direction to the South end line of the claim. This claim is 600 feet in width, being 300 feet in width on each side of the center line of the claim.

This claim is located within the SE Quarter of Section 36, Township 19 North, Range 49 East, Mount Diablo Base and Meridian, unknown Mining District, Eureka County, Nevada. The location monument of this claim is situated with reference to some natural object or permanent monument as follows: Corner no. 1 of this claim is located approximately 5000 feet N 75° E from the located SW corner section 36 T19N R49E MDM

The corners of this claim are marked by 4"x4" posts or 4" trees with metal tags inscribed with the appropriate corner number as shown on the following sketch and the accompanying claim map.



The location work consisted of making the maps as provided in NRS 517.040.

Dated and posted on the ground this 28 day of May, 19 80

Witnesses:

Locator:

AMERICAN SELCO INC.

By [Signature]
Agent for
American Selco Inc.

STATE OF NEVADA)
) ss.
COUNTY OF _____)

I hereby certify that the within instrument was filed and recorded at the request of: _____
FILE NO. _____
on _____
at _____
Docket _____ Page _____

80 AUG 22 11:25
RECORDED AT REQUEST OF
American Selco Inc.
DOB: 85 PAGE 203
OFFICE OF THE CLERK
EUREKA COUNTY, NEVADA
WILLIS A. DEWITT, RECORDER
File No. 75545
Fee: \$ 3.00

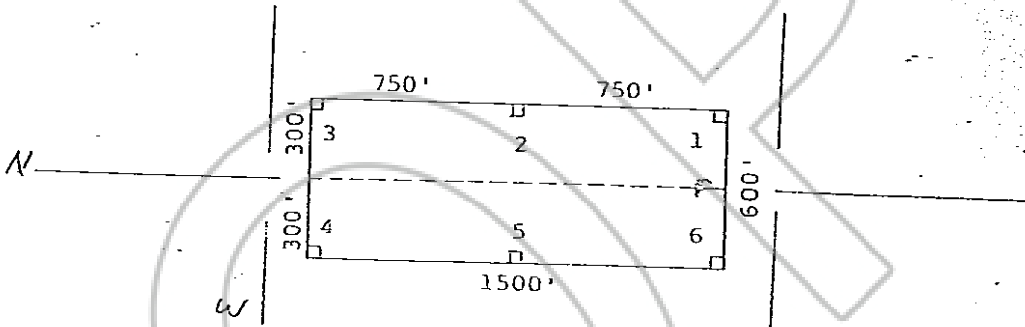
75546

STATE OF NEVADA
CERTIFICATE OF MINING LOCATION
LODE CLAIM ON PUBLIC DOMAIN

NOTICE IS HEREBY GIVEN that the Twin No. 18 lode mining claim has been located by AMERICAN SELCO INC. a New York corporation, whose address is 90 West Grove Street, Suite 100, Reno, Nevada 89509. The general course of this claim is North/South. This claim is 1500 feet in length along the course of the claim, being 1490 feet from the point of discovery in a North direction to the North end line of this claim, and 10 feet in a South direction to the South end line of the claim. This claim is 600 feet in width, being 300 feet in width on each side of the center line of the claim.

This claim is located within the SE Quarter of Section 36, Township 19 North, Range 49 East, Mount Diablo Base and Meridian, unknown Mining District Eureka County, Nevada. The location monument of this claim is situated with reference to some natural object or permanent monument as follows: Corner no. 1 of this claim is located approximately 500 feet N 75° E from the located SW corner section 36 T19N R49E MDM

The corners of this claim are marked by 4"x4" posts or 4" trees with metal tags inscribed with the appropriate corner number as shown on the following sketch and the accompanying claim map.



The location work consisted of making the maps as provided in NRS 517.040.

Dated and posted on the ground this 28 day of May, 19 80

Witnesses:

Locator:

AMERICAN SELCO INC.

By [Signature]
Agent for
American Selco Inc.

STATE OF NEVADA)
) ss.
COUNTY OF _____)

I hereby certify that the within instrument was filed and recorded at the request of: _____
FILE NO. _____
on _____
at _____
Docket _____ Page _____

OFFICIAL RECORDS
EUREKA COUNTY, NEVADA
WILLIS A. DEWITT, CLERK
FILE NO. 75546
FEE \$300

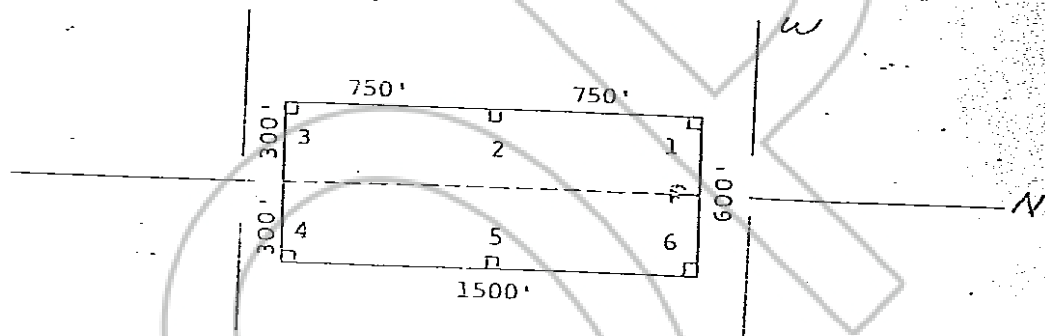
RECORDED AT REQUEST OF
American Selco Inc.
BOOK 85 PAGE 304
80 AUG 22 4:11:26

STATE OF NEVADA
 CERTIFICATE OF MINING LOCATION
 75547 LODE CLAIM ON PUBLIC DOMAIN

NOTICE IS HEREBY GIVEN that the Twin No. 19 lode mining claim has been located by AMERICAN SELCO INC. a New York corporation, whose address is 99 West Grove Street, Suite 100, Reno, Nevada 89509. The general course of this claim is North/South. This claim is 1500 feet in length along the course of the claim, being 10 feet from the point of discovery in a North direction to the North end line of this claim, and 1490 feet in a South direction to the South end line of the claim. This claim is 600 feet in width, being 300 feet in width on each side of the center line of the claim.

This claim is located within the SW Quarter of Section 31, Township 19 North, Range 50 East, Mount Diablo Base and Meridian, unknown Mining District, Eureka County, Nevada. The location monument of this claim is situated with reference to some natural object or permanent monument as follows: Corner no. 1 of this claim is located approximately 5000 feet N 75° E from the located SW corner section 36 T19N R49E MDM

The corners of this claim are marked by 4"x4" posts or 4" trees with metal tags inscribed with the appropriate corner number as shown on the following sketch and the accompanying claim map.



The location work consisted of making the maps as provided in NRS 517.040.

Dated and posted on the ground this 28 day of May, 19 80)

Witnesses: _____ Locator: _____
 _____ AMERICAN SELCO INC.
 By [Signature]
 Agent for
 American Selco Inc.

STATE OF NEVADA)
) ss.
 COUNTY OF _____)

I hereby certify that the within instrument was filed and recorded at the request of: _____
 FILE NO. _____
 on _____
 at _____
 Docket _____ page _____

RECORDED AT REQUEST OF
 American Selco Inc.
 BOOK 85 PAGE 206
 80 AUG 22 11:28
 DEPT. OF RECORDS
 EUREKA COUNTY, NEVADA
 WILLIS R. GIBSON, RECORDER
 FILE NO. 75547
 Fee \$3.00

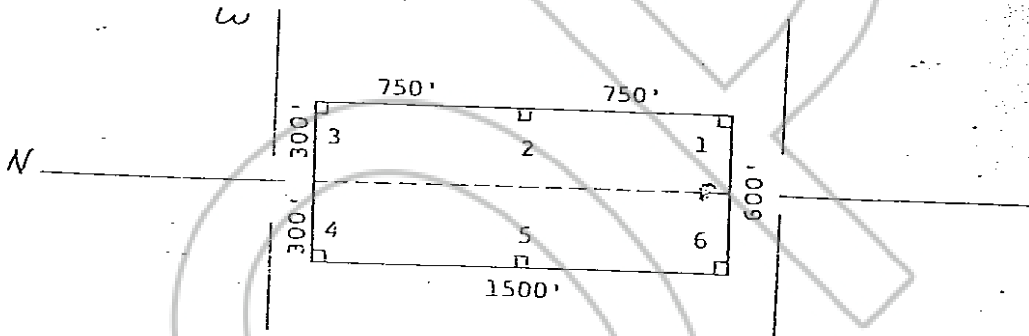
STATE OF NEVADA
 CERTIFICATE OF MINING LOCATION
 LOBE CLAIM OR PUBLIC DOMAIN

75548

NOTICE IS HEREBY GIVEN that the Twin No. 20 lode mining claim has been located by AMERICAN SELCO INC. a New York Corporation, whose address is 90 West Grove Street, Suite 100, Reno, Nevada 89509. The general course of this claim is North/South. This claim is 1500 feet in length along the course of the claim, being 1492 feet from the point of discovery in a North direction to the North end line of this claim, and 10 feet in a South direction to the South end line of the claim. This claim is 600 feet in width, being 300 feet in width on each side of the center line of the claim.

This claim is located within the SW Quarter of Section 31, Township 19 North, Range 50 East, Mount Diablo Base and Meridian, unknown Mining District, Eureka County, Nevada. The location monument of this claim is situated with reference to some natural object or permanent monument as follows: Corner no. 1 of this claim is located approximately 500 feet N 75° E from the located SW corner section 36 T19N R49E MDM

The corners of this claim are marked by 4"x4" posts or 4" trees with metal tags inscribed with the appropriate corner number as shown on the following sketch and the accompanying claim-map.



The location work consisted of making the maps as provided in NRS 517.040.

Dated and posted on the ground this 28 day of May, 19 80

Witnesses:

Locator:

AMERICAN SELCO INC.

By [Signature]
 Agent for
 American Selco Inc.

STATE OF NEVADA)
) ss.
 COUNTY OF _____)

I hereby certify that the within instrument was filed and recorded at the request of: _____
 FILE NO. _____
 on _____
 at _____
 Docket _____ Page _____

RECORDED AT REQUEST OF
 American Selco Inc.
 BOOK 85 PAGE 207
 80 AUG 22 AM 1:26
 OFFICIAL RECORDS
 EUREKA COUNTY NEVADA
 WILLIS A. DEWITT, RECORDER
 Fee \$6.75
 Pages 3.00

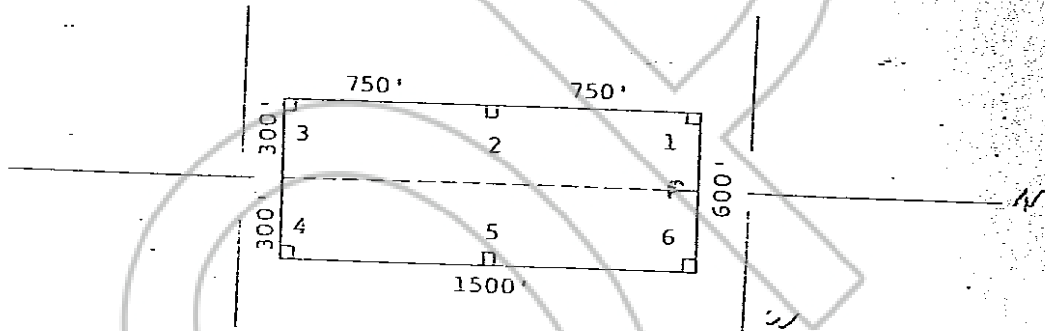
75549

STATE OF NEVADA
CERTIFICATE OF MINING LOCATION
LODE CLAIM ON PUBLIC DOMAIN

NOTICE IS HEREBY GIVEN that the Twin No. 21 lode mining claim has been located by AMERICAN SELCO INC. a New York corporation, whose address is 99 West Grove Street, Suite 100, Reno, Nevada 89509. The general course of this claim is North/South. This claim is 1500 feet in length along the course of the claim, being 10 feet from the point of discovery in a North direction to the North end line of this claim, and 1490 feet in a South direction to the South end line of the claim. This claim is 600 feet in width, being 300 feet in width on each side of the center line of the claim.

This claim is located within the SW Quarter of Section 31, Township 19 North, Range 50 East, Mount Diablo Base and Meridian, unknown Mining District, Eureka County, Nevada. The location monument of this claim is situated with reference to some natural object or permanent monument as follows: Corner no. 1 of this claim is located approximately 6500 feet N 77° E from the located SW corner section 36 T19N R49E MDM

The corners of this claim are marked by 4"x4" posts or 4" trees with metal tags inscribed with the appropriate corner number as shown on the following sketch and the accompanying claim map.



The location work consisted of making the maps as provided in NRS 517.040.

Dated and posted on the ground this 23 day of May, 19 80

Witnesses:

Locator:

AMERICAN SELCO INC.

By [Signature]
Agent for
American Selco Inc.

STATE OF NEVADA)
COUNTY OF _____) ss.

I hereby certify that the within instrument was filed and recorded at the request of: _____
FILE NO. _____
on _____
at _____
Docket _____ Page _____

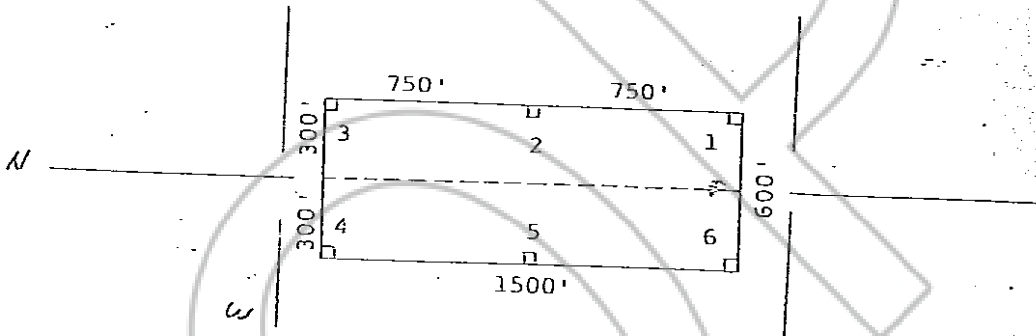
RECORDED AT REQUEST OF
American Selco Inc.
BOOK 85 PAGE 208
80 AUG 22 11:26
OFFICE OF THE CLERK
WILLIAMS COUNTY, NEVADA
FILED
75549
Fee \$ 3.00

STATE OF NEVADA
CERTIFICATE OF MINING LOCATION
LODE CLAIM ON PUBLIC DOMAIN

NOTICE IS HEREBY GIVEN that the Twin No. 22 lode mining claim has been located by AMERICAN SELCO INC. a New York corporation, whose address is 99 West Grove Street, Suite 100, Reno, Nevada 89509. The general course of this claim is North/South. This claim is 1500 feet in length along the course of the claim, being 1490 feet from the point of discovery in a North direction to the North end line of this claim, and 10 feet in a South direction to the South end line of the claim. This claim is 600 feet in width, being 300 feet in width on each side of the center line of the claim.

This claim is located within the SW Quarter of Section 31, Township 19 North, Range 50 East, Mount Diablo Base and Meridian, unknown Mining District, Eureka County, Nevada. The location monument of this claim is situated with reference to some natural object or permanent monument as follows: Corner no. 1 of this claim is located approximately 680 1/2 feet N 77° E from the located SW corner section 36 T19N R49E MDM

The corners of this claim are marked by 4"x4" posts or 4" trees with metal tags inscribed with the appropriate corner number as shown on the following sketch and the accompanying claim map.



The location work consisted of making the maps as provided in NRS 517.040.

Dated and posted on the ground this 28 day of May, 19 80)

Witnesses:

Locator:

AMERICAN SELCO INC.

By [Signature]
Agent for
American Selco Inc.

STATE OF NEVADA)
) ss.
COUNTY OF _____)

I hereby certify that the within instrument was filed and recorded at the request of: _____
FILE NO. _____
on _____
at _____
Docket _____ page _____

80 AUG 22 11:26
RECORDED AT REQUEST OF
American Selco Inc.
BOOK 85 PAGE 209
OFFICE OF CLERK OF RECORDS
EUREKA COUNTY NEVADA
WILLIS A. DEVLIN, CLERK
FILE NO. 75550
FEE \$ 3.00

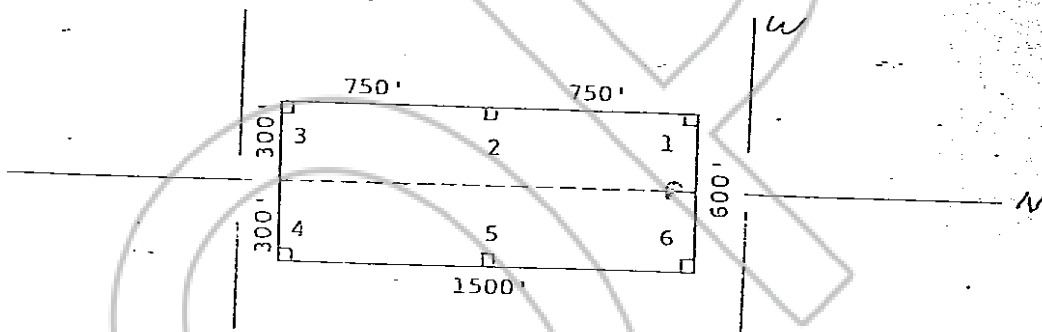
STATE OF NEVADA
 CERTIFICATE OF MINING LOCATION
 LODE CLAIM ON PUBLIC DOMAIN

75551

NOTICE IS HEREBY GIVEN that the Twin No. 23 lode mining claim has been located by AMERICAN SELCO INC a New York corporation, whose address is 90 West Grove Street, Suite 100, Reno, Nevada 89509. The general course of this claim is North/South. This claim is 1500 feet in length along the course of the claim, being 10 feet from the point of discovery in a North direction to the North end line of this claim, and 1290 feet in a South direction to the South end line of the claim. This claim is 600 feet in width, being 300 feet in width on each side of the center line of the claim.

This claim is located within the SW Quarter of Section 31, Township 19 North, Range 50 East, Mount Diablo Base and Meridian, unknown Mining District, Eureka County, Nevada. The location monument of this claim is situated with reference to some natural object or permanent monument as follows: Corner no. 1 of this claim is located approximately 6800 feet N 77° E from the located SW corner section 36 T19N R49E MDM

The corners of this claim are marked by 4"x4" posts or 4" trees with metal tags inscribed with the appropriate corner number as shown on the following sketch and the accompanying claim-map.



The location work consisted of making the maps as provided in NRS 517.040.

Dated and posted on the ground this 23 day of May, 19 80

Witnesses:

Locator:

AMERICAN SELCO INC.

By [Signature]
 Agent for
 American Selco Inc.

STATE OF NEVADA)
) ss.
 COUNTY OF _____)

I hereby certify that the within instrument was filed and recorded at the request of: _____
 FILE NO. _____
 on _____
 at _____
 Docket _____ Page _____

RECORDED AT REQUEST OF
 American Selco Inc.
 BOOK 85 PAGE 210
 80 AUG 22 11:26
 OFFICIAL RECORDS
 EUREKA COUNTY, NEVADA
 WILLIS A. DAVIS, CLERK
 FILE NO. 75551
 PAGE 300

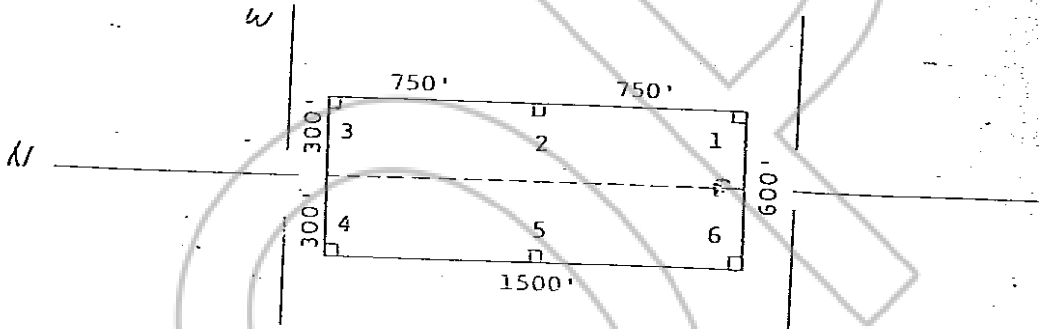
75552

STATE OF NEVADA
CERTIFICATE OF MINING LOCATION
LODE CLAIM ON PUBLIC DOMAIN

NOTICE IS HEREBY GIVEN that the Twin No. 24 lode mining claim has been located by AMERICAN SELCO INC. a New York corporation, whose address is 99 West Grove Street, Suite 100, Reno, Nevada 89509. The general course of this claim is North/South. This claim is 1500 feet in length along the course of the claim, being 1490 feet from the point of discovery in a North direction to the North end line of this claim, and 10 feet in a South direction to the South end line of the claim. This claim is 600 feet in width, being 300 feet in width on each side of the center line of the claim.

This claim is located within the SW Quarter of Section 31, Township 19 North, Range 30 East, Mount Diablo Base and Meridian, unknown Mining District, Eureka County, Nevada. The location monument of this claim is situated with reference to some natural object or permanent monument as follows: Corner no. 1 of this claim is located approximately 6800 feet N 77° E from the located SW corner section 36 T19N R40E MDM

The corners of this claim are marked by 4"x4" posts or 4" trees with metal tags inscribed with the appropriate corner number as shown on the following sketch and the accompanying claim-map.



The location work consisted of making the maps as provided in NRS 517.040.

Dated and posted on the ground this 25 day of May, 19 80

Witnesses:

Locator:

AMERICAN SELCO INC.

By [Signature]
Agent for
American Selco Inc.

STATE OF NEVADA)

COUNTY OF _____) ss.

I hereby certify that the within instrument was filed and recorded at the request of: _____
FILE NO. _____
on _____
at _____
Docket _____ page _____

OFFICIAL RECORDS
EMERY COUNTY NEVADA
WILLIS A. DEWALT, RECORDER
Rt. No. 75552
Fee \$ 3.00

80 AUG 22 AM 11:28

RECORDED AT REQUEST OF
American Selco Inc.
BOOK 85 PAGE 211

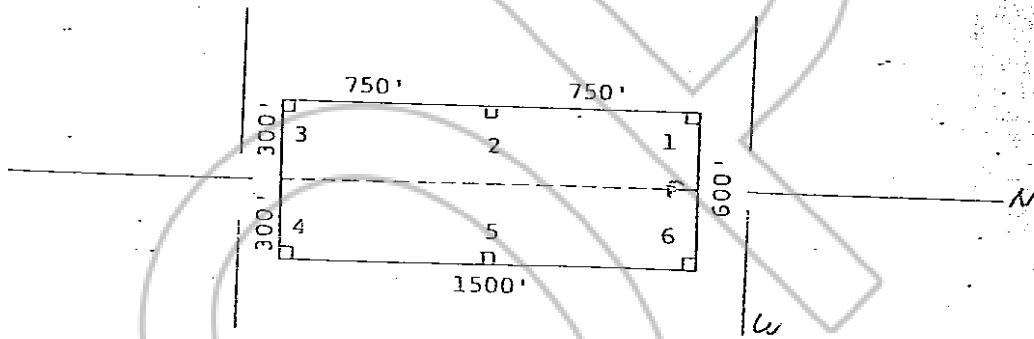
75553

STATE OF NEVADA
CERTIFICATE OF MINING LOCATION
LODE CLAIM ON PUBLIC DOMAIN

NOTICE IS HEREBY GIVEN that the Twin No. 25 lode mining claim has been located by AMERICAN SELCO INC. a New York corporation, whose address is 99 West Grove Street, Suite 100, Reno, Nevada 89509. The general course of this claim is North/South. This claim is 1500 feet in length along the course of the claim, being 10 feet from the point of discovery in a North direction to the North end line of this claim, and 1490 feet in a South direction to the South end line of the claim. This claim is 600 feet in width, being 300 feet in width on each side of the center line of the claim.

This claim is located within the SW Quarter of Section 36, Township 19 North, Range 50 East, Mount Diablo Base and Meridian, unknown Mining District, Eureka County, Nevada. The location monument of this claim is situated with reference to some natural object or permanent monument as follows: Corner no. 1 of this claim is located approximately 8000 feet N 79° E from the located SW corner section 36 T19N R49E MDM

The corners of this claim are marked by 4"x4" posts or 4" trees with metal tags inscribed with the appropriate corner number as shown on the following sketch and the accompanying claim map.



The location work consisted of making the maps as provided in NRS 517.040.

Dated and posted on the ground this 28 day of May, 19 80

Witnesses:

Locator:

AMERICAN SELCO INC.

By [Signature]
Agent for
American Selco Inc.

STATE OF NEVADA)

COUNTY OF _____) ss.

I hereby certify that the within instrument was filed and recorded at the request of: _____ FILE NO. _____ on _____ at _____ Docket _____ Page _____

RECORDED AT REQUEST OF
American Selco Inc.
BOOK 85 PAGE 212
80 AUG 22 11:26
DIGITAL RECORDS
CLERK COUNTY OF NEVADA
WILLIS A. DEFRAY, CLERK
FILE NO. 75553
Fees 3.00

BOOK 85 PAGE 212

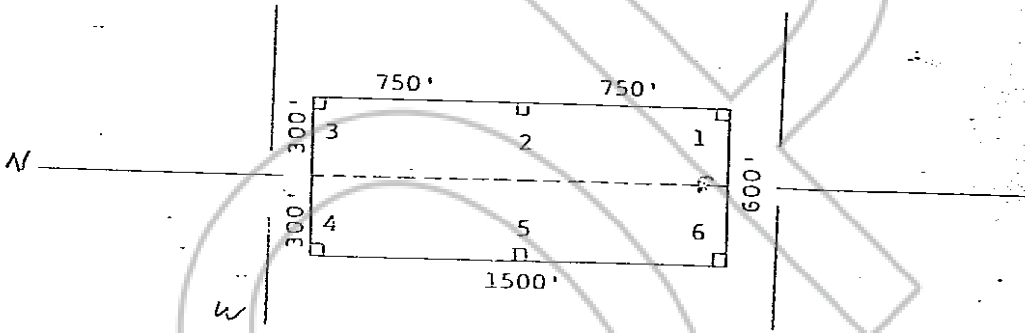
STATE OF NEVADA
 CERTIFICATE OF MINING LOCATION
 LORE CLAIM ON PUBLIC DOMAIN

75554

NOTICE IS HEREBY GIVEN that the Twin No. 26 lode mining claim has been located by AMERICAN SELCO INC. a New York corporation, whose address is 99 West Grove Street, Suite 100, Reno, Nevada 89509. The general course of this claim is North/South. This claim is 1500 feet in length along the course of the claim, being 1490 feet from the point of discovery in a North direction to the North end line of this claim, and 10 feet in a South direction to the South end line of the claim. This claim is 600 feet in width, being 300 feet in width on each side of the center line of the claim.

This claim is located within the Sw Quarter of Section 31, Township 19 North, Range 50 East, Mount Diablo Base and Meridian, unknown Mining District, Eureka County, Nevada. The location monument of this claim is situated with reference to some natural object or permanent monument as follows: Corner no. 1 of this claim is located approximately 600 feet N 79° E from the located SW corner section 36 T19N R49E MDM

The corners of this claim are marked by 4"x4" posts or 4" trees with metal tags inscribed with the appropriate corner number as shown on the following sketch and the accompanying claim map.



The location work consisted of making the maps as provided in NRS 517.040.

Dated and posted on the ground this 25 day of May, 19 80

Witnesses:

Locator:

AMERICAN SELCO INC.

By [Signature]
 Agent for
 American Selco Inc.

STATE OF NEVADA)

COUNTY OF _____) ss.

I hereby certify that the within instrument was filed and recorded at the request of: _____
 FILE NO. _____
 on _____
 at _____
 Docket _____ Page _____

RECORDED AT REQUEST OF
 American Selco Inc.
 BOOK 85 PAGE 213
 80 AUG 22 11:28
 OFFICE OF RECORDS
 EUREKA COUNTY, NEVADA
 WILLIS A. HENNINGER
 RECORDER
 FILE NO. 75554
 Fee \$ 3.00

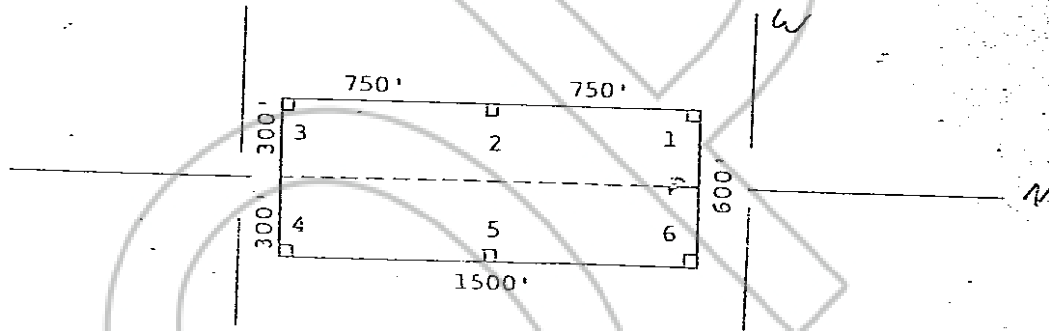
75555

STATE OF NEVADA
CERTIFICATE OF MINING LOCATION
LODE CLAIM ON PUBLIC DOMAIN

NOTICE IS HEREBY GIVEN that the Twin No. 27 lode mining claim has been located by AMERICAN SELCO INC. a New York corporation, whose address is 90 West Grove Street, Suite 100, Reno, Nevada 89509. The general course of this claim is North/South. This claim is 1500 feet in length along the course of the claim, being 10 feet from the point of discovery in a North direction to the North end line of this claim, and 1490 feet in a South end direction to the South end line of the claim. This claim is 600 feet in width, being 300 feet in width on each side of the center line of the claim.

This claim is located within the S/E Quarter of Section 31, Township 19 North, Range 50 East, Mount Diablo Base and Meridian, unknown Mining District, Eureka County, Nevada. The location monument of this claim is situated with reference to some natural object or permanent monument as follows: Corner no. 1 of this claim is located approximately 600.0 feet N 79° E from the located SW corner section 36 T19N R49E MDM

The corners of this claim are marked by 4"x4" posts or 4" trees with metal tags inscribed with the appropriate corner number as shown on the following sketch and the accompanying claim-map.



The location work consisted of making the maps as provided in NRS 517.040.

Dated and posted on the ground this 28 day of May, 19 80

Witnesses:

Locator:

AMERICAN SELCO INC.

By [Signature]
Agent for
American Selco Inc.

STATE OF NEVADA)
) ss.
COUNTY OF _____)

I hereby certify that the within instrument was filed and recorded at the request of: _____
FILE NO. _____
on _____
at _____
Docket _____ Page _____

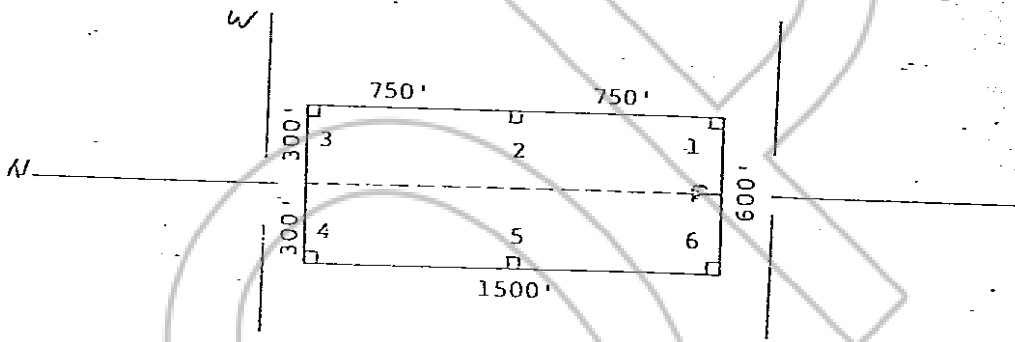
RECORDED AT REQUEST OF
American Selco Inc.
BOOK 85 PAGE 214
80 AUG 22 11:28
FICIAL RECORDS
EUREKA COUNTY NEVADA
WILLIS A. DEWITT, CLERK
FEE \$3.00

STATE OF NEVADA
 CERTIFICATE OF MINING LOCATION
 LODE CLAIM ON PUBLIC DOMAIN

NOTICE IS HEREBY GIVEN that the Twin No. 28
 lode mining claim has been located by AMERICAN SELCO INC.
 a New York corporation, whose address is 99 West Grove Street,
Suite 100, Reno, Nevada 89509. The general course of this claim
 is North/South. This claim is 1500 feet in length
 along the course of the claim, being 1790 feet from the point
 of discovery in a North direction to the North end
 line of this claim, and 10 feet in a South
 direction to the South end line of the claim. This claim is
600 feet in width, being 300 feet in width on each side of the
 center line of the claim.

This claim is located within the SE Quarter
 of Section 31, Township 19 North, Range 30
 East, Mount Diablo Base and Meridian, unknown Mining District,
 Eureka County, Nevada. The location monument of this claim is
 situated with reference to some natural object or permanent monument
 as follows: Corner no. 1 of this claim is located approximately 600
feet N 79° E from the located SW corner section 36 T19N R49E MDM

The corners of this claim are marked by 4"x4" posts or 4" trees
 with metal tags inscribed with the appropriate corner number as
 shown on the following sketch and the accompanying claim map.



The location work consisted of making the maps as provided in
 NRS 517.040.

Dated and posted on the ground this 28 day of May
 19 80)

Witnesses:

Locator:

AMERICAN SELCO INC.

By [Signature]
 Agent for
 American Selco Inc.

STATE OF NEVADA)

COUNTY OF _____) ss.

I hereby certify that the within
 instrument was filed and recorded at
 the request of: _____
 FILE NO. _____
 on _____
 at _____
 Docket _____ Page _____

NET. AL RECORDS
 COUNTY CLERK
 WILLIAMS HERALD BUREAU
 FILE NO. 75556
 Fee \$ 3.00

90 AUG 22 A 11: 26

RECORDED AT REQUEST OF
American Selco, Inc.
 BOOK 85 PAGE 215

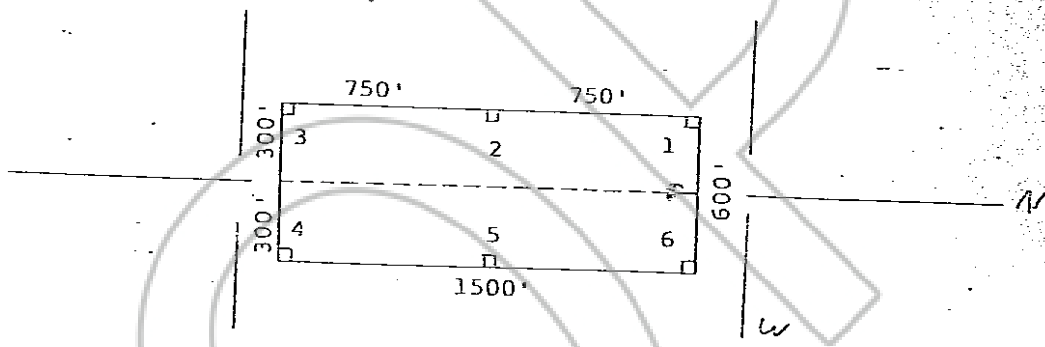
75557

STATE OF NEVADA
CERTIFICATE OF MINING LOCATION
LODE CLAIM ON PUBLIC DOMAIN

NOTICE IS HEREBY GIVEN that the Twin No. 29 lode mining claim has been located by AMERICAN SELCO INC. a New York corporation, whose address is 90 West Grove Street, Suite 100, Reno, Nevada 89509. The general course of this claim is North/South. This claim is 1500 feet in length along the course of the claim, being 10 feet from the point of discovery in a North direction to the North end line of this claim, and 1290 feet in a South direction to the South end line of the claim. This claim is 600 feet in width, being 300 feet in width on each side of the center line of the claim.

This claim is located within the MW Quarter of Section 36, Township 19 North, Range 49 East, Mount Diablo Base and Meridian, unknown Mining District, Eureka County, Nevada. The location monument of this claim is situated with reference to some natural object or permanent monument as follows: Corner no. 1 of this claim is located approximately 2600 feet N 7° E from the located SW corner section 36 T19N R49E MDM

The corners of this claim are marked by 4"x4" posts or 4" trees with metal tags inscribed with the appropriate corner number as shown on the following sketch and the accompanying claim map.



The location work consisted of making the maps as provided in NRS 517.040.

Dated and posted on the ground this 28 day of May, 19 80)

Witnesses: _____ Locator: AMERICAN SELCO INC.
By [Signature]
Agent for American Selco Inc.

STATE OF NEVADA)
COUNTY OF _____) ss.

I hereby certify that the within instrument was filed and recorded at the request of: _____
FILE NO. _____
on _____
at _____
Docket _____ Page _____

RECORDED AT REQUEST OF
American Selco Inc.
BOOK 85 PAGE 216
80 AUG 22 11:25
OFFICIAL RECORDS
EUREKA COUNTY NEVADA
WILLIS A. DEPAUL - RECORDER
FILE NO. 75557
FEE \$ 3.00

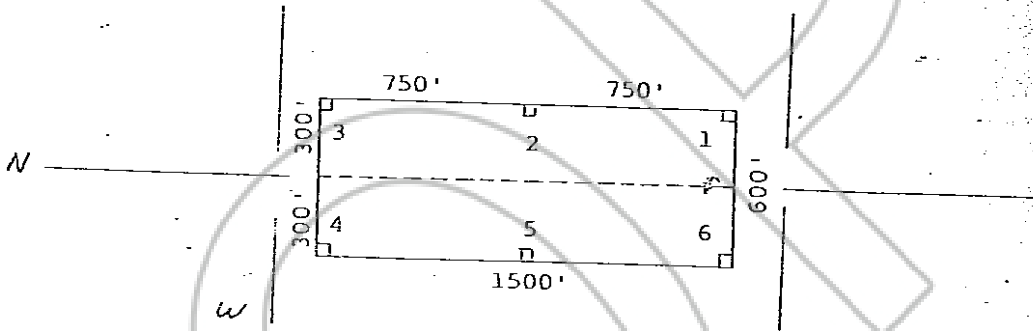
75558

STATE OF NEVADA
CERTIFICATE OF MINING LOCATION
LODE CLAIM ON PUBLIC DOMAIN

NOTICE IS HEREBY GIVEN that the Twin No. 30 lode mining claim has been located by AMERICAN SELCO INC. a New York corporation, whose address is 90 West Grove Street, Suite 100, Reno, Nevada 89509. The general course of this claim is North/South. This claim is 1500 feet in length along the course of the claim, being 1490 feet from the point of discovery in a North direction to the North end line of this claim, and 10 feet in a South direction to the South end line of the claim. This claim is 600 feet in width, being 300 feet in width on each side of the center line of the claim.

This claim is located within the NW Quarter of Section 36, Township 19 North, Range 49 East, Mount Diablo Base and Meridian, unknown Mining District, Eureka County, Nevada. The location monument of this claim is situated with reference to some natural object or permanent monument as follows: Corner no. 1 of this claim is located approximately 4600 feet N 7° E from the located SW corner section 36 T19N R49E MDM

The corners of this claim are marked by 4"x4" posts or 4" trees with metal tags inscribed with the appropriate corner number as shown on the following sketch and the accompanying claim-map.



The location work consisted of making the maps as provided in NRS 517.040.

Dated and posted on the ground this 28 day of May, 19 80)

Witnesses:

Locator:

AMERICAN SELCO INC.

By

[Signature]
Agent for
American Selco Inc.

STATE OF NEVADA)

COUNTY OF _____) ss.

I hereby certify that the within instrument was filed and recorded at the request of: _____

FILE NO. _____

on _____

at _____

Docket _____

Page _____

RECORDED AT REQUEST OF
American Selco Inc.
BOOK 85 PAGE 217
80 AUG 22 11:28
OFFICIAL RECORDS
EUREKA COUNTY, NEVADA
WILLIS A. DEPTY, CLERK
FILED 8558
Fees \$3.00

BOOK 85 PAGE 217

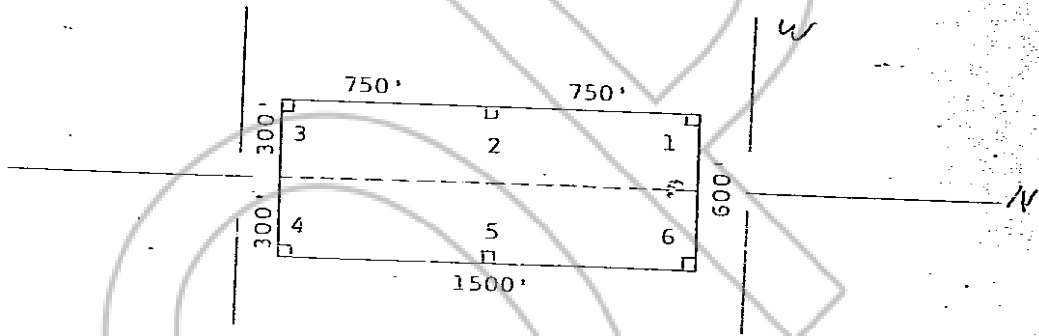
75559

STATE OF NEVADA
CERTIFICATE OF MINING LOCATION
LODE CLAIM ON PUBLIC DOMAIN

NOTICE IS HEREBY GIVEN that the Twin No. 31 lode mining claim has been located by AMERICAN SELCO INC. a New York corporation, whose address is 99 West Grove Street, Suite 100, Reno, Nevada 89509. The general course of this claim is North/South. This claim is 1500 feet in length along the course of the claim, being 10 feet from the point of discovery in a North direction to the North end line of this claim, and 1490 feet in a South direction to the South end line of the claim. This claim is 600 feet in width, being 300 feet in width on each side of the center line of the claim.

This claim is located within the 1000 Quarter of Section 36, Township 19 North, Range 49 East, Mount Diablo Base and Meridian, unknown Mining District, Eureka County, Nevada. The location monument of this claim is situated with reference to some natural object or permanent monument as follows: Corner no. 1 of this claim is located approximately 700 feet N 7° E from the located SW corner section 36 T19N R49E MDM

The corners of this claim are marked by 4"x4" posts or 4" trees with metal tags inscribed with the appropriate corner number as shown on the following sketch and the accompanying claim map.



The location work consisted of making the maps as provided in NRS 517.040.

Dated and posted on the ground this 28 day of May, 19 80

Witnesses:

Locator:

AMERICAN SELCO INC.

By [Signature]
Agent for
American Selco Inc.

STATE OF NEVADA)
COUNTY OF _____) ss.

I hereby certify that the within instrument was filed and recorded at the request of: _____

FILE NO. _____
on _____
at _____
Docket _____ page _____

RECORDED AT REQUEST OF
American Selco Inc.
BOOK 85 PAGE 218
80 AUG 22 11:27
OFFICIAL RECORDS
EUREKA COUNTY, NEVADA
FILE NO. 75559
FEE \$ 3.00

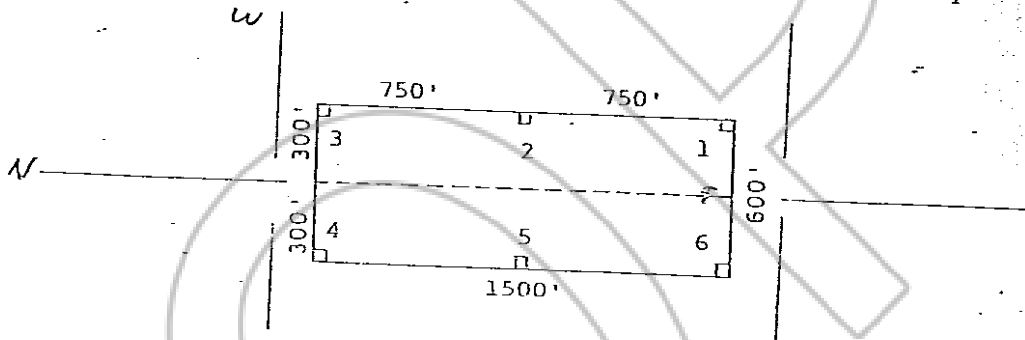
STATE OF NEVADA
 CERTIFICATE OF MINING LOCATION
 LODE CLAIM ON PUBLIC DOMAIN

75560

NOTICE IS HEREBY GIVEN that the Twin No. 32 lode mining claim has been located by AMERICAN SELCO INC. a New York corporation, whose address is 99 West Grove Street, Suite 100, Reno, Nevada 89509. The general course of this claim is North/South. This claim is 1500 feet in length along the course of the claim, being 1490 feet from the point of discovery in a North direction to the North end line of this claim, and 10 feet in a South direction to the South end line of the claim. This claim is 600 feet in width, being 300 feet in width on each side of the center line of the claim.

This claim is located within the NW Quarter of Section 36, Township 19 North, Range 49 East, Mount Diablo Base and Meridian, unknown Mining District, Eureka County, Nevada. The location monument of this claim is situated with reference to some natural object or permanent monument as follows: Corner no. 1 of this claim is located approximately 4600 feet N 7° E from the located SW corner section 36 T19N R49E NDM.

The corners of this claim are marked by 4"x4" posts or 4" trees with metal tags inscribed with the appropriate corner number as shown on the following sketch and the accompanying claim map.



The location work consisted of making the maps as provided in NRS 517.040.

Dated and posted on the ground this 28 day of May, 19 80

Witnesses:

Locator:

AMERICAN SELCO INC.

By [Signature]
 Agent for
 American Selco Inc.

STATE OF NEVADA)
) ss.
 COUNTY OF _____)

I hereby certify that the within instrument was filed and recorded at the request of: _____
 FILE NO. _____
 on _____
 at _____
 Docket _____ Page _____

OFFICIAL RECORDS
 EUREKA COUNTY, NEVADA
 WILLIS A. DEPAULIS, CLERK
 FILE NO. 75560
 FEE \$ 3.00

80 AUG 22 AM 11:27

RECORDED AT REQUEST OF
 American Selco Inc.
 BOOK 85 PAGE 219

BOOK 85 PAGE 219

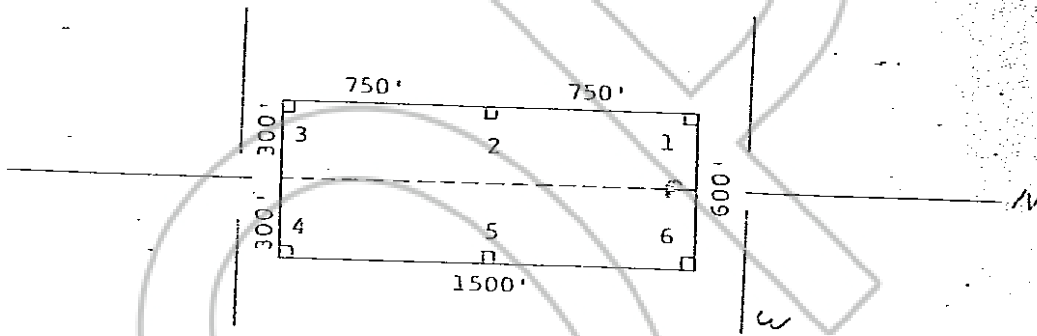
75561

STATE OF NEVADA
CERTIFICATE OF MINING LOCATION
LODE CLAIM ON PUBLIC DOMAIN

NOTICE IS HEREBY GIVEN that the Twin No. 33 lode mining claim has been located by AMERICAN SELCO INC. a New York corporation, whose address is 90 West Grove Street, Suite 100, Reno, Nevada 89509. The general course of this claim is North/South. This claim is 1500 feet in length along the course of the claim, being 10 feet from the point of discovery in a North direction to the North end line of this claim, and 1490 feet in a South direction to the South end line of the claim. This claim is 600 feet in width, being 300 feet in width on each side of the center line of the claim.

This claim is located within the NW Quarter of Section 36, Township 19 North, Range 49 East, Mount Diablo Base and Meridian, unknown Mining District, Eureka County, Nevada. The location monument of this claim is situated with reference to some natural object or permanent monument as follows: Corner no. 1 of this claim is located approximately 4900 feet N 22° E from the located SW corner section 36 T19N R49E MDM

The corners of this claim are marked by 4"x4" posts or 4" trees with metal tags inscribed with the appropriate corner number as shown on the following sketch and the accompanying claim map.



The location work consisted of making the maps as provided in NRS 517.040.

Dated and posted on the ground this 25 day of May, 19 80)

Witnesses:

Locator:

AMERICAN SELCO INC.

By [Signature]
Agent for
American Selco Inc.

STATE OF NEVADA)
) ss.
COUNTY OF _____)

I hereby certify that the within instrument was filed and recorded at the request of: _____
FILE NO. _____
on _____
at _____
Docket _____ Page _____

OFFICIAL RECORDS
EUREKA COUNTY, NEVADA
MILTON A. DEWOLF, RECORDER
FILE NO. 75561
FEE \$ 3.00

80 AUG 22 11:27

RECORDED AT REQUEST OF
American Selco Inc.
BOOK 85 PAGE 220

BOOK 85 PAGE 220

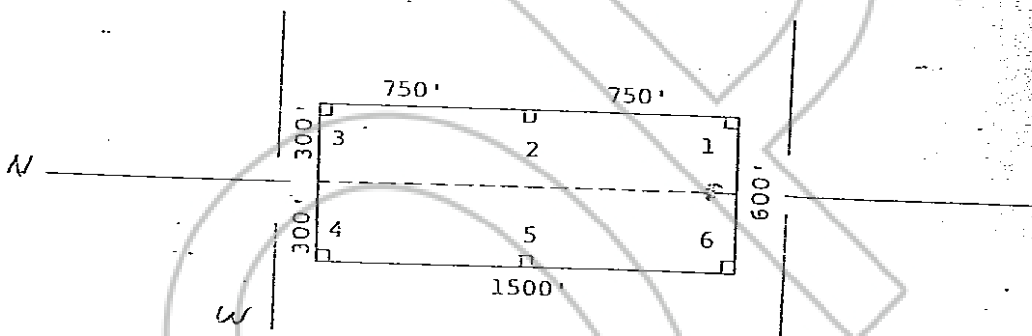
75562

STATE OF NEVADA
CERTIFICATE OF MINING LOCATION
LODE CLAIM ON PUBLIC DOMAIN

NOTICE IS HEREBY GIVEN that the Twin No. 34 lode mining claim has been located by AMERICAN SELCO INC a New York corporation, whose address is 99 West Grove Street, Suite 100, Reno, Nevada 89509. The general course of this claim is North/South. This claim is 1500 feet in length along the course of the claim, being 1490 feet from the point of discovery in a North direction to the North end line of this claim, and 10 feet in a South direction to the South end line of the claim. This claim is 600 feet in width, being 300 feet in width on each side of the center line of the claim.

This claim is located within the NW Quarter of Section 36, Township 19 North, Range 49 East, Mount Diablo Base and Meridian, unknown Mining District, Eureka County, Nevada. The location monument of this claim is situated with reference to some natural object or permanent monument as follows: Corner no. 1 of this claim is located approximately 490 feet N 22° E from the located SW corner section 36 T19N R49E MDM

The corners of this claim are marked by 4"x4" posts or 4" trees with metal tags inscribed with the appropriate corner number as shown on the following sketch and the accompanying claim map.



The location work consisted of making the maps as provided in NRS 517.040.

Dated and posted on the ground this 28 day of May, 19 80

Witnesses:

Locator:

AMERICAN SELCO INC.

By

[Signature]
Agent for
American Selco Inc.

STATE OF NEVADA)
COUNTY OF _____) ss.

I hereby certify that the within instrument was filed and recorded at the request of: _____

FILE NO. _____
on _____
at _____
Docket _____ Page _____

OFFICIAL RECORDS
EVERETT COUNTY, NEVADA
VALLES H. JIMENEZ, RECORDER
File No. 75562
Fee \$ 3.00

80 AUG 22 11:27

RECORDED AT REQUEST OF
American Selco Inc.
Book 85 PAGE 221

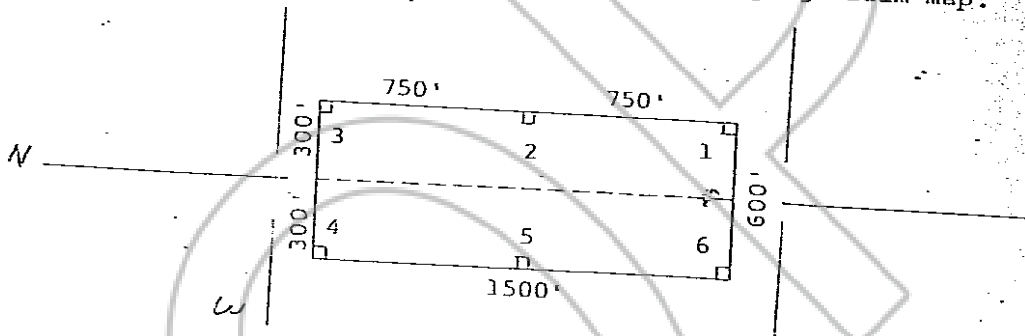
75563

STATE OF NEVADA
CERTIFICATE OF MINING LOCATION
LODE CLAIM ON PUBLIC DOMAIN

NOTICE IS HEREBY GIVEN that the Twin No. 35 lode mining claim has been located by AMERICAN SELCO INC. a New York corporation, whose address is 90 West Grove Street, Suite 100, Reno, Nevada 89509. The general course of this claim is North/South. This claim is 1500 feet in length along the course of the claim, being 10 feet from the point of discovery in a North direction to the North end line of this claim, and 1490 feet in a South direction to the South end line of the claim. This claim is 600 feet in width, being 300 feet in width on each side of the center line of the claim.

This claim is located within the NW Quarter of Section 36, Township 19 North, Range 49 East, Mount Diablo Base and Meridian, unknown Mining District, Eureka County, Nevada. The location monument of this claim is situated with reference to some natural object or permanent monument as follows: Corner no. 1 of this claim is located approximately 450.0 feet N 22° E from the located SW corner section 36 T19N R49E MDM

The corners of this claim are marked by 4"x4" posts or 4" trees with metal tags inscribed with the appropriate corner number as shown on the following sketch and the accompanying claim map:



The location work consisted of making the maps as provided in NRS 517.040.

Dated and posted on the ground this 28 day of May, 19 80)

Witnesses:

Locator:

AMERICAN SELCO INC.

By [Signature]
Agent for
American Selco Inc.

STATE OF NEVADA)

COUNTY OF _____) ss.

I hereby certify that the within instrument was filed and recorded at the request of:

FILE NO. _____
on _____
at _____
Docket _____ Page _____

OFFICIAL RECORDS
EUREKA COUNTY, NEVADA
FILE NO. 75563
PAGE 300

90 AUG 22 11:27

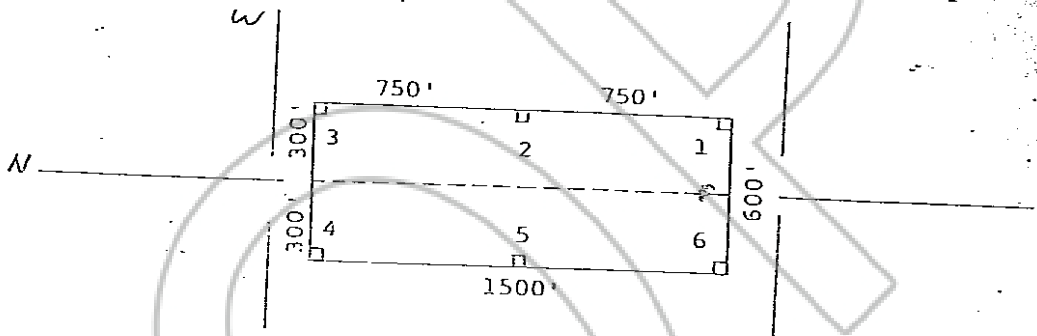
RECORDED AT REQUEST OF
American Selco Inc.
BOOK 85 PAGE 222

STATE OF NEVADA
 CERTIFICATE OF MINING LOCATION
 75564 LODE CLAIM ON PUBLIC DOMAIN

NOTICE IS HEREBY GIVEN that the Twin No. 36 lode mining claim has been located by AMERICAN SELCO INC. a New York corporation, whose address is 90 West Grove Street, Suite 100, Reno, Nevada 89509. The general course of this claim is North/South. This claim is 1500 feet in length along the course of the claim, being 1495 feet from the point of discovery in a North direction to the North end line of this claim, and 10 feet in a South direction to the South end line of the claim. This claim is 600 feet in width, being 300 feet in width on each side of the center line of the claim.

This claim is located within the NE1/4 Quarter of Section 30, Township 19 North, Range 49 East, Mount Diablo Base and Meridian, unknown Mining District, Eureka County, Nevada. The location monument of this claim is situated with reference to some natural object or permanent monument as follows: Corner no. 1 of this claim is located approximately 7300 feet N 22° E from the located SW corner section 36 T19N R49E MDM

The corners of this claim are marked by 4"x4" posts or 4" trees with metal tags inscribed with the appropriate corner number as shown on the following sketch and the accompanying claim map.



The location work consisted of making the maps as provided in NRS 517.040.

Dated and posted on the ground this 28 day of May 19 80

Witnesses: _____ Locator: AMERICAN SELCO INC.

 By [Signature] Agent for American Selco Inc.

STATE OF NEVADA)
) ss.
 COUNTY OF _____)

I hereby certify that the within instrument was filed and recorded at the request of: _____
 FILE NO. _____
 on _____
 at _____
 Docket _____ Page _____

RECORDED AT REQUEST OF
 American Selco Inc.
 BOOK 85 PAGE 223
 80 AUG 22 11:27
 OFFICIAL RECORDS
 EUREKA COUNTY, NEVADA
 WILLIAM J. JEROME, RECORDER
 FILING NO. 75564
 Fee \$ 3.00

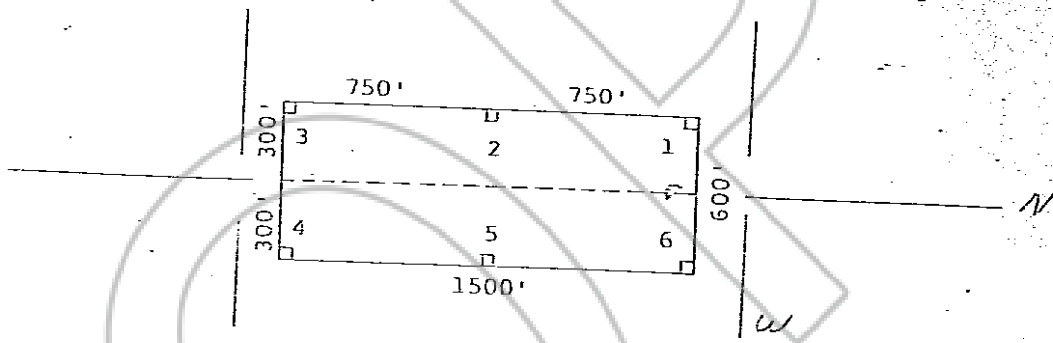
75565

STATE OF NEVADA
CERTIFICATE OF MINING LOCATION
LODE CLAIM ON PUBLIC DOMAIN

NOTICE IS HEREBY GIVEN that the Twin No. 37 lode mining claim has been located by AMERICAN SELCO INC. a New York corporation, whose address is 90 West Grove Street, Suite 100, Reno, Nevada 89509. The general course of this claim is North/South. This claim is 1500 feet in length along the course of the claim, being 10 feet from the point of discovery in a North direction to the North end line of this claim, and 1490 feet in a South direction to the South end line of the claim. This claim is 600 feet in width, being 300 feet in width on each side of the center line of the claim.

This claim is located within the NE Quarter of Section 36, Township 19 North, Range _____ East, Mount Diablo Base and Meridian, unknown Mining District, Eureka County, Nevada. The location monument of this claim is situated with reference to some natural object or permanent monument as follows: Corner no. 1 of this claim is located approximately 5500 feet N 33° E from the located SW corner section 36 T19N R49E MDM

The corners of this claim are marked by 4"x4" posts or 4" trees with metal tags inscribed with the appropriate corner number as shown on the following sketch and the accompanying claim map.



The location work consisted of making the maps as provided in NRS 517.040.

Dated and posted on the ground this 28 day of May, 19 80

Witnesses: _____

Locator: AMERICAN SELCO INC.
By _____
Agent for
American Selco Inc.

STATE OF NEVADA)
COUNTY OF _____) ss.

I hereby certify that the within instrument was filed and recorded at the request of: _____
FILE NO. _____
on _____
at _____
Docket _____ Page _____

RECORDED AT REQUEST OF
American Selco Inc.
BOOK 85 PAGE 224
80 AUG 22 11:27
OFFICIAL RECORDS
EUREKA COUNTY, NEVADA
WILLIS A. DEWITT, RECORDER
File No. 75565
Fee \$ 3.00

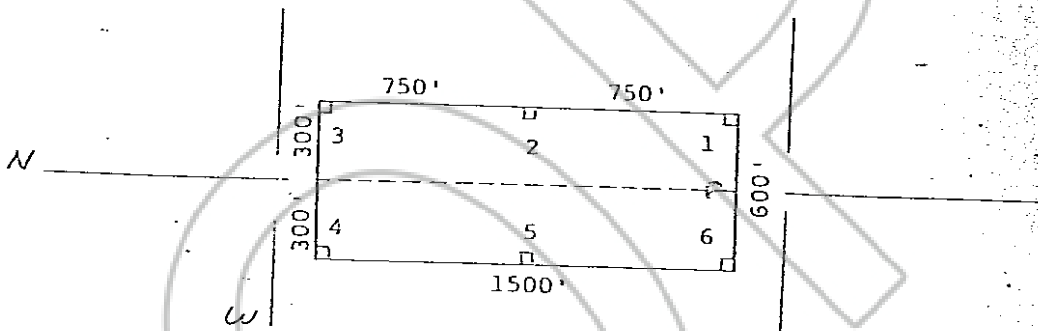
75566

STATE OF NEVADA
CERTIFICATE OF MINING LOCATION
LODE CLAIM ON PUBLIC DOMAIN

NOTICE IS HEREBY GIVEN that the Twin No. 38 lode mining claim has been located by AMERICAN SELCO INC. a New York corporation, whose address is 90 West Grove Street, Suite 100, Reno, Nevada 89509. The general course of this claim is North/South. This claim is 1500 feet in length along the course of the claim, being 1790 feet from the point of discovery in a North direction to the North end line of this claim, and 10 feet in a South direction to the South end line of the claim. This claim is 600 feet in width, being 300 feet in width on each side of the center line of the claim.

This claim is located within the N/E Quarter of Section 36, Township 19 North, Range 49 East, Mount Diablo Base and Meridian, unknown Mining District, Eureka County, Nevada. The location monument of this claim is situated with reference to some natural object or permanent monument as follows: Corner no. 1 of this claim is located approximately 500 feet N 33° E from the located SW corner section 36 T19N R49E MDM

The corners of this claim are marked by 4"x4" posts or 4" trees with metal tags inscribed with the appropriate corner number as shown on the following sketch and the accompanying claim map.



The location work consisted of making the maps as provided in NRS 517.040.

Dated and posted on the ground this 28 day of May, 19 80

Witnesses:

Locator:

AMERICAN SELCO INC.

By [Signature]
Agent for
American Selco Inc.

STATE OF NEVADA)
) ss.
COUNTY OF _____)

I hereby certify that the within instrument was filed and recorded at the request of: _____
FILE NO. _____
on _____
at _____
Docket _____ Page _____

OFFICIAL RECORDS
EUREKA COUNTY, NEVADA
WILLIS A. DEPAUL
Recorder
FILE NO. 75566
Page 300

80 AUG 22 11:27

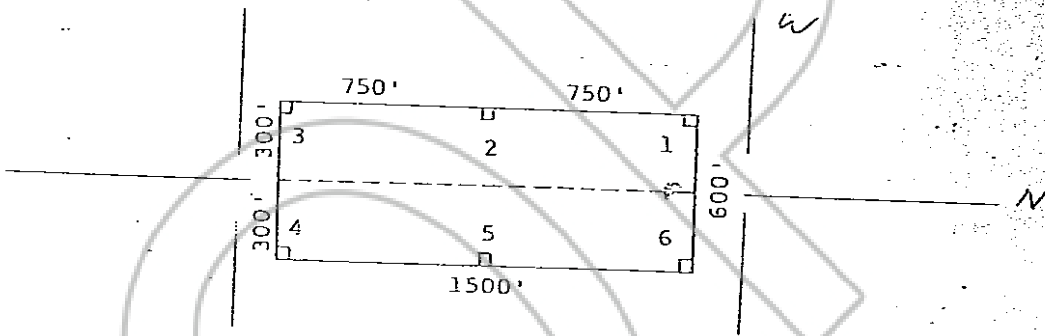
RECORDED AT REQUEST OF
American Selco Inc.
BOOK 85 PAGE 225

STATE OF NEVADA
CERTIFICATE OF MINING LOCATION
LODE CLAIM ON PUBLIC DOMAIN

NOTICE IS HEREBY GIVEN that the Twin No. 39 lode mining claim has been located by AMERICAN SELCO INC. a New York corporation, whose address is 99 West Grove Street, Suite 100, Reno, Nevada 89509. The general course of this claim is North/South. This claim is 1500 feet in length along the course of the claim, being 10 feet from the point of discovery in a North direction to the North end line of this claim, and 1490 feet in a South direction to the South end line of the claim. This claim is 600 feet in width, being 300 feet in width on each side of the center line of the claim.

This claim is located within the NE Quarter of Section 36, Township 19 North, Range 49 East, Mount Diablo Base and Meridian, unknown Mining District, Eureka County, Nevada. The location monument of this claim is situated with reference to some natural object or permanent monument as follows: Corner no. 1 of this claim is located approximately 5500 feet N 33° E from the located SW corner section 36 T19N R49E MDM

The corners of this claim are marked by 4"x4" posts or 4" trees with metal tags inscribed with the appropriate corner number as shown on the following sketch and the accompanying claim map.



The location work consisted of making the maps as provided in NRS 517.040.

Dated and posted on the ground this 28 day of May, 19 80

Witnesses:

Locator:

AMERICAN SELCO INC.

By [Signature]
Agent for
American Selco Inc.

STATE OF NEVADA)
COUNTY OF _____) ss.

I hereby certify that the within instrument was filed and recorded at the request of:

FILE NO. _____
on _____
at _____
Docket _____ Page _____

RECORDS
EUREKA COUNTY, NEVADA
WILLIAM A. DEPAUL
FILED 10:55 AM
AUG 22 1980
Fees 3.00

RECORDED AT REQUEST OF
American Selco, Inc.
BOOK 85 PAGE 226
80 AUG 22 11:27

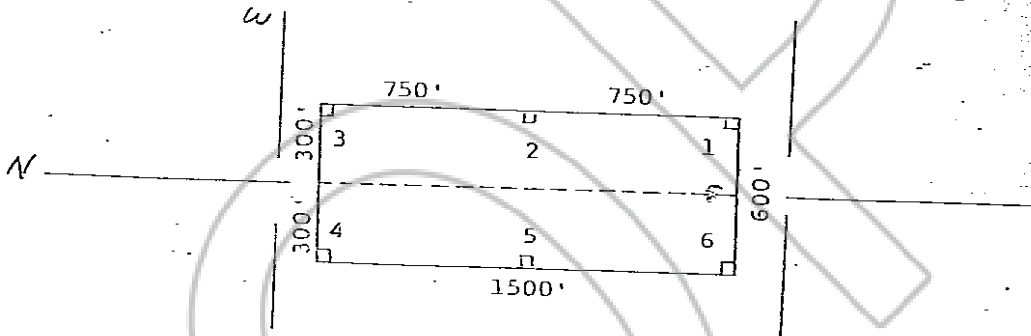
STATE OF NEVADA
 CERTIFICATE OF MINING LOCATION
 LODE CLAIM ON PUBLIC DOMAIN

75568

NOTICE IS HEREBY GIVEN that the Twin No. 40 lode mining claim has been located by AMERICAN SELCO INC. a New York corporation, whose address is 99 West Grove Street, Suite 100, Reno, Nevada 89509. The general course of this claim is North/South. This claim is 1500 feet in length along the course of the claim, being 1490 feet from the point of discovery in a North direction to the North end line of this claim, and 10 feet in a South direction to the South end line of the claim. This claim is 600 feet in width, being 300 feet in width on each side of the center line of the claim.

This claim is located within the N1E Quarter of Section 36, Township 19 North, Range 49 East, Mount Diablo Base and Meridian, unknown Mining District, Eureka County, Nevada. The location monument of this claim is situated with reference to some natural object or permanent monument as follows: Corner no. 1 of this claim is located approximately 5300 feet N 33° E from the located SW corner section 36 T19N R49E MDM

The corners of this claim are marked by 4"x4" posts or 4" trees with metal tags inscribed with the appropriate corner number as shown on the following sketch and the accompanying claim map.



The location work consisted of making the maps as provided in NRS 517.040.

Dated and posted on the ground this 28 day of May, 19 80

Witnesses:

Locator:

AMERICAN SELCO INC.

By [Signature]
 Agent for
 American Selco Inc.

STATE OF NEVADA)
) ss.
 COUNTY OF _____)

I hereby certify that the within instrument was filed and recorded at the request of: _____

FILE NO. _____
 on _____
 at _____
 Docket _____ Page _____

OFFICIAL RECORDS
 EUREKA COUNTY, NEVADA
 WILLIAM A. DEPAOLI, RECORDER
 FILED 75568
 FEE \$ 3.00

80 AUG 22 AM 11:27

RECORDED AT REQUEST OF
 American Selco, Inc.
 BOOK 85 PAGE 227

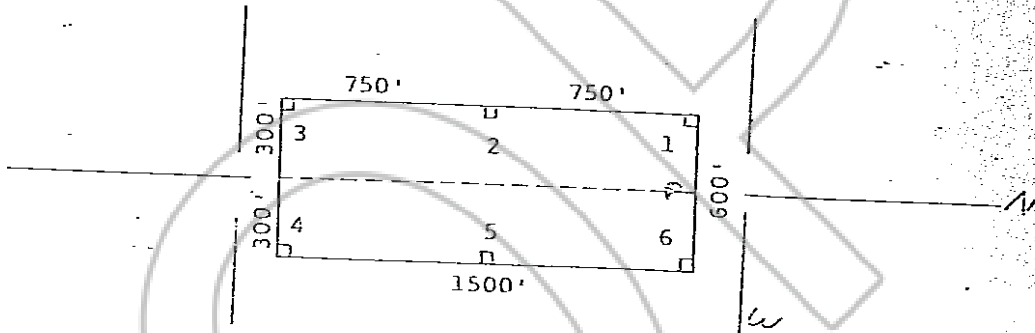
75569

STATE OF NEVADA
CERTIFICATE OF MINING LOCATION
LODE CLAIM ON PUBLIC DOMAIN

NOTICE IS HEREBY GIVEN that the Twin No. 41 lode mining claim has been located by AMERICAN SELCO INC. a New York corporation, whose address is 90 West Grove Street, Suite 100, Reno, Nevada 89509. The general course of this claim is North/South. This claim is 1500 feet in length along the course of the claim, being 10 feet from the point of discovery in a North direction to the North end line of this claim, and 1490 feet in a South direction to the South end line of the claim. This claim is 600 feet in width, being 300 feet in width on each side of the center line of the claim.

This claim is located within the NE Quarter of Section 36, Township 19 North, Range 49 East, Mount Diablo Base and Meridian, unknown Mining District, Eureka County, Nevada. The location monument of this claim is situated with reference to some natural object or permanent monument as follows: Corner no. 1 of this claim is located approximately 620.0 feet N 43° E from the located SW corner section 36 T19N R49E MDM

The corners of this claim are marked by 4"x4" posts or 4" trees with metal tags inscribed with the appropriate corner number as shown on the following sketch and the accompanying claim map.



The location work consisted of making the maps as provided in NRS 517.040.

Dated and posted on the ground this 23 day of May 19 80)

Witnesses:

Locator:

AMERICAN SELCO INC.

By [Signature]
Agent for
American Selco Inc.

STATE OF NEVADA)

COUNTY OF _____) ss.

I hereby certify that the within instrument was filed and recorded at the request of: _____
FILE NO. _____
on _____
at _____
Docket _____ page _____

80 AUG 22 11:27
RECORDED AT REQUEST OF
American Selco Inc.
Book 85 PAGE 238
OFFICIAL RECORDS
NEVADA COUNTY CLERK
WILLIAM A. DEPAOL
FILE NO. 75569
FILE \$ 3.00

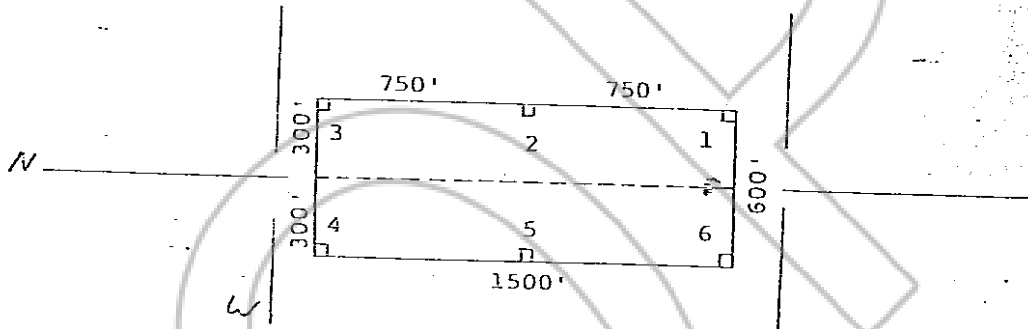
75570

STATE OF NEVADA
CERTIFICATE OF MINING LOCATION
LODE CLAIM ON PUBLIC DOMAIN

NOTICE IS HEREBY GIVEN that the Twin No. 42 lode mining claim has been located by AMERICAN SELCO INC a New York corporation, whose address is 99 West Grove Street, Suite 100, Reno, Nevada 89509. The general course of this claim is North/South. This claim is 1500 feet in length along the course of the claim, being 1490 feet from the point of discovery in a North direction to the North end line of this claim, and 10 feet in a South direction to the South end line of the claim. This claim is 600 feet in width, being 300 feet in width on each side of the center line of the claim.

This claim is located within the NE Quarter of Section 36, Township 19 North, Range 49 East, Mount Diablo Base and Meridian, unknown Mining District, Eureka County, Nevada. The location monument of this claim is situated with reference to some natural object or permanent monument as follows: Corner no. 1 of this claim is located approximately 6200 feet N 43° E from the located SW corner section 36 T19N R49E MDM.

The corners of this claim are marked by 4"x4" posts or 4" trees with metal tags inscribed with the appropriate corner number as shown on the following sketch and the accompanying claim-map.



The location work consisted of making the maps as provided in NRS 517.040.

Dated and posted on the ground this 25 day of May, 19 80

Witnesses:

Locator:

AMERICAN SELCO INC.

By [Signature]
Agent for
American Selco Inc.

STATE OF NEVADA)
) ss.
COUNTY OF _____)

I hereby certify that the within instrument was filed and recorded at the request of: _____
FILE NO. _____
on _____
at _____
Docket _____ Page _____

OFFICIAL RECORDS
EUREKA COUNTY, NEVADA
FILE NO. 75570
FILED 8-22-80

80 AUG 22 11:27

RECORDED AT REQUEST OF
American Selco Inc.
BOOK 85 PAGE 229

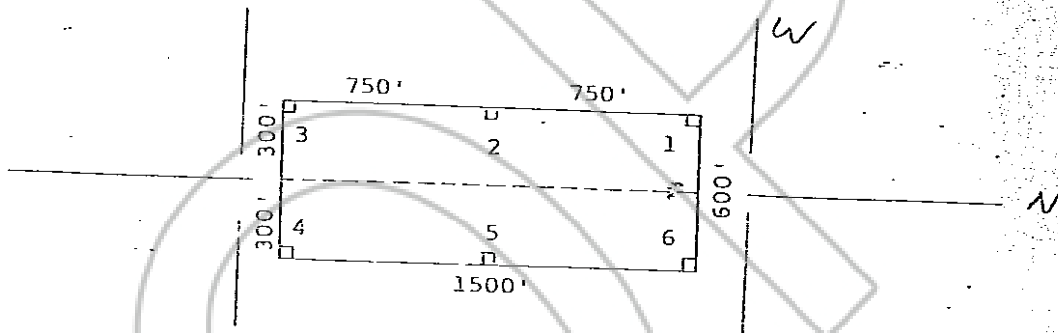
STATE OF NEVADA
 CERTIFICATE OF MINING LOCATION
 LODE CLAIM ON PUBLIC DOMAIN

75571

NOTICE IS HEREBY GIVEN that the Twin No. 43 lode mining claim has been located by AMERICAN SELCO INC. a New York corporation, whose address is 99 West Grove Street, Suite 100, Reno, Nevada 89509. The general course of this claim is North/South. This claim is 1500 feet in length along the course of the claim, being 10 feet from the point of discovery in a North direction to the North end line of this claim, and (590) feet in a South direction to the South end line of the claim. This claim is 600 feet in width, being 300 feet in width on each side of the center line of the claim.

This claim is located within the III E Quarter of Section 36, Township 19 North, Range 49 East, Mount Diablo Base and Meridian, unknown Mining District, Eureka County, Nevada. The location monument of this claim is situated with reference to some natural object or permanent monument as follows: Corner no. 1 of this claim is located approximately 6200 feet N 43° E from the located SW corner section 36 T19N R49E MDM

The corners of this claim are marked by 4"x4" posts or 4" trees with metal tags inscribed with the appropriate corner number as shown on the following sketch and the accompanying claim map.



The location work consisted of making the maps as provided in NRS 517.040.

Dated and posted on the ground this 28 day of May, 1980

Witnesses:

Locator:

AMERICAN SELCO INC.

By [Signature]
 Agent for
 American Selco Inc.

STATE OF NEVADA)
) ss.
 COUNTY OF _____)

I hereby certify that the within instrument was filed and recorded at the request of: _____
 FILE NO. _____
 on _____
 at _____
 Docket _____ page _____

OFFICIAL RECORDS
 EUREKA COUNTY, NEVADA
 WILLIS A. DEWOLF, RECORDER
 File No. 75571
 Fee \$ 3.00

80 AUG 22 11:27

RECORDED AT REQUEST OF
 American Selco Inc.
 BOOK 85 PAGE 230

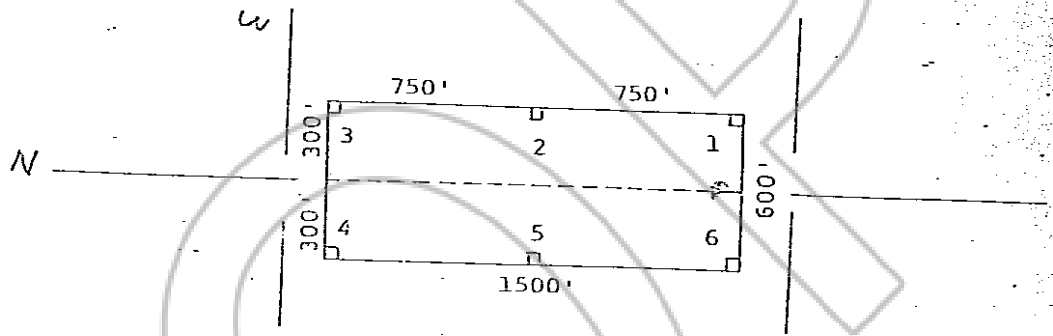
STATE OF NEVADA
 CERTIFICATE OF MINING LOCATION
 LODE CLAIM ON PUBLIC DOMAIN

75572

NOTICE IS HEREBY GIVEN that the Twin No. 44 lode mining claim has been located by AMERICAN SELCO INC. a New York corporation, whose address is 90 West Grove Street, Suite 100, Reno, Nevada 89509. The general course of this claim is North/South. This claim is 1500 feet in length along the course of the claim, being 1490 feet from the point of discovery in a North direction to the North end line of this claim, and 10 feet in a South direction to the South end line of the claim. This claim is 600 feet in width, being 300 feet in width on each side of the center line of the claim.

This claim is located within the N/E Quarter of Section 36, Township 19 North, Range 49 East, Mount Diablo Base and Meridian, unknown Mining District, Eureka County, Nevada. The location monument of this claim is situated with reference to some natural object or permanent monument as follows: Corner no. 1 of this claim is located approximately 6200 feet N 43° E from the located SW corner section 36 T19N R49E MDM

The corners of this claim are marked by 4"x4" posts or 4" trees with metal tags inscribed with the appropriate corner number as shown on the following sketch and the accompanying claim map.



The location work consisted of making the maps as provided in NRS 517.040.

Dated and posted on the ground this 28 day of May, 19 80

Witnesses: _____ Locator: AMERICAN SELCO INC.

 By [Signature] Agent for American Selco Inc.

STATE OF NEVADA)
) ss.
 COUNTY OF _____)

I hereby certify that the within instrument was filed and recorded at the request of: _____
 FILE NO. _____
 on _____
 at _____
 Docket _____ Page _____

RECORDED AT REQUEST OF
 American Selco Inc.
 BOOK 85 PAGE 231
 80 AUG 22 11:27
 OFFICE OF THE CLERK
 EUREKA COUNTY, NEVADA
 WILLIS A. DEWITT, CLERK
 Fee: \$ 3.00

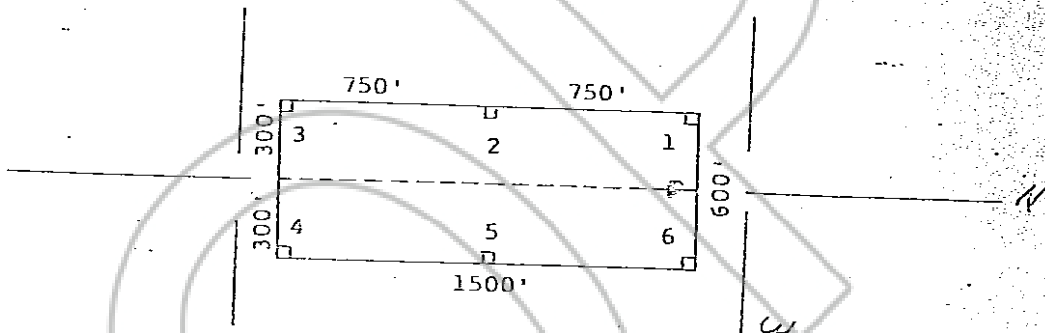
STATE OF NEVADA
 CERTIFICATE OF MINING LOCATION
 LOSE CLAIM ON PUBLIC DOMAIN

75573

NOTICE IS HEREBY GIVEN that the Twin No. 75 lode mining claim has been located by AMERICAN SELCO INC. a New York corporation, whose address is 99 West Grove Street, Suite 100, Reno, Nevada 89509. The general course of this claim is North/South. This claim is 1500 feet in length along the course of the claim, being 10 feet from the point of discovery in a North direction to the North end line of this claim, and 1790 feet in a South direction to the South end line of the claim. This claim is 600 feet in width, being 300 feet in width on each side of the center line of the claim.

This claim is located within the N1E Quarter of Section 36, Township 19 North, Range 49 East, Mount Diablo Base and Meridian, unknown Mining District, Eureka County, Nevada. The location monument of this claim is situated with reference to some natural object or permanent monument as follows: Corner no. 1 of this claim is located approximately 710.0 feet N 50° E from the located SW corner section 36 T19N R49E MDM

The corners of this claim are marked by 4"x4" posts or 4" trees with metal tags inscribed with the appropriate corner number as shown on the following sketch and the accompanying claim-map.



The location work consisted of making the maps as provided in NRS 517.040.

Dated and posted on the ground this 28 day of May, 19 80

Witnesses:

Locator:

AMERICAN SELCO INC.

By [Signature]
 Agent for
 American Selco Inc.

STATE OF NEVADA)
) ss.
 COUNTY OF _____)

I hereby certify that the within instrument was filed and recorded at the request of: _____

FILE NO. _____
 on _____
 at _____
 Docket _____ Page _____

RECORDED AT REQUEST OF
 American Selco Inc.
 BOOK 85 PAGE 232
 80 AUG 22 11:28
 OFFICE OF THE CLERK
 COUNTY CLERK
 WILLIAMS DIVISION
 NEVADA
 FILE NO. 75573
 REC'D 8/22/80
 Fee \$ 3.00

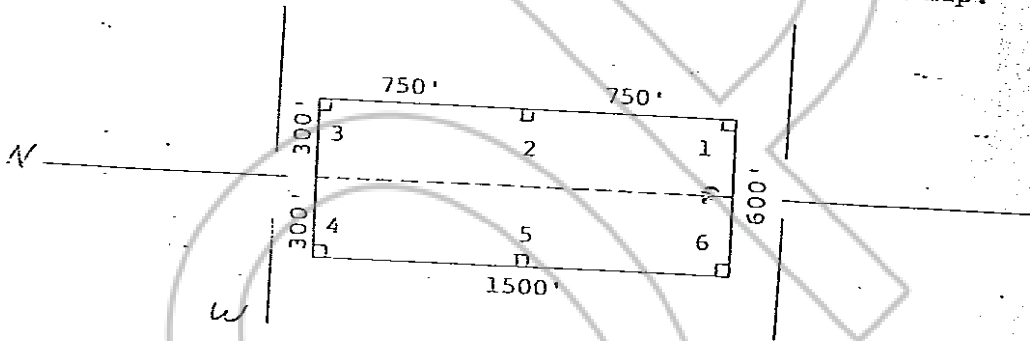
75574

STATE OF NEVADA
CERTIFICATE OF MINING LOCATION
LODE CLAIM ON PUBLIC DOMAIN

NOTICE IS HEREBY GIVEN that the Twin No. 46 lode mining claim has been located by AMERICAN SELCO INC. a New York corporation, whose address is 90 West Grove Street, Suite 100, Reno, Nevada 89509. The general course of this claim is North/South. This claim is 1500 feet in length along the course of the claim, being 1490 feet from the point of discovery in a North direction to the North end line of this claim, and 10 feet in a South direction to the South end line of the claim. This claim is 600 feet in width, being 300 feet in width on each side of the center line of the claim.

This claim is located within the NE Quarter of Section 36, Township 19 North, Range 49 East, Mount Diablo Base and Meridian, unknown Mining District, Eureka County, Nevada. The location monument of this claim is situated with reference to some natural object or permanent monument as follows: Corner no. 1 of this claim is located approximately 700 feet N 50° E from the located SW corner section 36 T19N R49E MDM

The corners of this claim are marked by 4"x4" posts or 4" trees with metal tags inscribed with the appropriate corner number as shown on the following sketch and the accompanying claim map.



The location work consisted of making the maps as provided in NRS 517.040.

Dated and posted on the ground this 28 day of May, 19 80)

Witnesses:

Locator:

AMERICAN SELCO INC.

By [Signature]
Agent for
American Selco Inc.

STATE OF NEVADA)

COUNTY OF _____) ss.

I hereby certify that the within instrument was filed and recorded at the request of: _____

FILE NO. _____

on _____

at _____

Docket _____ Page _____

RECORDED AT REQUEST OF
American Selco Inc.
BOOK 85 PAGE 233
80 AUG 22 AM 11:28
OFFICIAL RECORDS
EUREKA COUNTY, NEVADA
WILLIS A. DEKALF, CLERK
FILE NO. 75574
FEE \$ 3.00

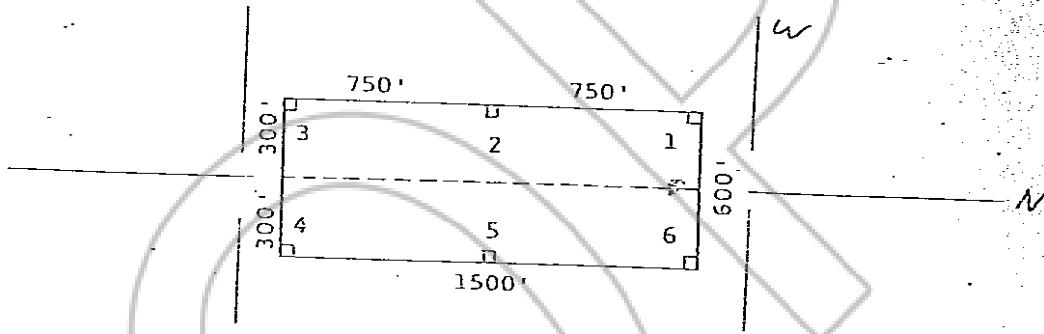
75575

STATE OF NEVADA
CERTIFICATE OF MINING LOCATION
LODE CLAIM ON PUBLIC DOMAIN

NOTICE IS HEREBY GIVEN that the Twin No. 47 lode mining claim has been located by AMERICAN SELCO INC. a New York corporation, whose address is 99 West Grove Street, Suite 100, Reno, Nevada 89509. The general course of this claim is North/South. This claim is 1500 feet in length along the course of the claim, being 10 feet from the point of discovery in a North direction to the North end line of this claim, and 1490 feet in a South direction to the South end line of the claim. This claim is 600 feet in width, being 300 feet in width on each side of the center line of the claim.

This claim is located within the NW Quarter of Section 31, Township 19 North, Range 50 East, Mount Diablo Base and Meridian, unknown Mining District, Eureka County, Nevada. The location monument of this claim is situated with reference to some natural object or permanent monument as follows: Corner no. 1 of this claim is located approximately 7100 feet N 50° E from the located SW corner section 36 T19N R49E MDM

The corners of this claim are marked by 4"x4" posts or 4" trees with metal tags inscribed with the appropriate corner number as shown on the following sketch and the accompanying claim-map.



The location work consisted of making the maps as provided in NRS 517.040.

Dated and posted on the ground this 28 day of May, 19 80

Witnesses:

Locator:

AMERICAN SELCO INC.

By [Signature]
Agent for
American Selco

STATE OF NEVADA)
) ss.
COUNTY OF _____)

I hereby certify that the within instrument was filed and recorded at the request of:

FILE NO. _____
on _____
at _____
Docket _____ Page _____

RECORDED AT REQUEST OF
American Selco Inc.
BOOK 85 PAGE 234
30 AUG 22 A 11:28
OFFICIAL RECORDS
EUREKA COUNTY, NEVADA
WILSON A. DEPAOLI, RECORDER
FILE NO. 75575
OFFICE # 300

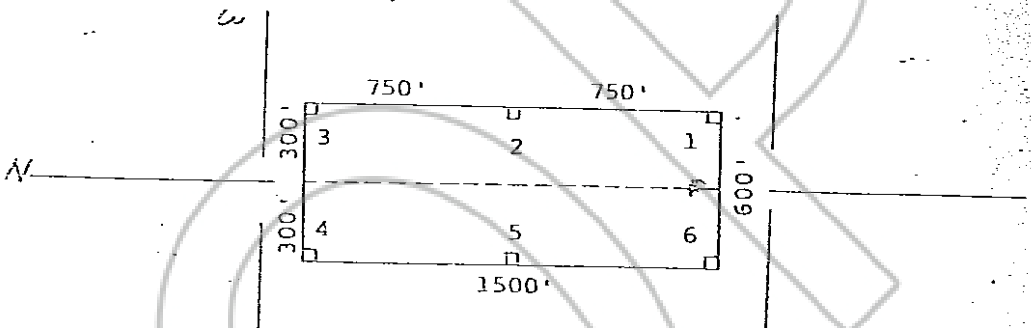
STATE OF NEVADA
CERTIFICATE OF MINING LOCATION
LODE CLAIM ON PUBLIC DOMAIN

75576

NOTICE IS HEREBY GIVEN that the Twin No. 48 lode mining claim has been located by AMERICAN SELCO INC a New York corporation, whose address is 99 West Grove Street, Suite 100, Reno, Nevada 89509. The general course of this claim is North/South. This claim is 1500 feet in length along the course of the claim, being 1490 feet from the point of discovery in a North direction to the North end line of this claim, and 10 feet in a South direction to the South end line of the claim. This claim is 600 feet in width, being 300 feet in width on each side of the center line of the claim.

This claim is located within the NW Quarter of Section 31, Township 19 North, Range 50 East, Mount Diablo Base and Meridian, unknown Mining District, Eureka County, Nevada. The location monument of this claim is situated with reference to some natural object or permanent monument as follows: Corner no. 1 of this claim is located approximately 710.0 feet N 50° E from the located SW corner section 36 T19N R49E MDM

The corners of this claim are marked by 4"x4" posts or 4" trees with metal tags inscribed with the appropriate corner number as shown on the following sketch and the accompanying claim map.



The location work consisted of making the maps as provided in NRS 517.040.

Dated and posted on the ground this 28 day of May, 1980

Witnesses:

Locator:

AMERICAN SELCO INC.

By [Signature]
Agent for
American Selco Inc.

STATE OF NEVADA)
) ss.
COUNTY OF _____)

I hereby certify that the within instrument was filed and recorded at the request of: _____
FILE NO. _____
on _____
at _____
Docket _____ Page _____

OFFICIAL RECORDS
ESQUEL COUNTY NEVADA
WILLIAM A. DEPAOLI - RECORDER
FILE NO. 75576
FEE \$3.00

80 AUG 22 11:28

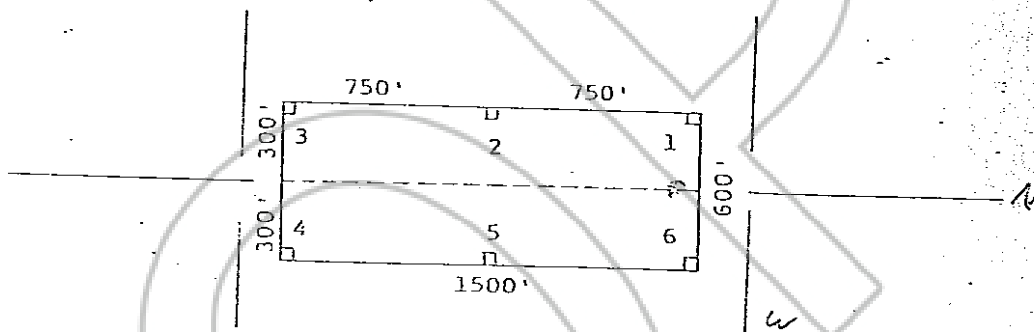
RECORDED AT REQUEST OF
American Selco Inc.
BOOK 85 PAGE 235

STATE OF NEVADA
 CERTIFICATE OF MINING LOCATION
 LODE CLAIM ON PUBLIC DOMAIN

NOTICE IS HEREBY GIVEN that the Twin No. 49 lode mining claim has been located by AMERICAN SELCO INC. a New York corporation, whose address is 99 West Grove Street, Suite 100, Reno, Nevada 89509. The general course of this claim is North/South. This claim is 1500 feet in length along the course of the claim, being 10 feet from the point of discovery in a North direction to the North end line of this claim, and 1490 feet in a South direction to the South end line of the claim. This claim is 600 feet in width, being 300 feet in width on each side of the center line of the claim.

This claim is located within the NW Quarter of Section 31, Township 19 North, Range 50 East, Mount Diablo Base and Meridian, unknown Mining District, Eureka County, Nevada. The location monument of this claim is situated with reference to some natural object or permanent monument as follows: Corner no. 1 of this claim is located approximately 5100 feet N 55° E from the located SW corner section 36 T19N R49E MDM

The corners of this claim are marked by 4"x4" posts or 4" trees with metal tags inscribed with the appropriate corner number as shown on the following sketch and the accompanying claim-map.



The location work consisted of making the maps as provided in NRS 517.040.

Dated and posted on the ground this 28 day of May, 1980

Witnesses:

Locator:

AMERICAN SELCO INC.

By [Signature]
 Agent for
 American Selco Inc.

STATE OF NEVADA)
) ss.
 COUNTY OF _____)

I hereby certify that the within instrument was filed and recorded at the request of: _____
 FILE NO. _____
 on _____
 at _____
 Docket _____ page _____

RECORDED AT REQUEST OF
American Selco Inc
 BOOK 85 PAGE 236
 80 AUG 22 11:28
 OFFICIAL RECORDS
 EUREKA COUNTY NEVADA
 WILLIS A. DEBRAU, RECORDER
 File No. 75577
 Fee \$ 3.00

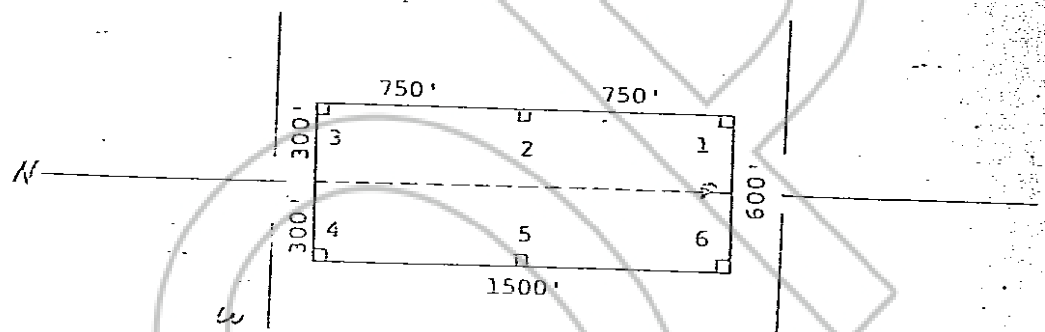
75578

STATE OF NEVADA
CERTIFICATE OF MINING LOCATION
LODE CLAIM ON PUBLIC DOMAIN

NOTICE IS HEREBY GIVEN that the Twin No. 50 lode mining claim has been located by AMERICAN SELCO INC. a New York corporation, whose address is 90 West Grove Street, Suite 100, Reno, Nevada 89509. The general course of this claim is North/South. This claim is 1500 feet in length along the course of the claim, being 1490 feet from the point of discovery in a North direction to the North end line of this claim, and 10 feet in a South direction to the South end line of the claim. This claim is 600 feet in width, being 300 feet in width on each side of the center line of the claim.

This claim is located within the Alta Quarter of Section 31, Township 19 North, Range 50 East, Mount Diablo Base and Meridian, unknown Mining District, Eureka County, Nevada. The location monument of this claim is situated with reference to some natural object or permanent monument as follows: Corner no. 1 of this claim is located approximately 500 feet N 55° E from the located SW corner section 36 T19N R49E MDM

The corners of this claim are marked by 4"x4" posts or 4" trees with metal tags inscribed with the appropriate corner number as shown on the following sketch and the accompanying claim map.



The location work consisted of making the maps as provided in NRS 517.040.

Dated and posted on the ground this 28 day of May, 19 80

Witnesses: _____ Locator: _____
_____ AMERICAN SELCO INC.
By [Signature]
Agent for
American Selco Inc.

STATE OF NEVADA)
COUNTY OF _____) ss.

I hereby certify that the within instrument was filed and recorded at the request of: _____
FILE NO. _____
on _____
at _____
Docket _____ Page _____

RECORDED AT REQUEST OF
American Selco Inc.
BOOK 85 PAGE 237
80 AUG 22 11:28
OFFICE OF THE CLERK
EUREKA COUNTY, NEVADA
FILE NO. 75578

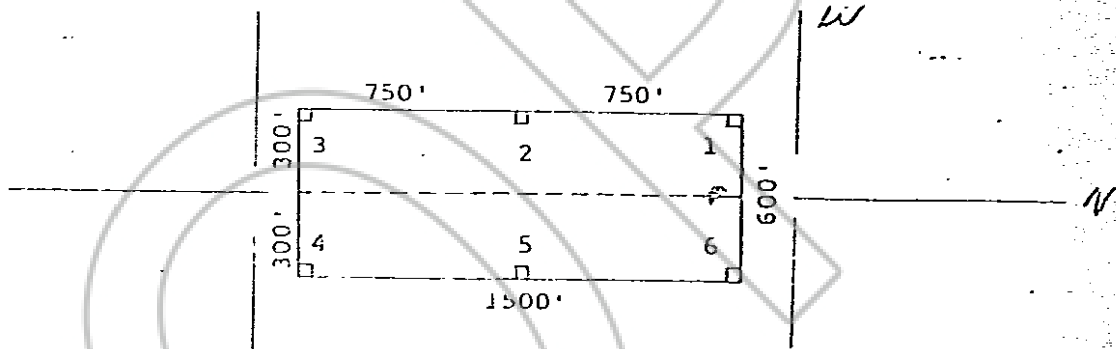
STATE OF NEVADA
 CERTIFICATE OF MINING LOCATION
 LODE CLAIM ON PUBLIC DOMAIN

75579

NOTICE IS HEREBY GIVEN that the Twin No. 51 lode mining claim has been located by AMERICAN SELCO INC. a New York corporation, whose address is 95 West Grove Street, Suite 100, Reno, Nevada 89509. The general course of this claim is North/South. This claim is 1500 feet in length along the course of the claim, being 10 feet from the point of discovery in a North direction to the North end line of this claim, and 1490 feet in a South direction to the South end line of the claim. This claim is 600 feet in width, being 300 feet in width on each side of the center line of the claim.

This claim is located within the N6W Quarter of Section 31, Township 19 North, Range 50 East, Mount Diablo Base and Meridian, unknown Mining District, Eureka County, Nevada. The location monument of this claim is situated with reference to some natural object or permanent monument as follows: Corner no. 1 of this claim is located approximately 8100 feet N 55° E from the located SW corner! section 36 T19N R49E MDM

The corners of this claim are marked by 4"x4" posts or 4" trees with metal tags inscribed with the appropriate corner number as shown on the following sketch and the accompanying claim map.



The location work consisted of making the maps as provided in NRS 517.040.

Dated and posted on the ground this 28 day of May 19 80

Witnesses:

Locator:

AMERICAN SELCO INC.

By [Signature]
 Agent for

American Selco Inc.

STATE OF NEVADA)
) ss.
 COUNTY OF _____)

I hereby certify that the within instrument was filed and recorded at the request of: _____
 FILE NO. _____
 on _____
 at _____
 Docket _____ Page _____

RECORDED AT REQUEST OF
 American Selco Inc.
 BOOK 85 PAGE 238
 80 AUG 22 11:28
 OFFICIAL RECORDS
 EUREKA COUNTY NEVADA
 WILLIAM A. HANCOCK, RECORDER
 FILED 75579
 FEE \$3.00

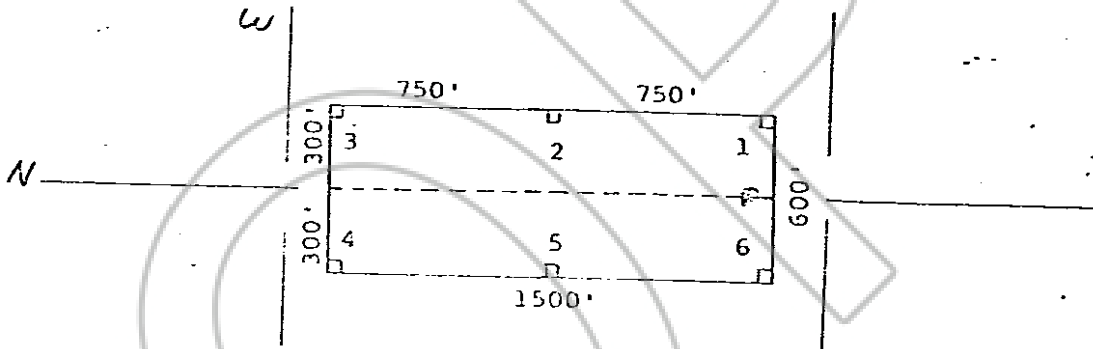
STATE OF NEVADA
 CERTIFICATE OF MINING LOCATION
 LODE CLAIM ON PUBLIC DOMAIN

75580

NOTICE IS HEREBY GIVEN that the Twin No. 52 lode mining claim has been located by AMERICAN SELCO INC. a New York corporation, whose address is 90 West Grove Street, Suite 100, Reno, Nevada 89509. The general course of this claim is North/South. This claim is 1500 feet in length along the course of the claim, being 1490 feet from the point of discovery in a North direction to the North end line of this claim, and 10 feet in a South direction to the South end line of the claim. This claim is 600 feet in width, being 300 feet in width on each side of the center line of the claim.

This claim is located within the NW Quarter of Section 31, Township 19 North, Range 50 East, Mount Diablo Base and Meridian, unknown Mining District, Eureka County, Nevada. The location monument of this claim is situated with reference to some natural object or permanent monument as follows: Corner no. 1 of this claim is located approximately 810 feet N 55° E from the located SW corner section 36 T19N R49E MDM

The corners of this claim are marked by 4"x4" posts or 4" trees with metal tags inscribed with the appropriate corner number as shown on the following sketch and the accompanying claim map.



The location work consisted of making the maps as provided in NRS 517.040.

Dated and posted on the ground this 28 day of May, 19 80

Witnesses:

Locator:

AMERICAN SELCO INC.

By [Signature]
 Agent for
 American Selco Inc.

STATE OF NEVADA)
) ss.
 COUNTY OF _____)

I hereby certify that the within instrument was filed and recorded at the request of: _____
 FILE NO. _____
 on _____
 at _____
 Docket _____ page _____

OFFICIAL RECORDS
 EUREKA COUNTY, NEVADA
 WALTER A. DUFFY, RECORDER
 FILE NO. 75580
 Fees 3.00

80 AUG 22 AM 11:28

RECORDED AT REQUEST OF
 American Selco Inc.
 BOOK 85 PAGE 239

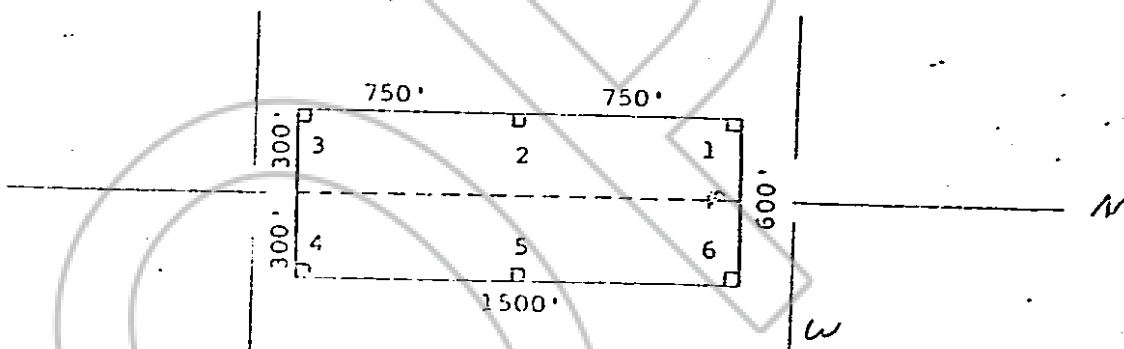
STATE OF NEVADA
CERTIFICATE OF MINING LOCATION
LODE CLAIM ON PUBLIC DOMAIN

75581

NOTICE IS HEREBY GIVEN that the Twin No. 53 lode mining claim has been located by AMERICAN SELCO INC. a New York corporation, whose address is 99 West Grove Street, Suite 100, Reno, Nevada 89509. The general course of this claim is North/South. This claim is 1500 feet in length along the course of the claim, being 10 feet from the point of discovery in a North direction to the North end line of this claim, and 1490 feet in a South direction to the South end line of the claim. This claim is 600 feet in width, being 300 feet in width on each side of the center line of the claim.

This claim is located within the NEW Quarter of Section 31, Township 19 North, Range 50 East, Mount Diablo Base and Meridian, unknown Mining District, Eureka County, Nevada. The location monument of this claim is situated with reference to some natural object or permanent monument as follows: Corner no. 1 of this claim is located approximately 910.0 feet N 60° E from the located SW corner section 36 T19N R49E MDM

The corners of this claim are marked by 4"x4" posts or 4" trees with metal tags inscribed with the appropriate corner number as shown on the following sketch and the accompanying claim map.



The location work consisted of making the maps as provided in NRS 517.040.

Dated and posted on the ground this 28 day of May, 19 80)

Witnesses:

Locator:

AMERICAN SELCO INC.

By [Signature]
Agent for
American Selco Inc.

STATE OF NEVADA)
) ss.
COUNTY OF _____)

I hereby certify that the within instrument was filed and recorded at the request of: _____
FILE NO. _____
on _____
at _____
Docket _____ Page _____

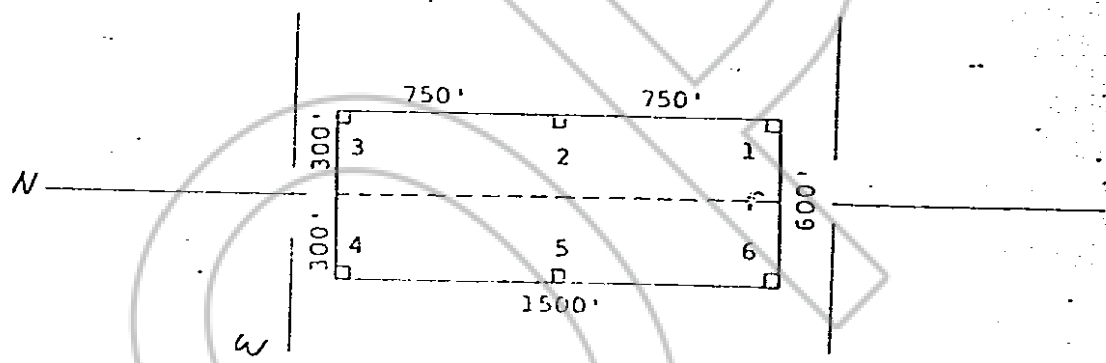
RECORDED AT REQUEST OF
American Selco Inc.
BOOK 85 PAGE 270
80 AUG 22 11:28
OFFICIAL RECORDS
EUREKA COUNTY, NEVADA
WILLIS A. HERRINGTON
FILE NO. 75581
FEE \$ 3.00

STATE OF NEVADA
 CERTIFICATE OF MINING LOCATION
 LODE CLAIM ON PUBLIC DOMAIN

75582
 NOTICE IS HEREBY GIVEN that the Twin No. 54
 lode mining claim has been located by AMERICAN SELCO INC.
 a New York corporation, whose address is 99 West Grove Street,
 Suite 100, Reno, Nevada 89509. The general course of this claim
 is North/South. This claim is 1500 feet in length
 along the course of the claim, being 1490 feet from the point
 of discovery in a North direction to the North end
 line of this claim, and 10 feet in a South
 direction to the South end line of the claim. This claim is
 600 feet in width, being 300 feet in width on each side of the
 center line of the claim.

This claim is located within the NW Quarter
 of Section 31, Township 19 North, Range 50
 East, Mount Diablo Base and Meridian, unknown Mining District,
 Eureka County, Nevada. The location monument of this claim is
 situated with reference to some natural object or permanent monument
 as follows: Corner no. 1 of this claim is located approximately 9100
feet N 60° E from the located SW corner section 36 T19N R49E MDM

The corners of this claim are marked by 4"x4" posts or 4" trees
 with metal tags inscribed with the appropriate corner number as
 shown on the following sketch and the accompanying claim map.



The location work consisted of making the maps as provided in
 NRS 517.040.

Dated and posted on the ground this 28 day of May
 19 80)

Witnesses:

Locator:
 AMERICAN SELCO INC.
 By [Signature]
 Agent for
 American Selco Inc.

STATE OF NEVADA)
) ss.
 COUNTY OF _____)

I hereby certify that the within
 instrument was filed and recorded at
 the request of: _____
 FILE NO. _____
 on _____
 at _____
 Docket _____ page _____

OFFICIAL RECORDS
 EUREKA COUNTY, NEVADA
 FILE NO. 75582
 FEE \$3.00
 80 AUG 22 11:28
 RECORDED AT REQUEST OF
 American Selco Inc.
 BOOK 85 PAGE 241

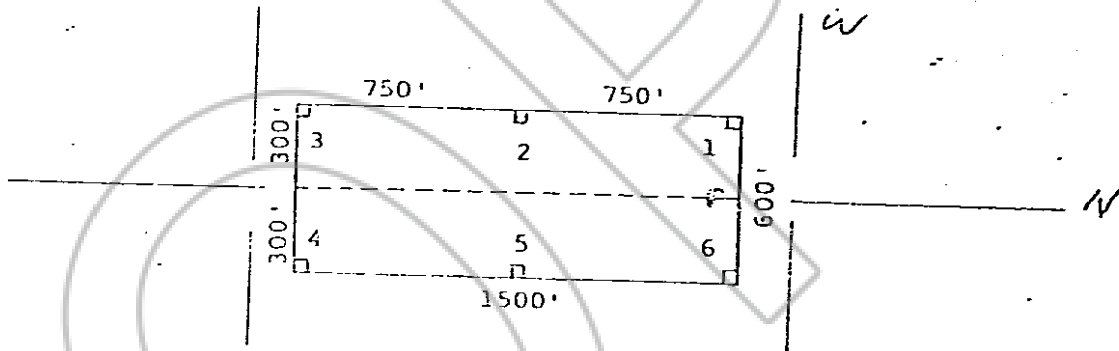
STATE OF NEVADA
 CERTIFICATE OF MINING LOCATION
 LODE CLAIM ON PUBLIC DOMAIN

75583

NOTICE IS HEREBY GIVEN that the Twin No. 55 lode mining claim has been located by AMERICAN SELCO INC. a New York corporation, whose address is 90 West Grove Street, Suite 100, Reno, Nevada 89509. The general course of this claim is North/South. This claim is 1500 feet in length along the course of the claim, being 10 feet from the point of discovery in a North direction to the North end line of this claim, and 1490 feet in a South direction to the South end line of the claim. This claim is 600 feet in width, being 300 feet in width on each side of the center line of the claim.

This claim is located within the NE Quarter of Section 31, Township 19 North, Range 50 East, Mount Diablo Base and Meridian, unknown Mining District, Eureka County, Nevada. The location monument of this claim is situated with reference to some natural object or permanent monument as follows: Corner no. 1 of this claim is located approximately 7100 feet N 60° E from the located SW corner section 36 T19N R49E MDM

The corners of this claim are marked by 4"x4" posts or 4" trees with metal tags inscribed with the appropriate corner number as shown on the following sketch and the accompanying claim map.



The location work consisted of making the maps as provided in NRS 517.040.

Dated and posted on the ground this 28 day of May, 19 80

Witnesses:

Locator:

AMERICAN SELCO INC.

By [Signature]
 Agent for
 American Selco Inc.

STATE OF NEVADA)
) ss.
 COUNTY OF _____)

I hereby certify that the within instrument was filed and recorded at the request of: _____
 FILE NO. _____
 on _____
 at _____
 Docket _____ Page _____

RECORDS AT REQUEST OF
 American Selco, Inc.
 BOOK 85 PAGE 242
 80 AUG 22 11:28
 OFFICIAL RECORDS
 EUREKA COUNTY, NEVADA
 FILE NO. 75583
 Fee: \$ 3.00

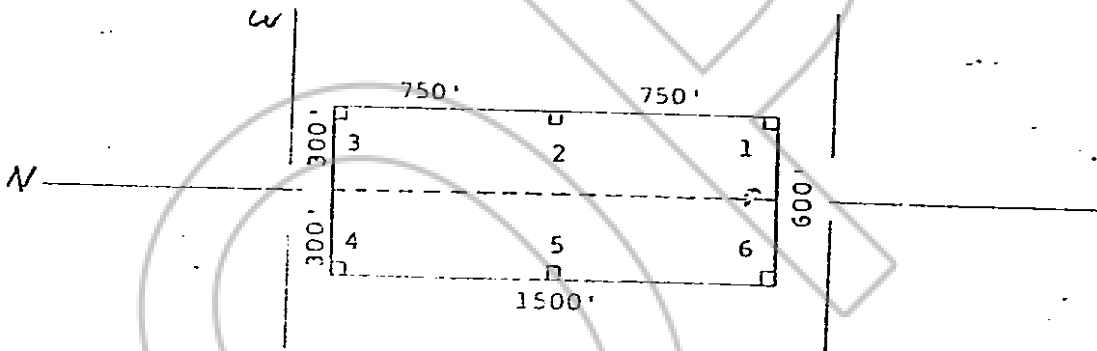
STATE OF NEVADA
CERTIFICATE OF MINING LOCATION
LODE CLAIM ON PUBLIC DOMAIN

75584

NOTICE IS HEREBY GIVEN that the Twin No. 56 lode mining claim has been located by AMERICAN SELCO INC. a New York corporation, whose address is 99 West Grove Street, Suite 100, Reno, Nevada 89509. The general course of this claim is North/South. This claim is 1500 feet in length along the course of the claim, being 1490 feet from the point of discovery in a North direction to the North end line of this claim, and 10 feet in a South direction to the South end line of the claim. This claim is 600 feet in width, being 300 feet in width on each side of the center line of the claim.

This claim is located within the NE Quarter of Section 31, Township 19 North, Range 50 East, Mount Diablo Base and Meridian, unknown Mining District, Eureka County, Nevada. The location monument of this claim is situated with reference to some natural object or permanent monument as follows: Corner no. 1 of this claim is located approximately 9100 feet N 60° E from the located SW corner section 36 T19N R49E MDM.

The corners of this claim are marked by 4"x4" posts or 4" trees with metal tags inscribed with the appropriate corner number as shown on the following sketch and the accompanying claim map.



The location work consisted of making the maps as provided in NRS 517.040.

Dated and posted on the ground this 28 day of May, 19 80)

Witnesses:

Locator:

AMERICAN SELCO INC.

By [Signature]
Agent for
American Selco Inc.

STATE OF NEVADA)
) ss.
COUNTY OF _____)

I hereby certify that the within instrument was filed and recorded at the request of: _____
FILE NO. _____
on _____
at _____
Docket _____ page _____

FINANCIAL RECORDS
EUREKA COUNTY, NEVADA
WILLIAM DENHOLLER, CLERK
FILE NO. 75584
FAS: 3.02

80 AUG 22 11:28

RECORDED AT REQUEST OF
American Selco Inc.
BOOK 85 PAGE 243

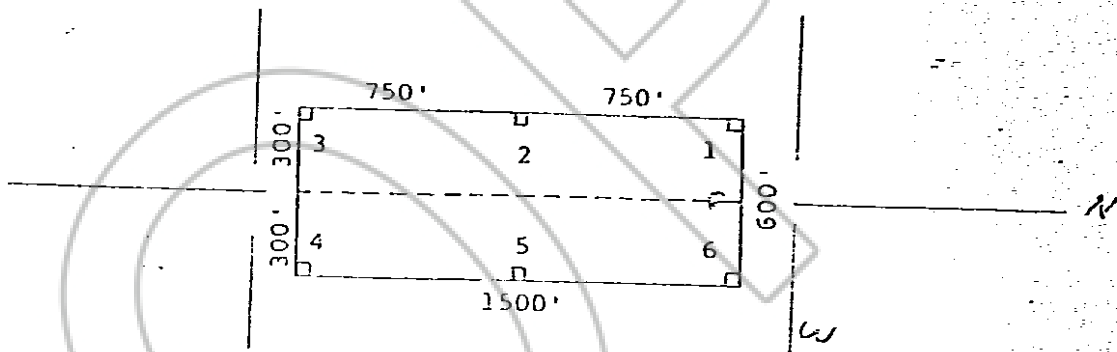
75585

STATE OF NEVADA
 CERTIFICATE OF MINING LOCATION
 LODE CLAIM ON PUBLIC DOMAIN

NOTICE IS HEREBY GIVEN that the Twin No. 57 lode mining claim has been located by AMERICAN SELCO INC. a New York corporation, whose address is 99 West Grove Street, Suite 100, Reno, Nevada 89509. The general course of this claim is North/South. This claim is 1500 feet in length along the course of the claim, being 10 feet from the point of discovery in a North direction to the North end line of this claim, and 1490 feet in a South direction to the South end line of the claim. This claim is 600 feet in width, being 300 feet in width on each side of the center line of the claim.

This claim is located within the SW Quarter of Section 25, Township 19 North, Range 49 East, Mount Diablo Base and Meridian, unknown Mining District, Eureka County, Nevada. The location monument of this claim is situated with reference to some natural object or permanent monument as follows: Corner no. 1 of this claim is located approximately 700 feet N 5° E from the located SW corner section 36 T19N R49E MDM

The corners of this claim are marked by 4"x4" posts or 4" trees with metal tags inscribed with the appropriate corner number as shown on the following sketch and the accompanying claim map.



The location work consisted of making the maps as provided in NRS 517.040.

Dated and posted on the ground this 27 day of May, 19 80)

Witnesses:

Locator:

AMERICAN SELCO INC.

By [Signature]
 Agent for
 American Selco Inc.

STATE OF NEVADA)
) ss.
 COUNTY OF _____)

I hereby certify that the within instrument was filed and recorded at the request of: _____
 FILE NO. _____
 on _____
 at _____
 Docket _____ page _____

RECORDS AT REQUEST OF
 American Selco Inc.
 BOOK 85 PAGE 244
 80 AUG 22 AM 11:28
 OFFICE RECORDS
 EUREKA COUNTY NEVADA
 WILL FILE IN PUBLIC DOMAIN
 FILE NO. 75585
 Fee \$ 3.00

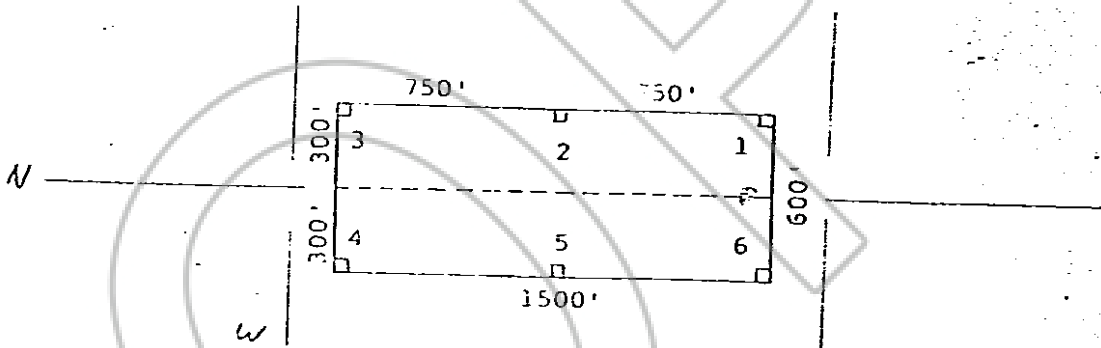
75586

STATE OF NEVADA
CERTIFICATE OF MINING LOCATION
LODE CLAIM ON PUBLIC DOMAIN

NOTICE IS HEREBY GIVEN that the Twin No. 58 lode mining claim has been located by AMERICAN SELCO INC. a New York corporation, whose address is 99 West Grove Street, Suite 100, Reno, Nevada 89509. The general course of this claim is North/South. This claim is 1500 feet in length along the course of the claim, being 1490 feet from the point of discovery in a North direction to the North end line of this claim, and 10 feet in a South direction to the South end line of the claim. This claim is 600 feet in width, being 300 feet in width on each side of the center line of the claim.

This claim is located within the SW Quarter of Section 25, Township 19 North, Range 49 East, Mount Diablo Base and Meridian, unknown Mining District, Eureka County, Nevada. The location monument of this claim is situated with reference to some natural object or permanent monument as follows: Corner no. 1 of this claim is located approximately 7000 feet N 5° E from the located SW corner section 36 T19N R49E MDM

The corners of this claim are marked by 4"x4" posts or 4" trees with metal tags inscribed with the appropriate corner number as shown on the following sketch and the accompanying claim map.



The location work consisted of making the maps as provided in NRS 517.040.

Dated and posted on the ground this 29 day of May, 19 80)

Witnesses:

Locator:

AMERICAN SELCO INC.

Agent for
American Selco Inc.

STATE OF NEVADA)
) ss.
COUNTY OF)

I hereby certify that the within instrument was filed and recorded at the request of: _____
FILE NO. _____
on _____
at _____
Docket _____ Page _____

FILED
EUREKA COUNTY NEVADA
WILLIS A. DEWITT - RECORDER
FILED 75586
Fees 3.00

80 AUG 22 11:28

RECORDED AT REQUEST OF
American Selco Inc.
BOOK 85 PAGE 245

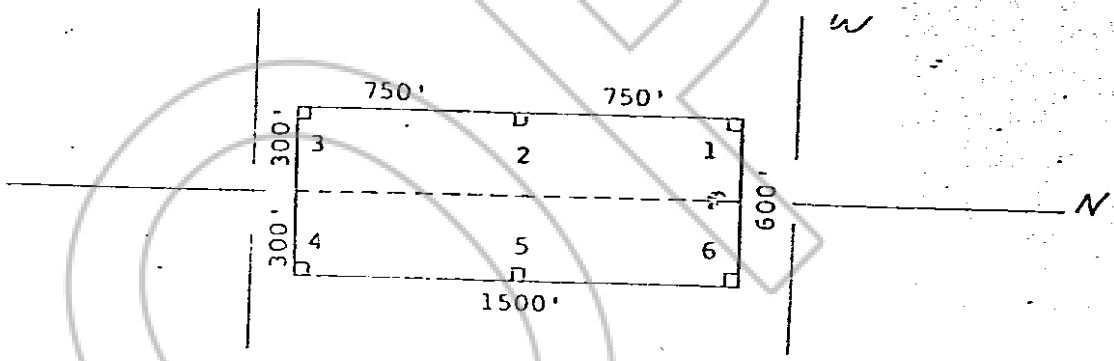
75587

STATE OF NEVADA
CERTIFICATE OF MINING LOCATION
LODE CLAIM ON PUBLIC DOMAIN

NOTICE IS HEREBY GIVEN that the Twin No. 59
lode mining claim has been located by AMERICAN SELCO INC.
a New York corporation, whose address is 90 West Grove Street,
Suite 100, Reno, Nevada 89509. The general course of this claim
is North/South. This claim is 1500 feet in length
along the course of the claim, being 10 feet from the point
of discovery in a North direction to the North end
line of this claim, and 1490 feet in a South
direction to the South end line of the claim. This claim is
600 feet in width, being 300 feet in width on each side of the
center line of the claim.

This claim is located within the SW Quarter
of Section 25, Township 19 North, Range 29
East, Mount Diablo Base and Meridian, unknown Mining District,
Eureka County, Nevada. The location monument of this claim is
situated with reference to some natural object or permanent monument
as follows: Corner no. 1 of this claim is located approximately 760
feet N 5° E from the located SW corner section 36 T19N R49E MDM

The corners of this claim are marked by 4"x4" posts or 4" trees
with metal tags inscribed with the appropriate corner number as
shown on the following sketch and the accompanying claim map.



The location work consisted of making the maps as provided in
NRS 517.040.

Dated and posted on the ground this 27 day of May,
19 80)

Witnesses:

Locator:

AMERICAN SELCO INC.

By [Signature]
Agent for
American Selco Inc.

STATE OF NEVADA)
) ss.
COUNTY OF _____)

I hereby certify that the within
instrument was filed and recorded at
the request of: _____
FILE NO. _____
on _____
at _____
Docket _____ Page _____

OPTIONAL RECORDS
EUREKA COUNTY NEVADA
WILLIS A. H. PARKER, CLERK
FILED NO. 270587
FEE \$ 3.00
80 AUG 22 11:28
RECORDED AT REQUEST OF
American Selco Inc.
BOOK 85 PAGE 246

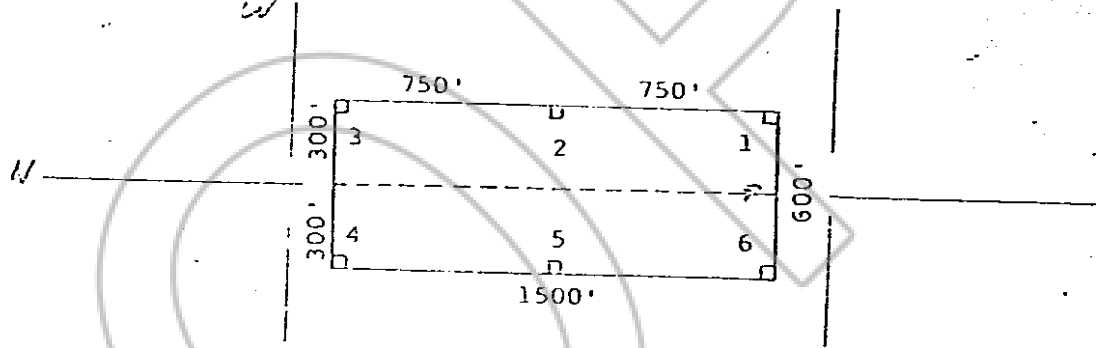
75588

STATE OF NEVADA
CERTIFICATE OF MINING LOCATION
LODE CLAIM ON PUBLIC DOMAIN

NOTICE IS HEREBY GIVEN that the Twin No. 60 lode mining claim has been located by AMERICAN SELCO INC. a New York corporation, whose address is 99 West Grove Street, Suite 100, Reno, Nevada 89509. The general course of this claim is North/South. This claim is 1500 feet in length along the course of the claim, being 1490 feet from the point of discovery in a North direction to the North end line of this claim, and 10 feet in a South direction to the South end line of the claim. This claim is 600 feet in width, being 300 feet in width on each side of the center line of the claim.

This claim is located within the SW Quarter of Section 25, Township 19 North, Range 49 East, Mount Diablo Base and Meridian, unknown Mining District, Eureka County, Nevada. The location monument of this claim is situated with reference to some natural object or permanent monument as follows: Corner no. 1 of this claim is located approximately 7600 feet N 5° E from the located SW corner section 36 T19N R49E MDM

The corners of this claim are marked by 4"x4" posts or 4" trees with metal tags inscribed with the appropriate corner number as shown on the following sketch and the accompanying claim map.



The location work consisted of making the maps as provided in NRS 517.040.

Dated and posted on the ground this 27 day of May 19 80

Witnesses:

Locator:

AMERICAN SELCO INC.

By [Signature]
Agent for

American Selco Inc.

STATE OF NEVADA)
) ss.
COUNTY OF _____)

I hereby certify that the within instrument was filed and recorded at the request of: _____
FILE NO. _____
on _____
at _____
Docket _____ page _____

OFFICIAL RECORDS
EUREKA COUNTY, NEVADA
WILLIS A. HARRIS, RECORDER
FILE NO. 75588
Fees \$ 3.00

80 AUG 22 11:29

RECORDED AT REQUEST OF
American Selco Inc.
BOOK 85 PAGE 247

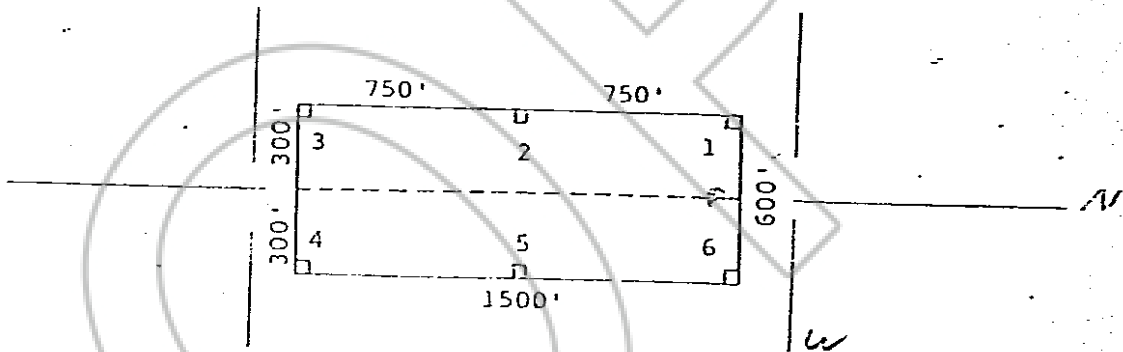
75589

STATE OF NEVADA
CERTIFICATE OF MINING LOCATION
LODE CLAIM ON PUBLIC DOMAIN

NOTICE IS HEREBY GIVEN that the Twin No. 61 lode mining claim has been located by AMERICAN SELCO INC. a New York corporation, whose address is 99 West Grove Street, Suite 100, Reno, Nevada 89509. The general course of this claim is North/South. This claim is 1500 feet in length along the course of the claim, being 10 feet from the point of discovery in a North direction to the North end line of this claim, and 1490 feet in a South direction to the South end line of the claim. This claim is 600 feet in width, being 300 feet in width on each side of the center line of the claim.

This claim is located within the SW Quarter of Section 25, Township 19 North, Range 49 East, Mount Diablo Base and Meridian, unknown Mining District, Eureka County, Nevada. The location monument of this claim is situated with reference to some natural object or permanent monument as follows: Corner no. 1 of this claim is located approximately 7800 feet N 13° E from the located SW corner section 36 T19N R49E MDM

The corners of this claim are marked by 4"x4" posts or 4" trees with metal tags inscribed with the appropriate corner number as shown on the following sketch and the accompanying claim map.



The location work consisted of making the maps as provided in NRS 517.040.

Dated and posted on the ground this 27 day of May, 19 80)

Witnesses:

Locator:

AMERICAN SELCO INC.

By [Signature]
Agent for

American Selco Inc.

STATE OF NEVADA)
) ss.
COUNTY OF _____)

I hereby certify that the within instrument was filed and recorded at the request of: _____
FILE NO. _____
on _____
at _____
Docket _____ page _____

OFFICIAL RECORDS
EUREKA COUNTY, NEVADA
JULIE A. DEBRA, CLERK
FILE NO. 75589
FILE \$ 3.00

80 AUG 22 11:29

RECORDED AT REQUEST OF
American Selco Inc.
BOOK 85 PAGE 248

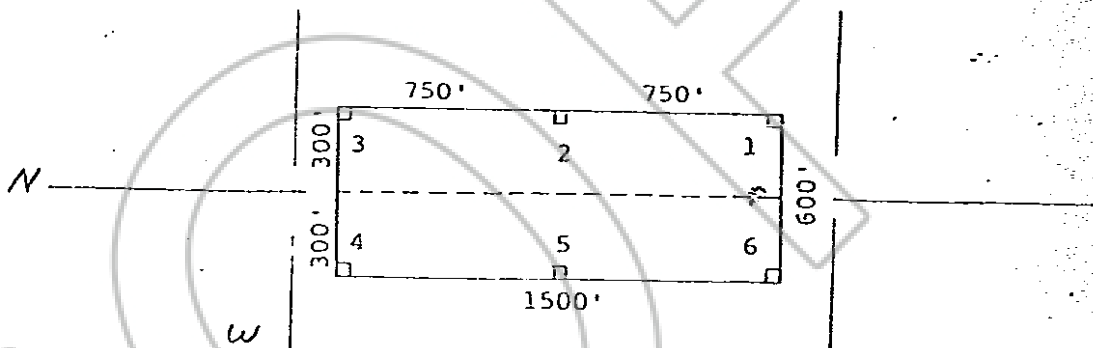
75590

STATE OF NEVADA
CERTIFICATE OF MINING LOCATION
LODE CLAIM ON PUBLIC DOMAIN

NOTICE IS HEREBY GIVEN that the Twin No. 62 lode mining claim has been located by AMERICAN SELCO INC. a New York corporation, whose address is 99 West Grove Street, Suite 100, Reno, Nevada 89509. The general course of this claim is North/South. This claim is 1500 feet in length along the course of the claim, being 1490 feet from the point of discovery in a North direction to the North end line of this claim, and 10 feet in a South direction to the South end line of the claim. This claim is 600 feet in width, being 300 feet in width on each side of the center line of the claim.

This claim is located within the SW Quarter of Section 25, Township 19 North, Range 49 East, Mount Diablo Base and Meridian, unknown Mining District, Eureka County, Nevada. The location monument of this claim is situated with reference to some natural object or permanent monument as follows: Corner no. 1 of this claim is located approximately 7800 feet N 13° E from the located SW corner section 36 T19N R49E MDM

The corners of this claim are marked by 4"x4" posts or 4" trees with metal tags inscribed with the appropriate corner number as shown on the following sketch and the accompanying claim map.



The location work consisted of making the maps as provided in NRS 517.040.

Dated and posted on the ground this 29 day of May, 19 80)

Witnesses:

Locator:

AMERICAN SELCO INC.

By [Signature]
Agent for
American Selco Inc.

STATE OF NEVADA)
) ss.
COUNTY OF _____)

I hereby certify that the within instrument was filed and recorded at the request of: _____
FILE NO. _____
on _____
at _____
Docket _____ page _____

OFFICE RECORDS
EUREKA COUNTY NEVADA
WILLIS A. O'NEILL-RECORDER
FILED 75590
FEE \$ 3.00

80 AUG 22 AM 1:29

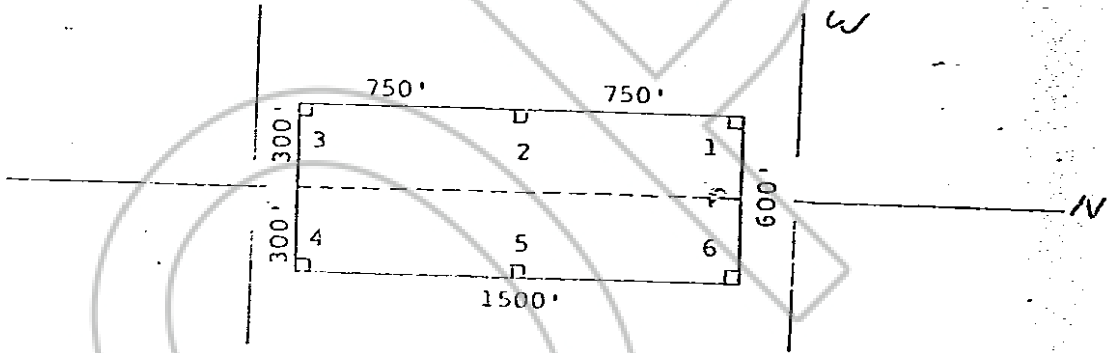
RECORDED AT REQUEST OF
American Selco Inc.
BOOK 85 PAGE 249

STATE OF NEVADA
CERTIFICATE OF MINING LOCATION
LODE CLAIM ON PUBLIC DOMAIN

NOTICE IS HEREBY GIVEN that the Twin No. 63 lode mining claim has been located by AMERICAN SELCO INC. a New York corporation, whose address is 99 West Grove Street, Suite 100, Reno, Nevada 89509. The general course of this claim is North/South. This claim is 1500 feet in length along the course of the claim, being 10 feet from the point of discovery in a North direction to the North end line of this claim, and 1490 feet in a South direction to the South end line of the claim. This claim is 600 feet in width, being 300 feet in width on each side of the center line of the claim.

This claim is located within the SW Quarter of Section 25, Township 19 North, Range 49 East, Mount Diablo Base and Meridian, unknown Mining District, Eureka County, Nevada. The location monument of this claim is situated with reference to some natural object or permanent monument as follows: Corner no. 1 of this claim is located approximately 750 feet N 13° E from the located SW corner section 36 T19N R49E MDM

The corners of this claim are marked by 4"x4" posts or 4" trees with metal tags inscribed with the appropriate corner number as shown on the following sketch and the accompanying claim map.



The location work consisted of making the maps as provided in NRS 517.040.

Dated and posted on the ground this 22 day of May, 19 80

Witnesses:

Locator:

AMERICAN SELCO INC.

By [Signature]
Agent for
American Selco Inc.

STATE OF NEVADA)
) ss.
COUNTY OF _____)

I hereby certify that the within instrument was filed and recorded at the request of: _____
FILE NO. _____
on _____
at _____
Docket _____ Page _____

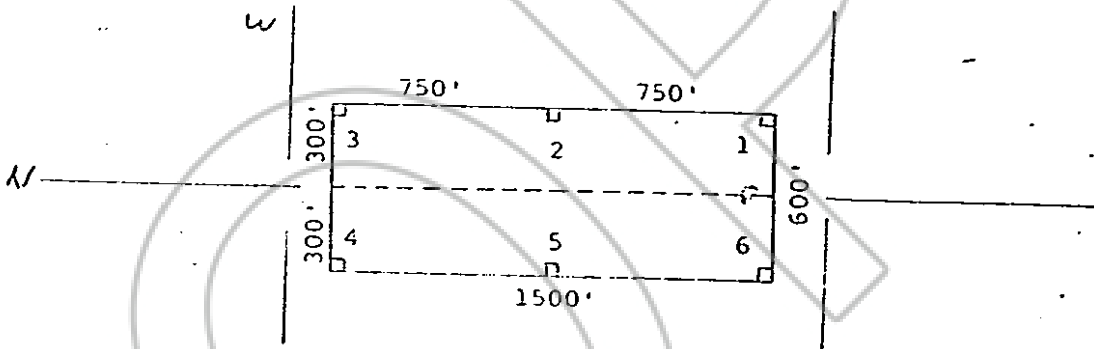
OFFICIAL RECORDS
EUREKA COUNTY NEVADA
WILLIAM H. PROFFER, CLERK
FILE NO. 75591
FORM 302
80 AUG 22 11:29
RECORDED AT REQUEST OF
American Selco Inc.
BOOK 85 PAGE 252

STATE OF NEVADA
CERTIFICATE OF MINING LOCATION
LODE CLAIM ON PUBLIC DOMAIN

NOTICE IS HEREBY GIVEN that the Twin No. 64 lode mining claim has been located by AMERICAN SELCO INC. a New York corporation, whose address is 90 West Grove Street, Suite 100, Reno, Nevada 89509. The general course of this claim is North/South. This claim is 1500 feet in length along the course of the claim, being 1490 feet from the point of discovery in a North direction to the North end line of this claim, and 10 feet in a South direction to the South end line of the claim. This claim is 600 feet in width, being 300 feet in width on each side of the center line of the claim.

This claim is located within the SW Quarter of Section 25, Township 19 North, Range 49 East, Mount Diablo Base and Meridian, unknown Mining District, Eureka County, Nevada. The location monument of this claim is situated with reference to some natural object or permanent monument as follows: Corner no. 1 of this claim is located approximately 78 00 feet N 13 °E from the located SW corner section 36 T19N R49E MDM

The corners of this claim are marked by 4"x4" posts or 4" trees with metal tags inscribed with the appropriate corner number as shown on the following sketch and the accompanying claim map.



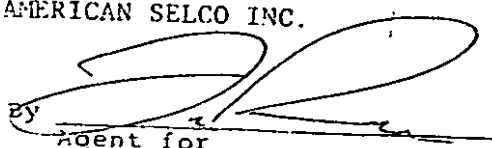
The location work consisted of making the maps as provided in NRS 517.040.

Dated and posted on the ground this 29 day of May, 19 80

Witnesses:

Locator:

AMERICAN SELCO INC.

by  Agent for
American Selco Inc.

STATE OF NEVADA)
) ss.
COUNTY OF _____)

I hereby certify that the within instrument was filed and recorded at the request of: _____ FILE NO. _____ on _____ at _____ Docket _____ page _____

OFFICIAL RECORDS
EUREKA COUNTY, NEVADA
INDEXED & QUALIFIED FOR COPIES
File No. 75592
Fee \$ 3.00

80 AUG 22 A 11 : 29

RECORDED AT REQUEST OF
American Selco Inc.
BOOK 85 PAGE 257

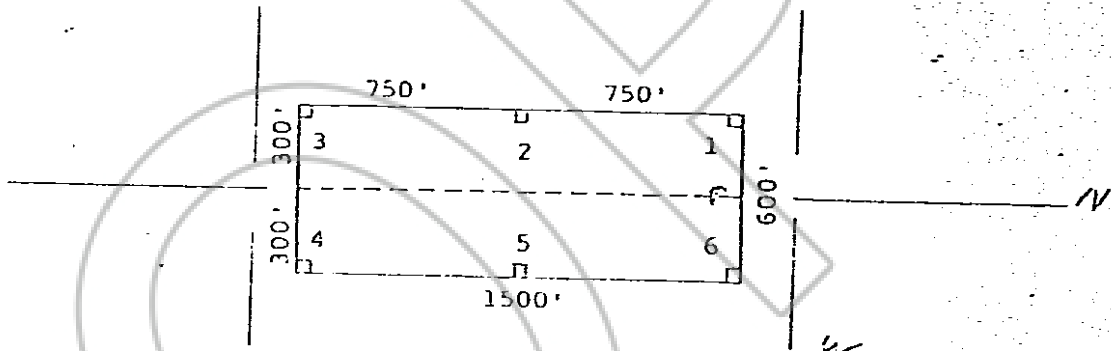
STATE OF NEVADA
 CERTIFICATE OF MINING LOCATION
 LODE CLAIM OR PUBLIC DOMAIN

75593

NOTICE IS HEREBY GIVEN that the Twin No. 65 lode mining claim has been located by AMERICAN SELCO INC. a New York corporation, whose address is 99 West Grove Street, Suite 100, Reno, Nevada 89509. The general course of this claim is North/South. This claim is 1500 feet in length along the course of the claim, being 10 feet from the point of discovery in a North direction to the North end line of this claim, and 1490 feet in a South direction to the South end line of the claim. This claim is 600 feet in width, being 300 feet in width on each side of the center line of the claim.

This claim is located within the SE Quarter of Section 25, Township 19 North, Range 49 East, Mount Diablo Base and Meridian, unknown Mining District, Eureka County, Nevada. The location monument of this claim is situated with reference to some natural object or permanent monument as follows: Corner no. 1 of this claim is located approximately 6200 feet N 22° E from the located SW corner section 36 T19N R49E MDM

The corners of this claim are marked by 4"x4" posts or 4" trees with metal tags inscribed with the appropriate corner number as shown on the following sketch and the accompanying claim map.



The location work consisted of making the maps as provided in NRS 517.040.

Dated and posted on the ground this 27 day of May, 19 80)

Witnesses:

Locator:

AMERICAN SELCO INC.

By [Signature]
 Agent for
 American Selco Inc.

STATE OF NEVADA)
) ss.
 COUNTY OF _____)

I hereby certify that the within instrument was filed and recorded at the request of: _____
 FILE NO. _____
 on _____
 at _____
 Docket _____ Page _____

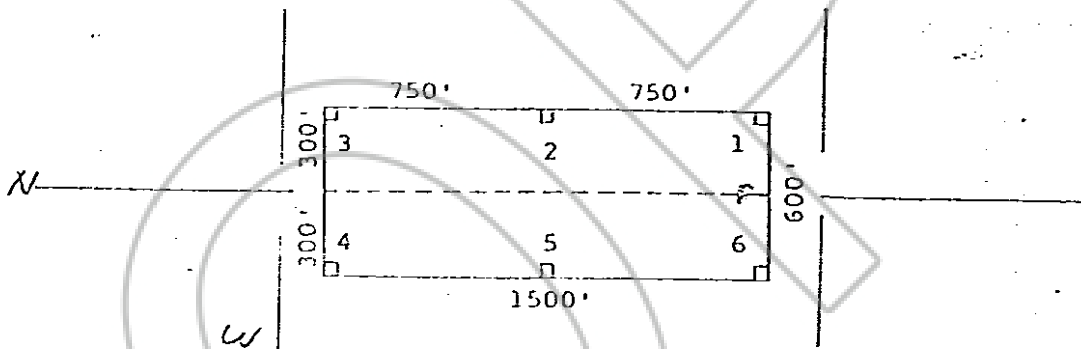
RECORDED AT REQUEST OF
 American Selco Inc.
 BOOK 85 PAGE 252
 80 AUG 22 AM 11:29
 OFFICIAL PUBLIC RECORDS
 EUREKA COUNTY NEVADA
 FILED IN 75593
 FEE \$ 3.00

STATE OF NEVADA
CERTIFICATE OF MINING LOCATION
LODE CLAIM ON PUBLIC DOMAIN

NOTICE IS HEREBY GIVEN that the Twin No. 66 lode mining claim has been located by AMERICAN SELCO INC. a New York corporation, whose address is 99 West Grove Street, Suite 100, Reno, Nevada 89509. The general course of this claim is North/South. This claim is 1500 feet in length along the course of the claim, being 1490 feet from the point of discovery in a North direction to the North end line of this claim, and 10 feet in a South direction to the South end line of the claim. This claim is 600 feet in width, being 300 feet in width on each side of the center line of the claim.

This claim is located within the SE Quarter of Section 25, Township 19 North, Range 49 East, Mount Diablo Base and Meridian, unknown Mining District, Eureka County, Nevada. The location monument of this claim is situated with reference to some natural object or permanent monument as follows: Corner no. 1 of this claim is located approximately 8200 feet N 27° E from the located SW corner section 36 T19N R49E MDM

The corners of this claim are marked by 4"x4" posts or 4" trees with metal tags inscribed with the appropriate corner number as shown on the following sketch and the accompanying claim map.



The location work consisted of making the maps as provided in NRS 517.040.

Dated and posted on the ground this 27 day of May, 19 80)

Witnesses:

Locator:

AMERICAN SELCO INC.

By [Signature]
Agent for
American Selco Inc.

STATE OF NEVADA)
) ss.
COUNTY OF _____)

I hereby certify that the within instrument was filed and recorded at the request of: _____
FILE NO. _____
on _____
at _____
Docket _____ Page _____

OFFICIAL RECORDS
SERRA COUNTY, NEVADA
WILLIAM DEPAUL RECORDER
FILE NO. 155594
FOLIO 300

80 JUN 22 11:29

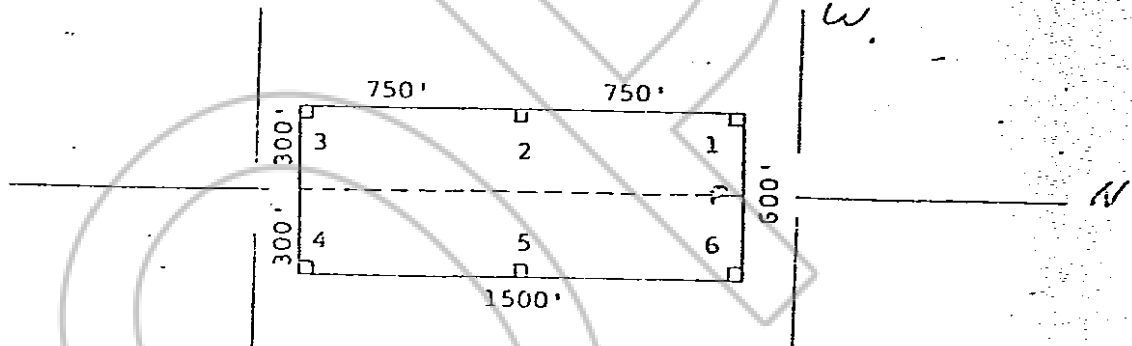
RECORDED AT REQUEST OF
American Selco Inc.
BOOK 85 PAGE 253

STATE OF NEVADA
CERTIFICATE OF MINING LOCATION
LODE CLAIM ON PUBLIC DOMAIN

NOTICE IS HEREBY GIVEN that the Twin No. 67 lode mining claim has been located by AMERICAN SELCO INC. a New York corporation, whose address is 90 West Grove Street, Suite 100, Reno, Nevada 89509. The general course of this claim is North/South. This claim is 1500 feet in length along the course of the claim, being 10 feet from the point of discovery in a North direction to the North end line of this claim, and 1490 feet in a South direction to the South end line of the claim. This claim is 600 feet in width, being 300 feet in width on each side of the center line of the claim.

This claim is located within the SE Quarter of Section 25, Township 19 North, Range 29 East, Mount Diablo Base and Meridian, unknown Mining District, Eureka County, Nevada. The location monument of this claim is situated with reference to some natural object or permanent monument as follows: Corner no. 1 of this claim is located approximately 8200 feet N 22° E from the located SW corner section 36 T19N R49E MDM

The corners of this claim are marked by 4"x4" posts or 4" trees with metal tags inscribed with the appropriate corner number as shown on the following sketch and the accompanying claim-map.



The location work consisted of making the maps as provided in NRS 517.040.

Dated and posted on the ground this 27 day of May, 19 80

Witnesses:

Locator:

AMERICAN SELCO INC.

By [Signature]
Agent for
American Selco Inc.

STATE OF NEVADA)
) ss.
COUNTY OF _____)

I hereby certify that the within instrument was filed and recorded at the request of: _____
FILE NO. _____
on _____
at _____
Docket _____ Page _____

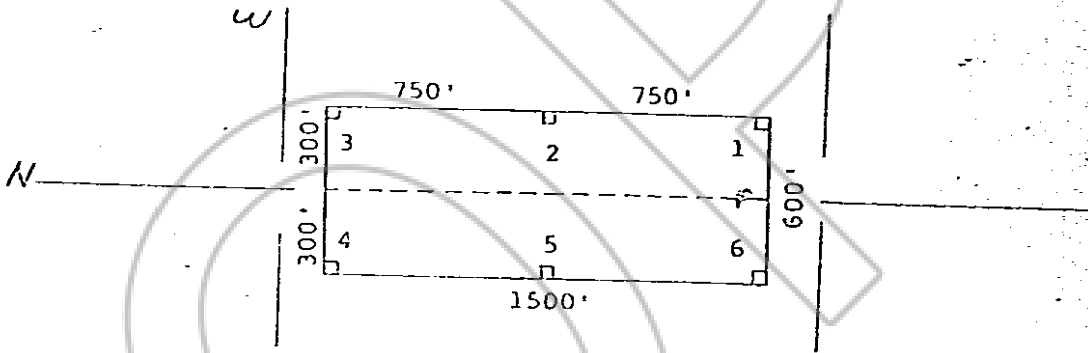
RECORDED AT REQUEST OF
American Selco Inc.
BOOK 85 PAGE 254
80 AUG 22 AM 11:29
OFFICE RECORDS
EUREKA COUNTY NEVADA
WILLIS A. BEAULIEU, Recorder
FILE NO. 300
REC. # 300

STATE OF NEVADA
CERTIFICATE OF MINING LOCATION
LODE CLAIM ON PUBLIC DOMAIN

NOTICE IS HEREBY GIVEN that the Twin No. 68 lode mining claim has been located by AMERICAN SELCO INC. a New York corporation, whose address is 99 West Grove Street, Suite 100, Reno, Nevada 89509. The general course of this claim is North/South. This claim is 1500 feet in length along the course of the claim, being 1490 feet from the point of discovery in a North direction to the North end line of this claim, and 10 feet in a South direction to the South end line of the claim. This claim is 600 feet in width, being 300 feet in width on each side of the center line of the claim.

This claim is located within the SE Quarter of Section 25, Township 19 North, Range 49 East, Mount Diablo Base and Meridian, unknown Mining District, Eureka County, Nevada. The location monument of this claim is situated with reference to some natural object or permanent monument as follows: Corner no. 1 of this claim is located approximately 8200 feet N 27° E from the located SW corner section 36 T19N R49E MDM

The corners of this claim are marked by 4"x4" posts or 4" trees with metal tags inscribed with the appropriate corner number as shown on the following sketch and the accompanying claim map.



The location work consisted of making the maps as provided in NRS 517.040.

Dated and posted on the ground this 27 day of May, 19 80

Witnesses:

Locator:

AMERICAN SELCO INC.

By [Signature]
Agent for
American Selco Inc.

STATE OF NEVADA)
) ss.
COUNTY OF _____)

I hereby certify that the within instrument was filed and recorded at the request of: _____
FILE NO. _____
on _____
at _____
Docket _____ Page _____

OFFICIAL RECORDS
EUREKA COUNTY, NEVADA
WILSON DEPAUL REGISTER
FILE NO. 75596
Fees \$ 3.00

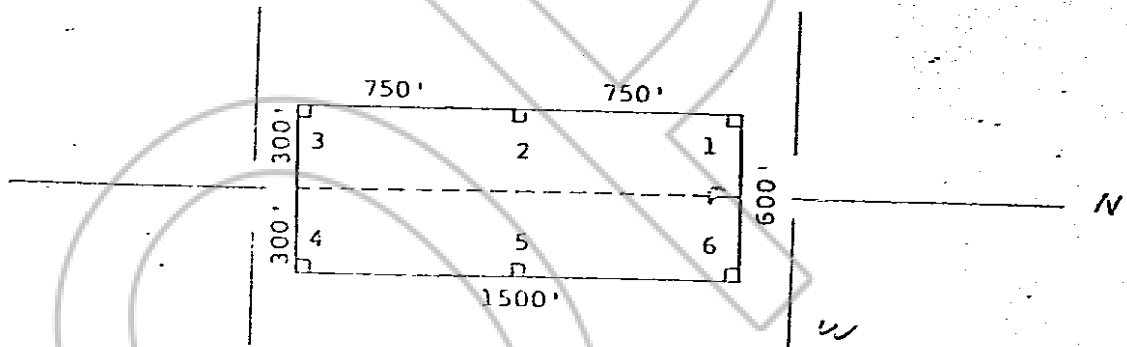
80 AUG 22 11:29

RECORDED AT REQUEST OF
American Selco Inc.
BOOK 85 PAGE 255

NOTICE IS HEREBY GIVEN that the Twin No. 69 lode mining claim has been located by AMERICAN SELCO INC. a New York corporation, whose address is 90 West Grove Street, Suite 100, Reno, Nevada 89509. The general course of this claim is North/South. This claim is 1500 feet in length along the course of the claim, being 10 feet from the point of discovery in a North direction to the North end line of this claim, and 1790 feet in a South direction to the South end line of the claim. This claim is 600 feet in width, being 300 feet in width on each side of the center line of the claim.

This claim is located within the SE Quarter of Section 25, Township 19 North, Range 49 East, Mount Diablo Base and Meridian, unknown Mining District, Eureka County, Nevada. The location monument of this claim is situated with reference to some natural object or permanent monument as follows: Corner no. 1 of this claim is located approximately 8700 feet N 19° E from the located SW corner section 36 T19N R49E MDM

The corners of this claim are marked by 4"x4" posts or 4" trees with metal tags inscribed with the appropriate corner number as shown on the following sketch and the accompanying claim map.



The location work consisted of making the maps as provided in NRS 517.040.

Dated and posted on the ground this 27 day of May, 19 80)

Witnesses:

Locator:

AMERICAN SELCO INC.

By [Signature]
Agent for
American Selco Inc.

STATE OF NEVADA)
) ss.
COUNTY OF _____)

I hereby certify that the within instrument was filed and recorded at the request of: _____
FILE NO. _____
on _____
at _____
Docket _____ Page _____

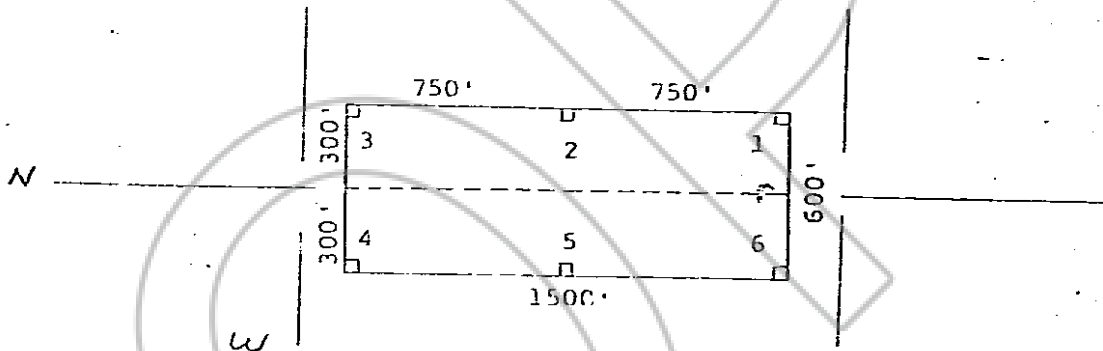
OFFICIAL RECORDS
EUREKA COUNTY, NEVADA
With a Declaration of Record
File No. 75597
Fee \$ 3.00
80 AUG 22 11:29
RECORDED AT REQUEST OF
American Selco Inc.
Book 85 PAGE 256

STATE OF NEVADA
CERTIFICATE OF MINING LOCATION
LODE CLAIM OR PUBLIC DOMAIN

NOTICE IS HEREBY GIVEN that the Twin No. 70 lode mining claim has been located by AMERICAN SELCO INC. a New York corporation, whose address is 99 West Grove Street, Suite 100, Reno, Nevada 89509. The general course of this claim is North/South. This claim is 1500 feet in length along the course of the claim, being 1490 feet from the point of discovery in a North direction to the North end line of this claim, and 10 feet in a South direction to the South end line of the claim. This claim is 600 feet in width, being 300 feet in width on each side of the center line of the claim.

This claim is located within the SE Quarter of Section 25, Township 19 North, Range 49 East, Mount Diablo Base and Meridian, unknown Mining District, Eureka County, Nevada. The location monument of this claim is situated with reference to some natural object or permanent monument as follows: Corner no. 1 of this claim is located approximately 6700 feet N 19° E from the located SW corner section 36 T19N R49E MDM

The corners of this claim are marked by 4"x4" posts or 4" trees with metal tags inscribed with the appropriate corner number as shown on the following sketch and the accompanying claim map.



The location work consisted of making the maps as provided in NRS 517.040.

Dated and posted on the ground this 29 day of May, 19 80)

Witnesses:

Locator:

AMERICAN SELCO INC.

By [Signature]
Agent for
American Selco Inc.

STATE OF NEVADA)
) ss.
COUNTY OF _____)

I hereby certify that the within instrument was filed and recorded at the request of: _____
FILE NO. _____
on _____
at _____
Docket _____ Page _____

OFFICIAL RECORDS
EUREKA COUNTY, NEVADA
WILLIS A. DUFFY, CLERK
FILE NO. 75598
FILED 30

80 AUG 22 AM 11:29

RECORDED AT REQUEST OF
American Selco Inc.
BOOK 85 PAGE 257

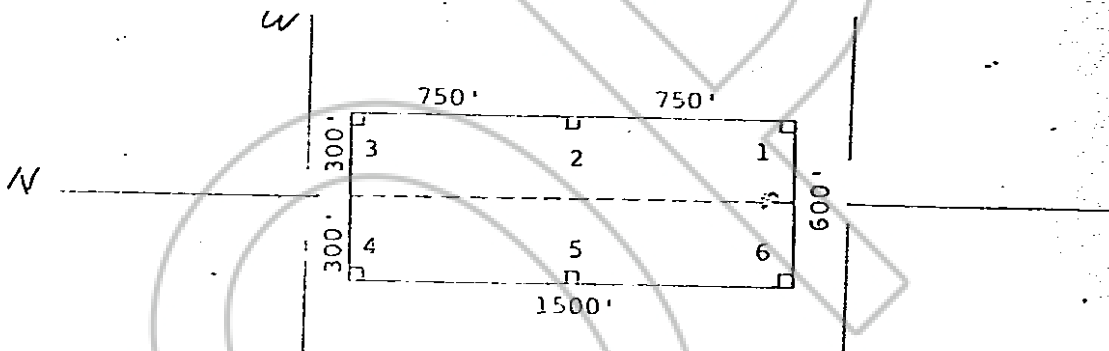
CERTIFICATE OF MINING LOCATION
LODE CLAIM ON PUBLIC DOMAIN

75600

NOTICE IS HEREBY GIVEN that the Twin No. 72 lode mining claim has been located by AMERICAN SELCO INC. a New York corporation, whose address is 90 West Grove Street, Suite 100, Reno, Nevada 89509. The general course of this claim is North/South. This claim is 1500 feet in length along the course of the claim, being 1790 feet from the point of discovery in a North direction to the North end line of this claim, and 10 feet in a South direction to the South end line of the claim. This claim is 600 feet in width, being 300 feet in width on each side of the center line of the claim.

This claim is located within the SE Quarter of Section 25, Township 19 North, Range 49 East, Mount Diablo Base and Meridian, unknown Mining District, Eureka County, Nevada. The location monument of this claim is situated with reference to some natural object or permanent monument as follows: Corner no. 1 of this claim is located approximately 8700 feet N 19° E from the located SW corner section 36 T19N R49E MDM

The corners of this claim are marked by 4"x4" posts or 4" trees with metal tags inscribed with the appropriate corner number as shown on the following sketch and the accompanying claim map.



The location work consisted of making the maps as provided in NRS 517.040.

Dated and posted on the ground this 27 day of May, 19 80

Witnesses:

Locator:

AMERICAN SELCO INC.

By [Signature]
Agent for
American Selco Inc.

STATE OF NEVADA)
) ss.
COUNTY OF _____)

I hereby certify that the within instrument was filed and recorded at the request of: _____
FILE NO. _____
on _____
at _____
Docket _____ Page _____

OFFICE OF RECORDS
CLERK, COUNTY OF NEVADA
WILLIS A. WILSON, JR.
FILED
FEB 16 1980
3:00 PM

80 AUG 22 11:29

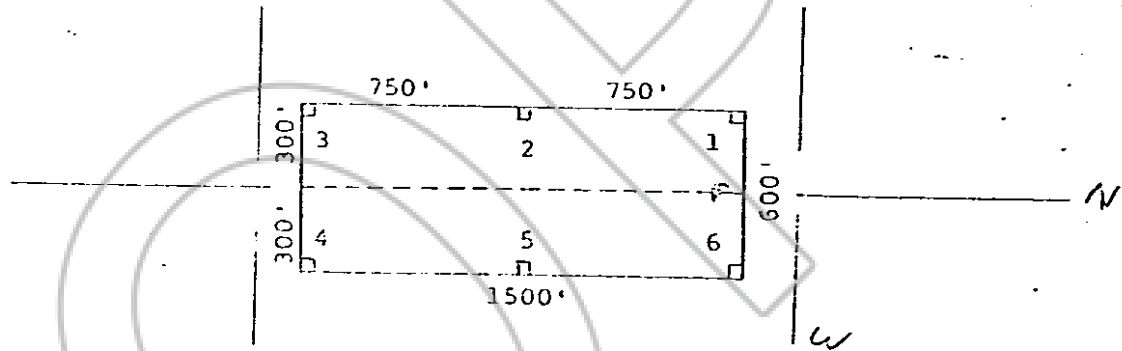
RECORDED AT REQUEST OF
American Selco Inc.
BOOK 85 PAGE 259

STATE OF NEVADA
CERTIFICATE OF MINING LOCATION
LODE CLAIM OR PUBLIC DOMAIN

NOTICE IS HEREBY GIVEN that the Twin No. 73 lode mining claim has been located by AMERICAN SELCO INC. a New York corporation, whose address is 99 West Grove Street, Suite 100, Reno, Nevada 89509. The general course of this claim is North/South. This claim is 1500 feet in length along the course of the claim, being 10 feet from the point of discovery in a North direction to the North end line of this claim, and 1790 feet in a South direction to the South end line of the claim. This claim is 600 feet in width, being 300 feet in width on each side of the center line of the claim.

This claim is located within the SE Quarter of Section 25, Township 19 North, Range 49 East, Mount Diablo Base and Meridian, unknown Mining District, Eureka County, Nevada. The location monument of this claim is situated with reference to some natural object or permanent monument as follows: Corner no. 1 of this claim is located approximately 9300 feet N 36° E from the located SW corner section 36 T19N R49E MDM

The corners of this claim are marked by 4"x4" posts or 4" trees with metal tags inscribed with the appropriate corner number as shown on the following sketch and the accompanying claim-map.



The location work consisted of making the maps as provided in NRS 517.040.

Dated and posted on the ground this 27 day of May, 19 80)

Witnesses:

Locator:
AMERICAN SELCO INC.
[Signature]
By _____
Agent for
American Selco Inc.

STATE OF NEVADA)
) ss.
COUNTY OF _____)

I hereby certify that the within instrument was filed and recorded at the request of: _____
FILE NO. _____
on _____
at _____
Docket _____ Page _____

RECORDED AT REQUEST OF
American Selco Inc.
BOOK 85 PAGE 260
80 AUG 22 All: 29
OFFICIAL RECORDS
EUREKA COUNTY NEVADA
WILLIS A. HARRIS
FILE NO. 75601
Fee \$ 3.00

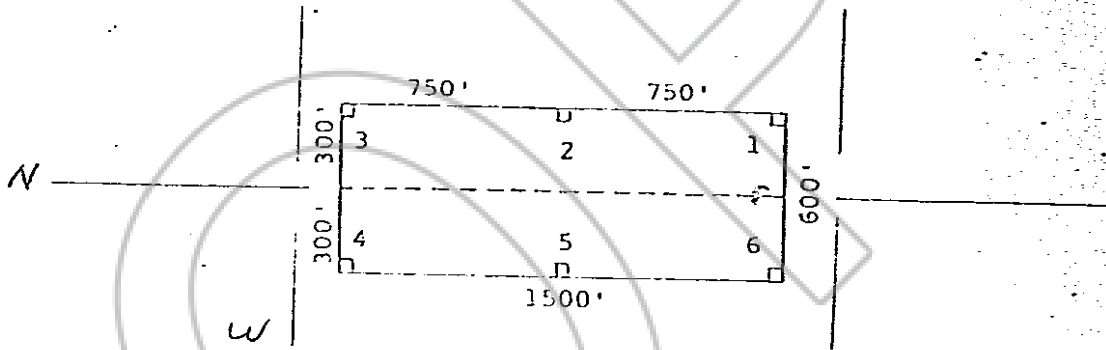
STATE OF NEVADA
 CERTIFICATE OF MINING LOCATION
 LOSE CLAIM OR PUBLIC DOMAIN

75602

NOTICE IS HEREBY GIVEN that the Twin No. 74 lode mining claim has been located by AMERICAN SELCO INC. a New York corporation, whose address is 99 West Grove Street, Suite 100, Reno, Nevada 89509. The general course of this claim is North/South. This claim is 1500 feet in length along the course of the claim, being 1490 feet from the point of discovery in a North direction to the North end line of this claim, and 10 feet in a South direction to the South end line of the claim. This claim is 600 feet in width, being 300 feet in width on each side of the center line of the claim.

This claim is located within the SE Quarter of Section 25, Township 19 North, Range 49 East, Mount Diablo Base and Meridian, unknown Mining District, Eureka County, Nevada. The location monument of this claim is situated with reference to some natural object or permanent monument as follows: Corner no. 1 of this claim is located approximately 7300 feet N 36° E from the located SW corner section 36 T19N R49E MDM

The corners of this claim are marked by 4"x4" posts or 4" trees with metal tags inscribed with the appropriate corner number as shown on the following sketch and the accompanying claim map.



The location work consisted of making the maps as provided in NRS 517.040.

Dated and posted on the ground this 27 day of May, 19 80)

Witnesses:

Locator:
 AMERICAN SELCO INC.
 By [Signature]
 Agent for
 American Selco Inc.

STATE OF NEVADA)
) ss.
 COUNTY OF _____)

I hereby certify that the within instrument was filed and recorded at the request of: _____
 FILE NO. _____
 on _____
 at _____
 Docket _____ Page _____

RECORDED AT REQUEST OF
 American Selco Inc.
 BOOK 85 PAGE 261
 00 AUG 22 11:29
 OFFICIAL RECORDS
 EUREKA COUNTY, NEVADA
 WILLIE B. DAVENPORT
 FILED
 Fee \$ 3.00

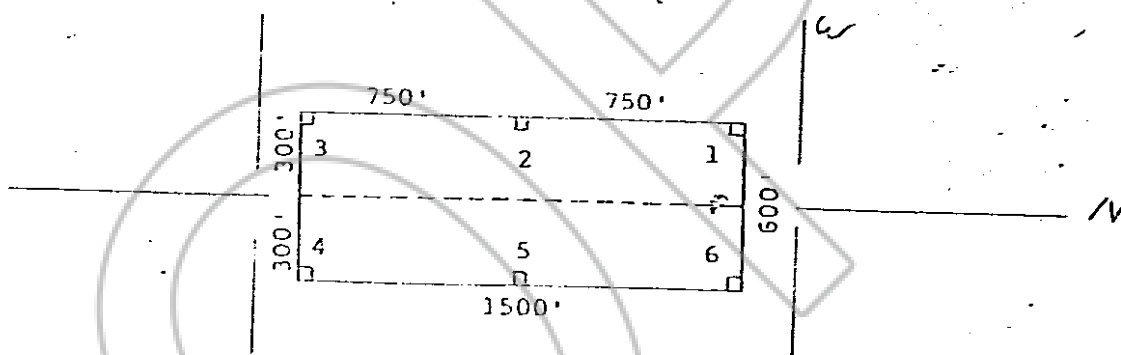
STATE OF NEVADA
 CERTIFICATE OF MINING LOCATION
 LOSE CLAIM ON PUBLIC DOMAIN

75603

NOTICE IS HEREBY GIVEN that the Twin No. 75 lode mining claim has been located by AMERICAN SELCO INC. a New York corporation, whose address is 90 West Grove Street, Suite 100, Reno, Nevada 89509. The general course of this claim is North/South. This claim is 1500 feet in length along the course of the claim, being 10 feet from the point of discovery in a North direction to the North end line of this claim, and 1790 feet in a South direction to the South end line of the claim. This claim is 600 feet in width, being 300 feet in width on each side of the center line of the claim.

This claim is located within the SW Quarter of Section 30, Township 19 North, Range 30 East, Mount Diablo Base and Meridian, unknown Mining District, Eureka County, Nevada. The location monument of this claim is situated with reference to some natural object or permanent monument as follows: Corner no. 1 of this claim is located approximately 9300 feet N 36° E from the located SW corner section 36 T19N R49E MDM

The corners of this claim are marked by 4"x4" posts or 4" trees with metal tags inscribed with the appropriate corner number as shown on the following sketch and the accompanying claim map.



The location work consisted of making the maps as provided in NRS 517.040.

Dated and posted on the ground this 28 day of May, 19 80)

Witnesses:

Locator:

AMERICAN SELCO INC.

By [Signature]
 Agent for
 American Selco Inc.

STATE OF NEVADA)
) ss.
 COUNTY OF _____)

I hereby certify that the within instrument was filed and recorded at the request of: _____
 FILE NO. _____
 on _____
 at _____
 Docket _____ Page _____

OFFICIAL RECORDS
 EUREKA COUNTY, NEVADA
 FILE NO. 75603
 Fee \$ 262

90 AUG 22 AM 11:30

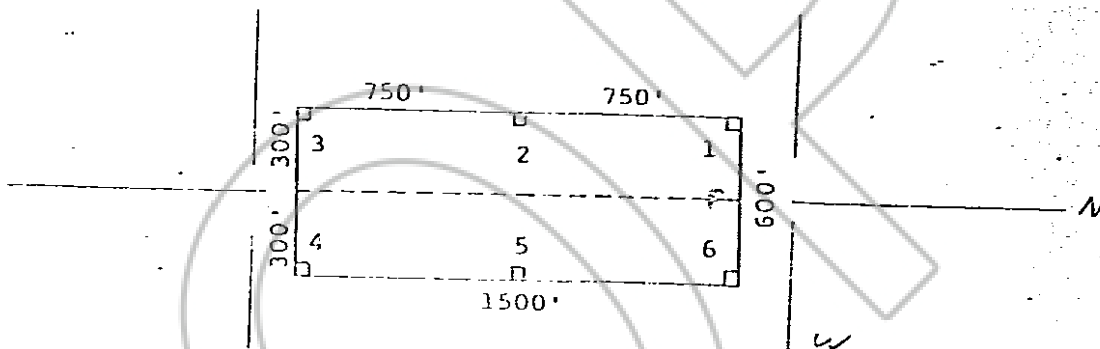
RECORDED AT REQUEST OF
 American Selco Inc.
 Book 85 PAGE 262

STATE OF NEVADA
CERTIFICATE OF MINING LOCATION
LODE CLAIM ON PUBLIC DOMAIN

NOTICE IS HEREBY GIVEN that the Twin No. 77 lode mining claim has been located by AMERICAN SELCO INC. a New York corporation, whose address is 99 West Grove Street, Suite 100, Reno, Nevada 89509. The general course of this claim is North/South. This claim is 1500 feet in length along the course of the claim, being 10 feet from the point of discovery in a North direction to the North end line of this claim, and 1490 feet in a South direction to the South end line of the claim. This claim is 600 feet in width, being 300 feet in width on each side of the center line of the claim.

This claim is located within the SW Quarter of Section 30, Township 19 North, Range 50 East, Mount Diablo Base and Meridian, unknown Mining District, Eureka County, Nevada. The location monument of this claim is situated with reference to some natural object or permanent monument as follows: Corner no. 1 of this claim is located approximately 10100 feet N 41° E from the located SW corner section 36 T19N R49E MDM

The corners of this claim are marked by 4"x4" posts or 4" trees with metal tags inscribed with the appropriate corner number as shown on the following sketch and the accompanying claim-map.



The location work consisted of making the maps as provided in NRS 517.040.

Dated and posted on the ground this 28 day of May, 19 80)

Witnesses:

Locator:

AMERICAN SELCO INC.

By [Signature]
Agent for
American Selco Inc.

STATE OF NEVADA)
) ss.
COUNTY OF _____)

I hereby certify that the within instrument was filed and recorded at the request of: _____
FILE NO. _____
on _____
at _____
Docket _____ Page _____

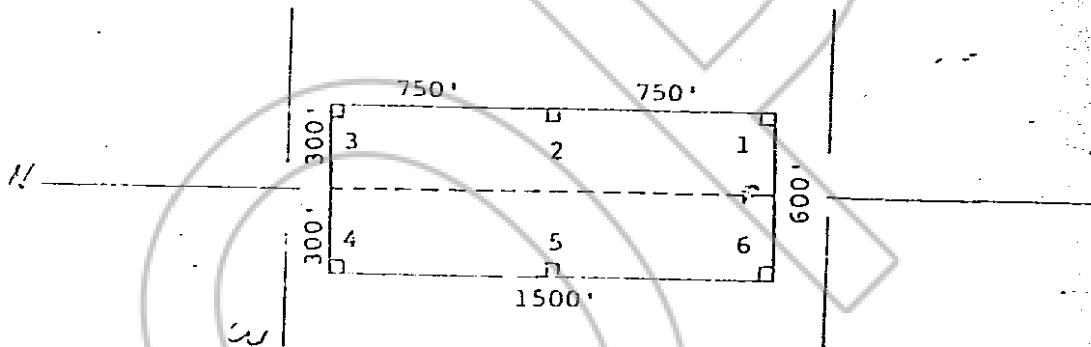
80 AUG 22 11:30
OFFICIAL RECORDS
EUREKA COUNTY, NEVADA
WILLIE ROEMER, RECORDER
FILE NO. 75605
FILE 3.00
RECORDED AT REQUEST OF
American Selco Inc.
BOOK 85 PAGE 264

STATE OF NEVADA
CERTIFICATE OF MINING LOCATION
LODE CLAIM ON PUBLIC DOMAIN

NOTICE IS HEREBY GIVEN that the Twin No. 78 lode mining claim has been located by AMERICAN SELCO INC. a New York corporation, whose address is 99 West Grove Street, Suite 100, Reno, Nevada 89509. The general course of this claim is North/South. This claim is 1500 feet in length along the course of the claim, being 1490 feet from the point of discovery in a North direction to the North end line of this claim, and 10 feet in a South direction to the South end line of the claim. This claim is 600 feet in width, being 300 feet in width on each side of the center line of the claim.

This claim is located within the SW Quarter of Section 30, Township 19 North, Range 50 East, Mount Diablo Base and Meridian, unknown Mining District, Eureka County, Nevada. The location monument of this claim is situated with reference to some natural object or permanent monument as follows: Corner no. 1 of this claim is located approximately 1000 feet N 41° E from the located SW corner section 36 T19N R49E MDM

The corners of this claim are marked by 4"x4" posts or 4" trees with metal tags inscribed with the appropriate corner number as shown on the following sketch and the accompanying claim map.



The location work consisted of making the maps as provided in NRS 517.040.

Dated and posted on the ground this 25 day of May, 19 80

Witnesses:

Locator:

AMERICAN SELCO INC.

By

[Signature]
Agent for
American Selco Inc.

STATE OF NEVADA)
) ss.
COUNTY OF _____)

I hereby certify that the within instrument was filed and recorded at the request of: _____
FILE NO. _____
on _____
at _____
Docket _____ page _____

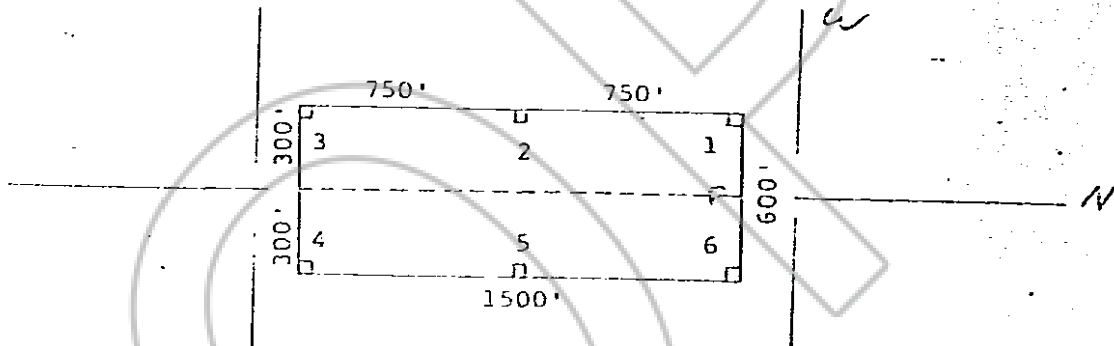
RECORDED AT REQUEST OF
American Selco Inc.
BOOK 85 PAGE 265
80 AUG 22 AM 11:30
OFFICIAL RECORDS
EUREKA COUNTY NEVADA
WILLIS A. FROST RECORDER
Reno, Nevada
File No. 75606
Vol. 300

STATE OF NEVADA
CERTIFICATE OF MINING LOCATION
LODE CLAIM ON PUBLIC DOMAIN

NOTICE IS HEREBY GIVEN that the Twin No. 79 lode mining claim has been located by AMERICAN SELCO INC. a New York corporation, whose address is 99 West Grove Street, Suite 100, Reno, Nevada 89509. The general course of this claim is North/South. This claim is 1500 feet in length along the course of the claim, being 10 feet from the point of discovery in a North direction to the North end line of this claim, and 1790 feet in a South direction to the South end line of the claim. This claim is 600 feet in width, being 300 feet in width on each side of the center line of the claim.

This claim is located within the SW Quarter of Section 30, Township 19 North, Range 50 East, Mount Diablo Base and Meridian, unknown Mining District, Eureka County, Nevada. The location monument of this claim is situated with reference to some natural object or permanent monument as follows: Corner no. 1 of this claim is located approximately 10100 feet N 71° E from the located SW corner section 36 T19N R49E MDM

The corners of this claim are marked by 4"x4" posts or 4" trees with metal tags inscribed with the appropriate corner number as shown on the following sketch and the accompanying claim map.



The location work consisted of making the maps as provided in NRS 517.040.

Dated and posted on the ground this 28 day of May, 19 80

Witnesses:

Locator:

AMERICAN SELCO INC.

By [Signature]
Agent for
American Selco Inc.

STATE OF NEVADA)
) ss.
COUNTY OF _____)

I hereby certify that the within instrument was filed and recorded at the request of: _____
FILE NO. _____
on _____
at _____
Docket _____ Page _____

RECORDED AT REQUEST OF
American Selco Inc.
BOOK 85 PAGE 266
80 AUG 22 11:30
OFFICE RECORDS
CLERK, CLERK, CLERK
FILE NO. 75607
FILE NO. 300

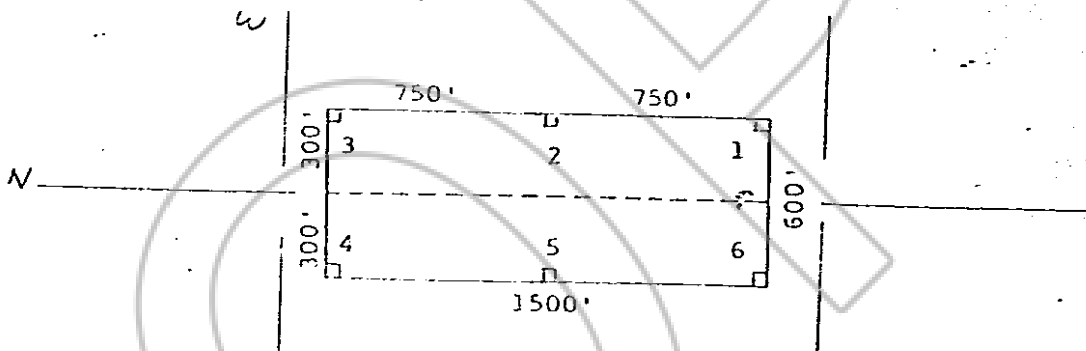
STATE OF NEVADA
CERTIFICATE OF MINING LOCATION
LODE CLAIM ON PUBLIC DOMAIN

75608

NOTICE IS HEREBY GIVEN that the Twin No. 80 lode mining claim has been located by AMERICAN SELCO INC. a New York corporation, whose address is 99 West Grove Street, Suite 100, Reno, Nevada 89509. The general course of this claim is North/South. This claim is 1500 feet in length along the course of the claim, being 1490 feet from the point of discovery in a North direction to the North end line of this claim, and 10 feet in a South direction to the South end line of the claim. This claim is 600 feet in width, being 300 feet in width on each side of the center line of the claim.

This claim is located within the SW Quarter of Section 30, Township 19 North, Range 50 East, Mount Diablo Base and Meridian, unknown Mining District, Eureka County, Nevada. The location monument of this claim is situated with reference to some natural object or permanent monument as follows: Corner no. 1 of this claim is located approximately 10100 feet N 41° E from the located SW corner section 36 T19N R49E MDM

The corners of this claim are marked by 4"x4" posts or 4" trees with metal tags inscribed with the appropriate corner number as shown on the following sketch and the accompanying claim map.



The location work consisted of making the maps as provided in NRS 517.040.

Dated and posted on the ground this 28 day of May, 19 80

Witnesses:

Locator:

AMERICAN SELCO INC.

By [Signature]
Agent for
American Selco Inc.

STATE OF NEVADA)
) ss.
COUNTY OF _____)

I hereby certify that the within instrument was filed and recorded at the request of: _____
FILE NO. _____
on _____
at _____
Docket _____ page _____

RECORDED AT REQUEST OF
American Selco Inc.
BOOK 85 PAGE 267
80 AUG 22 11:30
OFFICIAL RECORDS
EUREKA COUNTY NEVADA
WILLIS A. DIABLO
FILE NO. 75608
Fees 3.00

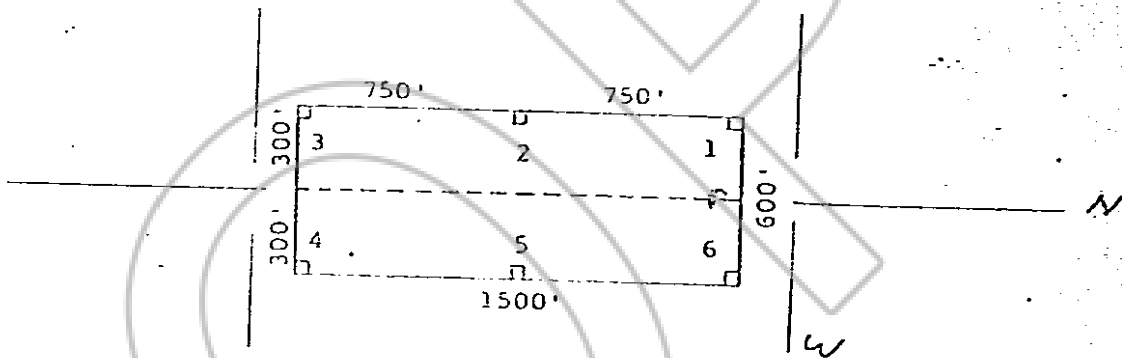
75609

STATE OF NEVADA
CERTIFICATE OF MINING LOCATION
LODE CLAIM ON PUBLIC DOMAIN

NOTICE IS HEREBY GIVEN that the Twin No. 81
lode mining claim has been located by AMERICAN SELCO INC.,
a New York corporation, whose address is 99 West Grove Street,
Suite 100, Reno, Nevada 89509. The general course of this claim
is North/South. This claim is 1500 feet in length
along the course of the claim, being 10 feet from the point
of discovery in a North direction to the North end
line of this claim, and 1490 feet in a South
direction to the South end line of the claim. This claim is
600 feet in width, being 300 feet in width on each side of the
center line of the claim.

This claim is located within the SW Quarter
of Section 30, Township 19 North, Range 50
East, Mount Diablo Base and Meridian, unknown Mining District,
Eureka County, Nevada. The location monument of this claim is
situated with reference to some natural object or permanent monument
as follows: Corner no. 1 of this claim is located approximately 10900
feet N 46° E from the located SW corner section 36 T19N R49E MDM

The corners of this claim are marked by 4"x4" posts or 4" trees
with metal tags inscribed with the appropriate corner number as
shown on the following sketch and the accompanying claim map.



The location work consisted of making the maps as provided in
NRS 517.040.

Dated and posted on the ground this 28 day of May,
19 80)

Witnesses:

Locator:

AMERICAN SELCO INC.

By [Signature]
Agent for
American Selco Inc.

STATE OF NEVADA)
)ss.
COUNTY OF _____)

I hereby certify that the within instrument was filed and recorded at the request of:

FILE NO. _____
on _____
at _____
Docket _____ Page _____

90 AUG 22 11:30
OFFICIAL RECORDS
EUREKA COUNTY, NEVADA
JULIUS A. DEPAOLI - RECORDER
FILE NO. 75609
Fee: \$ 3.00

RECORDED AT REQUEST OF
American Selco Inc.
BOOK 85 PAGE 268

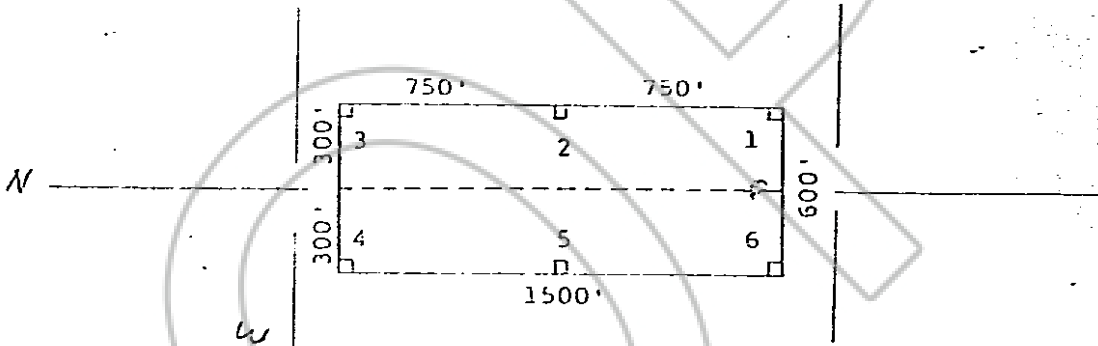
75610

STATE OF NEVADA
CERTIFICATE OF MINING LOCATION
LODE CLAIM ON PUBLIC DOMAIN

NOTICE IS HEREBY GIVEN that the Twin No. 82 lode mining claim has been located by AMERICAN SELCO INC. a New York corporation, whose address is 99 West Grove Street, Suite 100, Reno, Nevada 89509. The general course of this claim is North/South. This claim is 1500 feet in length along the course of the claim, being 1440 feet from the point of discovery in a North direction to the North end line of this claim, and 10 feet in a South direction to the South end line of the claim. This claim is 600 feet in width, being 300 feet in width on each side of the center line of the claim.

This claim is located within the SW Quarter of Section 30, Township 19 North, Range 50 East, Mount Diablo Base and Meridian, unknown Mining District, Eureka County, Nevada. The location monument of this claim is situated with reference to some natural object or permanent monument as follows: Corner no. 1 of this claim is located approximately 10900 feet N 40° E from the located SW corner section 36 T19N R49E MDM

The corners of this claim are marked by 4"x4" posts or 4" trees with metal tags inscribed with the appropriate corner number as shown on the following sketch and the accompanying claim map.



The location work consisted of making the maps as provided in NRS 517.040.

Dated and posted on the ground this 28 day of May, 19 80)

Witnesses:

Locator:

AMERICAN SELCO INC.

By [Signature]
Agent for
American Selco Inc.

STATE OF NEVADA)
) ss.
COUNTY OF _____)

I hereby certify that the within instrument was filed and recorded at the request of: _____
FILE NO. _____
on _____
at _____
Docket _____ page _____

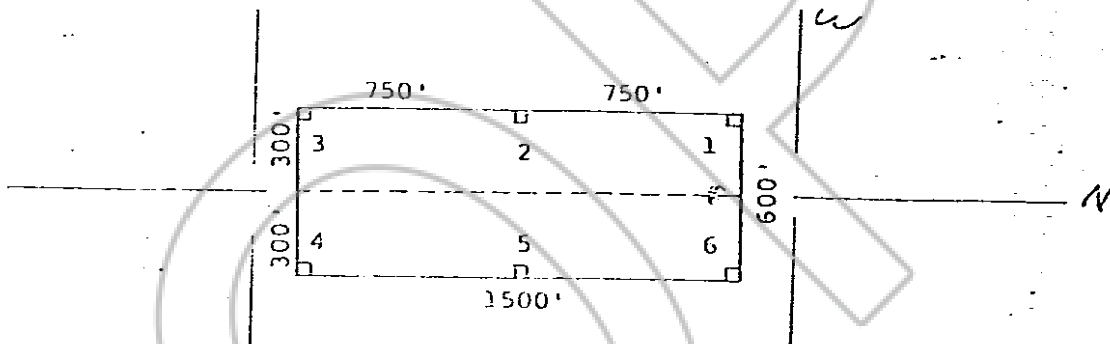
RECORDED AT REQUEST OF
American Selco Inc.
BOOK 85 PAGE 269
80 AUG 22 AM 1:30
OFFICE REC'D
FUSEK R. COUNTY CLERK
CLERK OF COUNTY RECORDS
FILE NO. 75610
PAGE 1

75611

NOTICE IS HEREBY GIVEN that the Twin No. 83 lode mining claim has been located by AMERICAN SELCO INC. a New York corporation, whose address is 90 West Grove Street, Suite 100, Reno, Nevada 89509. The general course of this claim is North/South. This claim is 1500 feet in length along the course of the claim, being 10 feet from the point of discovery in a North direction to the North end line of this claim, and 1490 feet in a South direction to the South end line of the claim. This claim is 600 feet in width, being 300 feet in width on each side of the center line of the claim.

This claim is located within the SE Quarter of Section 30, Township 19 North, Range 50 East, Mount Diablo Base and Meridian, unknown Mining District, Eureka County, Nevada. The location monument of this claim is situated with reference to some natural object or permanent monument as follows: Corner no. 1 of this claim is located approximately 10900 feet N 46° E from the located SW corner section 36 T19N R49E MDM

The corners of this claim are marked by 4"x4" posts or 4" trees with metal tags inscribed with the appropriate corner number as shown on the following sketch and the accompanying claim map.



The location work consisted of making the maps as provided in NRS 517.040.

Dated and posted on the ground this 28 day of May, 19 80)

Witnesses:

Locator:

AMERICAN SELCO INC.

By

[Signature]
Agent for
American Selco Inc.

STATE OF NEVADA)

) ss.

COUNTY OF _____)

I hereby certify that the within instrument was filed and recorded at the request of: _____

FILE NO. _____
on _____
at _____

Docket _____ page _____

OFFICIAL RECORDS
EUREKA COUNTY, NEVADA
WILLIAM A. DEPAOLI - RECORDER
FILE NO. 75611
FEE \$ 3.00

80 AUG 22 11:30

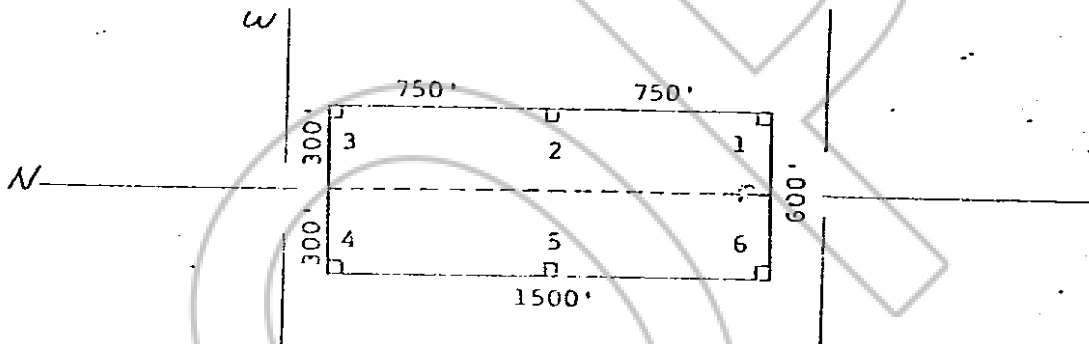
RECORDED AT REQUEST OF
American Selco Inc.
BOOK 85 PAGE 270

STATE OF NEVADA
CERTIFICATE OF MINING LOCATION
LODE CLAIM ON PUBLIC DOMAIN

NOTICE IS HEREBY GIVEN that the Twin No. 84 lode mining claim has been located by AMERICAN SELCO INC. a New York corporation, whose address is 99 West Grove Street, Suite 100, Reno, Nevada 89509. The general course of this claim is North/South. This claim is 1500 feet in length along the course of the claim, being 1490 feet from the point of discovery in a North direction to the North end line of this claim, and 10 feet in a South direction to the South end line of the claim. This claim is 600 feet in width, being 300 feet in width on each side of the center line of the claim.

This claim is located within the SE Quarter of Section 30, Township 19 North, Range 50 East, Mount Diablo Base and Meridian, unknown Mining District, Eureka County, Nevada. The location monument of this claim is situated with reference to some natural object or permanent monument as follows: Corner no. 1 of this claim is located approximately 10900 feet N 46° E from the located SW corner section 36 T19N R49E MDM

The corners of this claim are marked by 4"x4" posts or 4" trees with metal tags inscribed with the appropriate corner number as shown on the following sketch and the accompanying claim map.



The location work consisted of making the maps as provided in NRS 517.040.

Dated and posted on the ground this 28 day of May, 19 80

Witnesses:

Locator:

AMERICAN SELCO INC.

By [Signature]
Agent for
American Selco Inc.

STATE OF NEVADA)
) ss.
COUNTY OF _____)

I hereby certify that the within instrument was filed and recorded at the request of:

FILE NO. _____
on _____
at _____

Docket _____ Page _____

OFFICIAL RECORDS
EUREKA COUNTY, NEVADA
W. CLYDE ADAMS, RECORDER
FILE NO. 75612
Fees: \$ 1.00

50 AUG 22 11:30

RECORDED AT REQUEST OF
American Selco Inc.
BOOK 85 PAGE 271