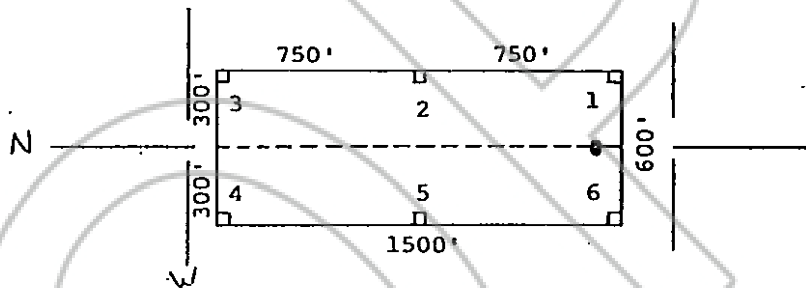


STATE OF NEVADA
CERTIFICATE OF MINING LOCATION
LODE CLAIM ON PUBLIC DOMAIN

NOTICE IS HEREBY GIVEN that the X No. 1
lode mining claim has been located by AMSELCO MINERALS INC.,
a Delaware corporation, whose address is 90 West Grove Street,
Suite 100, Reno, Nevada 89509. The general course of this claim
is North/South. This claim is 1500 feet in length
along the course of the claim, being 1490 feet from the point
of discovery in a North direction to the North end
line of this claim, and 10 feet in a SOUTH
direction to the South end line of the claim. This claim is
600 feet in width, being 300 feet in width on each side of the
center line of the claim.

This claim is located within the S.E. Quarter
of Section 16, Township 18 North, Range 52
East, Mount Diablo Base and Meridian, unknown Mining District,
Eureka County, Nevada. The location monument of this claim is
situated with reference to some natural object or permanent monument
as follows: Corner no. 1 of this claim is located approximately
23,900 feet N 46°W of the located SE corner of Section
36, T18N, R52E, MDM

The corners of this claim are marked by 4"x4" posts or 4" trees
with metal tags inscribed with the appropriate corner number as
shown on the following sketch and the accompanying claim map.



The location work consisted of making the maps as provided in
NRS 517.040.

Dated and posted on the ground this 18 day of August,
1980.

Witnesses:

RECORDED AT REQUEST OF
William T. Rice
BOOK 89 PAGE 160

Locator:

AMSELCO MINERALS INC.

80 NOV 4 11:44

By [Signature]
Agent for
Amselco Minerals Inc.

STATE OF NEVADA
COUNTY OF _____

OFFICIAL RECORDS
EUREKA COUNTY, NEVADA
WILLIS A. DEPADIL-RECORDER
FILE NO. 77672
FEE \$ 3.00

I hereby certify that the within
instrument was filed and recorded at
the request of: _____
FILE NO. _____
on _____
at _____
Docket _____ Page _____

Witness my hand and official
seal the day and year aforesaid.

County Recorder

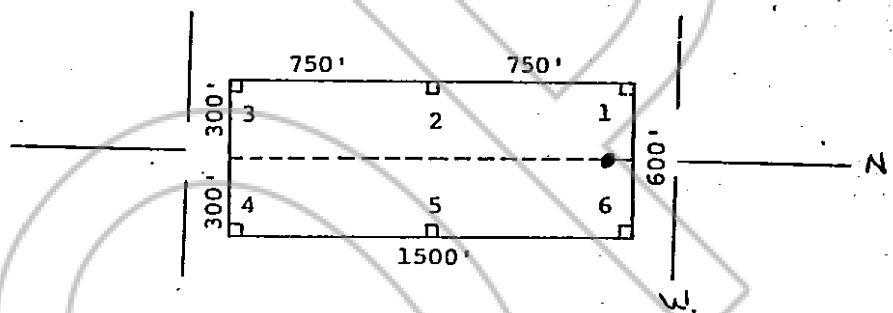
By _____
Deputy Recorder

BOOK 89 PAGE 160

NOTICE IS HEREBY GIVEN that the X No. 2 lode mining claim has been located by AMSELCO MINERALS INC., a Delaware corporation, whose address is 90 West Grove Street, Suite 100, Reno, Nevada 89509. The general course of this claim is North/South. This claim is 1500 feet in length along the course of the claim, being 10 feet from the point of discovery in a North direction to the North end line of this claim, and 1490 feet in a South direction to the South end line of the claim. This claim is 300 feet in width, being 300 feet in width on each side of the center line of the claim.

This claim is located within the S.E. & N.E Quarter of Section 16 & 21, Township 18 North, Range 52 East, Mount Diablo Base and Meridian, unknown Mining District, Eureka County, Nevada. The location monument of this claim is situated with reference to some natural object or permanent monument as follows: Corner no. 1 of this claim is located approximately 23,900 feet N 46°W of the located SE corner of Section 36, T18N, R52E, MDM

The corners of this claim are marked by 4"x4" posts or 4" trees with metal tags inscribed with the appropriate corner number as shown on the following sketch and the accompanying claim map.



The location work consisted of making the maps as provided in NRS 517.040.

Dated and posted on the ground this 18 day of August, 1980.

Witnesses:

RECORDED AT REQUEST OF
William T. Rice
BOOK 89 PAGE 161

Locator:

AMSELCO MINERALS INC.

80 NOV 4 AM: 44

By [Signature]
Agent for
Amselco Minerals Inc.

STATE OF NEVADA
COUNTY OF _____

OFFICIAL RECORDS
EUREKA COUNTY, NEVADA
WILLIS A. DEPAOLI-RECORDER
FILE NO. 77673
FEE \$ 3.00

I hereby certify that the within instrument was filed and recorded at the request of: _____
FILE NO. _____
on _____
at _____
Docket _____ Page _____

Witness my hand and official seal the day and year aforesaid.

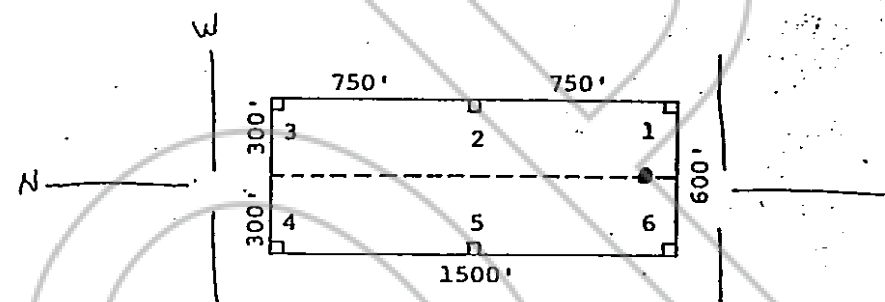
County Recorder

By _____
Deputy Recorder

NOTICE IS HEREBY GIVEN that the X No. 3 lode mining claim has been located by AMSELCO MINERALS INC., a Delaware corporation, whose address is 90 West Grove Street, Suite 100, Reno, Nevada 89509. The general course of this claim is North/South. This claim is 1500 feet in length along the course of the claim, being 1490 feet from the point of discovery in a North direction to the North end line of this claim, and 10 feet in a South direction to the South end line of the claim. This claim is 600 feet in width, being 300 feet in width on each side of the center line of the claim.

This claim is located within the S.E. Quarter of Section 16, Township 18 North, Range 52 East, Mount Diablo Base and Meridian, unknown Mining District, Eureka County, Nevada. The location monument of this claim is situated with reference to some natural object or permanent monument as follows: Corner no. 1 of this claim is located approximately 23,900 feet N 46° W of the located SE corner of Section 36, T18N, R52E, MDM

The corners of this claim are marked by 4"x4" posts or 4" trees with metal tags inscribed with the appropriate corner number as shown on the following sketch and the accompanying claim map.



The location work consisted of making the maps as provided in NRS 517.040.

Dated and posted on the ground this 18 day of August 1980.

Witnesses: _____ Locator: AMSELCO MINERALS INC
RECORDED AT REQUEST OF: William T. Rice
BOOK 89 PAGE 162
By _____ Agent for Amselco Minerals Inc.
80 NOV 4 AM 11:45

STATE OF NEVADA
COUNTY OF _____
OFFICIAL RECORDS
EUREKA COUNTY, NEVADA
WILLIS A. DEFOUL - RECORDER
FILE NO. 77674
FEE \$ 3.00

I hereby certify that the within instrument was filed and recorded at the request of: _____
FILE NO. _____
on _____
at _____
Docket _____ Page _____

Witness my hand and official seal the day and year aforesaid.

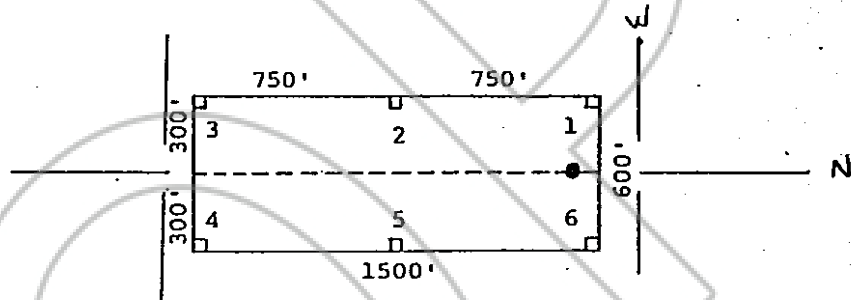
County Recorder
By _____
Deputy Recorder

BOOK 89 PAGE 162

NOTICE IS HEREBY GIVEN that the X No. 4
lode mining claim has been located by AMSELCO MINERALS INC.,
a Delaware corporation, whose address is 90 West Grove Street,
Suite 100, Reno, Nevada 89509. The general course of this claim
is North/South. This claim is 1500 feet in length
along the course of the claim, being 10 feet from the point
of discovery in a North direction to the North end
line of this claim, and 1490 feet in a South
direction to the South end line of the claim. This claim is
600 feet in width, being 300 feet in width on each side of the
center line of the claim.

This claim is located within the S.E. & N.E. Quarter
of Section 16 & 21, Township 18 North, Range 52
East, Mount Diablo Base and Meridian, unknown Mining District,
Eureka County, Nevada. The location monument of this claim is
situated with reference to some natural object or permanent monument
as follows: Corner no. 1 of this claim is located approximately
23,900 feet N 46° W of the located SE corner of Section
36, T18N, R52E, MDM

The corners of this claim are marked by 4"x4" posts or 4" trees
with metal tags inscribed with the appropriate corner number as
shown on the following sketch and the accompanying claim map.



The location work consisted of making the maps as provided in
NRS 517.040.

Dated and posted on the ground this 18 day of August,
1980.

Witnesses: RECORDED AT REQUEST OF
William T. Rice
BOOK 89 PAGE 163

Locator:
AMSELCO MINERALS INC.

80 NOV 4 AM: 45

By [Signature]
Agent for
Amselco Minerals Inc.

OFFICIAL RECORDS
EUREKA COUNTY, NEVADA
WILLIS A. DEPAOLI - RECORDER
STATE OF NEVADA FILE NO. 77675
FEE \$ 3.00 ss.
COUNTY OF _____)

I hereby certify that the within
instrument was filed and recorded at
the request of: _____
FILE NO. _____
on _____
at _____
Docket _____ Page _____

Witness my hand and official
seal the day and year aforesaid.

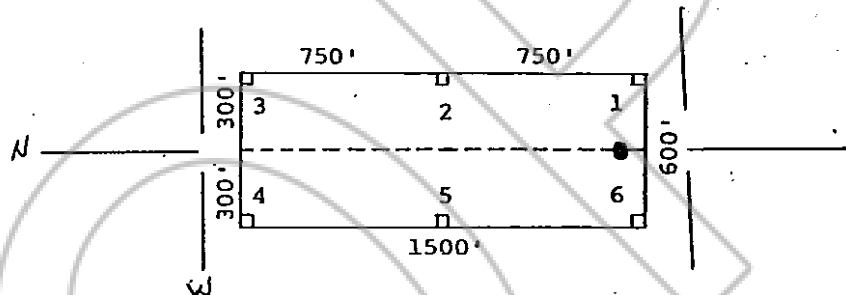
County-Recorder

By _____
Deputy Recorder

NOTICE IS HEREBY GIVEN that the X No. 5
lode mining claim has been located by AMSELCO MINERALS INC.,
a Delaware corporation, whose address is 90 West Grove Street,
Suite 100, Reno, Nevada 89509. The general course of this claim
is North/South. This claim is 1500 feet in length
along the course of the claim, being 1490 feet from the point
of discovery in a North direction to the North end
line of this claim, and 10 feet in a South
direction to the South end line of the claim. This claim is
600 feet in width, being 300 feet in width on each side of the
center line of the claim.

This claim is located within the S.E. Quarter
of Section 16, Township 18 North, Range 52
East, Mount Diablo Base and Meridian, unknown Mining District,
Eureka County, Nevada. The location monument of this claim is
situated with reference to some natural object or permanent monument
as follows: Corner no. 1 of this claim is located approximately
23,050 feet N 44°W of the located SE corner of Section
36, T18N, R52E, MDM

The corners of this claim are marked by 4"x4" posts or 4" trees
with metal tags inscribed with the appropriate corner number as
shown on the following sketch and the accompanying claim map.



The location work consisted of making the maps as provided in
NRS 517.040.

Dated and posted on the ground this 18 day of August,
1980.

Witnesses:

RECORDED AT REQUEST OF
William T. Rice
BOOK 89 PAGE 164

Locator:

AMSELCO MINERALS INC.

80 NOV 4 11:45

By [Signature]
Agent for
Amselco Minerals Inc.

OFFICIAL RECORDS
EUREKA COUNTY, NEVADA
WILLIS A. DEBARDI, RECORDER
FILE NO. 77676
FEE'S 3.00 SS.

STATE OF NEVADA

COUNTY OF _____)

I hereby certify that the within
instrument was filed and recorded at
the request of: _____

FILE NO. _____
on _____
at _____
Docket _____ Page _____

Witness my hand and official
seal the day and year aforesaid.

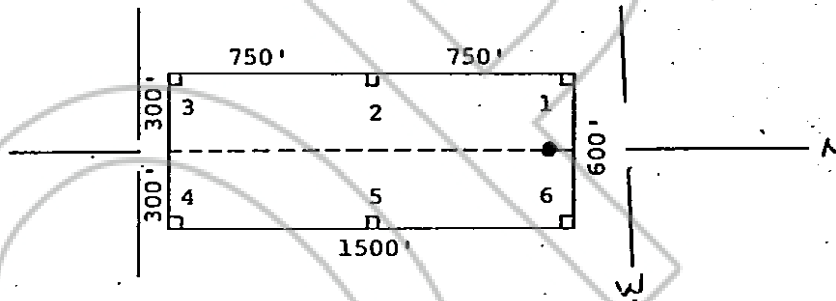
County-Recorder

By _____
Deputy Recorder

NOTICE IS HEREBY GIVEN that the X No. 6 lode mining claim has been located by AMSELCO MINERALS INC., a Delaware corporation, whose address is 90 West Grove Street, Suite 100, Reno, Nevada 89509. The general course of this claim is North/South. This claim is 1500 feet in length along the course of the claim, being 10 feet from the point of discovery in a North direction to the North end line of this claim, and 1490 feet in a South direction to the South end line of the claim. This claim is 600 feet in width, being 300 feet in width on each side of the center line of the claim.

This claim is located within the SE & NE Quarter of Section 16 & 21, Township 18 North, Range 52 East, Mount Diablo Base and Meridian, unknown Mining District, Eureka County, Nevada. The location monument of this claim is situated with reference to some natural object or permanent monument as follows: Corner no. 1 of this claim is located approximately 23,050 feet N 44° W of the located SE corner of Section 36, T18N, R52E, MDM

The corners of this claim are marked by 4"x4" posts or 4" trees with metal tags inscribed with the appropriate corner number as shown on the following sketch and the accompanying claim map.



The location work consisted of making the maps as provided in NRS 517.040.

Dated and posted on the ground this 18 day of August, 1980.

Witnesses:

RECORDED AT REQUEST OF
William T. Rice
BOOK 89 PAGE 165

Locator:

AMSELCO MINERALS INC

80 NOV 4 11:45

By

[Signature]
Agent for
Amselco Minerals Inc.

STATE OF NEVADA

COUNTY OF _____

OFFICIAL RECORDS
EUREKA COUNTY, NEVADA
WILLIS A. DEPAOLI, RECORDER
FILE NO. 77677
FEE \$ 3.92

I hereby certify that the within instrument was filed and recorded at the request of: _____

FILE NO. _____

on _____

at _____

Docket _____ Page _____

Witness my hand and official seal the day and year aforesaid.

County Recorder

By

Deputy Recorder

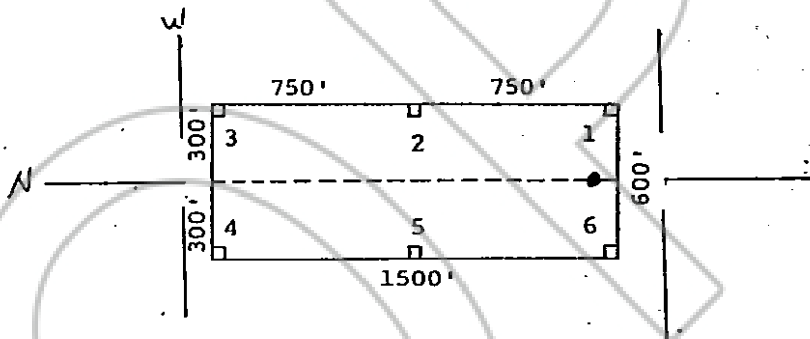
BOOK 89 PAGE 165

STATE OF NEVADA
CERTIFICATE OF MINING LOCATION
LODE CLAIM ON PUBLIC DOMAIN

NOTICE IS HEREBY GIVEN that the X No. 7
lode mining claim has been located by AMSELCO MINERALS INC.,
a Delaware corporation, whose address is 90 West Grove Street,
Suite 100, Reno, Nevada 89509. The general course of this claim
is North/South. This claim is 1500 feet in length
along the course of the claim, being 1490 feet from the point
of discovery in a North direction to the North end
line of this claim, and 10 feet in a South
direction to the South end line of the claim. This claim is
600 feet in width, being 300 feet in width on each side of the
center line of the claim.

This claim is located within the S.W. Quarter
of Section 15, Township 18 North, Range 52
East, Mount Diablo Base and Meridian, unknown Mining District,
Eureka County, Nevada. The location monument of this claim is
situated with reference to some natural object or permanent monument
as follows: Corner no. 1 of this claim is located approximately
23,050 feet N 44°W of the located SE corner of Section
36, T18N, R52E, MDM

The corners of this claim are marked by 4"x4" posts or 4" trees
with metal tags inscribed with the appropriate corner number as
shown on the following sketch and the accompanying claim map.



The location work consisted of making the maps as provided in
NRS 517.040.

Dated and posted on the ground this 18 day of August,
1980.

Witnesses:

Locator:

RECORDED AT REQUEST OF
William T. Rice
BOOK 89 PAGE 166

AMSELCO MINERALS INC.

80 NOV 4 AM 4:45

By [Signature]
Agent for
Amselco Minerals Inc.

STATE OF NEVADA

COUNTY OF _____

OFFICIAL RECORDS
EUREKA COUNTY, NEVADA
WILLIS A. DePAOLI - RECORDER
FILE NO. 77678
FEE \$ 3.00

I hereby certify that the within
instrument was filed and recorded at
the request of:

FILE NO. _____
on _____
at _____
Docket _____ Page _____

Witness my hand and official
seal the day and year aforesaid.

County Recorder

By _____
Deputy Recorder

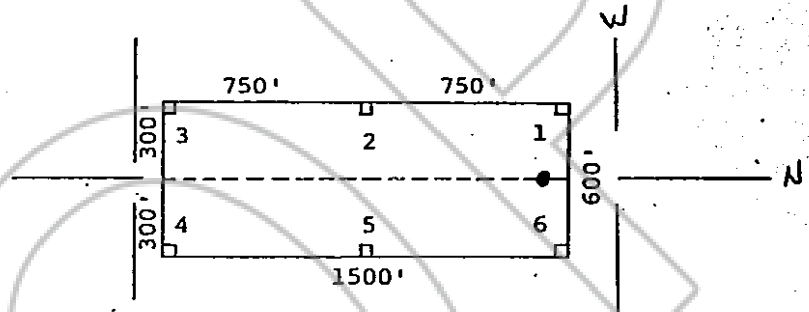
BOOK 89 PAGE 166

STATE OF NEVADA
CERTIFICATE OF MINING LOCATION
LODE CLAIM ON PUBLIC DOMAIN

NOTICE IS HERERY GIVEN that the X No. 8
lode mining claim has been located by AMSELCO MINERALS INC.,
a Delaware corporation, whose address is 90 West Grove Street,
Suite 100, Reno, Nevada 89509. The general course of this claim
is North/South. This claim is 1500 feet in length
along the course of the claim, being 10 feet from the point
of discovery in a North direction to the North end
line of this claim, and 1490 feet in a South
direction to the South end line of the claim. This claim is
600 feet in width, being 300 feet in width on each side of the
center line of the claim.

This claim is located within the S.W. N.W Quarter
of Section 15 & 22, Township 18 North, Range 52
East, Mount Diablo Base and Meridian, unknown Mining District,
Eureka County, Nevada. The location monument of this claim is
situated with reference to some natural object or permanent monument
as follows: Corner no. 1 of this claim is located approximately
23,050 feet N 44° W of the located SE corner of Section
36, T18N, R52E, MDM

The corners of this claim are marked by 4"x4" posts or 4" trees
with metal tags inscribed with the appropriate corner number as
shown on the following sketch and the accompanying claim map.



The location work consisted of making the maps as provided in
NRS 517.040.

Dated and posted on the ground this 18 day of August,
1980.

Witnesses:

RECORDED AT REQUEST OF
William T. Rice
BOOK 89 PAGE 167

Locator:

AMSELCO MINERALS INC.

80 NOV 4 11:45

By

Agent for
Amselco Minerals Inc.

STATE OF NEVADA
COUNTY OF _____

OFFICIAL RECORDS
EUREKA COUNTY, NEVADA
WILLIS A. DEPAOLI - RECORDER
FILE NO. 77679
FEE \$ 3.00

I hereby certify that the within
instrument was filed and recorded at
the request of:

FILE NO. _____
on _____
at _____
Docket _____ Page _____

Witness my hand and official
seal the day and year aforesaid.

County Recorder

By

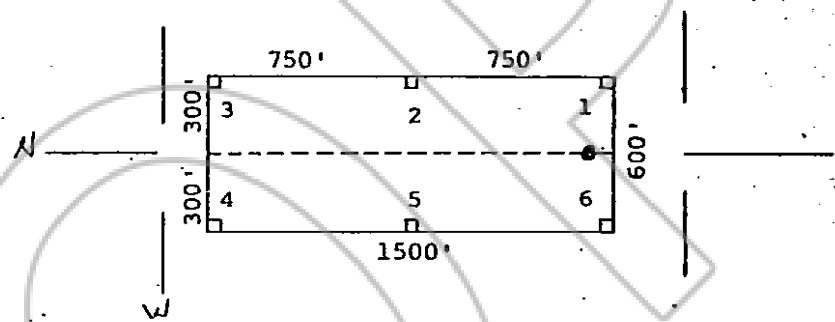
Deputy Recorder

BOOK 89 PAGE 167

NOTICE IS HEREBY GIVEN that the X No. 9
lode mining claim has been located by AMSELCO MINERALS INC.,
a Delaware corporation, whose address is 90 West Grove Street,
Suite 100, Reno, Nevada 89509. The general course of this claim
is North/South. This claim is 1500 feet in length
along the course of the claim, being 1490 feet from the point
of discovery in a North direction to the North end
line of this claim, and 10 feet in a South
direction to the South end line of the claim. This claim is
600 feet in width, being 300 feet in width on each side of the
center line of the claim.

This claim is located within the S.W. Quarter
of Section 15, Township 18 North, Range 52
East, Mount Diablo Base and Meridian, unknown Mining District,
Eureka County, Nevada. The location monument of this claim is
situated with reference to some natural object or permanent monument
as follows: Corner no. 1 of this claim is located approximately
22,250 feet N 42°W of the located SE corner of Section
36, T18N, R52E, MDM

The corners of this claim are marked by 4"x4" posts or 4" trees
with metal tags inscribed with the appropriate corner number as
shown on the following sketch and the accompanying claim map.



The location work consisted of making the maps as provided in
NRS 517.040.

Dated and posted on the ground this 18 day of August,
1980.

Witnesses: RECORDED AT REQUEST OF
William T. Rice
BOOK 89 PAGE 168

Locator:
AMSELCO MINERALS INC.
By [Signature]
Agent for
Amselco Minerals Inc.

80 NOV 4 11:45

OFFICIAL RECORDS
EUREKA COUNTY, NEVADA
WILLIS A. DEPAOLI, RECORDER
STATE OF NEVADA FILE NO. 77680
FEES 3.00) ss.
COUNTY OF _____)

I hereby certify that the within
instrument was filed and recorded at
the request of:
FILE NO. _____
on _____
at _____
Docket _____ Page _____

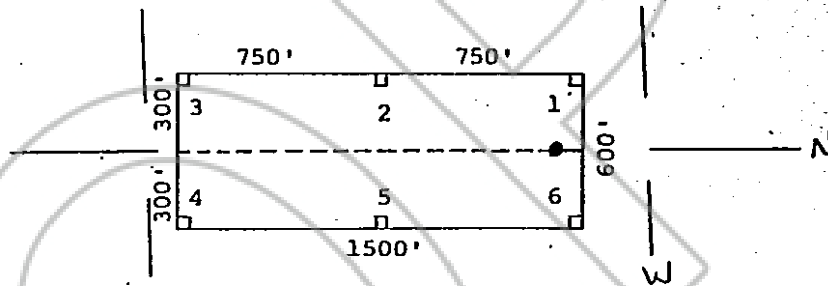
Witness my hand and official
seal the day and year aforesaid.
County Recorder
By _____
Deputy Recorder

BOOK 89 PAGE 168

NOTICE IS HEREBY GIVEN that the X No. 10 lode mining claim has been located by AMSELCO MINERALS INC., a Delaware corporation, whose address is 90 West Grove Street, Suite 100, Reno, Nevada 89509. The general course of this claim is North/South. This claim is 1500 feet in length along the course of the claim, being 10 feet from the point of discovery in a North direction to the North end line of this claim, and 1440 feet in a South direction to the South end line of the claim. This claim is 600 feet in width, being 300 feet in width on each side of the center line of the claim.

This claim is located within the S.W. & N.W Quarter of Section 15 & 22, Township 18 North, Range 52 East, Mount Diablo Base and Meridian, unknown Mining District, Eureka County, Nevada. The location monument of this claim is situated with reference to some natural object or permanent monument as follows: Corner no. 1 of this claim is located approximately 2250 feet N 42° W of the located SE corner of Section 36; T18N, R52E, MDM

The corners of this claim are marked by 4"x4" posts or 4" trees with metal tags inscribed with the appropriate corner number as shown on the following sketch and the accompanying claim map.



The location work consisted of making the maps as provided in NRS 517.040.

Dated and posted on the ground this 18 day of August, 1980.

Witnesses: RECORDED AT REQUEST OF
William T. Rice
BOOK 89 PAGE 169

Locator: AMSELCO MINERALS INC.
By [Signature]
Agent for Amselco Minerals Inc.

80 NOV 4 AM 11:45

OFFICIAL RECORDS
EUREKA COUNTY, NEVADA
WILLIS A. DePAOLI - RECORDER
STATE OF NEVADA FILE NO. 77681
FEE \$ 3.00) ss.
COUNTY OF _____)

I hereby certify that the within instrument was filed and recorded at the request of: _____
FILE NO. _____
on _____
at _____
Docket _____ Page _____

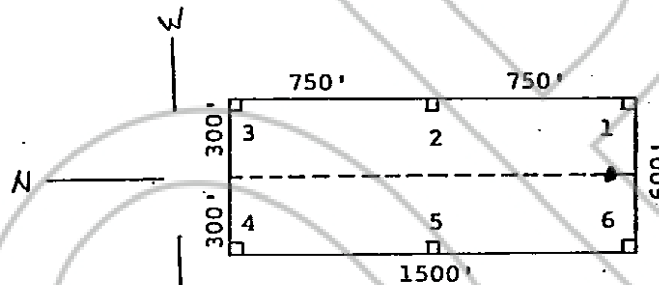
Witness my hand and official seal the day and year aforesaid.

County Recorder
By _____
Deputy Recorder

NOTICE IS HEREBY GIVEN that the X No. //
lode mining claim has been located by AMSELCO MINERALS INC.,
a Delaware corporation, whose address is 90 West Grove Street,
Suite 100, Reno, Nevada 89509. The general course of this claim
is North/South. This claim is 1500 feet in length
along the course of the claim, being 1490 feet from the point
of discovery in a North direction to the North end
line of this claim, and 10 feet in a South
direction to the South end line of the claim. This claim is
600 feet in width, being 300 feet in width on each side of the
center line of the claim.

This claim is located within the S.W Quarter
of Section 15, Township 18 North, Range 52
East, Mount Diablo Base and Meridian, unknown Mining District,
Eureka County, Nevada. The location monument of this claim is
situated with reference to some natural object or permanent monument
as follows: Corner no. 1 of this claim is located approximately
2250 feet N 42° W of the located SE corner of Section
36, T18N, R52E, MDM

The corners of this claim are marked by 4"x4" posts or 4" trees
with metal tags inscribed with the appropriate corner number as
shown on the following sketch and the accompanying claim map.



The location work consisted of making the maps as provided in
NRS 517.040.

Dated and posted on the ground this 18 day of August,
1980.

Witnesses:

RECORDED AT REQUEST OF
William T. Rye
BOOK 89 PAGE 170

Locator:

AMSELCO MINERALS INC.

80 NOV 4 11:45

By

[Signature]
Agent for
Amselco Minerals Inc.

STATE OF NEVADA

OFFICIAL RECORDS
EUREKA COUNTY, NEVADA
WILLIS A. DEPAOLI, RECORDER
FILE NO. 77682
FEE \$ 3.00 ps.

COUNTY OF _____)

I hereby certify that the within
instrument was filed and recorded at
the request of: _____

FILE NO. _____
on _____
at _____
Docket _____ Page _____

Witness my hand and official
seal the day and year aforesaid.

County Recorder

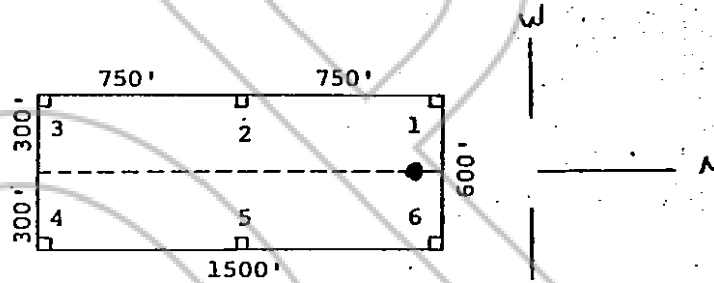
By _____
Deputy Recorder

BOOK 89 PAGE 170

NOTICE IS HEREBY GIVEN that the X No. 12 lode mining claim has been located by AMSELCO MINERALS INC., a Delaware corporation, whose address is 90 West Grove Street, Suite 100, Reno, Nevada 89509. The general course of this claim is North/South. This claim is 1500 feet in length along the course of the claim, being 10 feet from the point of discovery in a North direction to the North end line of this claim, and 1490 feet in a South direction to the South end line of the claim. This claim is 600 feet in width, being 300 feet in width on each side of the center line of the claim.

This claim is located within the S.W. N.W. Quarter of Section 15.22, Township 18 North, Range 52 East, Mount Diablo Base and Meridian, unknown Mining District, Eureka County, Nevada. The location monument of this claim is situated with reference to some natural object or permanent monument as follows: Corner no. 1 of this claim is located approximately 22250 feet N 42°W of the located SE corner of Section 36, T18N, R52E, MDM

The corners of this claim are marked by 4"x4" posts or 4" trees with metal tags inscribed with the appropriate corner number as shown on the following sketch and the accompanying claim map.



The location work consisted of making the maps as provided in NRS 517.040.

Dated and posted on the ground this 18 day of August, 1980.

Witnesses:

RECORDED AT REQUEST OF
William T. Rice
BOOK 89 PAGE 171

Locator:

AMSELCO MINERALS INC.

60 NOV 4 AM 11:45

By [Signature]
Agent for
Amselco Minerals Inc.

STATE OF NEVADA

COUNTY OF _____

OFFICIAL RECORDS
EUREKA COUNTY, NEVADA
WILLIS A. DEPAOLI - RECORDER
FILE NO. 77683
FEES 2.00

I hereby certify that the within instrument was filed and recorded at the request of: _____

FILE NO. _____
on _____
at _____
Docket _____ Page _____

Witness my hand and official seal the day and year aforesaid.

County Recorder

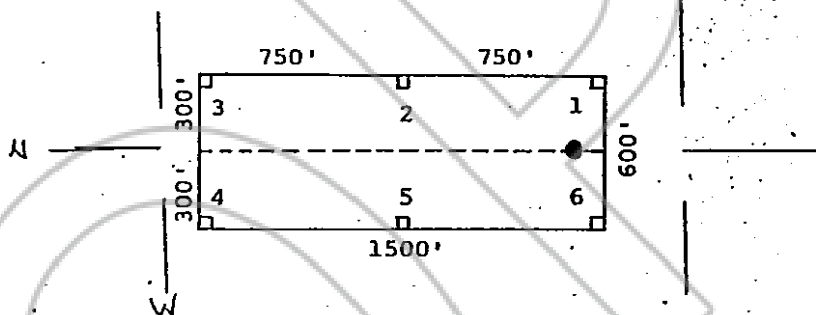
By _____
Deputy Recorder

BOOK 89 PAGE 171

NOTICE IS HEREBY GIVEN that the X No. 13 lode mining claim has been located by AMSELCO MINERALS INC., a Delaware corporation, whose address is 90 West Grove Street, Suite 100, Reno, Nevada 89509. The general course of this claim is North/South. This claim is 1500 feet in length along the course of the claim, being 1490 feet from the point of discovery in a North direction to the North end line of this claim, and 10 feet in a SOUTH direction to the South end line of the claim. This claim is 600 feet in width, being 300 feet in width on each side of the center line of the claim.

This claim is located within the SW Quarter of Section 15, Township 18 North, Range 52 East, Mount Diablo Base and Meridian, unknown Mining District, Eureka County, Nevada. The location monument of this claim is situated with reference to some natural object or permanent monument as follows: Corner no. 1 of this claim is located approximately 21,450 feet N 39 °W of the located SE corner of Section 36, T18N, R52E, MDM

The corners of this claim are marked by 4"x4" posts or 4" trees with metal tags inscribed with the appropriate corner number as shown on the following sketch and the accompanying claim map.



The location work consisted of making the maps as provided in NRS 517.040.

Dated and posted on the ground this 18 day of August, 1980.

Witnesses:

Locator:

RECORDED AT REQUEST OF
William T. Rice
BOOK 81 PAGE 172

AMSELCO MINERALS INC.

80 NOV 4 11:45

By [Signature]
Agent for
Amselco Minerals Inc.

OFFICIAL RECORDS
EUREKA COUNTY NEVADA
STATE OF NEVADA
LIS A. DEBOLD - RECORDER
FILE NO. 77684
COUNTY OF _____ FEES 3.00

I hereby certify that the within instrument was filed and recorded at _____ Witness my hand and official seal the day and year aforesaid:
the request of: _____

FILE NO. _____
on _____
at _____

County Recorder

Docket _____ Page _____

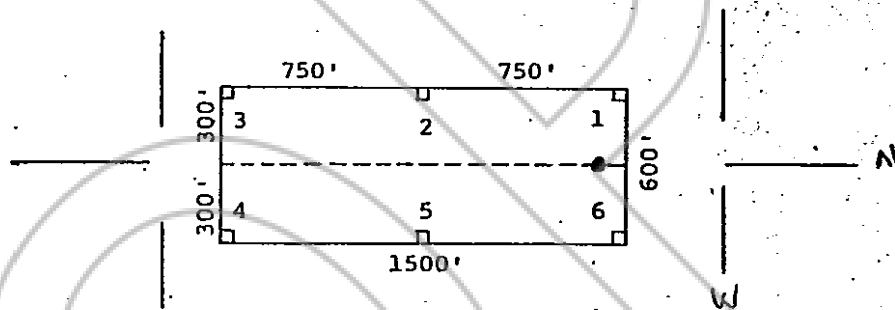
By _____
Deputy Recorder

BOOK 81 PAGE 172

NOTICE IS HEREBY GIVEN that the X No. 14
lode mining claim has been located by AMSELCO MINERALS INC.,
a Delaware corporation, whose address is 90 West Grove Street,
Suite 100, Reno, Nevada 89509. The general course of this claim
is North/South. This claim is 1500 feet in length
along the course of the claim, being 10 feet from the point
of discovery in a North direction to the North end
line of this claim, and 1490 feet in a South
direction to the South end line of the claim. This claim is
600 feet in width, being 300 feet in width on each side of the
center line of the claim.

This claim is located within the SW 1/4 N.W. Quarter
of Section 15 1/2, Township 18 North, Range 52
East, Mount Diablo Base and Meridian, unknown Mining District,
Eureka County, Nevada. The location monument of this claim is
situated with reference to some natural object or permanent monument
as follows: Corner no. 1 of this claim is located approximately
21,450 feet N 39° W of the located SE corner of Section
36, T18N, R52E, MDM

The corners of this claim are marked by 4"x4" posts or 4" trees
with metal tags inscribed with the appropriate corner number as
shown on the following sketch and the accompanying claim map.



The location work consisted of making the maps as provided in
NRS 517.040.

Dated and posted on the ground this 18 day of August,
1980.

Witnesses:

Locator:

RECORDED AT REQUEST OF
William T. Rice
BOOK 89 PAGE 173

AMSELCO MINERALS INC.

80 NOV 4 AM 11:45

By [Signature]
Agent for
Amselco Minerals Inc.

STATE OF NEVADA
COUNTY OF _____
OFFICIAL RECORDS
EUREKA COUNTY, NEVADA
WILLIS A. DEPAOLI, RECORDER
FILE NO. 77685
FEE \$ 3.00

I hereby certify that the within
instrument was filed and recorded at
the request of: _____
FILE NO. _____
on _____
at _____
Docket _____ page _____

Witness my hand and official
seal the day and year aforesaid.

County Recorder

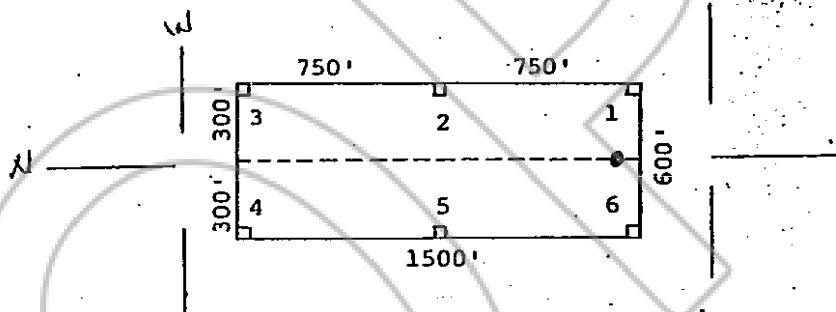
By _____
Deputy Recorder

BOOK 89 PAGE 173

NOTICE IS HEREBY GIVEN that the X No. 18
lode mining claim has been located by AMSELCO MINERALS INC.,
a Delaware corporation, whose address is 90 West Grove Street,
Suite 100, Reno, Nevada 89509. The general course of this claim
is North/South. This claim is 1500 feet in length
along the course of the claim, being 1490 feet from the point
of discovery in a North direction to the North end
line of this claim, and 10 feet in a South
direction to the South end line of the claim. This claim is
600 feet in width, being 300 feet in width on each side of the
center line of the claim.

This claim is located within the SW Quarter
of Section 15, Township 18 North, Range 52
East, Mount Diablo Base and Meridian, unknown Mining District,
Eureka County, Nevada. The location monument of this claim is
situated with reference to some natural object or permanent monument
as follows: Corner no. 1 of this claim is located approximately
21,450 feet N 39° W of the located SE corner of Section
36, T18N, R52E, MDM

The corners of this claim are marked by 4"x4" posts or 4" trees
with metal tags inscribed with the appropriate corner number as
shown on the following sketch and the accompanying claim map.



The location work consisted of making the maps as provided in
NRS 517.040.

Dated and posted on the ground this 18 day of August,
1980.

Witnesses:

RECORDED AT REQUEST OF
William T. Rice
BOOK 89 PAGE 174

Locator:

AMSELCO MINERALS INC.

80 NOV 4 11:45

By

[Signature]
Agent for
Amselco Minerals Inc.

STATE OF NEVADA

OFFICIAL RECORDS
EUREKA COUNTY, NEVADA
WILLIS A. DEPAOLI-RECORDER
FILE NO. 77686
FEE'S 3.00

COUNTY OF _____)

I hereby certify that the within
instrument was filed and recorded at
the request of:

FILE NO. _____
on _____
at _____
Docket _____ Page _____

Witness my hand and official
seal the day and year aforesaid.

County Recorder

By

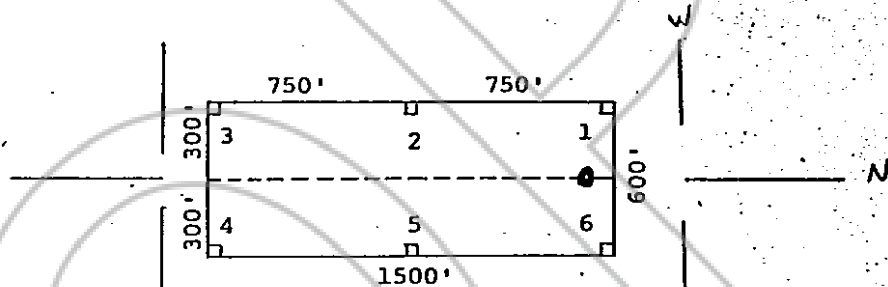
Deputy Recorder

BOOK 89 PAGE 174

NOTICE IS HEREBY GIVEN that the X No. 16 lode mining claim has been located by AMSELCO MINERALS INC., a Delaware corporation, whose address is 90 West Grove Street, Suite 100, Reno, Nevada 89509. The general course of this claim is North/South. This claim is 1500 feet in length along the course of the claim, being 10 feet from the point of discovery in a North direction to the North end line of this claim, and 7490 feet in a South direction to the South end line of the claim. This claim is 600 feet in width, being 300 feet in width on each side of the center line of the claim.

This claim is located within the S.W. & N.W. Quarter of Section 15 & 22, Township 18 North, Range 52 East, Mount Diablo Base and Meridian, unknown Mining District, Eureka County, Nevada. The location monument of this claim is situated with reference to some natural object or permanent monument as follows: Corner no. 1 of this claim is located approximately 21,450 feet N 39 °W of the located SE corner of Section 36, T18N, R52E, MDM

The corners of this claim are marked by 4"x4" posts or 4" trees with metal tags inscribed with the appropriate corner number as shown on the following sketch and the accompanying claim map.



The location work consisted of making the maps as provided in NRS 517.040.

Dated and posted on the ground this 18 day of August, 1980.

Witnesses: RECORDED AT REQUEST OF William T. Rice
BOOK 89 PAGE 175

Locator: AMSELCO MINERALS INC.

80 NOV 4 AM 11:45

By [Signature]
Agent for
Amselco Minerals Inc.

OFFICIAL RECORDS
EUREKA COUNTY, NEVADA
WILLIS A. DEPAOLI, RECORDER
STATE OF NEVADA FILE NO. 77687
FEE \$ 3.00
COUNTY OF _____)

I hereby certify that the within instrument was filed and recorded at the request of:

FILE NO. _____
on _____
at _____
Docket _____ Page _____

Witness my hand and official seal the day and year aforesaid.

County Recorder

By _____
Deputy Recorder