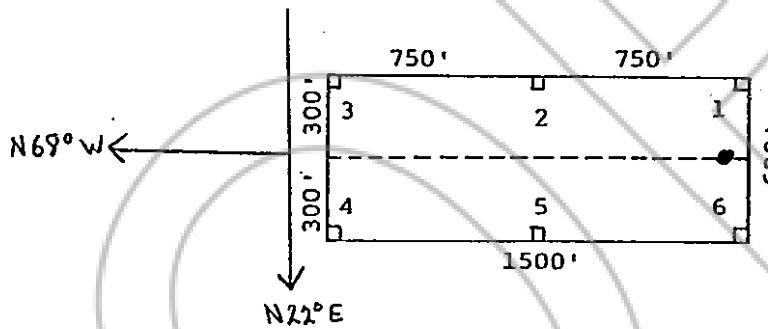


STATE OF NEVADA
CERTIFICATE OF MINING LOCATION
LODE CLAIM ON PUBLIC DOMAIN

NOTICE IS HEREBY GIVEN that the BP No. /
Lode mining claim has been located by AMSELCO MINERALS INC.,
a Delaware corporation, whose address is 90 West Grove Street,
Suite 100, Reno, Nevada 89509. The general course of this claim
is N68°W. This claim is 1500 feet in length
along the course of the claim, being 10 feet from the point
of discovery in a S68°E direction to the East end
line of this claim, and 1490 feet in a N68°W
direction to the West end line of the claim. This claim is
600 feet in width, being 300 feet in width on each side of the
center line of the claim.

This claim is located within the NE 3/4 Quarter
of Section 19, Township 18 North, Range 52
East, Mount Diablo Base and Meridian, unknown Mining District,
Eureka County, Nevada. The location monument of this claim is
situated with reference to some natural object or permanent monument
as follows: Corner no. 6 of this claim is located approximately
4.770 feet N 85°W from Combs Peak VABM 8631

The corners of this claim are marked by 4"x4" posts or 4" trees
with metal tags inscribed with the appropriate corner number as
shown on the following sketch and the accompanying claim map.



The location work consisted of making the maps as provided in
NRS 517.040.

Dated and posted on the ground this 23 day of December,
1980.

Witnesses:

Locator:

AMSELCO MINERALS INC.

By Mike Perry
Agent for
Amselco Minerals Inc.

RECORDED AT REQUEST OF
AMERICAN SELCO INC.
BOOK 91 PAGE 489
FEB 18 10:57
OFFICIAL RECORDS
ESKOLA COUNTY, NEVADA
WILLS & DEPT. RECORDER
FILE NO. 28,27
FEES \$3.00

I hereby certify that the within
instrument was filed and recorded at
the request of: _____
FILE NO. _____
on _____
at _____
Docket _____ Page _____

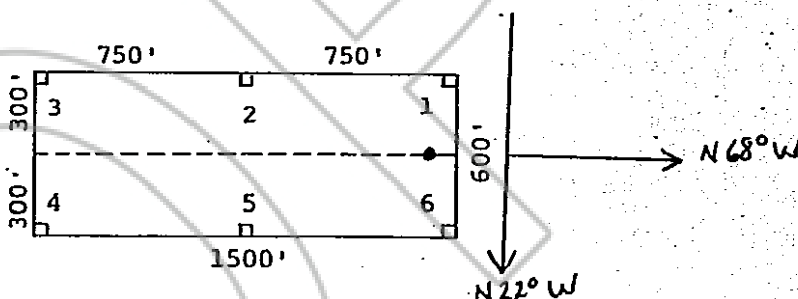
Witness my hand and official
seal the day and year aforesaid.

County Recorder
By BOOK 91 PAGE 489
Deputy Recorder

NOTICE IS HEREBY GIVEN that the BP No. 2 lode mining claim has been located by AMSELCO MINERALS INC., a Delaware corporation, whose address is 90 West Grove Street, Suite 100, Reno, Nevada 89509. The general course of this claim is N68°W. This claim is 1500 feet in length along the course of the claim, being 10 feet from the point of discovery in a S68°E direction to the East end line of this claim, and 1490 feet in a N68°W direction to the West end line of the claim. This claim is 600 feet in width, being 300 feet in width on each side of the center line of the claim.

This claim is located within the NW & SW Quarter of Section 20, Township 18 North, Range 52 East, Mount Diablo Base and Meridian, unknown Mining District, Eureka County, Nevada. The location monument of this claim is situated with reference to some natural object or permanent monument as follows: Corner no. 6 of this claim is located approximately 4,770 feet N 85°W from Combs Peak WABM. 8631

The corners of this claim are marked by 4"x4" posts or 4" trees with metal tags inscribed with the appropriate corner number as shown on the following sketch and the accompanying claim map.



The location work consisted of making the maps as provided in NRS 517.040.

Dated and posted on the ground this 23 day of December, 1980.

Witnesses:

Locator:

AMSELCO MINERALS INC.

By Michael Perry
Agent for
Amselco Minerals Inc.

RECORDED AT REQUEST OF
AMERICAN SELCO INC.
8000 COUNTY
DATE: 08 AIG: 57
OFFICIAL RECORDS
EUREKA COUNTY, NEVADA
FILE NO. 78928
FEE \$ 3.00

I hereby certify that the within instrument was filed and recorded at the request of: _____
FILE NO. _____
on _____
at _____
Docket _____ Page _____

Witness my hand and official seal the day and year aforesaid.

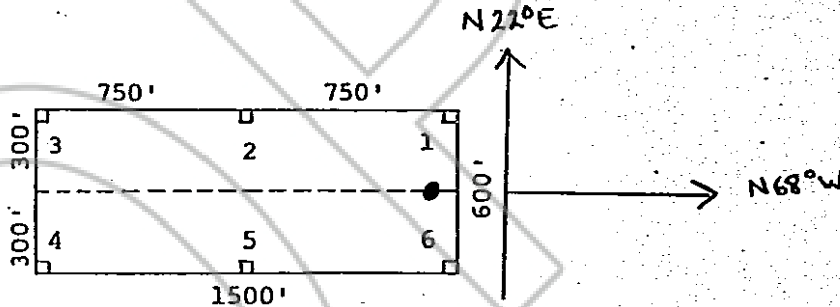
County Recorder

By BOOK 91 PAGE 490
Deputy Recorder

NOTICE IS HEREBY GIVEN that the BP No. 4
lode mining claim has been located by AMSELCO MINERALS INC.,
a Delaware corporation, whose address is 90 West Grove Street,
Suite 100, Reno, Nevada 89509. The general course of this claim
is N68°W. This claim is 1500 feet in length
along the course of the claim, being 10 feet from the point
of discovery in a S68°E direction to the East end
line of this claim, and 1490 feet in a N68°W
direction to the West end line of the claim. This claim is
600 feet in width, being 300 feet in width on each side of the
center line of the claim.

This claim is located within the NW Quarter
of Section 20, Township 18 North, Range 52
East, Mount Diablo Base and Meridian, unknown Mining District,
Eureka County, Nevada. The location monument of this claim is
situated with reference to some natural object or permanent monument
as follows: Corner no. 6 of this claim is located approximately
4,770 feet N 85.°W from Combs Peak VABM 8631

The corners of this claim are marked by 4"x4" posts or 4" trees
with metal tags inscribed with the appropriate corner number as
shown on the following sketch and the accompanying claim map.



The location work consisted of making the maps as provided in
NRS 517.040.

Dated and posted on the ground this 23 day of December,
1980.

Witnesses:

STATE OF NEVADA)
COUNTY OF _____) ss.

Locator:
AMSELCO MINERALS INC.
By Mike Piny
Agent for
Amselco Minerals Inc.

RECORDED AT REQUEST OF
AMERICAN SELCO INC.
BOOK 91 PAGE 492

FEB 18 10:57
OFFICIAL RECORDS
EUREKA COUNTY NEVADA
WILLIS A. DEPASQUALE CLERK
FILE NO. 78930
FEES \$3.00

I hereby certify that the within
instrument was filed and recorded at
the request of: _____
FILE NO. _____
on _____
at _____
Docket _____ Page _____

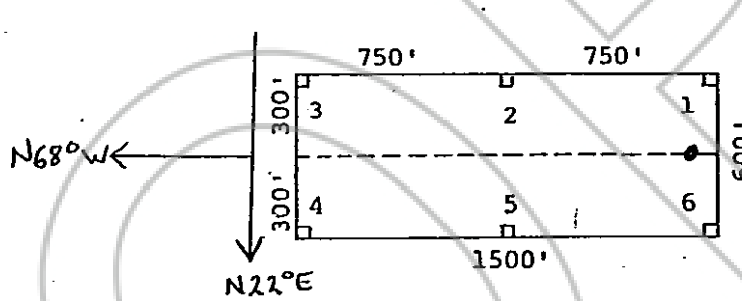
Witness my hand and official
seal the day and year aforesaid.

County Recorder
BOOK 91 PAGE 492
Deputy Recorder

NOTICE IS HEREBY GIVEN that the BP No. 5
lode mining claim has been located by AMSELCO MINERALS INC.,
a Delaware corporation, whose address is 90 West Grove Street,
Suite 100, Reno, Nevada 89509. The general course of this claim
is N68°W. This claim is 1500 feet in length
along the course of the claim, being 10 feet from the point
of discovery in a S68°E direction to the East end
line of this claim, and 1470 feet in a N68°W
direction to the West end line of the claim. This claim is
600 feet in width, being 300 feet in width on each side of the
center line of the claim.

This claim is located within the NW / NE Quarter
of Section 20 / 19, Township 18 North, Range 52
East, Mount Diablo Base and Meridian, unknown Mining District,
Eureka County, Nevada. The location monument of this claim is
situated with reference to some natural object or permanent monument
as follows: Corner no. 6 of this claim is located approximately
4,713 feet N 69°W from Combs Peak VABM 8631

The corners of this claim are marked by 4"x4" posts or 4" trees
with metal tags inscribed with the appropriate corner number as
shown on the following sketch and the accompanying claim map.



The location work consisted of making the maps as provided in
NRS 517.040.

Dated and posted on the ground this 23 day of December,
1980.

Witnesses:

STATE OF NEVADA
COUNTY OF _____
RECORDED AT REQUEST OF
AMERICAN SELCO INC
BOOK 91 PAGE 493
FEB 18 A 10:57
OFFICIAL RECORDER
EUREKA COUNTY NEVADA
WILLIS A. DEHAUT-RECORDER
FILE NO. 78931
FEE \$ 3.00

Locator:
AMSELCO MINERALS INC.
By Mike Perry
Agent for
Amselco Minerals Inc.

I hereby certify that the within
instrument was filed and recorded at
the request of: _____
FILE NO. _____
on _____
at _____
Docket _____ Page _____

Witness my hand and official
seal the day and year aforesaid.

County Recorder
By BOOK 91 PAGE 493
Deputy Recorder

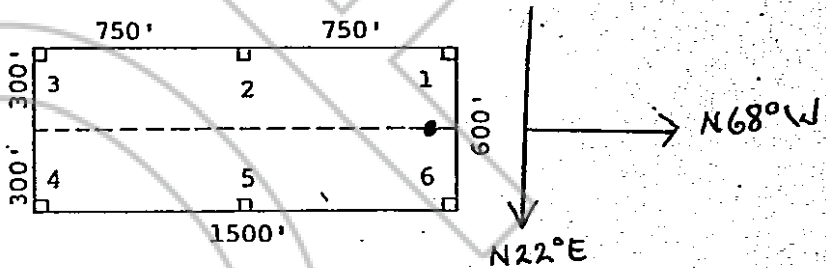
STATE OF NEVADA
 CERTIFICATE OF MINING LOCATION
 LODE CLAIM ON PUBLIC DOMAIN

78932

NOTICE IS HEREBY GIVEN that the BP No. 6
 lode mining claim has been located by AMSELCO MINERALS INC.,
 a Delaware corporation, whose address is 90 West Grove Street,
 Suite 100, Reno, Nevada 89509. The general course of this claim
 is N68°W. This claim is 1500 feet in length
 along the course of the claim, being 10 feet from the point
 of discovery in a S68°E direction to the East end
 line of this claim, and 1490 feet in a N68°W
 direction to the West end line of the claim. This claim is
 600 feet in width, being 300 feet in width on each side of the
 center line of the claim.

This claim is located within the NW Quarter
 of Section 20, Township 18 North, Range 52
 East, Mount Diablo Base and Meridian, unknown Mining District,
 Eureka County, Nevada. The location monument of this claim is
 situated with reference to some natural object or permanent monument
 as follows: Corner no. 6 of this claim is located approximately
4,713 feet N 69°W from Combs Peak VABM 8631

The corners of this claim are marked by 4"x4" posts or 4" trees
 with metal tags inscribed with the appropriate corner number as
 shown on the following sketch and the accompanying claim map.



The location work consisted of making the maps as provided in
 NRS 517.040.

Dated and posted on the ground this 23 day of December,
 1980.

Locator:

AMSELCO MINERALS INC.

By Mike Perry
 Agent for
 Amselco Minerals Inc.

RECORDED AT REQUEST OF
 AMERICAN SELCO INC

Witnesses:

81 FEB 18 AM 10:55

OFFICIAL RECORDS
 EUREKA COUNTY, NEVADA
 WILLIS A. DEPAUL, RECORDER
 FILE NO. 78932
 FEE \$ 3.00

STATE OF NEVADA)

COUNTY OF _____)
) ss.

I hereby certify that the within
 instrument was filed and recorded at
 the request of: _____

FILE NO. _____
 on _____
 at _____
 Docket _____ page _____

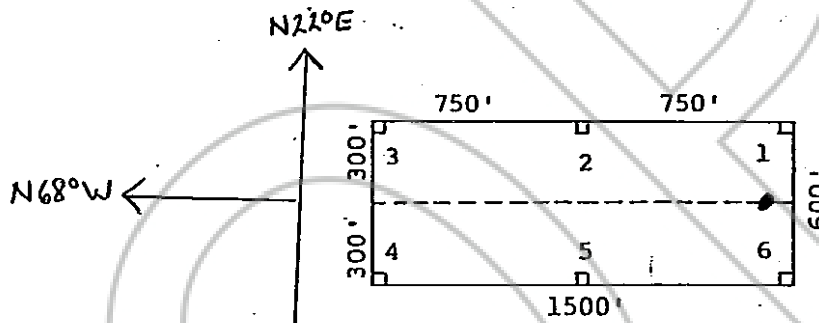
Witness my hand and official
 seal the day and year aforesaid.

County Recorder
 By BOOK 91 PAGE 494
 Deputy Recorder

NOTICE IS HEREBY GIVEN that the BP 7 No. 7 lode mining claim has been located by AMSELCO MINERALS INC., a Delaware corporation, whose address is 90 West Grove Street, Suite 100, Reno, Nevada 89509. The general course of this claim is N68°W. This claim is 1500 feet in length along the course of the claim, being 10 feet from the point of discovery in a S68°E direction to the East end line of this claim, and 1490 feet in a N68°W direction to the West end line of the claim. This claim is 600 feet in width, being 300 feet in width on each side of the center line of the claim.

This claim is located within the SW/SE/NE/NO Quarter of Section 17/18/19/20 Township 18 North, Range 52 East, Mount Diablo Base and Meridian, unknown Mining District, Eureka County, Nevada. The location monument of this claim is situated with reference to some natural object or permanent monument as follows: Corner no. 6 of this claim is located approximately 4,713 feet N 69°W from Combs Peak VABM 8631

The corners of this claim are marked by 4"x4" posts or 4" trees with metal tags inscribed with the appropriate corner number as shown on the following sketch and the accompanying claim map.



The location work consisted of making the maps as provided in NRS 517.040.

Dated and posted on the ground this 23 day of December, 1980.

Witnesses:

Locator:

AMSELCO MINERALS INC.

By Mike Peig
Agent for
Amselco Minerals Inc.

RECORDED AT REQUEST OF
AMERICAN SELCO INC.

BOOK 91 PAGE 495
81 FEB 18 AIO:
OFFICIAL RECORDS
EUREKA COUNTY, NEVADA
WILLIS A. DEPAOLI-RECORDER
FILE NO. 78933
FILE \$ 3.00

STATE OF NEVADA)

COUNTY OF _____) ss.

I hereby certify that the within instrument was filed and recorded at the request of:

Witness my hand and official seal the day and year aforesaid.

FILE NO. _____
on _____
at _____
Docket _____ Page _____

County Recorder

By BOOK 91 PAGE 495
Deputy Recorder

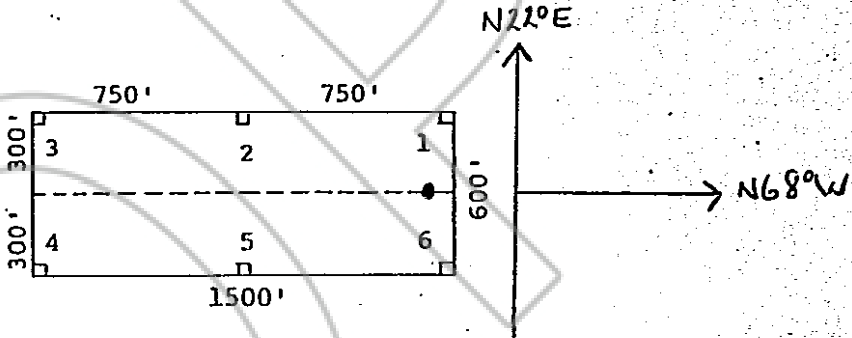
78934

STATE OF NEVADA
CERTIFICATE OF MINING LOCATION
LODE CLAIM ON PUBLIC DOMAIN

NOTICE IS HEREBY GIVEN that the BP No. 8
lode mining claim has been located by AMSELCO MINERALS INC.,
a Delaware corporation, whose address is 90 West Grove Street,
Suite 100, Reno, Nevada 89509. The general course of this claim
is N68°W. This claim is 1500 feet in length
along the course of the claim, being 10 feet from the point
of discovery in a S68°E direction to the East
end line of this claim, and 1490 feet in a N68°W
direction to the West end line of the claim. This claim is
600 feet in width, being 300 feet in width on each side of the
center line of the claim.

This claim is located within the NW Quarter
of Section 20, Township 18 North, Range 52
East, Mount Diablo Base and Meridian, unknown Mining District,
Eureka County, Nevada. The location monument of this claim is
situated with reference to some natural object or permanent monument
as follows: Corner no. 6 of this claim is located approximately
4.713 feet N 69°W from Combs Peak VABM 8631

The corners of this claim are marked by 4"x4" posts or 4" trees
with metal tags inscribed with the appropriate corner number as
shown on the following sketch and the accompanying claim map.



The location work consisted of making the maps as provided in
NRS 517.040.

Dated and posted on the ground this 23 day of December,
1980.

RECORDED AT REQUEST OF
AMERICAN SELCO INC
BOOK 91 PAGE 496

81 FEB 18 A 10:58

OFFICIAL RECORDS
EUREKA COUNTY, NEVADA
WILLIS A. DEPAOLI, RECORDER
FILE NO. 78934
FEB 15 3:00

Locator:
AMSELCO MINERALS INC.
By Mike Perry
Agent for
Amselco Minerals Inc.

STATE OF NEVADA)
COUNTY OF _____) ss.

I hereby certify that the within
instrument was filed and recorded at
the request of: _____
FILE NO. _____
on _____
at _____
Docket _____ Page _____

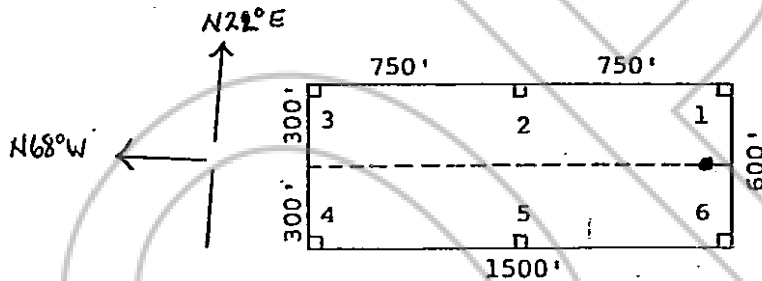
Witness my hand and official
seal the day and year aforesaid.

County Recorder
By BOOK 91 PAGE 496
Deputy Recorder

NOTICE IS HEREBY GIVEN that the BP No. 11 lode mining claim has been located by AMSELCO MINERALS INC., a Delaware corporation, whose address is 90 West Grove Street, Suite 100, Reno, Nevada 89509. The general course of this claim is N68°W. This claim is 1500 feet in length along the course of the claim, being 10 feet from the point of discovery in a S68°E direction to the East end line of this claim, and 1490 feet in a N68°W direction to the West end line of the claim. This claim is 600 feet in width, being 300 feet in width on each side of the center line of the claim.

This claim is located within the SW Quarter of Section 17, Township 18 North, Range 52 East, Mount Diablo Base and Meridian, unknown Mining District, Eureka County, Nevada. The location monument of this claim is situated with reference to some natural object or permanent monument as follows: Corner no. 6 of this claim is located approximately 4,884 feet N 54°W from Combs Peak WABM 8631.

The corners of this claim are marked by 4"x4" posts or 4" trees with metal tags inscribed with the appropriate corner number as shown on the following sketch and the accompanying claim map.



The location work consisted of making the maps as provided in NRS 517.040.

Dated and posted on the ground this 26 day of December, 1980.

Witnesses:

Locator:

AMSELCO MINERALS INC.

By Mike Perry
Agent for
Amselco Minerals Inc.

RECORDED AT REQUEST OF
AMERICAN SELCO INC
BOOK 91 PAGE 499
DATE NEVADA
FEB 18 AM 10:18
OFFICIAL RECORDS
EUREKA COUNTY, NEVADA
WILBIS A. DUNN, RECORDER
FILE NO. 78937
FEE \$ 3.00

I hereby certify that the within instrument was filed and recorded at the request of: _____

FILE NO. _____
on _____
at _____
Docket _____ Page _____

Witness my hand and official seal the day and year aforesaid.

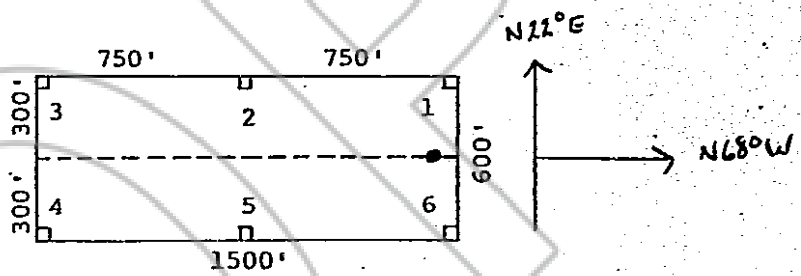
County Recorder

By BOOK 91 PAGE 499
Deputy Recorder

NOTICE IS HEREBY GIVEN that the BP 12 No. 12 lode mining claim has been located by AMSELCO MINERALS INC., a Delaware corporation, whose address is 90 West Grove Street, Suite 100, Reno, Nevada 89509. The general course of this claim is N68°W. This claim is 1500 feet in length along the course of the claim, being 10 feet from the point of discovery in a S68°E direction to the East end line of this claim, and 1490 feet in a N68°W direction to the West end line of the claim. This claim is 600 feet in width, being 300 feet in width on each side of the center line of the claim.

This claim is located within the SW, SE Quarter of Section 17, Township 18 North, Range 52 East, Mount Diablo Base and Meridian, unknown Mining District, Eureka County, Nevada. The location monument of this claim is situated with reference to some natural object or permanent monument as follows: Corner no. 6 of this claim is located approximately 4,884 feet N 54°W from Combs Peak VABM 8631

The corners of this claim are marked by 4"x4" posts or 4" trees with metal tags inscribed with the appropriate corner number as shown on the following sketch and the accompanying claim map.



The location work consisted of making the maps as provided in NRS 517.040.

Dated and posted on the ground this 26 day of December, 1980.

Witnesses:

Locator:

AMSELCO MINERALS INC.

By Mike Perry
Agent for
Amselco Minerals Inc.

RECORDED AT REQUEST OF
AMERICAN SELCO, INC.
BOOK 91 PAGE 502
FEB 18 AID: 88
OFFICIAL RECORDS
EUREKA COUNTY, NEVADA
WILLIS A. DUNN, RECORDER
FILE NO. 78938
FEE \$ 3.00

STATE OF NEVADA)
COUNTY OF _____) ss.

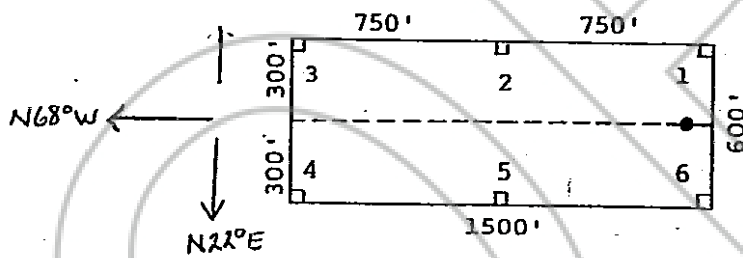
I hereby certify that the within instrument was filed and recorded at the request of: _____
FILE NO. _____
on _____
at _____
Docket _____ Page _____

Witness my hand and official seal the day and year aforesaid.
County Recorder
By BOOK 91 PAGE 500
Deputy Recorder

NOTICE IS HEREBY GIVEN that the BP No. 13 lode mining claim has been located by AMSELCO MINERALS INC., a Delaware corporation, whose address is 90 West Grove Street, Suite 100, Reno, Nevada 89509. The general course of this claim is N68°W. This claim is 1500 feet in length along the course of the claim, being 10 feet from the point of discovery in a S68°E direction to the East end line of this claim, and 1490 feet in a N68°W direction to the West end line of the claim. This claim is 600 feet in width, being 300 feet in width on each side of the center line of the claim.

This claim is located within the SW Quarter of Section 17, Township 18 North, Range 52 East, Mount Diablo Base and Meridian, unknown Mining District, Eureka County, Nevada. The location monument of this claim is situated with reference to some natural object or permanent monument as follows: Corner no. 6 of this claim is located approximately 5,142 feet N 40 1/2 °W from Combs Peak VABM 8631

The corners of this claim are marked by 4"x4" posts or 4" trees with metal tags inscribed with the appropriate corner number as shown on the following sketch and the accompanying claim map.



The location work consisted of making the maps as provided in NRS 517.040.

Dated and posted on the ground this 27 day of December, 1989.

Witnesses:

Locator:

AMSELCO MINERALS INC.

By Mike Perry
Agent for
Amselco Minerals Inc.

RECORDED AT REQUEST OF
AMERICAN SELCO INC
BOOK 91 PAGE 501

STATE OF NEVADA
FEB 18 A 10:58
OFFICIAL RECORDS
EUREKA COUNTY, NEVADA
WILLIS A. COPPOLINO, CLERK
FILE NO. 78939
FEE \$ 3.00

I hereby certify that the within instrument was filed and recorded at the request of: _____
FILE NO. _____
on _____
at _____
Docket _____ Page _____

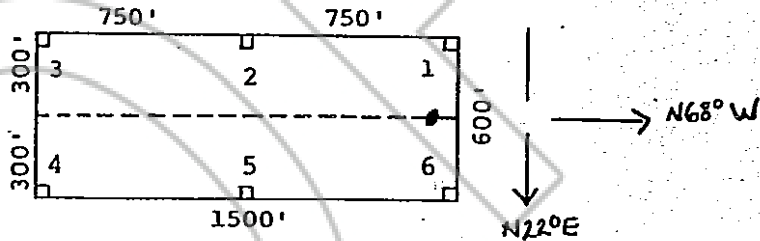
Witness my hand and official seal the day and year aforesaid.

County Recorder
By BOOK 91 PAGE 501
Deputy Recorder

NOTICE IS HEREBY GIVEN that the BP No. 14 lode mining claim has been located by AMSELCO MINERALS INC., a Delaware corporation, whose address is 90 West Grove Street, Suite 100, Reno, Nevada 89509. The general course of this claim is N68°W. This claim is 1500 feet in length along the course of the claim, being 10 feet from the point of discovery in a S68°E direction to the East end line of this claim, and 1490 feet in a N68°W direction to the West end line of the claim. This claim is 600 feet in width, being 300 feet in width on each side of the center line of the claim.

This claim is located within the SW, SE Quarter of Section 17, Township 18 North, Range 52 East, Mount Diablo Base and Meridian, unknown Mining District, Eureka County, Nevada. The location monument of this claim is situated with reference to some natural object or permanent monument as follows: Corner no. 6 of this claim is located approximately 5,142 feet N 40 1/2° W from Combs Peak VABM 8631

The corners of this claim are marked by 4"x4" posts or 4" trees with metal tags inscribed with the appropriate corner number as shown on the following sketch and the accompanying claim map.



The location work consisted of making the maps as provided in NRS 517.040.

Dated and posted on the ground this 27 day of December, 1980.

RECORDED AT REQUEST OF
AMERICAN SELCO INC.
BOOK 91 PAGE 502

81 FEB 18 4 10: 589

OFFICIAL RECORDS
EUREKA COUNTY, NEVADA
WILLIS A. DILLARD - RECORDER
FILE NO. 78940
FEE \$ 3.00

Locator:

AMSELCO MINERALS INC.

By Mike Perry
Agent for
Amselco Minerals Inc.

STATE OF NEVADA)
COUNTY OF _____) ss.

I hereby certify that the within instrument was filed and recorded at the request of: _____
FILE NO. _____
on _____
at _____
Docket _____ Page _____

Witness my hand and official seal the day and year aforesaid.

County Recorder
By BOOK 91 PAGE 502
Deputy Recorder

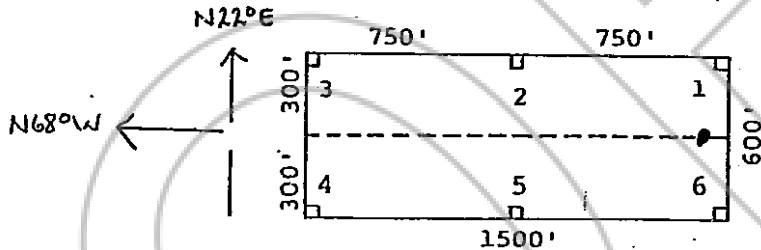
CERTIFICATE OF MINING LOCATION
LODE CLAIM ON PUBLIC DOMAIN

78941

NOTICE IS HEREBY GIVEN that the BP No. 15 lode mining claim has been located by AMSELCO MINERALS INC., a Delaware corporation, whose address is 90 West Grove Street, Suite 100, Reno, Nevada 89509. The general course of this claim is N68°W. This claim is 1500 feet in length along the course of the claim, being 10 feet from the point of discovery in a S68°E direction to the East end line of this claim, and 1490 feet in a N68°W direction to the West end line of the claim. This claim is 600 feet in width, being 300 feet in width on each side of the center line of the claim.

This claim is located within the SW, NW Quarter of Section 17, Township 18 North, Range 52 East, Mount Diablo Base and Meridian, unknown Mining District, Eureka County, Nevada. The location monument of this claim is situated with reference to some natural object or permanent monument as follows: Corner no. 6 of this claim is located approximately 5,142 feet N 46 1/2 °W from Combs Peak VABM 8631

The corners of this claim are marked by 4"x4" posts or 4" trees with metal tags inscribed with the appropriate corner number as shown on the following sketch and the accompanying claim-map.



The location work consisted of making the maps as provided in NRS 517.040.

Dated and posted on the ground this 27 day of December, 1980.

Witnesses:

Locator:

RECORDED AT REQUEST OF
AMERICAN SELCO INC
BOOK 91 PAGE 503

BIFEB 18 AIO: 588

OFFICIAL RECORDS
EUREKA COUNTY, NEVADA
WILLIS A. DEPAUL-BREKORER
FILE NO. 78941
TEE: 3.00

AMSELCO MINERALS INC.

By Mike Perry
Agent for
Amselco Minerals Inc.

STATE OF NEVADA)
COUNTY OF _____) ss.

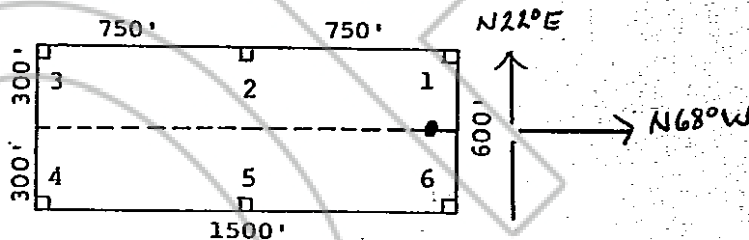
I hereby certify that the within instrument was filed and recorded at the request of: _____
FILE NO. _____
on _____
at _____
Docket _____ Page _____

Witness my hand and official seal the day and year aforesaid.
County Recorder
By BOOK 91 PAGE 503
Deputy Recorder

NOTICE IS HEREBY GIVEN that the BP No. 16 lode mining claim has been located by AMSELCO MINERALS INC., a Delaware corporation, whose address is 90 West Grove Street, Suite 100, Reno, Nevada 89509. The general course of this claim is N68°W. This claim is 1500 feet in length along the course of the claim, being 10 feet from the point of discovery in a S68°E direction to the East end line of this claim, and 1490 feet in a N68°W direction to the West end line of the claim. This claim is 600 feet in width, being 300 feet in width on each side of the center line of the claim.

This claim is located within the SW, SE Quarter of Section 17, Township 18 North, Range 52 East, Mount Diablo Base and Meridian, unknown Mining District, Eureka County, Nevada. The location monument of this claim is situated with reference to some natural object or permanent monument as follows: Corner no. 6 of this claim is located approximately 5.142 feet N 40 1/2 °W from Combs Peak UABM 8631

The corners of this claim are marked by 4"x4" posts or 4" trees with metal tags inscribed with the appropriate corner number as shown on the following sketch and the accompanying claim map.



The location work consisted of making the maps as provided in NRS 517.040.

Dated and posted on the ground this 27 day of December, 1980.

RECORDED AT REQUEST OF
AMERICAN SELCO INC
BOOK 91 PAGE 504

Witnesses:

81 FEB 18 AM: 58

OFFICIAL RECORDS
EUREKA COUNTY NEVADA
WILLIS A. O'PAUL RECORDER
FILE NO. 78942
FEE \$ 3.00

Locator:

AMSELCO MINERALS INC.

By

Mike Peig
Agent for
Amselco Minerals Inc.

STATE OF NEVADA)

COUNTY OF _____) ss.

I hereby certify that the within instrument was filed and recorded at the request of: _____

FILE NO. _____

on _____

at _____

Docket _____

Page _____

Witness my hand and official seal the day and year aforesaid.

County Recorder

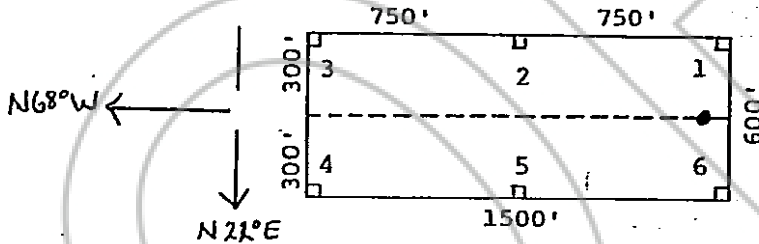
By

BOOK 91 PAGE 504
Deputy Recorder

NOTICE IS HEREBY GIVEN that the BP 17 No. 17 lode mining claim has been located by AMSELCO MINERALS INC., a Delaware corporation, whose address is 90 West Grove Street, Suite 100, Reno, Nevada 89509. The general course of this claim is N68°W. This claim is 1500 feet in length along the course of the claim, being 10 feet from the point of discovery in a S68°E direction to the East end line of this claim, and 1490 feet in a N68°W direction to the West end line of the claim. This claim is 600 feet in width, being 300 feet in width on each side of the center line of the claim.

This claim is located within the SW NW Quarter of Section 17, Township 18 North, Range 52 East, Mount Diablo Base and Meridian, unknown Mining District, Eureka County, Nevada. The location monument of this claim is situated with reference to some natural object or permanent monument as follows: Corner no. 6 of this claim is located approximately 5.794 feet N 31.°W from Combs Peak WABM 8631

The corners of this claim are marked by 4"x4" posts or 4" trees with metal tags inscribed with the appropriate corner number as shown on the following sketch and the accompanying claim map.



The location work consisted of making the maps as provided in NRS 517.040.

Dated and posted on the ground this 27 day of December, 1988.

Witnesses:

Locator:

AMSELCO MINERALS INC.

By Mike Perry
Agent for
Amselco Minerals Inc.

RECORDED AT REQUEST OF
AMERICAN SELCO INC
BOOK 91 PAGE 505

OFFICIAL RECORDS
EUREKA COUNTY, NEVADA
WILLIS A. NEPAULI-RECORDER
FILE NO. 78943
FEE \$ 3.00

81 FEB 18 AM 10:58

STATE OF NEVADA)
COUNTY OF _____) ss.

I hereby certify that the within instrument was filed and recorded at the request of: _____
FILE NO. _____
on _____
at _____
Docket _____ Page _____

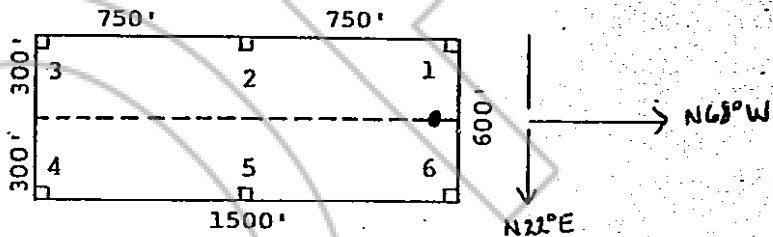
Witness my hand and official seal the day and year aforesaid.

County Recorder
By BOOK 91 PAGE 505
Deputy Recorder

NOTICE IS HEREBY GIVEN that the BP No. 18 lode mining claim has been located by AMSELCO MINERALS INC., a Delaware corporation, whose address is 90 West Grove Street, Suite 100, Reno, Nevada 89509. The general course of this claim is N68°W. This claim is 1500 feet in length along the course of the claim, being 10 feet from the point of discovery in a S68°E direction to the East end line of this claim, and 1490 feet in a N68°W direction to the West end line of the claim. This claim is 600 feet in width, being 300 feet in width on each side of the center line of the claim.

This claim is located within the SW SE, NW NE Quarter of Section 17, Township 18 North, Range 52 East, Mount Diablo Base and Meridian, unknown Mining District, Eureka County, Nevada. The location monument of this claim is situated with reference to some natural object or permanent monument as follows: Corner no. 6 of this claim is located approximately S, 784 feet N 31°W from Combs Peak VABM 8631

The corners of this claim are marked by 4"x4" posts or 4" trees with metal tags inscribed with the appropriate corner number as shown on the following sketch and the accompanying claim map.



The location work consisted of making the maps as provided in NRS 517.040.

Dated and posted on the ground this 21 day of December, 1980.

REGISTERED AT REQUEST OF
AMERICAN SELCO INC.
BOOK 91 PAGE 506

Witnesses:

81 F E D 18 A 18 1 5 8 0

OFFICIAL RECORDS
EUREKA COUNTY, NEVADA
WILLIS A. DEPAOLI - RECORDER
FILE NO. 78944
FEE \$ 3.00

Locator:

AMSELCO MINERALS INC.

By

Mike Perry
Agent for
Amselco Minerals Inc.

STATE OF NEVADA)
COUNTY OF _____) ss.

I hereby certify that the within instrument was filed and recorded at the request of: _____
FILE NO. _____
on _____
at _____
Docket _____ Page _____

Witness my hand and official seal the day and year aforesaid.

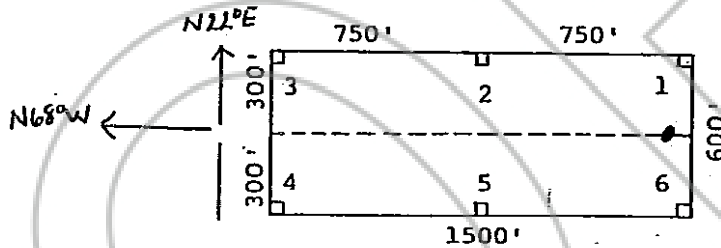
County Recorder

91 PAGE 506
Deputy Recorder

NOTICE IS HEREBY GIVEN that the BP 19 No. 19 lode mining claim has been located by AMSELCO MINERALS INC., a Delaware corporation, whose address is 90 West Grove Street, Suite 100, Reno, Nevada 89509. The general course of this claim is N68°W. This claim is 1500 feet in length along the course of the claim, being 10 feet from the point of discovery in a S68°E direction to the East end line of this claim, and 1490 feet in a N68°W direction to the West end line of the claim. This claim is 600 feet in width, being 300 feet in width on each side of the center line of the claim.

This claim is located within the NW Quarter of Section 17, Township 18 North, Range 52 East, Mount Diablo Base and Meridian, unknown Mining District, Eureka County, Nevada. The location monument of this claim is situated with reference to some natural object or permanent monument as follows: Corner no. 6 of this claim is located approximately 5.784 feet N 31°W from Combs Peak WABM 8631

The corners of this claim are marked by 4"x4" posts or 4" trees with metal tags inscribed with the appropriate corner number as shown on the following sketch and the accompanying claim map.



The location work consisted of making the maps as provided in NRS 517.040.

Dated and posted on the ground this 27 day of December, 1980.

Witnesses:

Locator:

AMSELCO MINERALS INC.

By

Mike Perry
Agent for
Amselco Minerals Inc.

RECORDED AT REQUEST OF
AMERICAN SELCO INC
BOOK 41 PAGE 507

81 FEB 18 AID: 80

OFFICIAL RECORDS
EUREKA COUNTY, NEVADA
WILLS & DEEDS RECORDER
FILE NO. 78945
FEE \$ 3.00

STATE OF NEVADA)
COUNTY OF _____) ss.

I hereby certify that the within instrument was filed and recorded at the request of:

FILE NO. _____
on _____
at _____
Docket _____ Page _____

Witness my hand and official seal the day and year aforesaid.

County Recorder

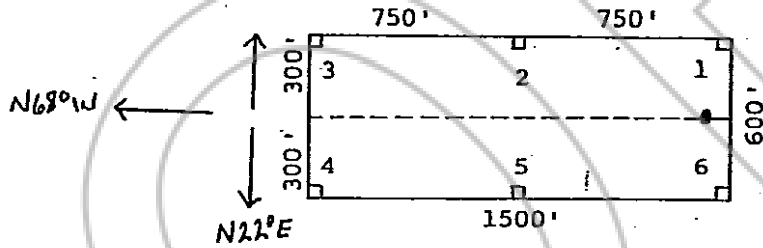
By 91 PAGE 507
Deputy Recorder

STATE OF NEVADA
 78947 CERTIFICATE OF MINING LOCATION
 LODE CLAIM ON PUBLIC DOMAIN

NOTICE IS HEREBY GIVEN that the BP No. 21 lode mining claim has been located by AMSELCO MINERALS INC., a Delaware corporation, whose address is 90 West Grove Street, Suite 100, Reno, Nevada 89509. The general course of this claim is N68°W. This claim is 1500 feet in length along the course of the claim, being 10 feet from the point of discovery in a S68°E direction to the East end line of this claim, and 1490 feet in a N68°W direction to the West end line of the claim. This claim is 600 feet in width, being 300 feet in width on each side of the center line of the claim.

This claim is located within the NW & NE Quarter of Section 17, Township 18 North, Range 52 East, Mount Diablo Base and Meridian, unknown Mining District, Eureka County, Nevada. The location monument of this claim is situated with reference to some natural object or permanent monument as follows: Corner no. 6 of this claim is located approximately 6,427 feet N 22°W from Combs Peak VABM=8631

The corners of this claim are marked by 4"x4" posts or 4" trees with metal tags inscribed with the appropriate corner number as shown on the following sketch and the accompanying claim map.



The location work consisted of making the maps as provided in NRS 517.040.

Dated and posted on the ground this 27 day of December, 1980.

Witnesses: _____

 81 FEB 18 AM: 8:58

Locator:
 AMSELCO MINERALS INC.
 By Mike Perry
 Agent for
 Amselco Minerals Inc.

RECORDED AT REQUEST OF
 AMERICAN SELCO INC
 BOOK 91 PAGE 509

OFFICIAL RECORDS
 EUREKA COUNTY, NEVADA
 WILLIS ALDEPAOLI-RECORDER
 FILING 78947
 FEE \$3.00

STATE OF NEVADA)
) ss.
 COUNTY OF _____)

I hereby certify that the within instrument was filed and recorded at the request of: _____
 Witness my hand and official seal the day and year aforesaid.

FILE NO. _____
 on _____
 at _____
 Docket _____ Page _____

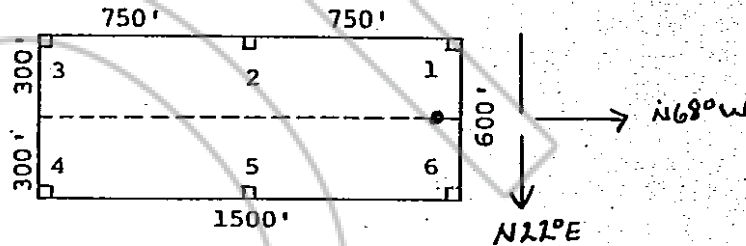
County Recorder
BOOK 91 PAGE 509
 Deputy Recorder

STATE OF NEVADA
CERTIFICATE OF MINING LOCATION
LODE CLAIM ON PUBLIC DOMAIN

NOTICE IS HEREBY GIVEN that the BP No. 22 lode mining claim has been located by AMSELCO MINERALS INC. a Delaware corporation, whose address is 90 West Grove Street, Suite 100, Reno, Nevada 89509. The general course of this claim is N68°W. This claim is 1500 feet in length along the course of the claim, being 10 feet from the point of discovery in a S68°E direction to the East end line of this claim, and 1490 feet in a N68°W direction to the West end line of the claim. This claim is 600 feet in width, being 300 feet in width on each side of the center line of the claim.

This claim is located within the NE Quarter of Section 17, Township 18 North, Range 52 East, Mount Diablo Base and Meridian, unknown Mining District, Eureka County, Nevada. The location monument of this claim is situated with reference to some natural object or permanent monument as follows: Corner no. 6 of this claim is located approximately 6427 feet N 22°W from Combs Peak WABM-8631.

The corners of this claim are marked by 4"x4" posts or 4" trees with metal tags inscribed with the appropriate corner number as shown on the following sketch and the accompanying claim map.



The location work consisted of making the maps as provided in NRS 517.040.

Dated and posted on the ground this 27 day of December, 1990.

RECORDED AT REQUEST OF
AMERICAN SELCO INC
BOOK 91 PAGE 510
81 FEB 18 AID: 508
OFFICIAL RECORDS
EUREKA COUNTY, NEVADA
WILLIS A. DEPAOLI-RECORDER
FILE NO. 78948
FEE \$ 3.00

Witnesses: _____

Locator:
AMSELCO MINERALS INC.

By Mike Perry
Agent for
Amselco Minerals Inc.

STATE OF NEVADA)
COUNTY OF _____) ss.

I hereby certify that the within instrument was filed and recorded at _____ seal the day and year aforesaid. the request of: _____

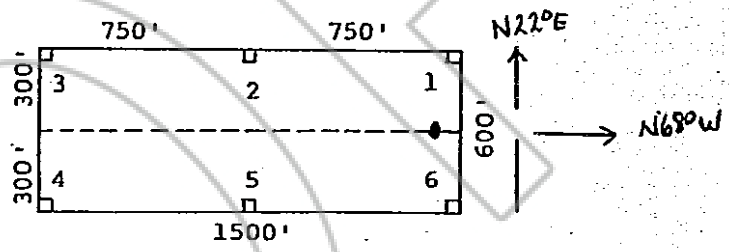
FILE NO. _____
on _____
at _____
Docket _____ Page _____

County Recorder
By BOOK 91 PAGE 510
Deputy Recorder

NOTICE IS HEREBY GIVEN that the BP No. 24
lode mining claim has been located by AMSELCO MINERALS INC.,
a Delaware corporation, whose address is 90 West Grove Street,
Suite 100, Reno, Nevada 89509. The general course of this claim
is N68°W. This claim is 1500 feet in length
along the course of the claim, being 10 feet from the point
of discovery in a S68°E direction to the East end
line of this claim, and 1490 feet in a N68°W
direction to the West end line of the claim. This claim is
600 feet in width, being 300 feet in width on each side of the
center line of the claim.

This claim is located within the NE Quarter
of Section 17, Township 18 North, Range 52
East, Mount Diablo Base and Meridian, unknown Mining District,
Eureka County, Nevada. The location monument of this claim is
situated with reference to some natural object or permanent monument
as follows: Corner no. 6 of this claim is located approximately
6.427 feet N 22 °W from Combs Peak VABM 8631

The corners of this claim are marked by 4"x4" posts or 4" trees
with metal tags inscribed with the appropriate corner number as
shown on the following sketch and the accompanying claim map.



The location work consisted of making the maps as provided in
NRS 517.040.

Dated and posted on the ground this 27 day of December,
1980.

RECORDED AT REQUEST OF
AMERICAN SELCO INC
BOOK 91 PAGE 372

Witnesses:
81 FEB 18 A 10:58
OFFICIAL RECORDS
EUREKA COUNTY, NEVADA
WILLIS A. DEPAUL, RECORDER
FILE NO. 78950
FEES 3.00

Locator:
AMSELCO MINERALS INC.
By Mike Peig
Agent for
Amselco Minerals Inc.

STATE OF NEVADA)
COUNTY OF _____) ss.

I hereby certify that the within
instrument was filed and recorded at
the request of: _____
FILE NO. _____
on _____
at _____
Docket _____ Page _____

Witness my hand and official
seal the day and year aforesaid.

County Recorder
By BOOK 91 PAGE 512
Deputy Recorder

