

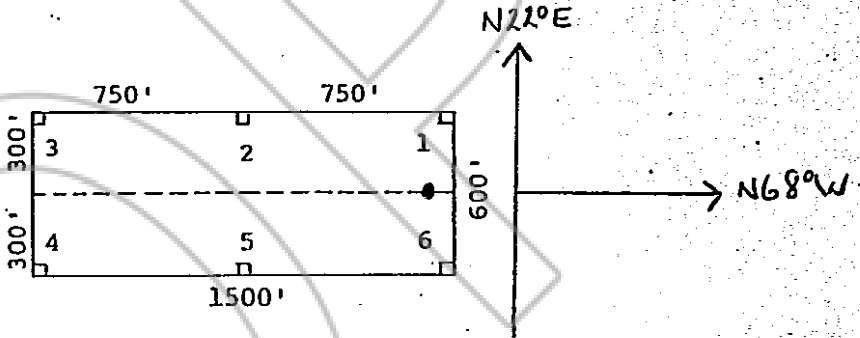
78934

STATE OF NEVADA  
CERTIFICATE OF MINING LOCATION  
LODE CLAIM ON PUBLIC DOMAIN

NOTICE IS HEREBY GIVEN that the BP No. 8  
lode mining claim has been located by AMSELCO MINERALS INC.,  
a Delaware corporation, whose address is 90 West Grove Street,  
Suite 100, Reno, Nevada 89509. The general course of this claim  
is N68°W. This claim is 1500 feet in length  
along the course of the claim, being 10 feet from the point  
of discovery in a S68°E direction to the East  
end line of this claim, and 1490 feet in a N68°W  
direction to the West end line of the claim. This claim is  
600 feet in width, being 300 feet in width on each side of the  
center line of the claim.

This claim is located within the NW Quarter  
of Section 20, Township 18 North, Range 52  
East, Mount Diablo Base and Meridian, unknown Mining District,  
Eureka County, Nevada. The location monument of this claim is  
situated with reference to some natural object or permanent monument  
as follows: Corner no. 6 of this claim is located approximately  
4.713 feet N 69°W from Combs Peak VABM 8631

The corners of this claim are marked by 4"x4" posts or 4" trees  
with metal tags inscribed with the appropriate corner number as  
shown on the following sketch and the accompanying claim map.



The location work consisted of making the maps as provided in  
NRS 517.040.

Dated and posted on the ground this 23 day of December,  
1980.

RECORDED AT REQUEST OF  
AMERICAN SELCO INC  
BOOK 91 PAGE 496

WITNESSES:  
81 FEB 18 A 10:58

OFFICIAL RECORDS  
EUREKA COUNTY, NEVADA  
WILLIS A. DEPAOLI, RECORDER  
FILE NO. 78934  
FEB 15 3:00

Locator:  
AMSELCO MINERALS INC.  
By Mike Perry  
Agent for  
Amselco Minerals Inc.

STATE OF NEVADA )  
COUNTY OF \_\_\_\_\_ ) ss.

I hereby certify that the within  
instrument was filed and recorded at  
the request of: \_\_\_\_\_  
FILE NO. \_\_\_\_\_  
on \_\_\_\_\_  
at \_\_\_\_\_  
Docket \_\_\_\_\_ Page \_\_\_\_\_

Witness my hand and official  
seal the day and year aforesaid.  
\_\_\_\_\_  
County Recorder  
By BOOK 91 PAGE 496  
Deputy Recorder