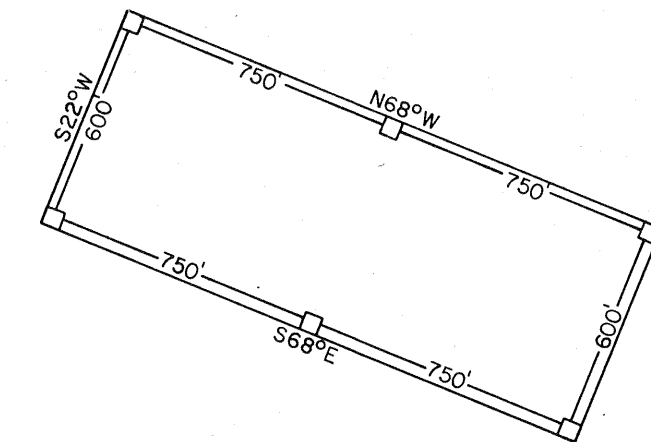


SCALE 1" = 500'



ALL CLAIMS ARE STAKED AS BELOW



○ DENOTES LOCATION MONUMENT



AMERICAN SELCO INC.

Claim map for B.P. 27 thru 31  
Unpatented Mining Claims  
Located in unsurveyed sections 8 and 17  
T18N, R52E  
Eureka County, Nevada

The N.E. corner (#1 corner) of B.P. 31 is located approximately 8820 feet N9°15'W from Combs Peak VABM 8631

Claims filed by:  
American Selco Inc.  
90 West Grove Street Suite 100  
Reno, Nevada 89509

All claims measure 600' x 1500'  
All claims marked by 4" x 4" posts or 4" trees

Dated and posted on the ground  
April 29, 1981

Filed  
AT THE REQUEST OF **AMERICAN SELCO INC**

on June 23, 1981, at 34 mins. past 10 A.M. in

Book OFFICIAL RECORDS, page       , RECORDS OF

EUREKA COUNTY, NEVADA, WILLIS A. DePAOLI Recorder

File No. 80865

Fee \$ 75.00