

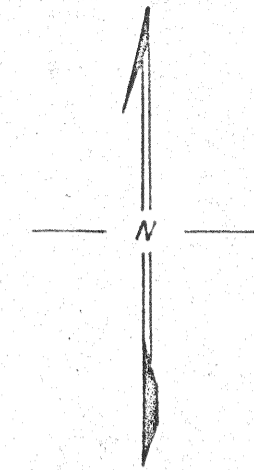
PREVIOUSLY LOCATED  
BP CLAIM

T18N

Filed  
AT THE REQUEST OF  
**AMERICAN SELCO INC**  
on August 28, 1981  
at 07 mins. past 11 A. M.  
in Book of OFFICIAL  
RECORDS, RECORDS  
OF EUREKA COUNTY, NEVADA  
WILL A. DePAOLI  
Recorder  
File No. 81694 Fee \$ 60.00

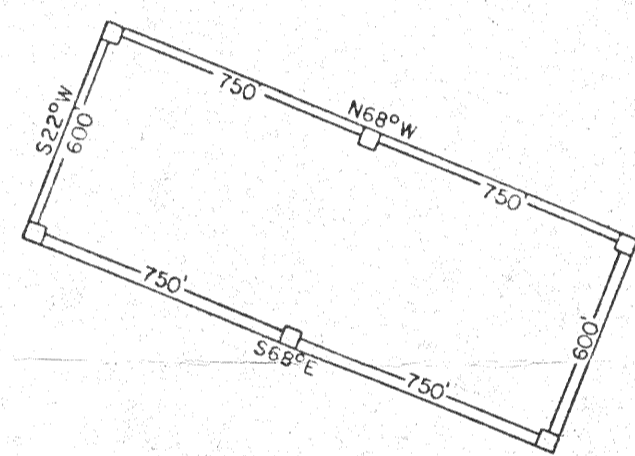
8 9  
17 16

R52E



SCALE 1" = 500'  
0 500 1000 1500 FEET

ALL CLAIMS ARE STAKED AS BELOW



○ DENOTES LOCATION MONUMENT

**AMERICAN SELCO INC.**

Claim map for BP 32-25  
Unpatented Mining Claims.  
Located in unsurveyed section 8 T18N R52E  
Eureka County, Nevada

The #1 corner of BP 32 is the common corner  
#1 of the previously located BP 31

Claims filed by:  
American Selco Inc.  
90 West Grove Street, Suite 100  
Reno, Nevada 89509

All claims measure 600' x 1500'  
All claims marked by 4" x 4" posts or 4" trees.  
Dated + posted on the ground June, 10, 1981.

81694