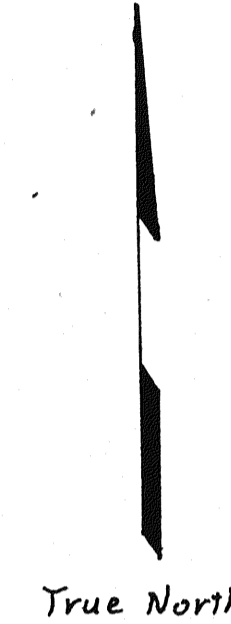
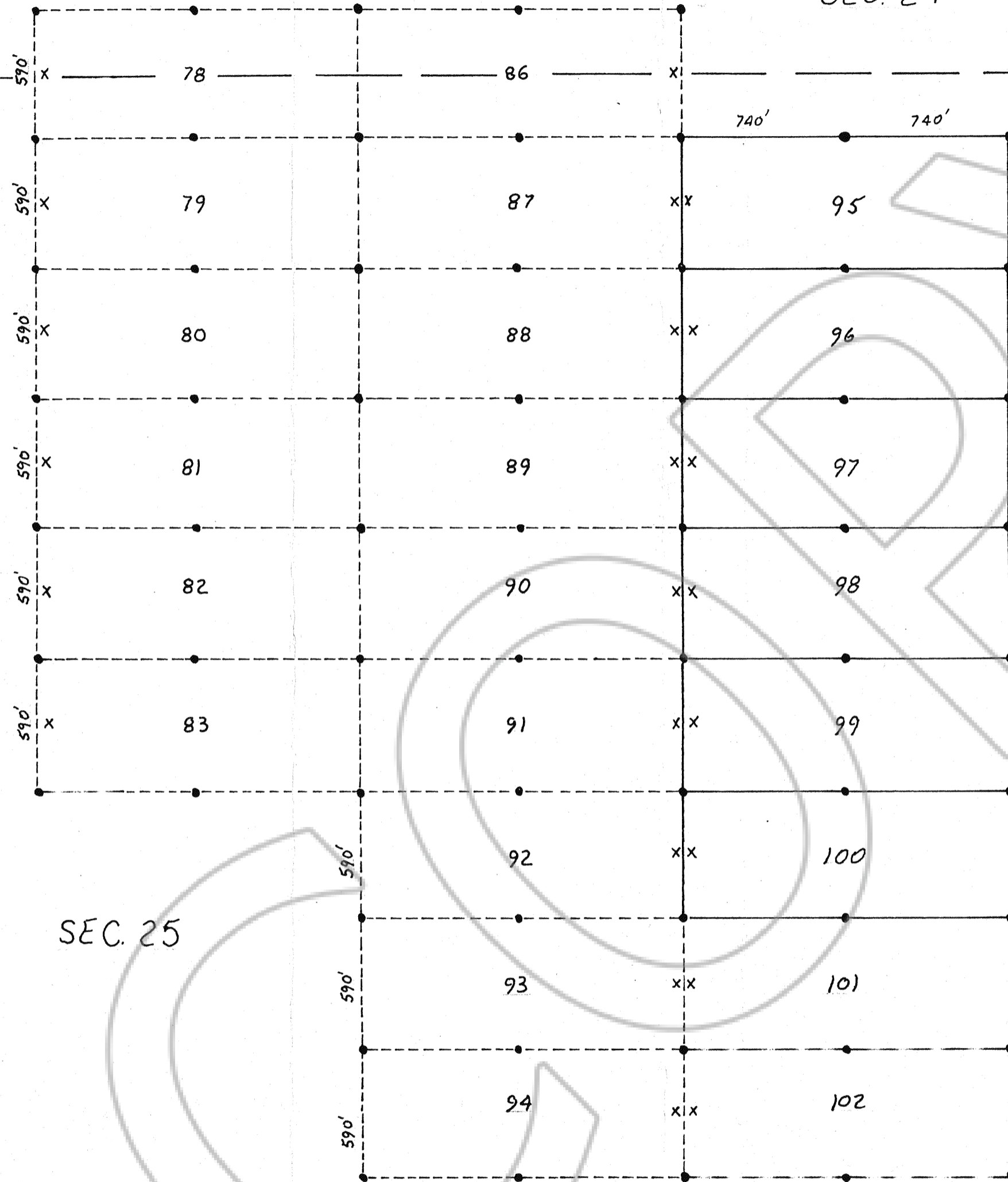


SEC. 23

SEC. 24



Note: All posts are 4" dia. PVC pipe.

- X Location monument
- Claim corner

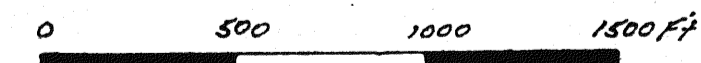
ALL MINERALS CORPORATION  
 P. O. BOX 7680  
 SALT LAKE CITY, UTAH 84107-0680

NANCY NO'S. 95-100 LODE CLAIMS

T. 21N. R. 52E.

EUREKA CO., NEVADA

SCALE 1" = 500'



NOV. 1981  
 (AMENDED)

AT THE REQUEST OF  
 All Minerals Corporation  
 on November 23, 1981  
 at 25 mins. past 10 A. M.  
 RECORDS  
 OF EUREKA COUNTY, NEVADA  
 WILL A. DePAOLI  
 Recorder  
 File No. 82477 Fee \$ 4.00

SEC. 26

SEC. 25