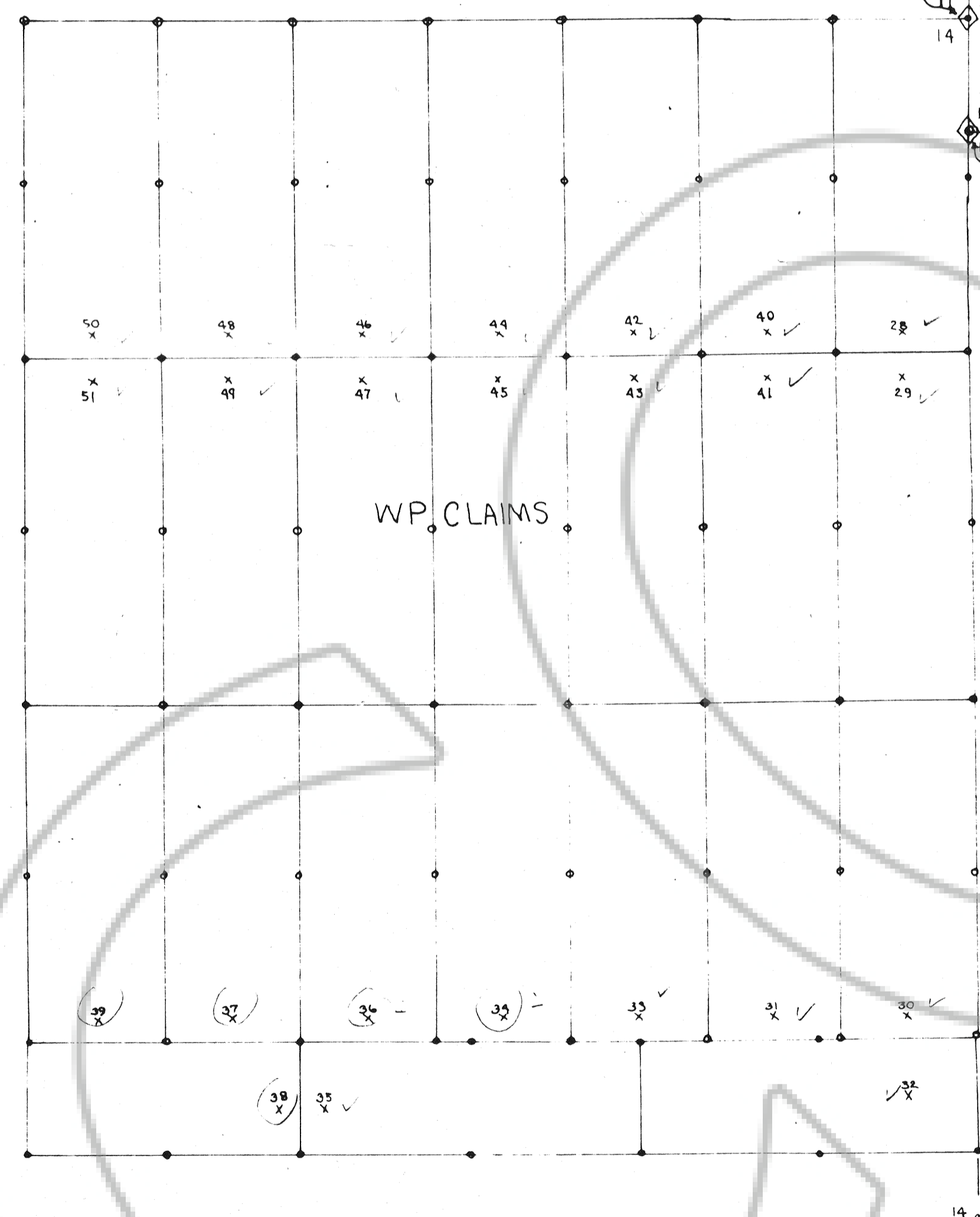
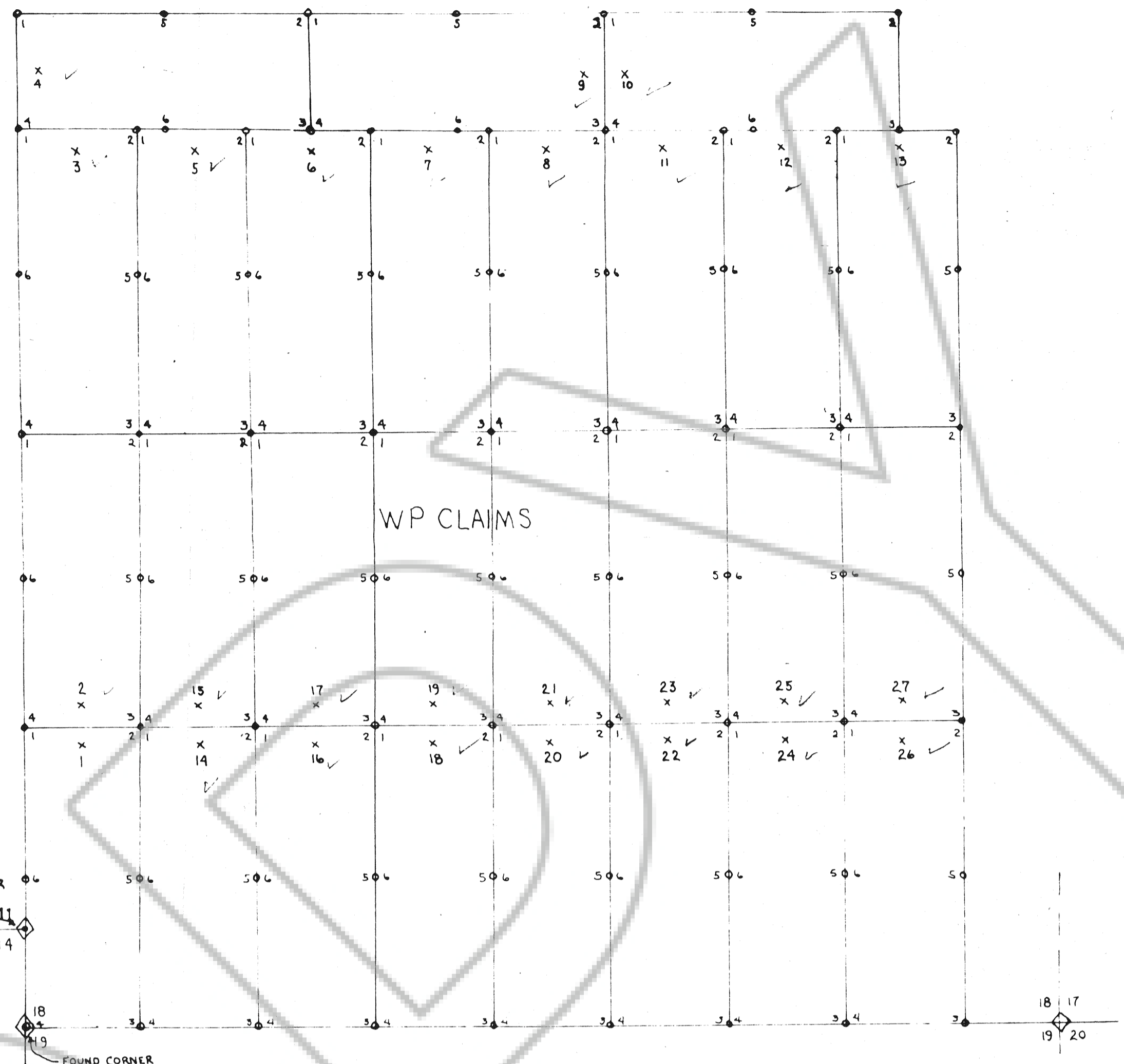


11.11.1982
8.11.1982



WP CLAIMS
EUREKA COUNTY, NEVADA
SEC. 14, T. 34N R. 50E M.D.B.M.
SEC. 18, T. 34N R. 51E M.D.B.M.
WAYNE PEARCE + MIKE PETERSON - LOCATORS
P.O. BOX 712, ELKO, NEV. 89501
X LOCATION POST
O BOUNDARY POST

SCALE
1 INCH = 500'
JAN, 1981

INTERNATIONAL METALS & ENERGY
107th
Wichita Falls, Texas 75081

Filed
AT THE REQUEST OF Bullion Monarch Co.
on September 20 1982, at 33 mins. past 8 AM. In
Book 107 of ORIGINAL RECORDS, page 107, RECORDS OF
EUREKA COUNTY, NEVADA. WILLIS A. DePAOLI Recorder
File No. 85367 Fee \$ 75.00

AMENDED SEPT. 16, 1982
WP # 37, 38 And 39 as new claims
WP # 34 and 36 in SEC. 14