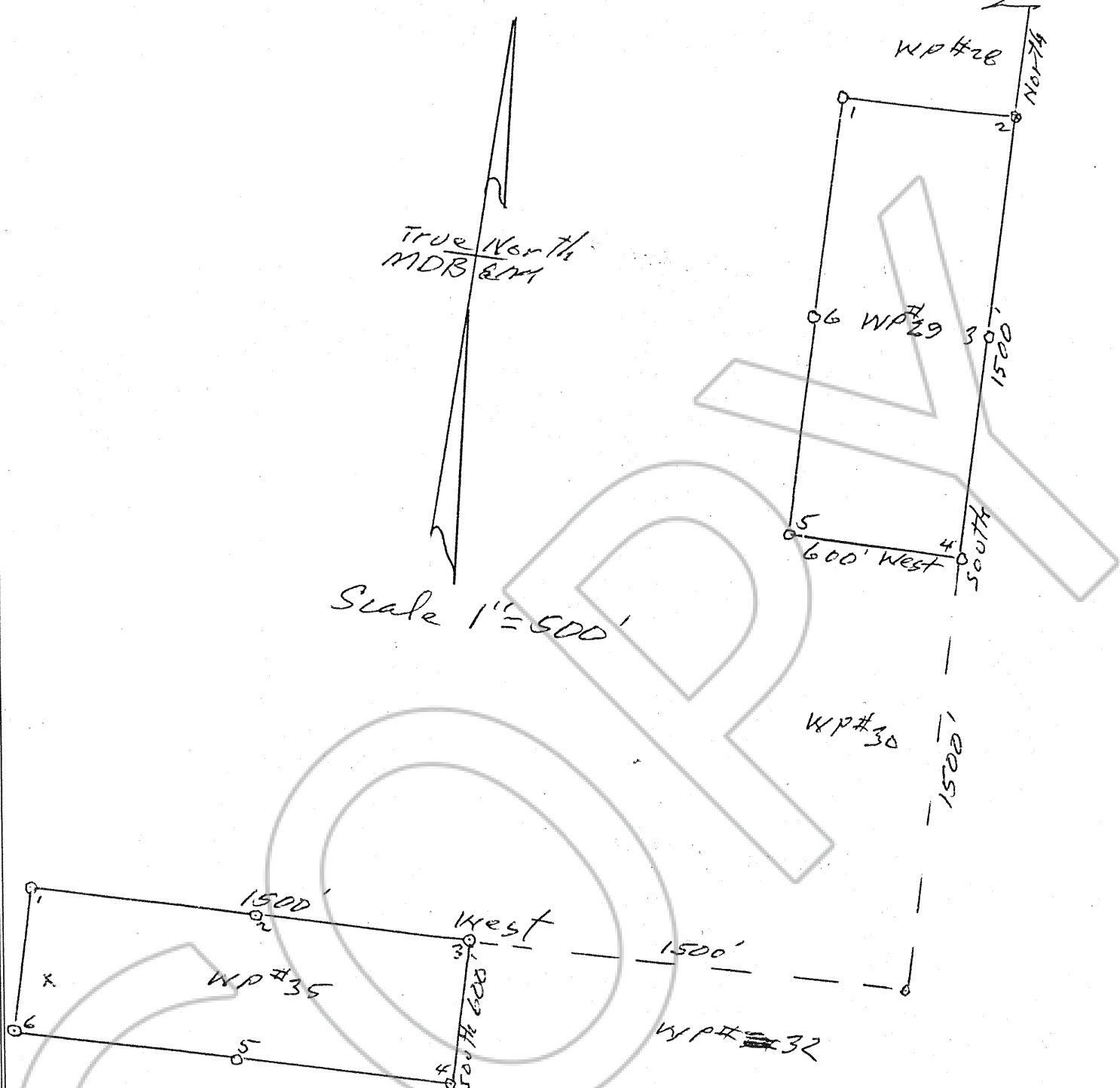


Found Cor. 14 1521.0'

True North  
MDB & M

Scale 1" = 500'



Describe here the position of the Claim Location Monument, if one is used.

Map of the WP # 29 and #35 Mining Claim Group,  
 in Section 14 Township, 34N Range 50E,  
 in the \_\_\_\_\_ Mining District,  
Eureka County, Nevada.

Located on the 4 day of Nov, 1982, by  
Stirling G. McKnight (Agent)  
 Locator name and address (please print)

International Metals & Energy  
1020 Wichita Tower  
Wichita Falls, Texas 76301

RECORDER'S STAMP  
 Filed  
 AT REQUEST OF  
Stirling G. McKnight  
 82 NOV 10 11:04

OFFICIAL RECORDS  
 EUREKA COUNTY, NEVADA  
 WILLIS A. DEPAOLI - RECORDER  
 FILE NO. 85704  
 FEE \$ 30.00