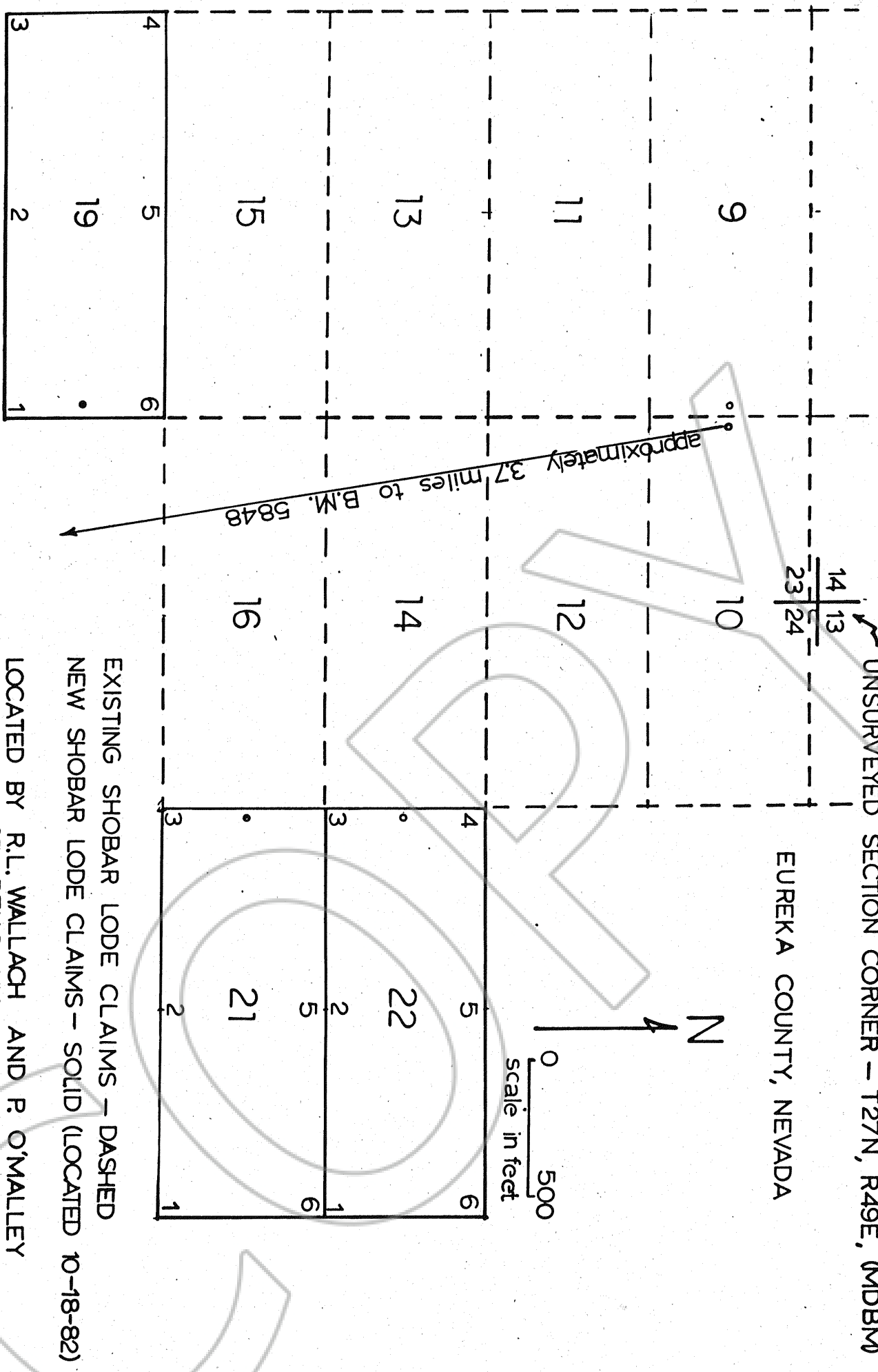


SHOBAR LODGE MINING CLAIMS



APPROXIMATE LOCATION OF UNSURVEYED SECTION CORNER - T27N, R49E, (MIDBM)
 EUREKA COUNTY, NEVADA

EXISTING SHOBAR LODGE CLAIMS - DASHED
 NEW SHOBAR LODGE CLAIMS - SOLID (LOCATED 10-18-82)

LOCATED BY R.L. WALLACH AND P. O'MALLEY
 P.O. BOX 12307 RENO, NV 89510

FOR:
 STEPHEN D. DAMELE
 SHEEP CREEK RANCH, CARLIN, NV

drafted by RLW

Filed
 RECORDED AT THE REQUEST OF
 Galli Exploration Associates
 on January 6, 1983
 at 34 mins. past 11 A.M.
 Recorder
 M. J. Roberts
 OF EUREKA COUNTY, NEVADA
 RECORDS
 FILE NO. 86033 Fee \$ 45.00