

6

5

4

7

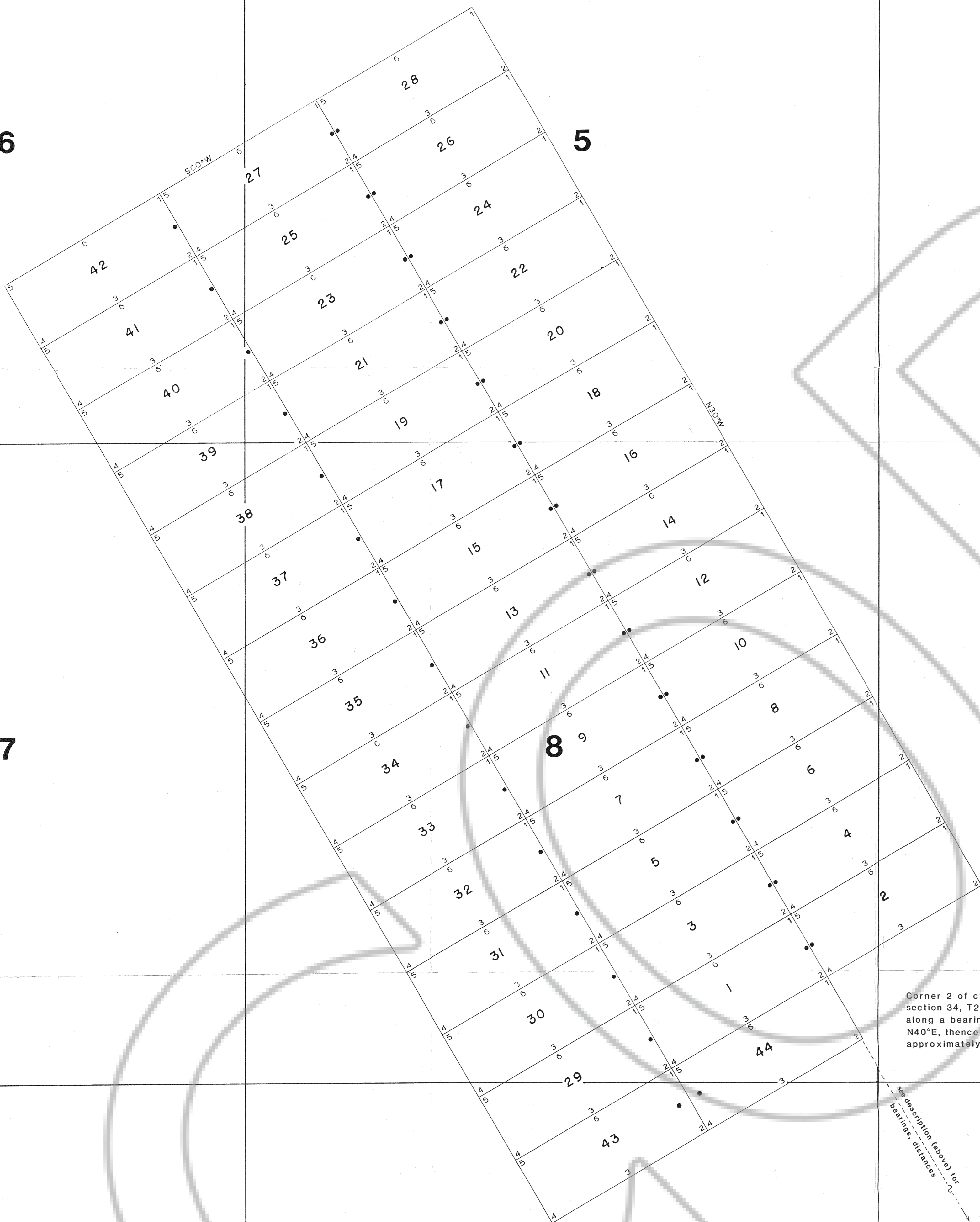
8

9

18

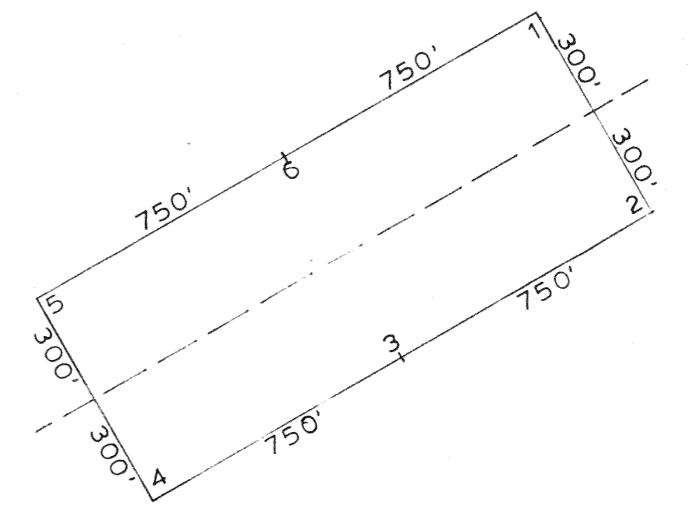
17

16

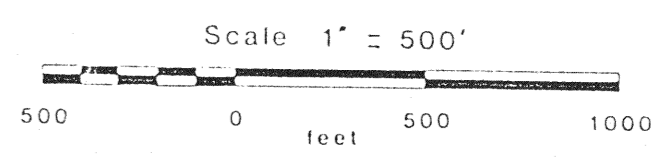


Corner 2 of claim no. 44 is located as follows: beginning at the SE corner of section 34, T22N, R50E, Eureka County, Nevada, proceed approximately 9200' along a bearing N7°14'31"W, thence approximately 4500' along a bearing N40°E, thence approximately 16,500' along a bearing N50°W, thence approximately 970' along a bearing S30°E to said corner no. 2.

See description (label) for bearings, distances



Discovery monument 10 feet from end center



Filed AT THE REQUEST OF Mapco Minerals Corp.
 on July 23, 1984, at 01 mins. past 9 A.M. in
 _____, RECORDS OF
 EUREKA COUNTY, NEVADA. M.N. REBALEATI, Recorder
 File No. 94024 Fee \$ 660.00

Located June 18 (#1-28) and
 June 29 (#29-44), 1984 by:
 MAPCO Minerals Corporation
 1667 Cole Blvd. Suite 150
 Golden, CO 80401

CRAM LODGE CLAIM GROUP
T22N, R50E, unsurveyed sec. 5-9, 17
Eureka County, Nevada

Drafting by M. Montecinos, J. DeJournett