

AFFIDAVIT OF LABOR

For Year Ending September 1, 1985

To Whom It May Concern:

VRE/Andrus Associates, owner of the following Lode Mining Claims:

WELS # 107-126 NMC # 292057-292076,
 Sec. 6, T 34 N, R 50 E,
 Located October 27, 1983,
 Recorded Eureka County Records, Book 118, Pages 109-128,

has had the following geophysical surveys (see attached sketch) made on and for the benefit of these 20 contiguous claims in November 1984, with interpretation completed in August 1985:

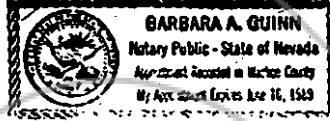
VLF-EM 1.6 line miles

having a value of about \$2500.

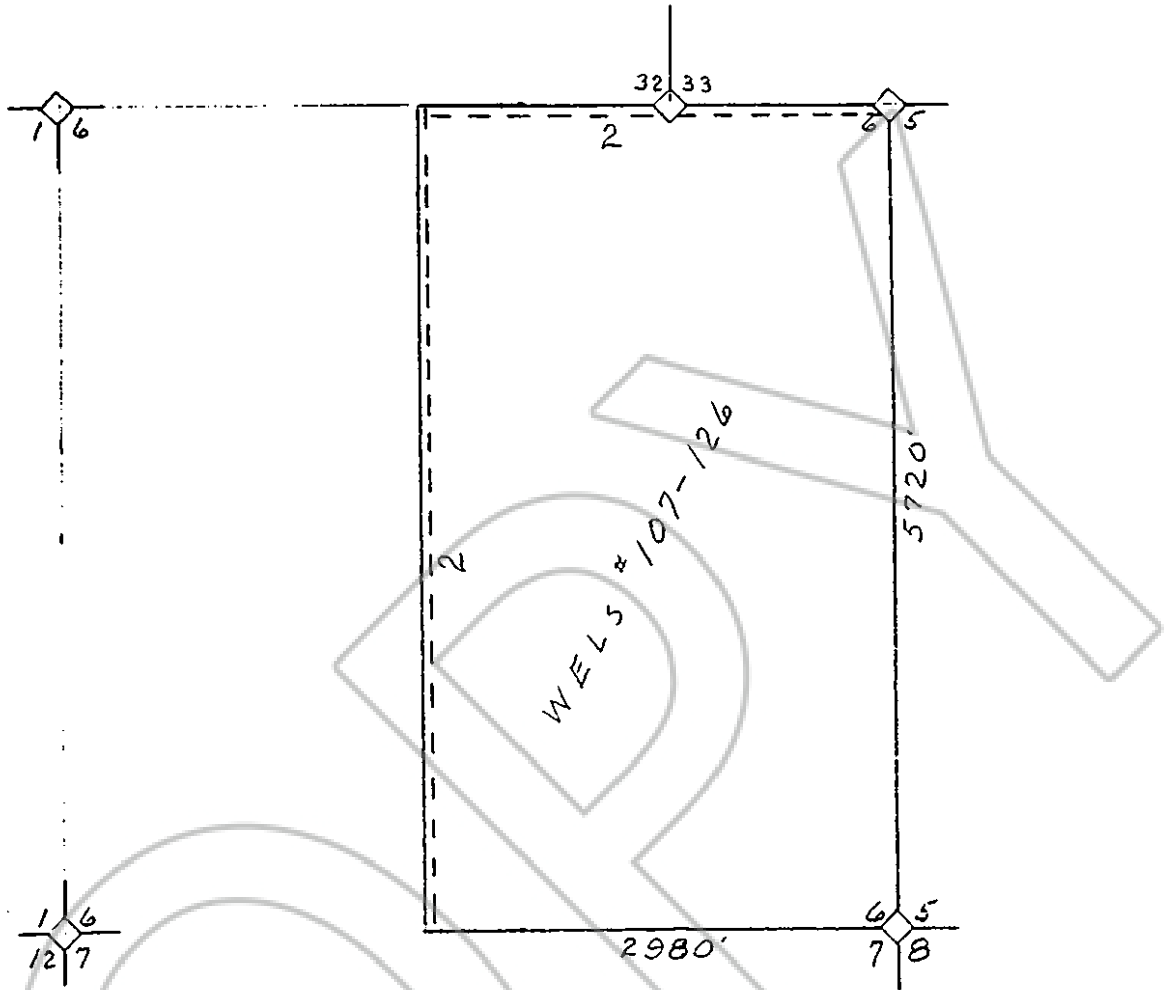
RESULTS: The E-W line indicates a fault structure near the east edge of the claim block. More work of this type will be necessary to aid geologic mapping, thus far done only in a very rough manner.

Notarization:

John E. King



WELS # 107-126
Sec. 6, T34N, R50E
G E O P H Y S I C S



EXPLANATION

--- Survey completed Ass. Yr. 1985

- 1 Magnetics
- 2 VLF-EM

PERSONNEL & OTHER DATA

VSK/Andrus Associates personnel responsible for acquisition of data, interpretation, geologic mapping and exploration planning are listed below with their qualifications.

Gerald B. Hartley, Jr. obtained his B.S. degree in Mining Engineering from the Mackay School of Mines, University of Nevada, in 1943, and has over 50 years experience in the mineral industry. He is a Registered Mining Engineer and Land Surveyor in Nevada, #535.

Victor E. Kral obtained his B.S. degree in Mining Engineering from the Mackay School of Mines in 1938 and his Professional Degree from the same institution in 1951. Nearly all his 40 plus years experience has been in mineral exploration. He is a registered Mining Engineer and Land Surveyor in Nevada, #398, and a Registered Geologist in Arizona and Maine.

Thomas L. Lawler obtained his B. S. Degree with a Geology Major from Wisconsin State, Superior, in 1960 and his M.S. in Geology-Geophysics from Michigan State in 1962. He has 25 years experience in mineral exploration involving geophysics and geochemistry. Approximately his last 10 years had been in Western exploration for gold deposits. Lawler does some of the final geophysical interpretation.

Robert G. Reeves obtained his B.S. degree in Mining Engineering from the Mackay School of Mines in 1949, his M.S. in Geology from Stanford University in 1950, and his PhD in Geology and Geophysics from the same institution in 1965. During his approximate 40 years experience in the mining industry he was with the U.S. Geological Survey for many years, professor of geology and geophysics at Colorado School of Mines, and recently retired from University of Texas, Permian Basin Branch, after several years as Dean of Engineering and Science. Reeves now does most of our final geophysical interpretation.

Ralph J. Roberts obtained his B.S. and M.S. degrees in geology from the University of Washington in 1935 and 1937, respectively, and his PhD from Yale University in 1949. He worked for the U.S. Geological Survey in Alaska, the United States, Central America and Saudia Arabia, partly in regional stratigraphic and structural studies designed to determine the localization of ore deposits, and partly in the study of the genesis of ore deposits. He was involved in regional studies which led to the discoveries of major ore deposits in the Carlin area, at Battle Mountain, and in Saudia Arabia. Roberts does most of the geologic mapping.

Richard F. Seidl, Mining Geologist, has been with VSK/Andrus Associates for about two and one half years. He received his B.S. degree in Geology, with a minor in Chemistry from Case Western Reserve University in 1976. He worked for several exploration firms, and precious metal mines, and a large barite mine before obtaining his M.S. degree from Mackay School of Mines in 1982. He performs geophysical surveys, geologic mapping, and general exploration activities.

PERSONNEL & OTHER DATA CONT.

Much of the 1984-'85 year (ending September 1, 1985) assessment work involved geophysical surveys and geologic mapping. Regarding the geophysical surveys, for those interested, average line-mile costs published by the Society of Exploration Geophysists in the "Leading Edge", July 1984 issue, are given:

Induced Polarization	\$2,444 / line-mile
Magnetic, ground	\$1,045 / line-mile
VLF-EM	\$1,552 / line-mile

These costs include both data acquisition and interpretation; our costs were held well below these.

RECORDED AT REQUEST OF
VEK/Andrus Associates
Lump 138 509

65 SEP 16 10:45

CLERK OF RECORDS
RUBEN COUNTY, NEVADA
M.N. REGALATI, RECORDER
FILE NO. 100306
FEE \$ 25.00

BOOK | 38 PAGE 5 | 2