

100972

STATE OF NEVADA CERTIFICATE OF MINNING LOCATION LODE CLAIM ON PUBLIC DOMAIN

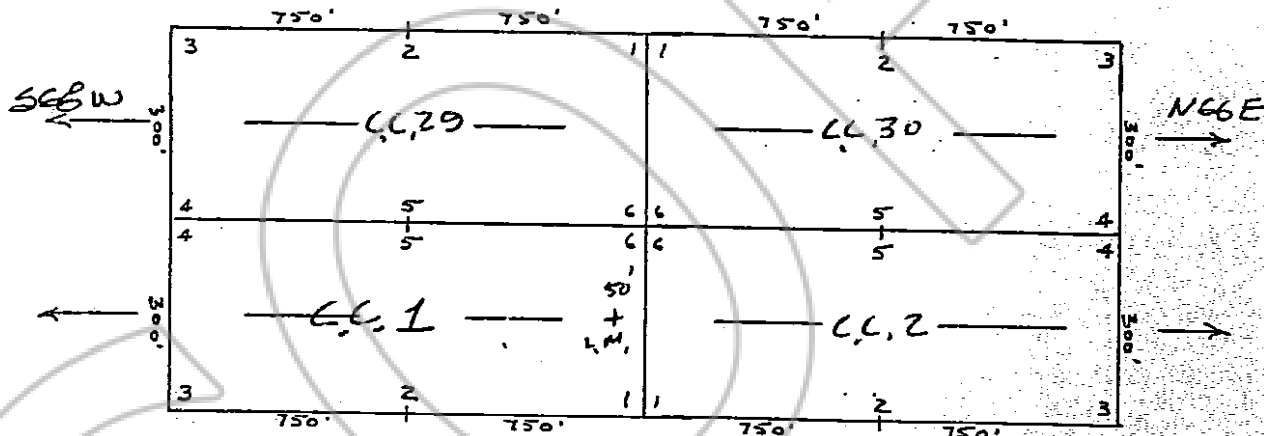
Notice is hereby given that the COAL CANYON No. 1 lode mining claim has been located by H. WALTER SCHULL, a citizen of the United States and whose address is: 901 Walker Ave. Reno, Nevada, 89509.

The general course of this claim is N66°E - S66°W. This claim is 1,500 feet in length along the course of the claim. The point of discovery is 50' feet in a N66°E direction to the NE end line of this claim, and 1450' feet in a S66°W direction to the SW end line of this claim. This claim is 600 feet in width, being 300 feet in width on each side of the center line of the claim.

This claim is located within the:
SW Quarter of Section 17 of Township 25N, Range 49E ;
SE Quarter of Section 17 of Township 25N, Range 49E ;
Quarter of Section _____ of Township 25N, Range 49E ; and
Quarter of Section _____ of Township 25N, Range 49E .
Mount Diablo Base and Meridian, in the UNKNOWN Mining District
of EUREKA County, Nevada.

The location monument of this claim is situated with reference to some natural object or permanent monument sa follows: 1680' feet S24°E, and 3570' feet S66°W from the NE corner of section 17 T25N R 49E

The corners of this claim are marked by 4" diameter posts of wood or PVC, or 4" diameter blazed and topped trees with metal tags inscribed with the appropriate corner number as shown on the following sketch and the accompanying claim map.



The location work consisted of making the maps as provided in NRS 517.040.

Dated and posted on the ground this 25 day of Oct, 1985.
Dated and signed this 5 day of November, 1985:

RECORDED AT REQUEST OF
H. Walter Schull
BOOK 140 PAGE 327
25 A 9 : 08
CLERK OF COUNTY RECORDS
EUREKA COUNTY, NEVADA
LOCATOR NO. 100972
5.25

RECORDER'S STAMP:

BOOK 140 PAGE 327

100973

STATE OF NEVADA CERTIFICATE OF MINING LOCATION LODE CLAIM ON PUBLIC DOMAIN

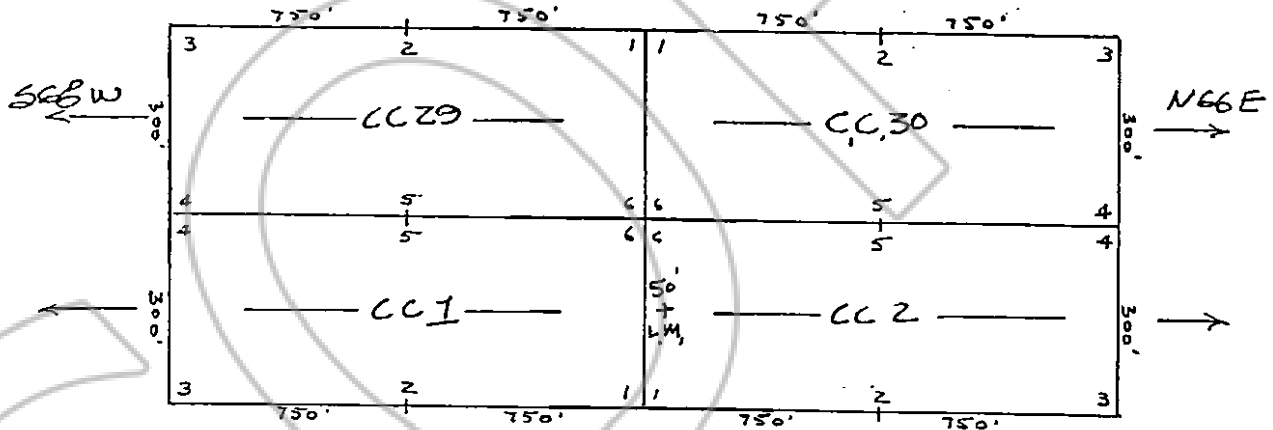
Notice is hereby given that the COAL CANYON No. 2 lode mining claim has been located by H. WALTER SCHULL, a citizen of the United States and whose address is: 901 Walker Ave. Reno, Nevada, 89509.

The general course of this claim is N66°E - S66°W. This claim is 1,500 feet in length along the course of the claim. The point of discovery is 1450' ~~1500'~~ feet in a N66°E direction to the NE end line of this claim, and 50' feet in a S66°W direction to the SW end line of this claim. This claim is 600 feet in width, being 300 feet in width on each side of the center line of the claim.

This claim is located within the:
SE Quarter of Section 17 of Township 25N, Range 40E;
NE Quarter of Section 17 of Township 25N, Range 40E;
Quarter of Section _____ of Township 25N, Range 40E; and
Quarter of Section _____ of Township 25N, Range 40E
Mount Diablo Base and Meridian, in the UNKNOWN Mining District
of EUREKA County, Nevada.

The location monument of this claim is situated with reference to some natural object or permanent monument sa follows: 1680' feet S24°E, and 3470' feet S66°W from the NE corner of section 17 T25N R40E

The corners of this claim are marked by 4" diameter posts of wood or PVC, or 4" diameter blazed and topped trees with metal tags inscribed with the appropriate corner number as shown on the following sketch and the accompanying claim map.



The location work consisted of making the maps as provided in NRS 517.040.

Dated and posted on the ground this -25 day of Oct, 1985.
Dated and signed this 5 day of November, 1985: H. Walter Schull

RECORDER'S STAMP:

RECORDED AT REQUEST OF
H. Walter Schull
BOOK 140 PAGE 328
NOV 25 A 9: 08
SPECIAL RECORDS
FURNISH COUNTY OF NEVADA
RECORDS SECTION
100973
5-25

BOOK 140 PAGE 328

624 RV-2

100974

STATE OF NEVADA CERTIFICATE OF MINNING LOCATION LODE CLAIM ON PUBLIC DOMAIN

Notice is hereby given that the COAL CANYON No. 3 lode mining claim has been located by H. WALTER SCHULL, a citizen of the United States and whose address is: 901 Walker Ave. Reno, Nevada, 89509.

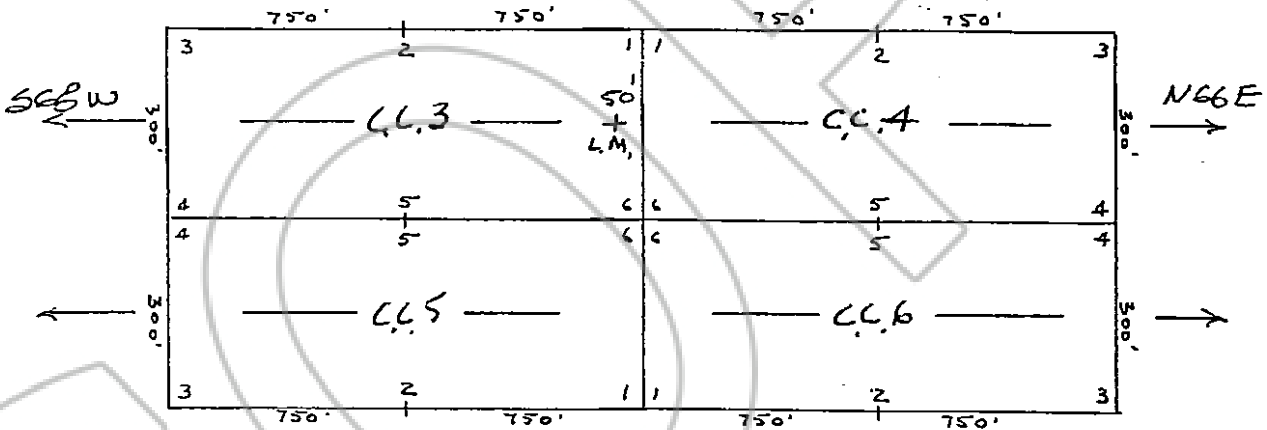
The general course of this claim is N66°E - S66°W. This claim is 1,500 feet in length along the course of the claim. The point of discovery is 50 feet in a N66°E direction to the NE end line of this claim, and 1450' feet in a S66°W direction to the SW end line of this claim. This claim is 600 feet in width, being 300 feet in width on each side of the center line of the claim.

This claim is located within the:

SE Quarter of Section 17 of Township 25N, Range 49E ;
SW Quarter of Section 17 of Township 25N, Range 49E ;
Quarter of Section _____ of Township 25N, Range 49E ; and
Quarter of Section _____ of Township 25N, Range 49E
Mount Diablo Base and Meridian, in the UNKNOWN Mining District
of EUREKA County, Nevada.

The location monument of this claim is situated with reference to some natural object or permanent monument sa follows: 2280' feet S24°E, and 3570' feet S66°W from the NE corner of section 17 T25N R49E

The corners of this claim are marked by 4" diameter posts of wood or PVC, or 4" diameter blazed and topped trees with metal tags inscribed with the appropriate corner number as shown on the following sketch and the accompanying claim map.



The location work consisted of making the maps as provided in NRS 517.040.

Dated and posted on the ground this 25 day of October, 1985.
Dated and signed this 5 day of November, 1985: H. W. Schull
Locator.

RECORDER'S STAMP:

BOOK 140 PAGE 329

OFFICIAL RECORDS
EUREKA COUNTY, NEVADA
M. H. REBALENTI, RECORDER
FILE NO. 100974
FEE \$ 5.25

85 NOV 25 A 9: 08

RECORDED AT REQUEST OF
H. Walter Schull
BOOK 140 PAGE 329

100975

STATE OF NEVADA CERTIFICATE OF MINING LOCATION LODE CLAIM ON PUBLIC DOMAIN

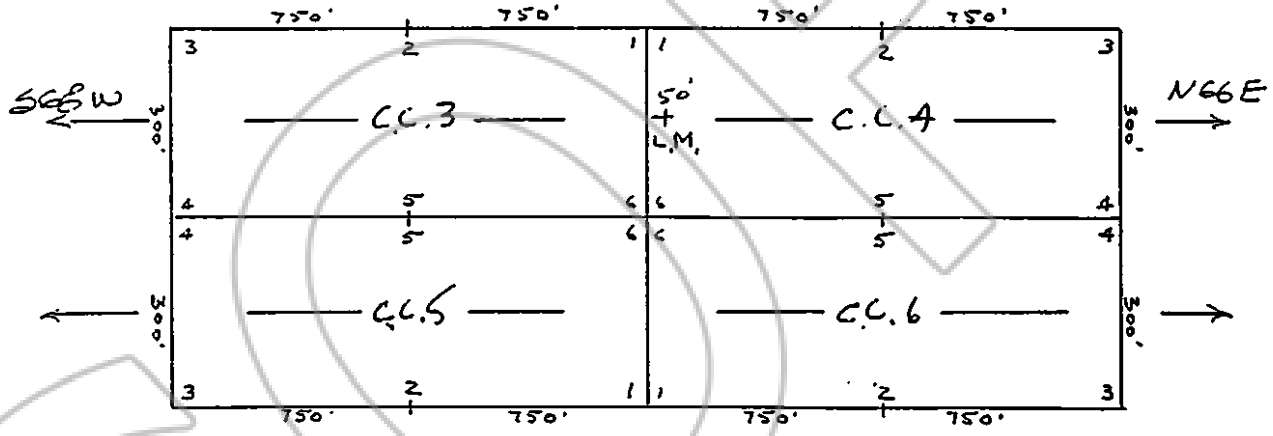
Notice is hereby given that the COAL CANYON No. 4 lode mining claim has been located by H. WALTER SCHULL, a citizen of the United States and whose address is: 901 Walker Ave. Reno, Nevada, 89509.

The general course of this claim is N66°E - S66°W. This claim is 1,500 feet in length along the course of the claim. The point of discovery is 1450 feet in a N66°E direction to the NE end line of this claim, and 50 feet in a S66°W direction to the NW end line of this claim. This claim is 600 feet in width, being 300 feet in width on each side of the center line of the claim.

This claim is located within the: SE Quarter of Section 17 of Township 25N, Range 40E; Quarter of Section _____ of Township 25N, Range 40E; Quarter of Section _____ of Township 25N, Range 40E; and Quarter of Section _____ of Township 25N, Range 40E Mount Diablo Base and Meridian, in the UNKNOWN Mining District of EUREKA County, Nevada.

The location monument of this claim is situated with reference to some natural object or permanent monument sa follows: 2280' feet N66°E and 3470' feet S66°W from the NE corner of section 17 T25N R40E

The corners of this claim are marked by 4" diameter posts of wood or PVC, or 4" diameter blazed and topped trees with metal tags inscribed with the appropriate corner number as shown on the following sketch and the accompanying claim map.



The location work consisted of making the maps as provided in NRS 517.040.

Dated and posted on the ground this 25 day of October, 1985.
Dated and signed this 5 day of November, 1985: H. W. Schull
Locator.

RECORDER'S STAMP:

BOOK 140 PAGE 330

RECORDED AT REQUEST OF
H. Walter Schull
BOOK 140 PAGE 330
85 NOV 25 A 9:09
OFFICIAL RECORDS
EUREKA COUNTY, NEVADA
MIN. REBAL. ENTR. RECORDER
FILE NO. 100975
FEE \$ 5.25

100976

STATE OF NEVADA CERTIFICATE OF MINING LOCATION LODE CLAIM ON PUBLIC DOMAIN

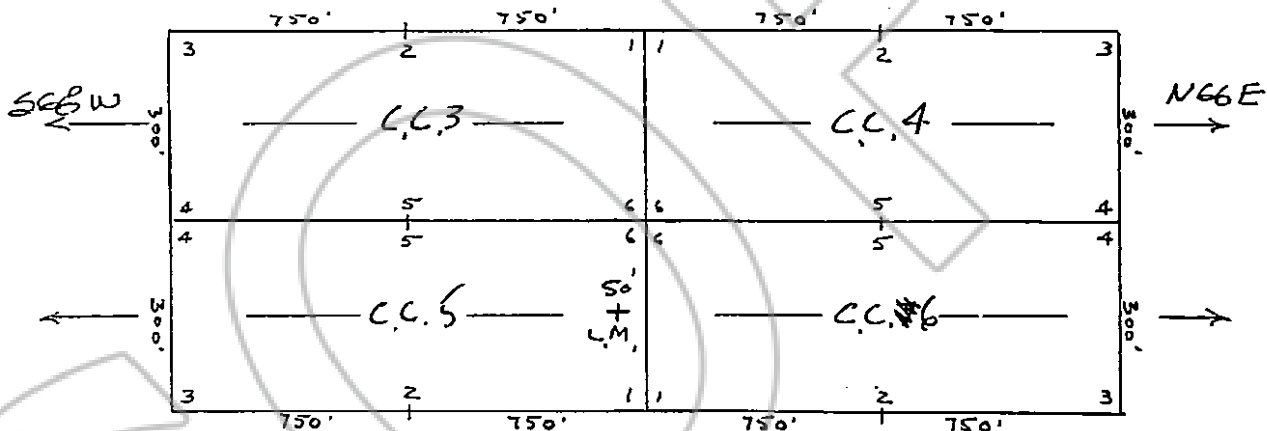
Notice is hereby given that the COAL CANYON No. 5 lode mining claim has been located by H. WALTER SCHULL, a citizen of the United States and whose address is: 901 Walker Ave. Reno, Nevada, 89509.

The general course of this claim is N66°E - S66°W. This claim is 1,500 feet in length along the course of the claim. The point of discovery is 50' feet in a N66°E direction to the NE end line of this claim, and 1450' feet in a S66°W direction to the NW end line of this claim. This claim is 600 feet in width, being 300 feet in width on each side of the center line of the claim.

This claim is located within the:
SW Quarter of Section 17 of Township 25N, Range 49E;
SE Quarter of Section 17 of Township 25N, Range 49E;
Quarter of Section _____ of Township 25N, Range 49E; and
Quarter of Section _____ of Township 25N, Range 49E
Mount Diablo Base and Meridian, in the UNKNOWN Mining District
of EUREKA County, Nevada.

The location monument of this claim is situated with reference to some natural object or permanent monument as follows: 2880 feet S24°E, and 3570 feet S66°W from the NE corner of section 17 T25N R49E

The corners of this claim are marked by 4" diameter posts of wood or PVC, or 4" diameter blazed and topped trees with metal tags inscribed with the appropriate corner number as shown on the following sketch and the accompanying claim map.



The location work consisted of making the maps as provided in NRS 517.040.

Dated and posted on the ground this 25 day of OCTOBER, 1985.
Dated and signed this 5 day of November, 1985: HWSchull
Locator.

RECORDER'S STAMP:

BOOK | 40 PAGE 33 |

85 NOV 25 A 9: 09
OFFICIAL RECORDS
EUREKA COUNTY, NEVADA
MINERAL RIGHTS RECORDER
FILE NO. 100976
FEE \$ 5.25
RECORDED AT REQUEST OF
H. Walter Schull
BOOK 40 PAGE 33

100977

STATE OF NEVADA CERTIFICATE OF MINING LOCATION LODE CLAIM ON PUBLIC DOMAIN

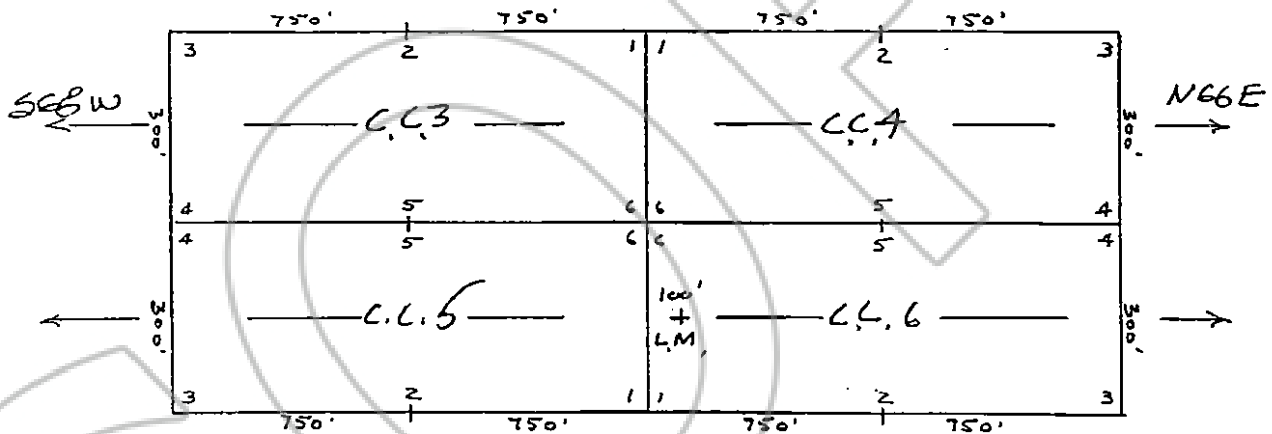
Notice is hereby given that the COAL CANYON No. 6 lode mining claim has been located by H. WALTER SCHULL, a citizen of the United States and whose address is: 901 Walker Ave. Reno, Nevada, 89509.

The general course of this claim is N66°E - 566' W. This claim is 1,500 feet in length along the course of the claim. The point of discovery is 1400 feet in a N66°E direction to the NE end line of this claim, and 2000 feet in a 566' W direction to the SW end line of this claim. This claim is 600 feet in width, being 300 feet in width on each side of the center line of the claim.

This claim is located within the: SE Quarter of Section 17 of Township 25N, Range 49E; SW Quarter of Section 17 of Township 25N, Range 49E; NE Quarter of Section 17 of Township 25N, Range 49E; and NW Quarter of Section 17 of Township 25N, Range 49E Mount Diablo Base and Meridian, in the UNKNOWN Mining District of EUREKA County, Nevada.

The location monument of this claim is situated with reference to some natural object or permanent monument as follows: 3420 feet 566' W, and 2000 feet 524°E from the NE corner of section 17 T25N R49E

The corners of this claim are marked by 4" diameter posts of wood or PVC, or 4" diameter blazed and topped trees with metal tags inscribed with the appropriate corner number as shown on the following sketch and the accompanying claim map.



The location work consisted of making the maps as provided in NRS 517.040.

Dated and posted on the ground this 25 day of OCTOBER, 1985.
Dated and signed this 5 day of NOVEMBER, 1985: HWSchull
Locator.

RECORDER'S STAMP:

BOOK 140 PAGE 332

OFFICIAL RECORDS
EUREKA COUNTY, NEVADA
H.N. REBALEATI, RECORDER
FILE NO. 100977
FEE \$ 5.25

85 NOV 25, A 9: 09

RECORDED AT REQUEST OF
H. Walter Schull
BOOK 140 PAGE 332

100978

STATE OF NEVADA CERTIFICATE OF MINING LOCATION LODE CLAIM ON PUBLIC DOMAIN

Notice is hereby given that the COAL CANYON No. 7 lode mining claim has been located by H. WALTER SCHULL, a citizen of the United States and whose address is: 901 Walker Ave. Reno, Nevada, 89509.

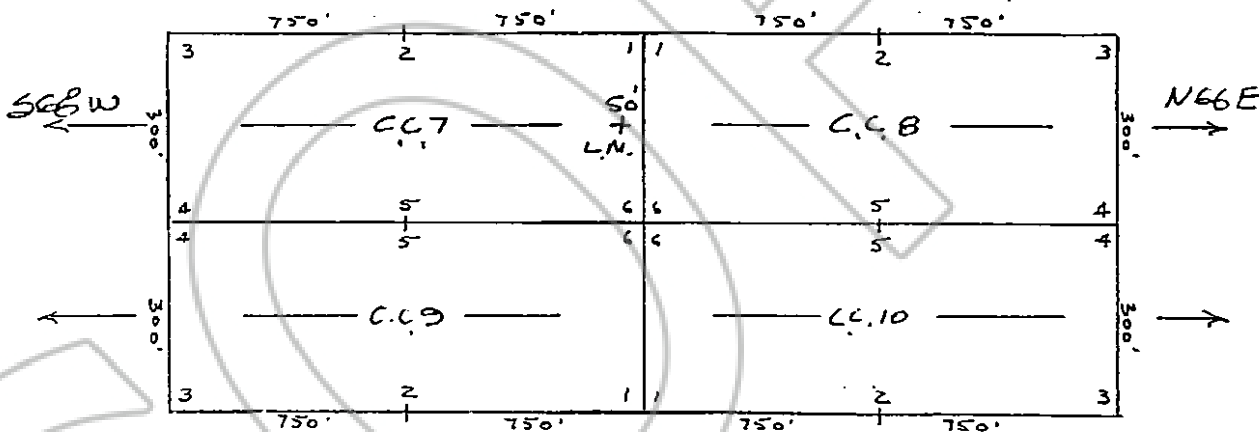
The general course of this claim is N66°E - 566°W. This claim is 1,500 feet in length along the course of the claim. The point of discovery is 50 feet in a N66E direction to the NE end line of this claim, and 1450 feet in a S66°W direction to the NW end line of this claim. This claim is 600 feet in width, being 300 feet in width on each side of the center line of the claim.

This claim is located within the:

SW Quarter of Section 17 of Township 25N, Range 49E ;
SE Quarter of Section 17 of Township 25N, Range 49E ;
NE Quarter of Section 20 of Township 25N, Range 49E ; and
NW Quarter of Section 20 of Township 25N, Range 49E
Mount Diablo Base and Meridian, in the UNKNOWN Mining District
of EUREKA County, Nevada.

The location monument of this claim is situated with reference to some natural object or permanent monument as follows: 3400 feet S21°E, and 3570 feet S66°W from the NE corner of section 17 T25N R 49E

The corners of this claim are marked by 4" diameter posts of wood or PVC, or 4" diameter blazed and topped trees with metal tags inscribed with the appropriate corner number as shown on the following sketch and the accompanying claim map.



The location work consisted of making the maps as provided in NRS 517.040.

Dated and posted on the ground this 24 day of October, 1985.

Dated and signed this 5 day of November, 1985: H. Walter Schull

Locátor.

RECORDER'S STAMP:

OFFICIAL RECORDS
EUREKA COUNTY, NEVADA
MIL. REBAL. EVID. RECORDER
FILE NO. 100978
FEE \$ 5.25

85 NOV 25 4 9 : 09

RECORDED AT REQUEST OF
H. Walter Schull
BOOK 140 PAGE 333

BOOK 140 PAGE 333

100979

STATE OF NEVADA CERTIFICATE OF MINING LOCATION LODE CLAIM ON PUBLIC DOMAIN

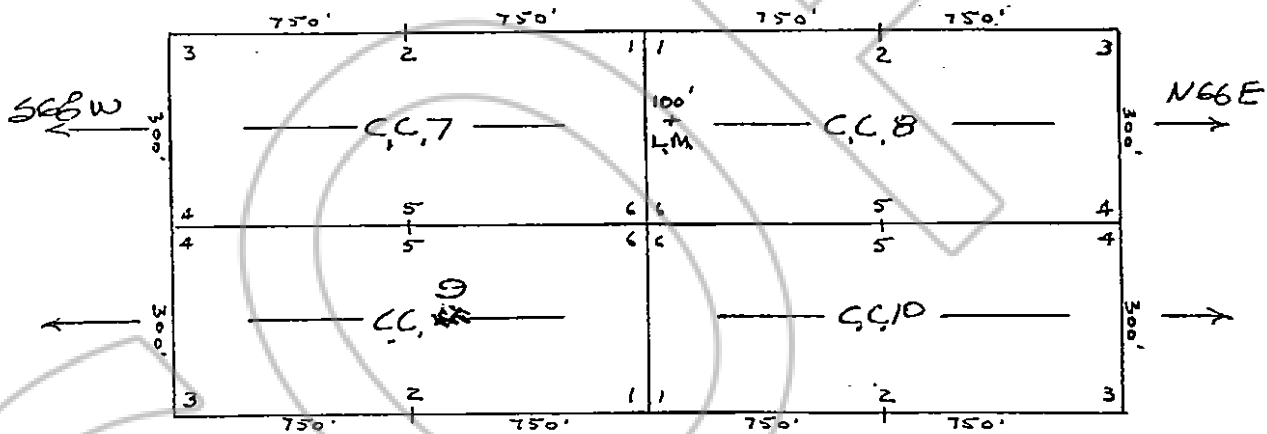
Notice is hereby given that the COAL CANYON No. 8 lode mining claim has been located by H. WALTER SCHULL, a citizen of the United States and whose address is: 901 Walker Ave. Reno, Nevada, 89509.

The general course of this claim is N66°E - S66°W. This claim is 1,500 feet in length along the course of the claim. The point of discovery is 1400' feet in a N66°E direction to the NE end line of this claim, and 100' feet in a S66°W direction to the SW end line of this claim. This claim is 600 feet in width, being 300 feet in width on each side of the center line of the claim.

This claim is located within the:
SE Quarter of Section 17 of Township 25N, Range 49E ;
Quarter of Section _____ of Township 25N, Range 49E ;
Quarter of Section _____ of Township 25N, Range 49E ; and
Quarter of Section _____ of Township 25N, Range 49E
Mount Diablo Base and Meridian, in the UNKNOWN Mining District
of EUREKA County, Nevada.

The location monument of this claim is situated with reference to some natural object or permanent monument as follows: 3480' feet S24°E, and 3420' feet S66°W from the NE corner of section 17 T25N R 49E

The corners of this claim are marked by 4" diameter posts of wood or PVC, or 4" diameter blazed and topped trees with metal tags inscribed with the appropriate corner number as shown on the following sketch and the accompanying claim map.



The location work consisted of making the maps as provided in NRS 517.040.

Dated and posted on the ground this 10 day of October, 1985.
Dated and signed this 5 day of November, 1985: HWSchull

Locator.

RECORDER'S STAMP:

BOOK 140 PAGE 334

OFFICIAL RECORDS
EUREKA COUNTY, NEVADA
MIN. REBALANCE, RECORDER
FILE NO. 100979
FEE \$ 5.25

85 NOV 25 A 9: 09

RECORDED AT REQUEST OF
H. Walter Schull
BOOK 140 PAGE 334

100980

STATE OF NEVADA CERTIFICATE OF MINING LOCATION LODE CLAIM ON PUBLIC DOMAIN

Notice is hereby given that the COAL CANYON No. 9 lode mining claim has been located by H. WALTER SCHULL, a citizen of the United States and whose address is: 901 Walker Ave. Reno, Nevada, 89509.

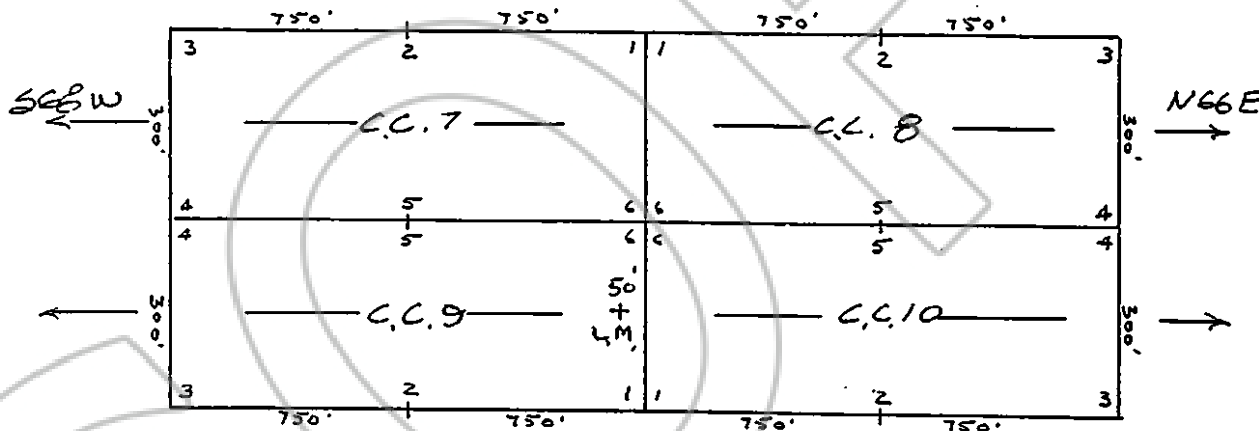
The general course of this claim is N66°E - S66°W. This claim is 1,500 feet in length along the course of the claim. The point of discovery is 50 feet in a N66E direction to the NE end line of this claim, and 1450 feet in a S66W direction to the SW end line of this claim. This claim is 600 feet in width, being 300 feet in width on each side of the center line of the claim.

This claim is located within the:

SE Quarter of Section 17 of Township 25N, Range 49E ;
NE Quarter of Section 20 of Township 25N, Range 49E ;
NW Quarter of Section 20 of Township 25N, Range 49E ; and
Quarter of Section _____ of Township 25N, Range 49E
Mount Diablo Base and Meridian, in the UNKNOWN Mining District
of EUREKA County, Nevada.

The location monument of this claim is situated with reference to some natural object or permanent monument as follows: 4080' feet S24°E, and 3350' feet S66°W from the NE corner of section 17 T25N R49E

The corners of this claim are marked by 4" diameter posts of wood or PVC, or 4" diameter blazed and topped trees with metal tags inscribed with the appropriate corner number as shown on the following sketch and the accompanying claim map.



The location work consisted of making the maps as provided in NRS 517.040.

Dated and posted on the ground this 10 day of OCTOBER, 1985.
Dated and signed this 5 day of NOVEMBER, 1985: HWSchull
Locator.

RECORDER'S STAMP:

BOOK 140 PAGE 335

RECORDED AT REQUEST OF
H. Walter Schull
BOOK 140 PAGE 335
05 NOV 25 9:09
OFFICIAL RECORDS
EUREKA COUNTY, NEVADA
M.M. REBALZATI, RECORDER
FILE NO. 100980
FEE \$ 5.25

100981

STATE OF NEVADA CERTIFICATE OF MINING LOCATION LODE CLAIM ON PUBLIC DOMAIN

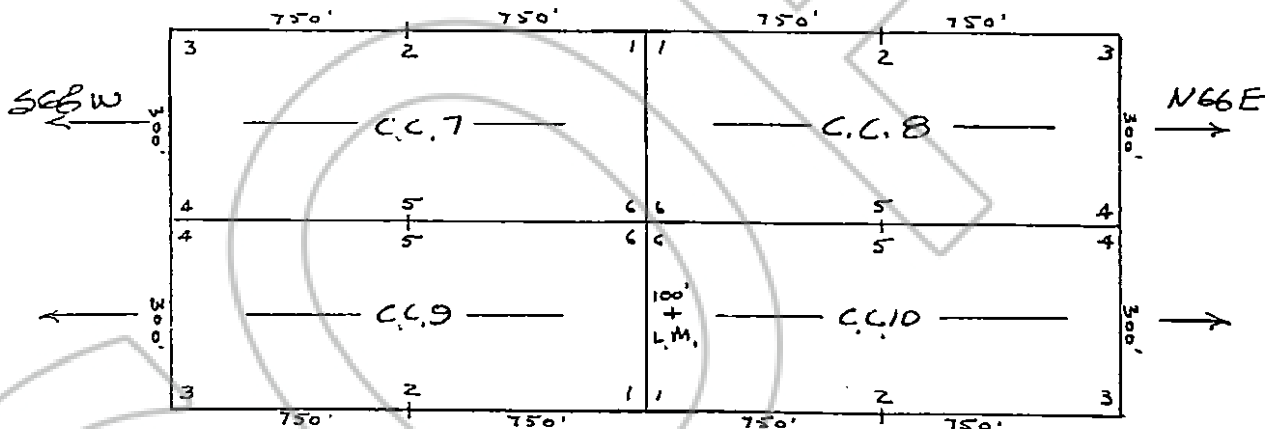
Notice is hereby given that the COAL CANYON No. 10 lode mining claim has been located by H. WALTER SCHULL, a citizen of the United States and whose address is: 901 Walker Ave. Reno, Nevada, 89509.

The general course of this claim is N66°E - S66°W. This claim is 1,500 feet in length along the course of the claim. The point of discovery is 1400 feet in a N66E direction to the NE end line of this claim, and 50 feet in a S66W direction to the SW end line of this claim. This claim is 600 feet in width, being 300 feet in width on each side of the center line of the claim.

This claim is located within the:
SE Quarter of Section 17 of Township 25N, Range 49E ;
NE Quarter of Section 20 of Township 25N, Range 49E ;
Quarter of Section _____ of Township 25N, Range 49E ; and
Quarter of Section _____ of Township 25N, Range 49E
Mount Diablo Base and Meridian, in the UNKNOWN Mining District
of EUREKA County, Nevada.

The location monument of this claim is situated with reference to some natural object or permanent monument as follows: 4000' feet S24°E, and 3420' feet S66°W from the NE corner of section 17 T25N R49E

The corners of this claim are marked by 4" diameter posts of wood or PVC, or 4" diameter blazed and topped trees with metal tags inscribed with the appropriate corner number as shown on the following sketch and the accompanying claim map.



The location work consisted of making the maps as provided in NRS 517.040.

Dated and posted on the ground this -10 day of OCTOBER, 1985.
Dated and signed this 5 day of November, 1985: H. W. Schull
Locator.

RECORDER'S STAMP:

BOOK 140 PAGE 336

RECORDED AT REQUEST OF
H. Walter Schull
BOOK 140 PAGE 336
85 NOV 25 A 9: 09
OFFICIAL RECORDS
EUREKA COUNTY, NEVADA
M.N. REBALENTI, RECORDER
FILE NO. 100981
FEE \$ 5.25

100982

STATE OF NEVADA CERTIFICATE OF MINNING LOCATION LODE CLAIM ON PUBLIC DOMAIN

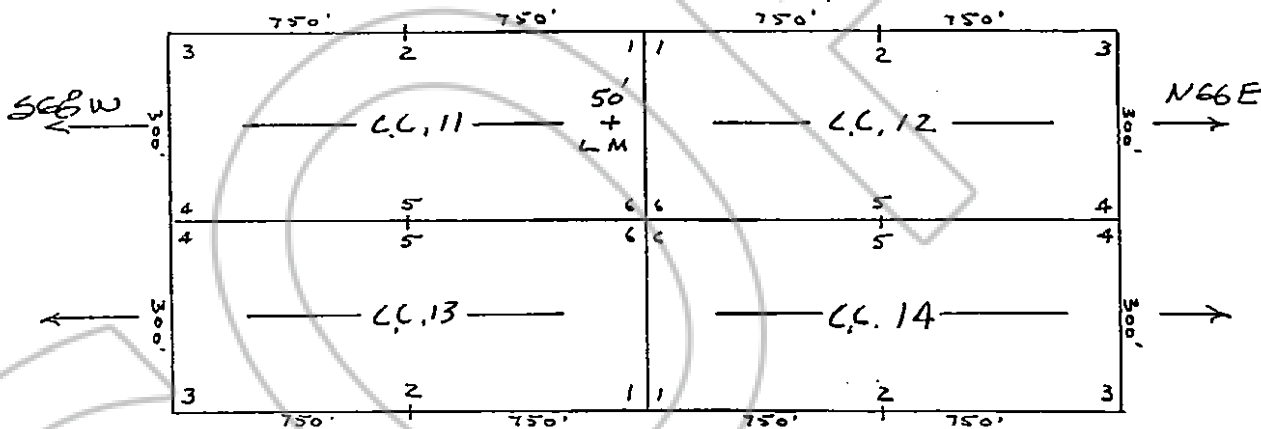
Notice is hereby given that the COAL CANYON No. 11 lode mining claim has been located by H. WALTER SCHULL, a citizen of the United States and whose address is: 901 Walker Ave. Reno, Nevada, 89509.

The general course of this claim is N66°E - S66°W. This claim is 1,500 feet in length along the course of the claim. The point of discovery is 50 feet in a N66°E direction to the NE end line of this claim, and 1450 feet in a S66°W direction to the SW end line of this claim. This claim is 600 feet in width, being 300 feet in width on each side of the center line of the claim.

This claim is located within the:
NE Quarter of Section 20 of Township 25N, Range 49E;
Quarter of Section _____ of Township 25N, Range 49E;
Quarter of Section _____ of Township 25N, Range 49E; and
Quarter of Section _____ of Township 25N, Range 49E
Mount Diablo Base and Meridian, in the UNKNOWN Mining District
of EUREKA County, Nevada.

The location monument of this claim is situated with reference to some natural object or permanent monument sa follows: 4000' feet S24°E, and 3570' feet S66°W from the NE corner of section 17 T25N R49E

The corners of this claim are marked by 4" diameter posts of wood or PVC, or 4" diameter blazed and topped trees with metal tags inscribed with the appropriate corner number as shown on the following sketch and the accompanying claim map.



The location work consisted of making the maps as provided in NRS 517.040.

Dated and posted on the ground this -10 day of OCTOBER, 1985.
Dated and signed this 5 day of NOVEMBER, 1985: HWSchull
Locator.

RECORDER'S STAMP:

BOOK 140 PAGE 337

OFFICIAL RECORDS
EUREKA COUNTY, NEVADA
MINING CLAIM RECORDER
FILE NO. 100982
FEE \$ 5.75

95 NOV 25 A 9: 08

RECORDED AT REQUEST OF
H. Walter Schull
EUREKA COUNTY, NEVADA
PAGE 337

100983

STATE OF NEVADA CERTIFICATE OF MINING LOCATION LODE CLAIM ON PUBLIC DOMAIN

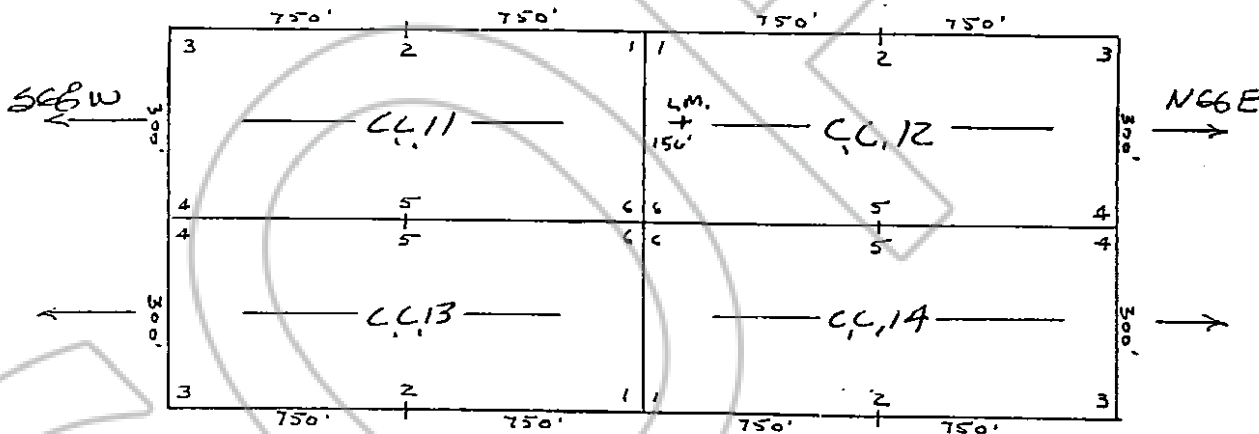
Notice is hereby given that the COAL CANYON No. 12 lode mining claim has been located by H. WALTER SCHULL, a citizen of the United States and whose address is: 901 Walker Ave. Reno, Nevada, 89509.

The general course of this claim is N66°E - S66°W. This claim is 1,500 feet in length along the course of the claim. The point of discovery is 1350' feet in a N66°E direction to the NE end line of this claim, and 150' feet in a S66°W direction to the SW end line of this claim. This claim is 600 feet in width, being 300 feet in width on each side of the center line of the claim.

This claim is located within the:
NE Quarter of Section 20 of Township 25N, Range 49E ;
SW Quarter of Section 17 of Township 25N, Range 49E ;
SW Quarter of Section 16 of Township 25N, Range 49E ; and
NW Quarter of Section 21 of Township 25N, Range 49E
Mount Diablo Base and Meridian, in the UNKNOWN Mining District
of EUREKA County, Nevada.

The location monument of this claim is situated with reference to some natural object or permanent monument as follows: 460' feet S24°E, and 3370' feet S66°W from the NE corner of section 17 T25N R 49E

The corners of this claim are marked by 4" diameter posts of wood or PVC, or 4" diameter blazed and topped trees with metal tags inscribed with the appropriate corner number as shown on the following sketch and the accompanying claim map.



The location work consisted of making the maps as provided in NRS 517.040.

Dated and posted on the ground this - 10 day of OCTOBER, 1985.

Dated and signed this 5 day of November, 1985: H. W. Schull
Locator.

RECORDER'S STAMP:

BOOK 140 PAGE 338

OFFICIAL RECORDER
NEVADA
MINERAL RIGHTS RECORDER
FILE NO. 100983
FEE \$ 5.75

85 NOV 25 A 9: 09

RECORDED AT REQUEST OF
H. Walter Schull
BOOK 140 PAGE 338

100984

STATE OF NEVADA CERTIFICATE OF MINNING LOCATION LODE CLAIM ON PUBLIC DOMAIN

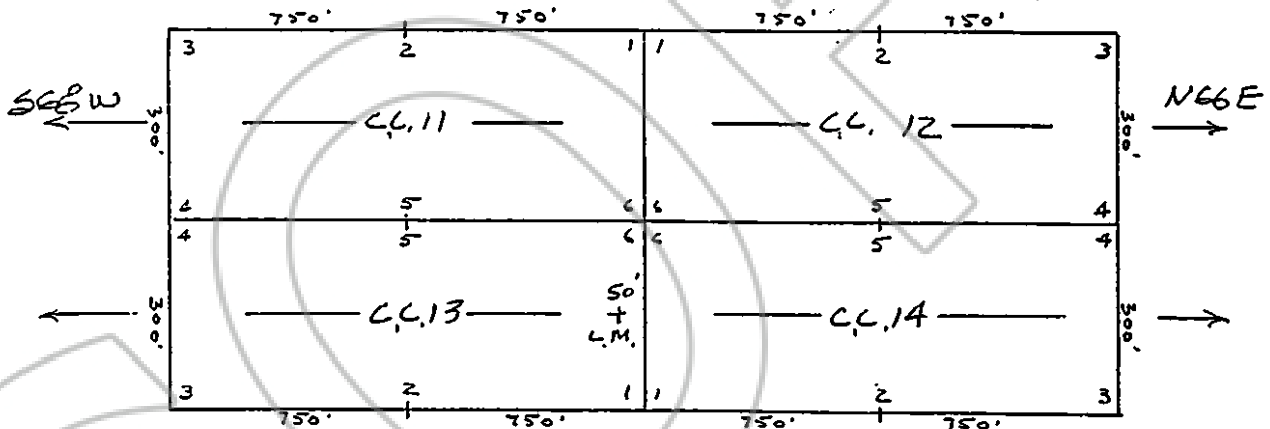
Notice is hereby given that the COAL CANYON No. 13 lode mining claim has been located by H. WALTER SCHULL, a citizen of the United States and whose address is: 901 Walker Ave. Reno, Nevada, 89509.

The general course of this claim is N66°E - S66°W. This claim is 1,500 feet in length along the course of the claim. The point of discovery is 50 feet in a N66E direction to the NE end line of this claim, and 1450 feet in a S66°W direction to the SW end line of this claim. This claim is 600 feet in width, being 300 feet in width on each side of the center line of the claim.

This claim is located within the:
NE Quarter of Section 20 of Township 25N, Range 49E;
Quarter of Section _____ of Township 25N, Range 49E;
Quarter of Section _____ of Township 25N, Range 49E; and
Quarter of Section _____ of Township 25N, Range 49E
Mount Diablo Base and Meridian, in the UNKNOWN Mining District
of EUREKA County, Nevada.

The location monument of this claim is situated with reference to some natural object or permanent monument as follows: 5280 feet S24°E, and 3,570 feet S66°W from the NE corner of section 17 T25N R 49E

The corners of this claim are marked by 4" diameter posts of wood or PVC, or 4" diameter blazed and topped trees with metal tags inscribed with the appropriate corner number as shown on the following sketch and the accompanying claim map.



The location work consisted of making the maps as provided in NRS 517.040.

Dated and posted on the ground this 11 day of OCTOBER, 1985.
Dated and signed this 5 day of NOVEMBER, 1985: H. Walter Schull
Locator.

RECORDER'S STAMP:

BOOK 140 PAGE 339

OFFICIAL RECORDS
EUREKA COUNTY, NEVADA
MINERAL RIGHTS RECORDER
FILE NO. 100984
FEE \$ 5.75

95 NOV 25 A 9: 09

RECORDED AT REQUEST OF
H. Walter Schull
BOOK 140 PAGE 339

100985

STATE OF NEVADA CERTIFICATE OF MINING LOCATION LODE CLAIM ON PUBLIC DOMAIN

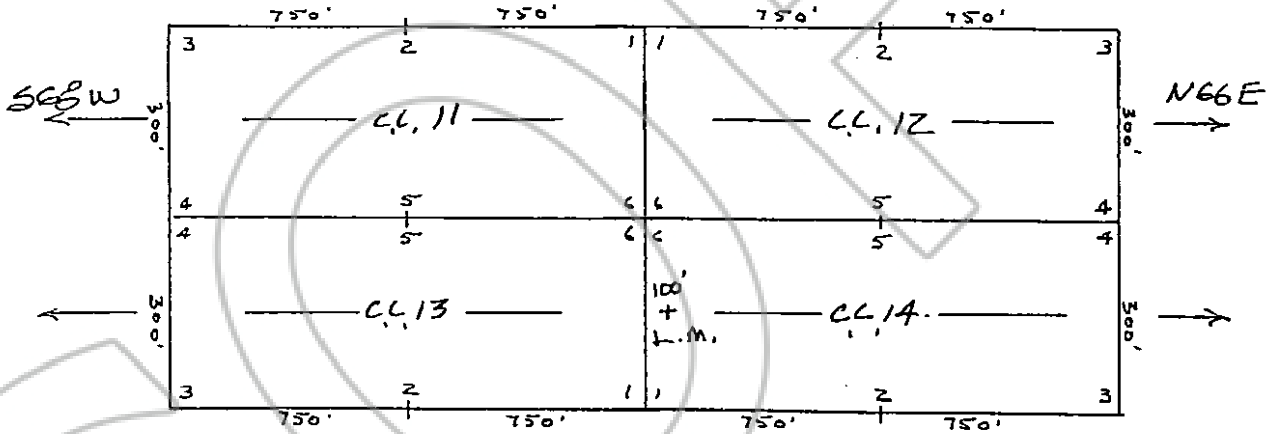
Notice is hereby given that the COAL CANYON No. 14 lode mining claim has been located by H. WALTER SCHULL, a citizen of the United States and whose address is: 901 Walker Ave. Reno, Nevada, 89509.

The general course of this claim is N66°E - S66°W. This claim is 1,500 feet in length along the course of the claim. The point of discovery is 1400 feet in a N66E direction to the NE end line of this claim, and 100 feet in a S66W direction to the SW end line of this claim. This claim is 600 feet in width, being 300 feet in width on each side of the center line of the claim.

This claim is located within the:
NE Quarter of Section 20 of Township 25N, Range 49E ;
NW Quarter of Section 21 of Township 25N, Range 49E ;
Quarter of Section _____ of Township 25N, Range 49E ; and
Quarter of Section _____ of Township 25N, Range 49E
Mount Diablo Base and Meridian, in the UNKNOWN Mining District
of EUREKA County, Nevada.

The location monument of this claim is situated with reference to some natural object or permanent monument as follows: 5,280 feet S24°E, and 3420 feet S66°W from the NE corner of section 17 T25N R 49E

The corners of this claim are marked by 4" diameter posts of wood or PVC, or 4" diameter blazed and topped trees with metal tags inscribed with the appropriate corner number as shown on the following sketch and the accompanying claim map.



The location work consisted of making the maps as provided in NRS 517.040.

Dated and posted on the ground this 11 day of OCTOBER, 1985.
Dated and signed this 5 day of November, 1985: HWSchull
Locator.

RECORDER'S STAMP:

BOOK 140 PAGE 340

OFFICIAL RECORDS
EUREKA COUNTY, NEVADA
N.M. REBAL AT PEQUEN
FILE NO. 100985
FEE \$ 5.75

85 NOV 25 A 9: 09

RECORDED AT REQUEST OF
H. Walter Schull
BOOK 140 PAGE 340

100986

STATE OF NEVADA CERTIFICATE OF MINING LOCATION LODE CLAIM ON PUBLIC DOMAIN

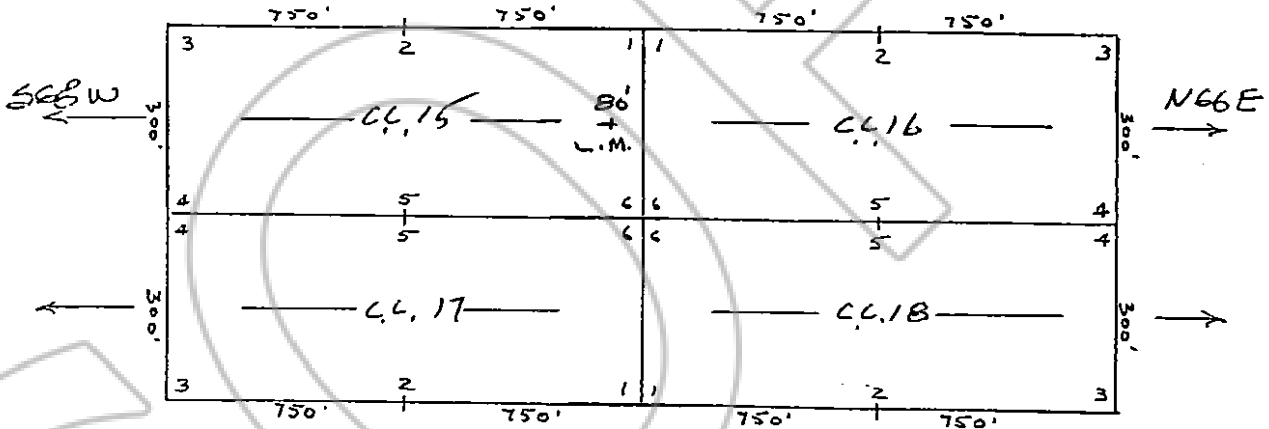
Notice is hereby given that the COAL CANYON No. 15 lode mining claim has been located by H. WALTER SCHULL, a citizen of the United States and whose address is: 901 Walker Ave. Reno, Nevada, 89509.

The general course of this claim is N66°E - S66°W. This claim is 1,500 feet in length along the course of the claim. The point of discovery is 80 feet in a N66°E direction to the NE end line of this claim, and 1720 feet in a S66°W direction to the SW end line of this claim. This claim is 600 feet in width, being 300 feet in width on each side of the center line of the claim.

This claim is located within the:
NE Quarter of Section 20 of Township 25N, Range 49E;
Quarter of Section _____ of Township 25N, Range 49E;
Quarter of Section _____ of Township 25N, Range 49E; and
Quarter of Section _____ of Township 25N, Range 49E
Mount Diablo Base and Meridian, in the UNKNOWN Mining District
of EUREKA County, Nevada.

The location monument of this claim is situated with reference to some natural object or permanent monument as follows: 5880 feet S24°E, and 3600 feet S66°W from the NE corner of section 17 T25N R49E

The corners of this claim are marked by 4" diameter posts of wood or PVC, or 4" diameter blazed and topped trees with metal tags inscribed with the appropriate corner number as shown on the following sketch and the accompanying claim map.



The location work consisted of making the maps as provided in NRS 517.040.

Dated and posted on the ground this - 26 day of OCTOBER, 1985.
Dated and signed this 5 day of November, 1985: H. W. Schull
Locator.

RECORDER'S STAMP:

BOOK 140 PAGE 341

OFFICIAL RECORDS
EUREKA COUNTY, NEVADA
MIN. REBALANCE RECORDER
FILE NO. 100986
FEE \$ 5.25

85 NOV 25 A 9:10

RECORDED AT REQUEST OF
H. Walter Schull
BOOK 140 PAGE 341

100987

STATE OF NEVADA CERTIFICATE OF MINING LOCATION LOSE CLAIM ON PUBLIC DOMAIN

Notice is hereby given that the COAL CANYON No. 16 lode mining claim has been located by H. WALTER SCHULL, a citizen of the United States and whose address is: 901 Walker Ave. Reno, Nevada, 89509.

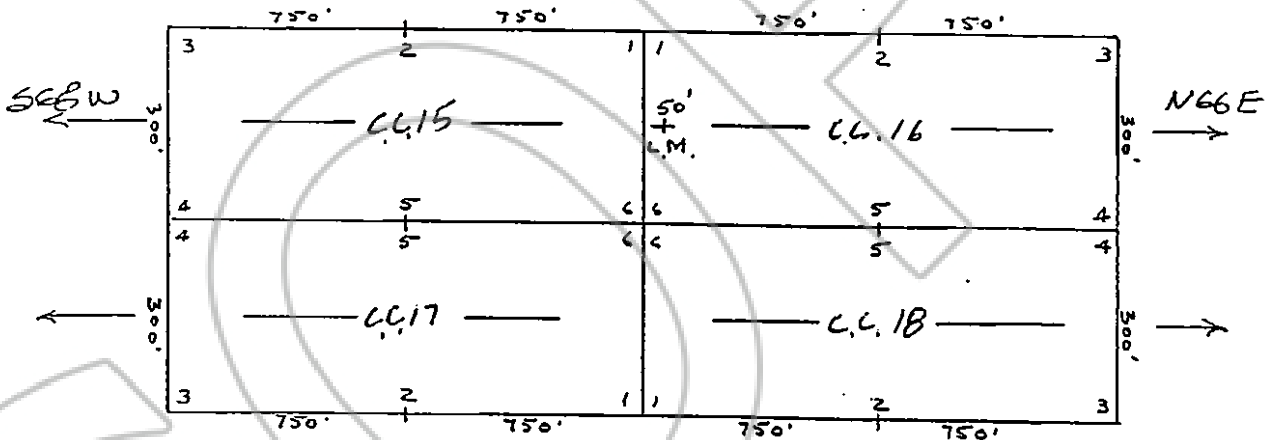
The general course of this claim is N66°E - S66°W. This claim is 1,500 feet in length along the course of the claim. The point of discovery is 1450 feet in a N66°E direction to the NE end line of this claim, and 50 feet in a S66°W direction to the NW end line of this claim. This claim is 600 feet in width, being 300 feet in width on each side of the center line of the claim.

This claim is located within the:

NE Quarter of Section 20 of Township 25N, Range 49E ;
NW Quarter of Section 21 of Township 25N, Range 49E ;
Quarter of Section _____ of Township 25N, Range 49E ; and
Quarter of Section _____ of Township 25N, Range 49E
Mount Diablo Base and Meridian, in the UNKNOWN Mining District
of EUREKA County, Nevada.

The location monument of this claim is situated with reference to some natural object or permanent monument as follows: 5880 feet S24°E, and 3470 feet S66°W from the NE corner of section 17 T25N R 49E

The corners of this claim are marked by 4" diameter posts of wood or PVC, or 4" diameter blazed and topped trees with metal tags inscribed with the appropriate corner number as shown on the following sketch and the accompanying claim map.



The location work consisted of making the maps as provided in NRS 517.040.

Dated and posted on the ground this -26 day of OCTOBER, 1985.
Dated and signed this 5 day of November, 1985: H. Walter Schull
Locator.

RECORDER'S STAMP:

BOOK 140 PAGE 342

RECORDER AT REQUEST OF
H. Walter Schull
BOOK 140 PAGE 342
85 NOV 25 9:10
SPECIAL RECORDS
EUREKA COUNTY, NEVADA
MINERAL RIGHTS RECORDS
FILE NO. 100987
FEE \$ 525

100988

STATE OF NEVADA CERTIFICATE OF MINNING LOCATION LODE CLAIM ON PUBLIC DOMAIN

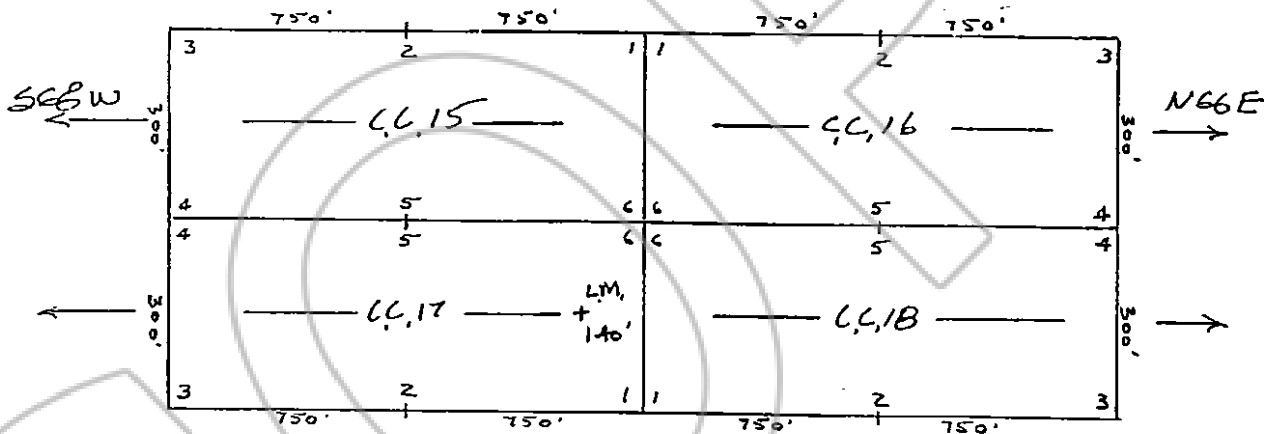
Notice is hereby given that the COAL CANYON No. 17 lode mining claim has been located by H. WALTER SCHULL, a citizen of the United States and whose address is: 901 Walker Ave. Reno, Nevada, 89509.

The general course of this claim is N66°E - S66°W. This claim is 1,500 feet in length along the course of the claim. The point of discovery is 140 feet in a N66°E direction to the NE end line of this claim, and 1360 feet in a S66°W direction to the SW end line of this claim. This claim is 600 feet in width, being 300 feet in width on each side of the center line of the claim.

This claim is located within the:
NE Quarter of Section 20 of Township 25N, Range 49E ;
SE Quarter of Section 20 of Township 25N, Range 49E ;
Quarter of Section _____ of Township 25N, Range 49E ; and
Quarter of Section _____ of Township 25N, Range 49E ;
Mount Diablo Base and Meridian, in the UNKNOWN Mining District
of EUREKA County, Nevada.

The location monument of this claim is situated with reference to some natural object or permanent monument as follows: 6400 feet S24°E, and 3660 feet S66°W from the NE corner of section 17 T25N R 49E

The corners of this claim are marked by 4" diameter posts of wood or PVC, or 4" diameter blazed and topped trees with metal tags inscribed with the appropriate corner number as shown on the following sketch and the accompanying claim map.



The location work consisted of making the maps as provided in NRS 517.040.

Dated and posted on the ground this 26 day of OCTOBER, 1985.

Dated and signed this 5 day of November, 1985: HWSchull Locator.

RECORDER'S STAMP:

BOOK 140 PAGE 343

OFFICIAL RECORDS
EUREKA COUNTY, NEVADA
M. N. REBELEAU, RECORDER
FILE NO. 100988
FEE \$ 5.75

85 NOV 25 A 9:10

RECORDED AT REQUEST OF
H. Walter Schull
BOOK 140 PAGE 343

100989

STATE OF NEVADA CERTIFICATE OF MINING LOCATION LODE CLAIM ON PUBLIC DOMAIN

Notice is hereby given that the COAL CANYON No. 18 lode mining claim has been located by H. WALTER SCHULL, a citizen of the United States and whose address is: 901 Walker Ave. Reno, Nevada, 89509.

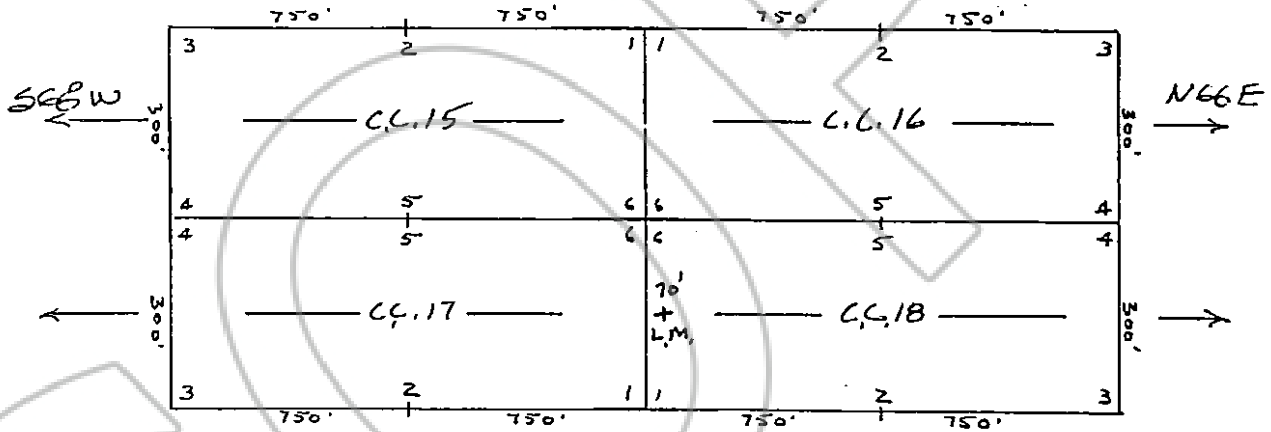
The general course of this claim is N66°E - S66°W. This claim is 1,500 feet in length along the course of the claim. The point of discovery is 1430' feet in a N66°E direction to the NE end line of this claim, and 70' feet in a S66°W direction to the NW end line of this claim. This claim is 600 feet in width, being 300 feet in width on each side of the center line of the claim.

This claim is located within the:

NE 1/4 Quarter of Section 20 of Township 25N, Range 40E ;
NW 1/4 Quarter of Section 21 of Township 25N, Range 40E ;
Quarter of Section _____ of Township 25N, Range 40E ; and
Quarter of Section _____ of Township 25N, Range 40E ;
Mount Diablo Base and Meridian, in the UNKNOWN Mining District
of EUREKA County, Nevada.

The location monument of this claim is situated with reference to some natural object or permanent monument as follows: 6480' feet S24°E, and 3450' feet S66°W from the NE corner of section 17 T25N R40E

The corners of this claim are marked by 4" diameter posts of wood or PVC, or 4" diameter blazed and topped trees with metal tags inscribed with the appropriate corner number as shown on the following sketch and the accompanying claim map.



The location work consisted of making the maps as provided in NRS 517.040.

Dated and posted on the ground this 26 day of OCTOBER, 1985.
Dated and signed this 5 day of November, 1985:

Locator: H. Walter Schull

RECORDER'S STAMP:

OFFICIAL RECORDS
EUREKA COUNTY, NEVADA
MIN. RECL. FILE NO. 100989
FEE \$ 5.25

85 NOV 25 4 11 PM

RECORDED AT REQUEST OF
H. Walter Schull
BOOK 170 PAGE 344

BOOK 140 PAGE 344

100990

STATE OF NEVADA CERTIFICATE OF MINNING LOCATION LODE CLAIM ON PUBLIC DOMAIN

Notice is hereby given that the COAL CANYON No. 19 lode mining claim has been located by H. WALTER SCHULL, a citizen of the United States and whose address is: 901 Walker Ave. Reno, Nevada, 89509.

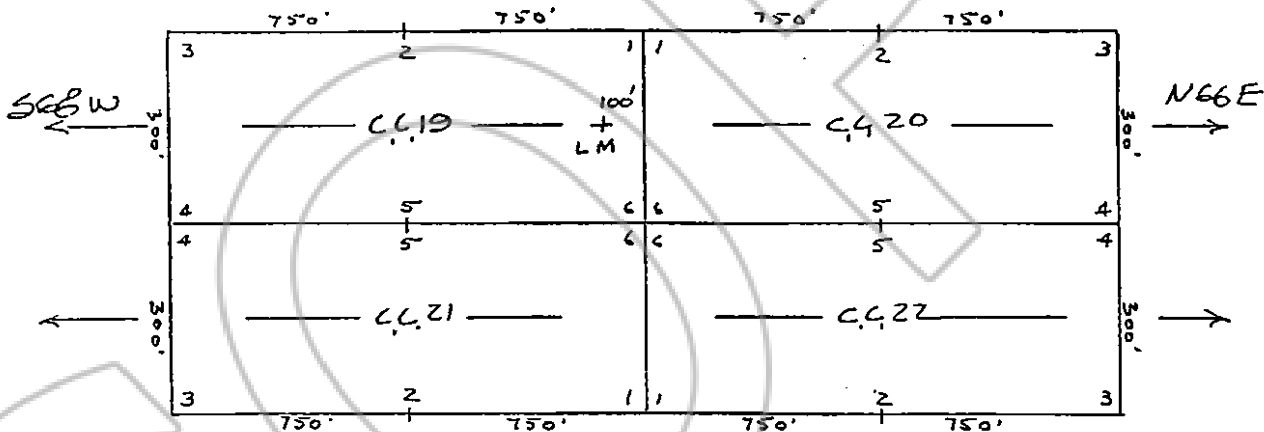
The general course of this claim is N66°E - S66°W. This claim is 1,500 feet in length along the course of the claim. The point of discovery is 100 feet in a N66°E direction to the NE end line of this claim, and 1,400 feet in a S66°W direction to the SW end line of this claim. This claim is 600 feet in width, being 300 feet in width on each side of the center line of the claim.

This claim is located within the:

SE Quarter of Section 20 of Township 25N, Range 49E ;
NE Quarter of Section 20 of Township 25N, Range 49E ;
Quarter of Section _____ of Township 25N, Range 49E ; and
Quarter of Section _____ of Township 25N, Range 49E ;
Mount Diablo Base and Meridian, in the UNKNOWN Mining District
of EUREKA County, Nevada.

The location monument of this claim is situated with reference to some natural object or permanent monument as follows: 7000 feet S24°E, and 3620 feet S66°W from the NE corner of section 17 T29R 49E

The corners of this claim are marked by 4" diameter posts of wood or PVC, or 4" diameter blazed and topped trees with metal tags inscribed with the appropriate corner number as shown on the following sketch and the accompanying claim map.



The location work consisted of making the maps as provided in NRS 517.040.

Dated and posted on the ground this -26 day of OCTOBER, 1985.
Dated and signed this 5 day of November, 1985: H. Walter Schull
e Locator.

RECORDER'S STAMP:

BOOK | 40 PAGE 345

85 NOV 25, A 9: 10
RECORDED AT REQUEST OF
H. Walter Schull
BOOK 170 PAGE 345
OFFICIAL RECORDS
EUREKA COUNTY, NEVADA
MIN. REBALENT RECORDER
FILE NO. 100990
FEE \$ 5.25

100991

STATE OF NEVADA CERTIFICATE OF MINING LOCATION LODE CLAIM ON PUBLIC DOMAIN

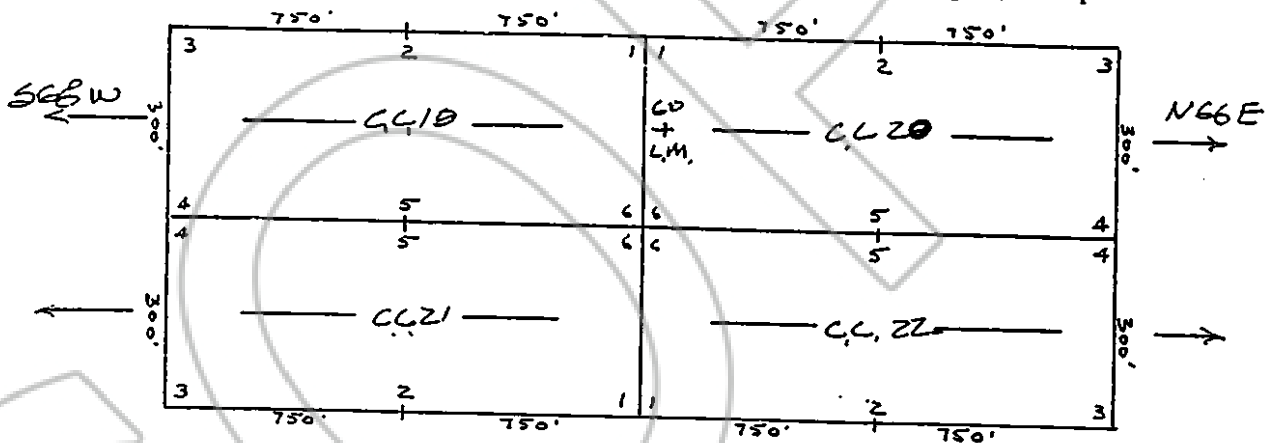
Notice is hereby given that the COAL CANYON No. 20 lode mining claim has been located by H. WALTER SCHULL, a citizen of the United States and whose address is: 901 Walker Ave. Reno, Nevada, 89509.

The general course of this claim is N66°E - S66°W. This claim is 1,500 feet in length along the course of the claim. The point of discovery is 1440 feet in a N66E direction to the NE end line of this claim, and 60 feet in a S66°W direction to the SW end line of this claim. This claim is 600 feet in width, being 300 feet in width on each side of the center line of the claim.

This claim is located within the:
SE Quarter of Section 20 of Township 25N, Range 40E ;
NE Quarter of Section 20 of Township 25N, Range 40E ;
NW Quarter of Section 21 of Township 25N, Range 40E ; and
SW Quarter of Section 21 of Township 25N, Range 40E ;
Mount Diablo Base and Meridian, in the UNKNOWN Mining District
of EUREKA County, Nevada.

The location monument of this claim is situated with reference to some natural object or permanent monument @ follows: 780 feet S24°E, and 340 feet S66°W from the NE corner of section 17 T25R 40E

The corners of this claim are marked by 4" diameter posts of wood or PVC, or 4" diameter blazed and topped trees with metal tags inscribed with the appropriate corner number as shown on the following sketch and the accompanying claim map.



The location work consisted of making the maps as provided in NRS 517.040.

Dated and posted on the ground this 26 day of OCTOBER, 1985.

Dated and signed this 5 day of November, 1985: HWSchull
Locator.

RECORDER'S STAMP:

BOOK 140 PAGE 346

OFFICIAL RECORDS
EUREKA COUNTY, NEVADA
MIN. REBAL. RECORDER
FILE NO. 100991
FEE \$ 5.25

85 NOV 25 A 9:10

RECORDED AT REQUEST OF
H. Walter Schull
BOOK NO PAGE 346

100992

STATE OF NEVADA CERTIFICATE OF MINNING LOCATION LODE CLAIM ON PUBLIC DOMAIN

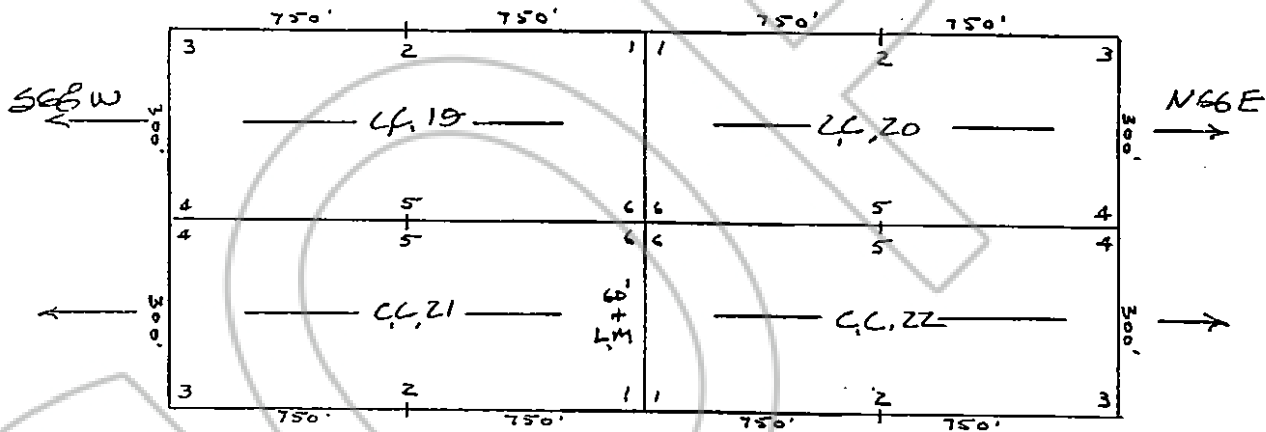
Notice is hereby given that the COAL CANYON No. 21 lode-mining claim has been located by H. WALTER SCHULL, a citizen of the United States and whose address is: 901 Walker Ave. Reno, Nevada, 89509.

The general course of this claim is N66°E - S66°W. This claim is 1,500 feet in length along the course of the claim. The point of discovery is 60 feet in a N66°E direction to the NE end line of this claim, and 1440 feet in a S66°W direction to the SW end line of this claim. This claim is 600 feet in width, being 300 feet in width on each side of the center line of the claim.

This claim is located within the:
SE Quarter of Section 20 of Township 25N, Range 49E ;
SW Quarter of Section 21 of Township 25N, Range 49E ;
Quarter of Section _____ of Township 25N, Range 49E ; and
Quarter of Section _____ of Township 25N, Range 49E
Mount Diablo Base and Meridian, in the UNKNOWN Mining District
of EUREKA County, Nevada.

The location monument of this claim is situated with reference to some natural object or permanent monument as follows: 7680 feet S24°E, and 3580 feet S66°W from the NE corner of section 17 T29R 49E

The corners of this claim are marked by 4" diameter posts of wood or PVC, or 4" diameter blazed and topped trees with metal tags inscribed with the appropriate corner number as shown on the following sketch and the accompanying claim map.



The location work consisted of making the maps as provided in NRS 517.040.

Dated and posted on the ground this 26 day of OCTOBER, 1985.
Dated and signed this 5 day of November, 1985: H. W. Schull
Locater.

RECORDER'S STAMP:

BOOK 140 PAGE 347

OFFICIAL RECORDS
EUREKA COUNTY, NEVADA
H. H. REBALEATI, RECORDER
FILE NO. 100992
FEE \$ 5.25

85 NOV 25 A 9: 10

RECORDED AT REQUEST OF
H. Walter Schull
BOOK 140 PAGE 347

100993

STATE OF NEVADA CERTIFICATE OF MINNING LOCATION LODE CLAIM ON PUBLIC DOMAIN

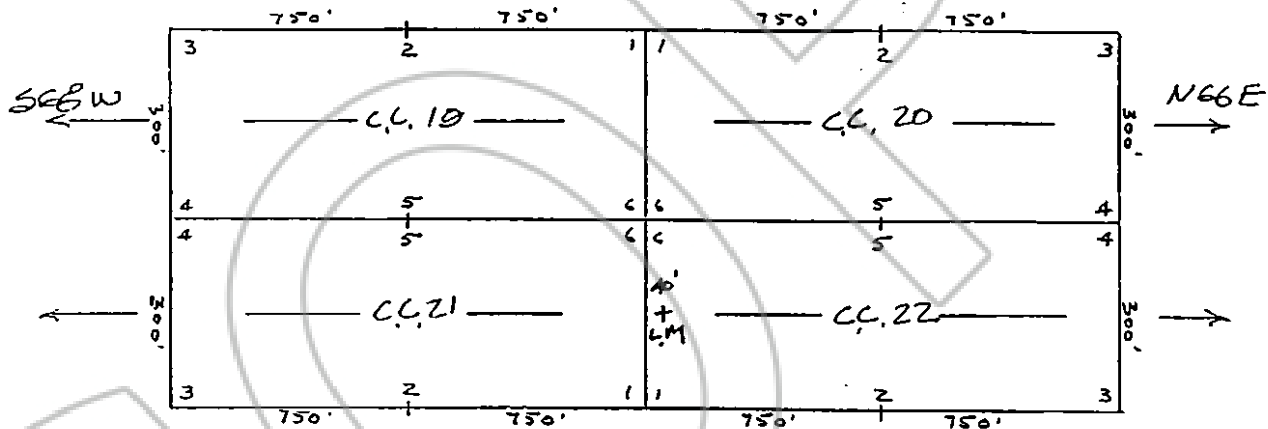
Notice is hereby given that the COAL CANYON No. 22 lode mining claim has been located by H. WALTER SCHULL, a citizen of the United States and whose address is: 901 Walker Ave. Reno, Nevada, 89509.

The general course of this claim is N66°E - S66°W. This claim is 1,500 feet in length along the course of the claim. The point of discovery is 1420 feet in a N66E direction to the NE end line of this claim, and 80 feet in a S66W direction to the SW end line of this claim. This claim is 600 feet in width, being 300 feet in width on each side of the center line of the claim.

This claim is located within the:
SW Quarter of Section 21 of Township 25N, Range 49E;
NW Quarter of Section 21 of Township 25N, Range 49E;
Quarter of Section _____ of Township 25N, Range 49E; and
Quarter of Section _____ of Township 25N, Range 49E
Mount Diablo Base and Meridian, in the UNKNOWN Mining District
of EUREKA County, Nevada.

The location monument of this claim is situated with reference to some natural object or permanent monument as follows: 7680 feet S24°E, and 3480 feet S66°W from the NE corner of section 17 T25N R49E

The corners of this claim are marked by 4" diameter posts of wood or PVC, or 4" diameter blazed and topped trees with metal tags inscribed with the appropriate corner number as shown on the following sketch and the accompanying claim map.



The location work consisted of making the maps as provided in NRS 517.040.

Dated and posted on the ground this 26 day of OCTOBER, 1985.
Dated and signed this 5 day of November, 1985: HWSchull
Locator.

RECORDER'S STAMP:

BOOK 140 PAGE 348

OFFICIAL RECORDS
EUGENE J. BOHRENS
PLUMBER & ELECTRICIAN
MINING CLAIM RECORDER
FILE NO. 100993
FEE \$ 3.75
85 NOV 25 9:18
RECORDED AT REQUEST OF
H. WALTER SCHULL
BOOK 150 PAGE 348

100994

STATE OF NEVADA CERTIFICATE OF MINING LOCATION LODE CLAIM ON PUBLIC DOMAIN

Notice is hereby given that the COAL CANYON No. 23 lode mining claim has been located by H. WALTER SCHULL, a citizen of the United States and whose address is: 901 Walker Ave. Reno, Nevada, 89509.

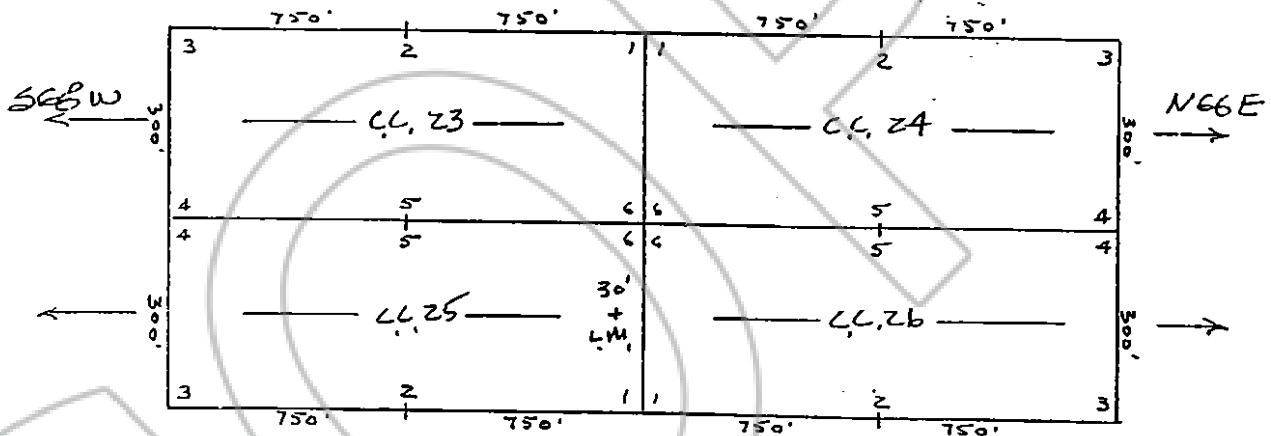
The general course of this claim is N66°E - S66°W. This claim is 1,500 feet in length along the course of the claim. The point of discovery is 30 feet in a N66°E direction to the NE end line of this claim, and 1470 feet in a S66°W direction to the SW end line of this claim. This claim is 600 feet in width, being 300 feet in width on each side of the center line of the claim.

This claim is located within the:

SE Quarter of Section 20 of Township 25N, Range 40E;
NW Quarter of Section 21 of Township 25N, Range 40E;
Quarter of Section _____ of Township 25N, Range 40E; and
Quarter of Section _____ of Township 25N, Range 40E
Mount Diablo Base and Meridian, in the UNKNOWN Mining District
of EUREKA County, Nevada.

The location monument of this claim is situated with reference to some natural object or permanent monument sa follows: 8280 feet S24°E, and 3550 feet S66°W from the NE corner of section 17 T25N R 40E

The corners of this claim are marked by 4" diameter posts of wood or PVC, or 4" diameter blazed and topped trees with metal tags inscribed with the appropriate corner number as shown on the following sketch and the accompanying claim map.



The location work consisted of making the maps as provided in NRS 517.040.

Dated and posted on the ground this 26 day of OCTOBER, 1985.
Dated and signed this 5 day of November, 1985: HWSchull
Locator.

RECORDER'S STAMP:

BOOK 140 PAGE 349

OFFICIAL RECORDS
EUREKA COUNTY, NEVADA
H.H. REBALENTI, RECORDER
FILE NO. 100994
FEE \$ 5.25

85 NOV 25 9:10

RECORDED AT REQUEST OF
H. Walter Schull
BOOK 140 PAGE 349

100995

STATE OF NEVADA CERTIFICATE OF MINING LOCATION LODE CLAIM ON PUBLIC DOMAIN

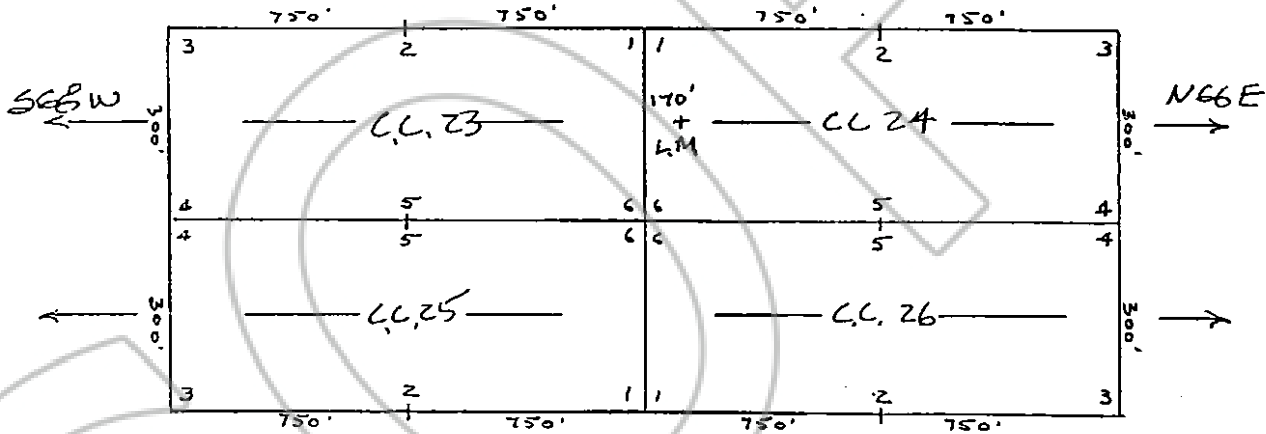
Notice is hereby given that the COAL CANYON No. 24 lode mining claim has been located by H. WALTER SCHULL, a citizen of the United States and whose address is: 901 Walker Ave. Reno, Nevada, 89509.

The general course of this claim is N66°E - S66°W. This claim is 1,500 feet in length along the course of the claim. The point of discovery is 1330 feet in a N66E direction to the NE end line of this claim, and 170 feet in a S66°W direction to the SW end line of this claim. This claim is 600 feet in width, being 300 feet in width on each side of the center line of the claim.

This claim is located within the:
SW Quarter of Section 21 of Township 25N, Range 49E;
Quarter of Section _____ of Township 25N, Range 49E;
Quarter of Section _____ of Township 25N, Range 49E; and
Quarter of Section _____ of Township 25N, Range 49E
Mount Diablo Base and Meridian, in the UNKNOWN Mining District
of EUREKA County, Nevada.

The location monument of this claim is situated with reference to some natural object or permanent monument as follows: 8,200 feet S29°E, and 3,350 feet S66°W from the NE corner of section 17 T25N 49E

The corners of this claim are marked by 4" diameter posts of wood or PVC, or 4" diameter blazed and topped trees with metal tags inscribed with the appropriate corner number as shown on the following sketch and the accompanying claim map.



The location work consisted of making the maps as provided in NRS 517.040.

Dated and posted on the ground this 26 day of OCTOBER, 1985.
Dated and signed this 5 day of November, 1985: H. W. Schull
Locator.

RECORDER'S STAMP:

BOOK 140 PAGE 350

OFFICIAL RECORDS
EUREKA COUNTY, NEVADA
M.H. REBELEATH, RECORDER
FILE NO. 100995
FEE \$ 5.25

25 NOV 25 9:10

RECORDED AT REQUEST OF
H. Walter Schull
BOOK 140 PAGE 350

100996

STATE OF NEVADA CERTIFICATE OF MINNING LOCATION LODE CLAIM ON PUBLIC DOMAIN

Notice is hereby given that the COAL CANYON No. 25 lode mining claim has been located by H. WALTER SCHULL, a citizen of the United States and whose address is: 901 Walker Ave. Reno, Nevada, 89509.

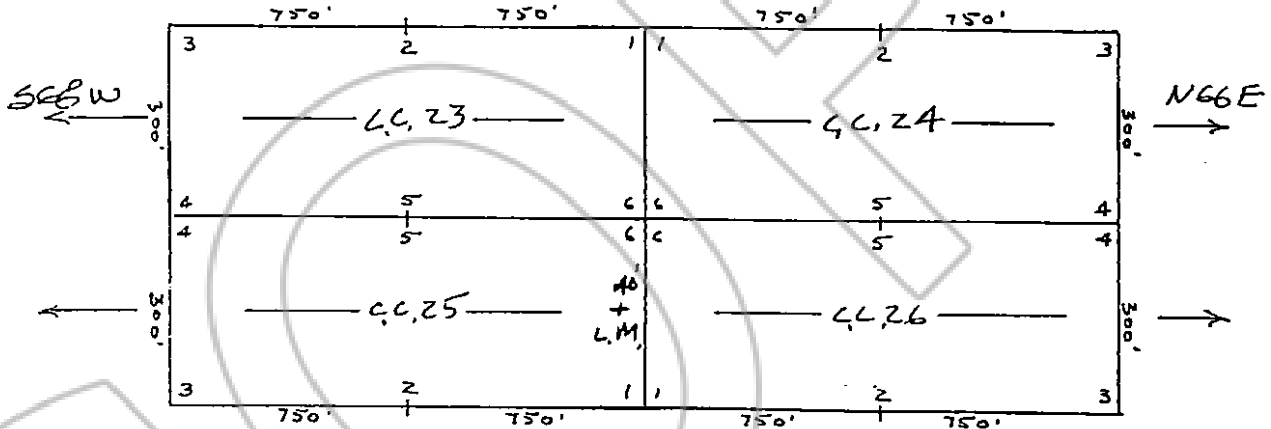
The general course of this claim is N66°E - S66°W. This claim is 1,500 feet in length along the course of the claim. The point of discovery is 40 feet in a N66°E direction to the NE end line of this claim, and 1460 feet in a S66°W direction to the SW end line of this claim. This claim is 600 feet in width, being 300 feet in width on each side of the center line of the claim.

This claim is located within the:

SE Quarter of Section 20 of Township 25N, Range 49E ;
SW Quarter of Section 21 of Township 25N, Range 49E ;
Quarter of Section _____ of Township 25N, Range 49E ; and
Quarter of Section _____ of Township 25N, Range 49E
Mount Diablo Base and Meridian, in the UNKNOWN Mining District
of EUREKA County, Nevada.

The location monument of this claim is situated with reference to some natural object, or permanent monument as follows: 9000 feet S24°E, and 3560 feet S66°W from the NE corner of section 17 T29R 49E

The corners of this claim are marked by 4" diameter posts of wood or PVC, or 4" diameter blazed and topped trees with metal tags inscribed with the appropriate corner number as shown on the following sketch and the accompanying claim map.



The location work consisted of making the maps as provided in NRS 517.040.

Dated and posted on the ground this 26 day of OCTOBER, 1985.

Dated and signed this 5 day of November, 1985: H. W. Schull
a Locator.

RECORDER'S STAMP:

BOOK 140 PAGE 351

OFFICIAL RECORDS
EUREKA COUNTY, NEVADA
M.M. REBALEATI, RECORDER
FILE NO. 100996
FEE \$ 5.75

95 NOV 25 A 9:10

RECORDED AT REQUEST OF
H. Walter Schull
BOOK 140 PAGE 351

100997

STATE OF NEVADA CERTIFICATE OF MINNING LOCATION LODE CLAIM ON PUBLIC DOMAIN

Notice is hereby given that the COAL CANYON No. 26 lode mining claim has been located by H. WALTER SCHULL, a citizen of the United States and whose address is: 901 Walker Ave. Reno, Nevada, 89509.

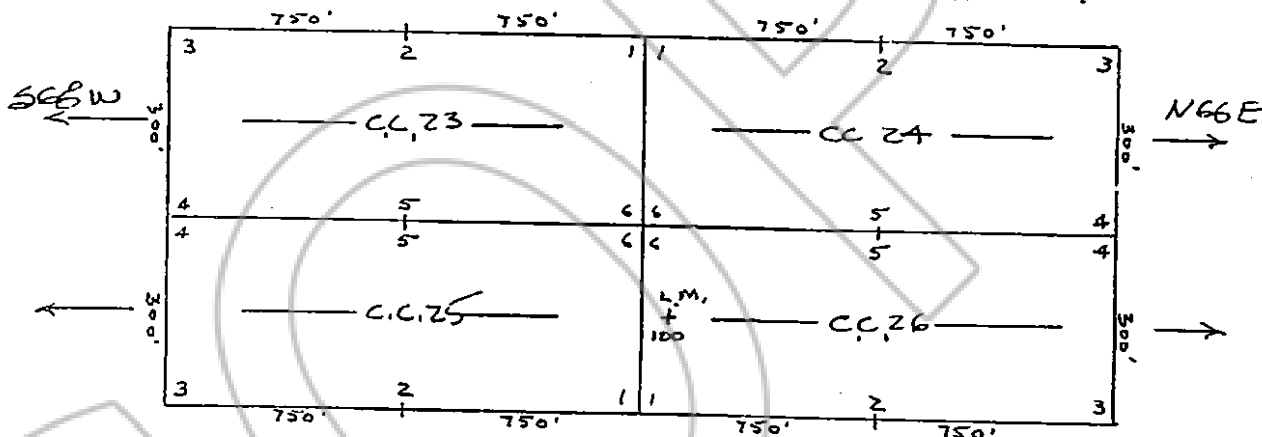
The general course of this claim is N66°E - S66°W. This claim is 1,500 feet in length along the course of the claim. The point of discovery is 1400 feet in a N66°E direction to the NE end line of this claim, and 100 feet in a S66°W direction to the SW end line of this claim. This claim is 600 feet in width, being 300 feet in width on each side of the center line of the claim.

This claim is located within the:

SW Quarter of Section 21 of Township 25N, Range 49E;
Quarter of Section _____ of Township 25N, Range 49E;
Quarter of Section _____ of Township 25N, Range 49E; and
Quarter of Section _____ of Township 25N, Range 49E
Mount Diablo Base and Meridian, in the UNKNOWN Mining District
of EUREKA County, Nevada.

The location monument of this claim is situated with reference to some natural object or permanent monument sa follows: 9080 feet S24°E, and 3420 feet S66°W from the NE corner of section 17 T25N R49E

The corners of this claim are marked by 4" diameter posts of wood or PVC, or 4" diameter blazed and topped trees with metal tags inscribed with the appropriate corner number as shown on the following sketch and the accompanying claim map.



The location work consisted of making the maps as provided in NRS 517.040.

Dated and posted on the ground this 26 day of OCTOBER, 1985.
Dated and signed this 5 day of November, 1985: HWSchull
Locator.

RECORDER'S STAMP:

BOOK 140 PAGE 352

OFFICIAL RECORDS
EUREKA COUNTY NEVADA
MIN. REBALANCE RECORDER
FILE NO. 100997
FEE \$ 5.25

05 NOV 25 A 9:10

RECORDED AT REQUEST
H. WALTER SCHULL
BOOK 140 PAGE 352

100998

STATE OF NEVADA CERTIFICATE OF MINNING LOCATION LODE CLAIM ON PUBLIC DOMAIN

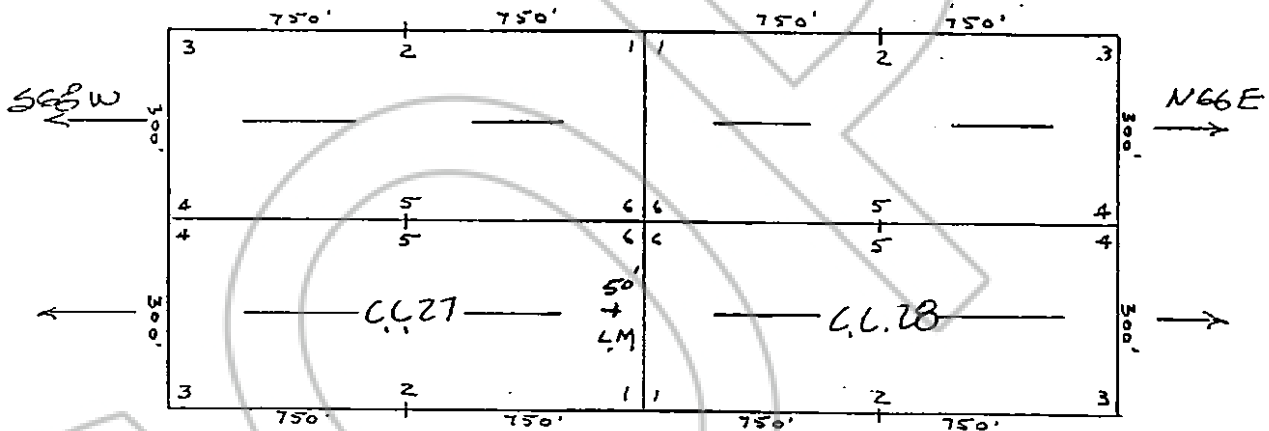
Notice is hereby given that the COAL CANYON No. 27 lode mining claim has been located by H. WALTER SCHULL, a citizen of the United States and whose address is: 901 Walker Ave. Reno, Nevada, 89509.

The general course of this claim is N66°E - S66°W. This claim is 1,500 feet in length along the course of the claim. The point of discovery is 50 feet in a N66°E direction to the NE end line of this claim, and 1450 feet in a S66°W direction to the SW end line of this claim. This claim is 600 feet in width, being 300 feet in width on each side of the center line of the claim.

This claim is located within the:
NW Quarter of Section 17 of Township 25N, Range 49E ;
SW Quarter of Section 17 of Township 25N, Range 49E ;
Quarter of Section _____ of Township 25N, Range 49E ; and
Quarter of Section _____ of Township 25N, Range 49E
Mount Diablo Base and Meridian, in the UNKNOWN Mining District
of EUREKA County, Nevada.

The location monument of this claim is situated with reference to some natural object or permanent monument as follows: 480' feet S24°E, and 3570' feet S66°W from the NE corner of section 17 T25N R 49E

The corners of this claim are marked by 4" diameter posts of wood or PVC, or 4" diameter blazed and topped trees with metal tags inscribed with the appropriate corner number as shown on the following sketch and the accompanying claim map.



The location work consisted of making the maps as provided in NRS 517.040.

Dated and posted on the ground this 19 day of NOVEMBER, 1985.

Dated and signed this 5 day of NOVEMBER, 1985: H. Walter Schull
Locator.

RECORDER'S STAMP:

BOOK 140 PAGE 353

OFFICIAL RECORDS
EUREKA COUNTY, NEVADA
MIN. REBALANCE RECORDER
FILE NO. 100998
FEE \$ 5.25

85 NOV 25 : A 9 : 19

RECORDED AT REQUEST OF
H. Walter Schull
BOOK 140 PAGE 353

100999

STATE OF NEVADA CERTIFICATE OF MINNING LOCATION LODE CLAIM ON PUBLIC DOMAIN

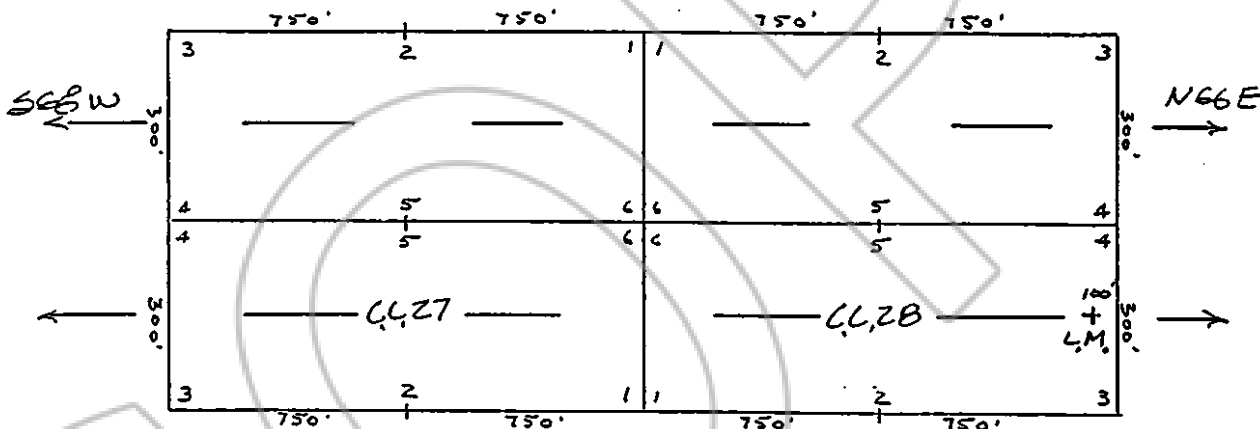
Notice is hereby given that the COAL CANYON No. 28 lode mining claim has been located by H. WALTER SCHULL, a citizen of the United States and whose address is: 901 Walker Ave. Reno, Nevada, 89509.

The general course of this claim is N66°E - S66°W. This claim is 1,500 feet in length along the course of the claim. The point of discovery is 100 feet in a N66°E direction to the NE end line of this claim, and 1400 feet in a S66°W direction to the SW end line of this claim. This claim is 600 feet in width, being 300 feet in width on each side of the center line of the claim.

This claim is located within the:
NE Quarter of Section 17 of Township 25N, Range 40E ;
NW Quarter of Section 17 of Township 25N, Range 40E ;
 Quarter of Section _____ of Township 25N, Range 40E ; and
 Quarter of Section _____ of Township 25N, Range 40E
 Mount Diablo Base and Meridian, in the UNKNOWN Mining District
 of EUREKA County, Nevada.

The location monument of this claim is situated with reference to some natural object or permanent monument @ follows: 400 feet S22°E, and 2120 ~~2120~~ feet S66°W from the NE corner of section 17 T25N R40E

The corners of this claim are marked by 4" diameter posts of wood or PVC, or 4" diameter blazed and topped trees with metal tags inscribed with the appropriate corner number as shown on the following sketch and the accompanying claim map.



The location work consisted of making the maps as provided in NRS 517.040.

Dated and posted on the ground this 29 day of OCTOBER, 1985.
 Dated and signed this 5 day of November, 1985: H. W. Schull

Locator.

RECORDER'S STAMP:

BOOK 140 PAGE 354

OFFICIAL RECORDS
 EUREKA COUNTY, NEVADA
 M. REDALEXIS, RECORDER
 FILE NO. 100999
 FEE \$ 5.75

85 NOV 25 9:11

RECORDED AT REQUEST OF
 H. WALTER SCHULL
 BOOK 140 PAGE 354

101000

STATE OF NEVADA CERTIFICATE OF MINING LOCATION LODE CLAIM ON PUBLIC DOMAIN

Notice is hereby given that the COAL CANYON No. 20 lode mining claim has been located by H. WALTER SCHULL, a citizen of the United States and whose address is: 901 Walker Ave. Reno, Nevada, 89509.

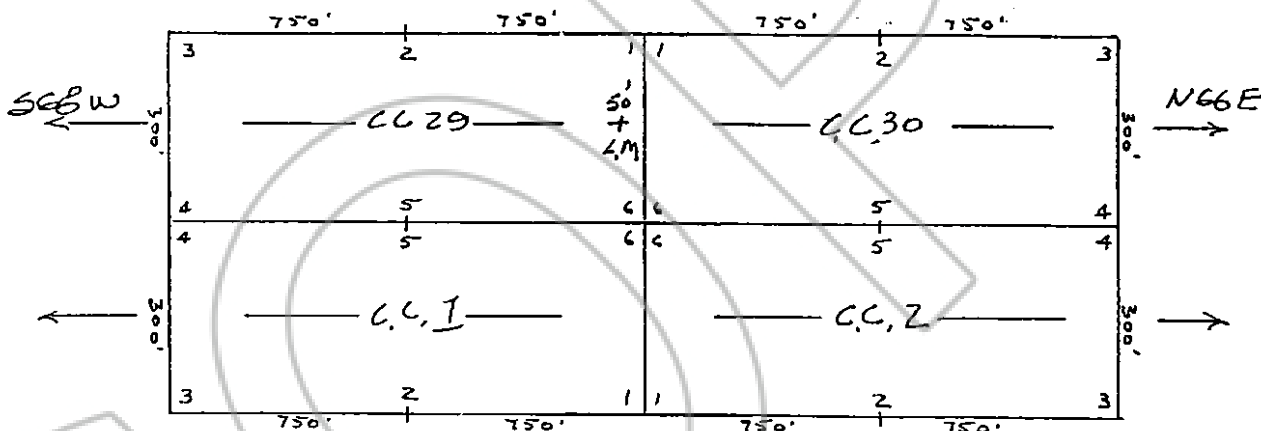
The general course of this claim is N66°E - S66°W. This claim is 1,500 feet in length along the course of the claim. The point of discovery is 50 feet in a N66°E direction to the NE end line of this claim, and 1450 feet in a S66°W direction to the SW end line of this claim. This claim is 600 feet in width, being 300 feet in width on each side of the center line of the claim.

This claim is located within the:

NW Quarter of Section 17 of Township 25N, Range 49E;
SW Quarter of Section 17 of Township 25N, Range 49E;
SE Quarter of Section 17 of Township 25N, Range 49E; and
~~SW~~ Quarter of Section ~~17~~ of Township 25N, Range 49E
 Mount Diablo Base and Meridian, in the UNKNOWN Mining District
 of EUREKA County, Nevada.

The location monument of this claim is situated with reference to some natural object or permanent monument as follows: 1080 feet S24°E, and 3570 feet S66°W from the NE corner of section 17 T25N R49E

The corners of this claim are marked by 4" diameter posts of wood or PVC, or 4" diameter blazed and topped trees with metal tags inscribed with the appropriate corner number as shown on the following sketch and the accompanying claim map.



The location work consisted of making the maps as provided in NRS 517.040.

Dated and posted on the ground this 25 day of OCTOBER, 1985.
 Dated and signed this 5 day of November, 1985: HWSchull
 Locater.

RECORDER'S STAMP:

BOOK 140 PAGE 355

OFFICIAL RECORDS
 EUREKA COUNTY, NEVADA
 FILE NO. 101000
 FEE \$ 5.25

85 NOV 25 9:11

RECORDED AT REQUEST OF
 H. Walter Schull
 901 Walker Ave. Reno, NV 89509

101001

STATE OF NEVADA CERTIFICATE OF MINING LOCATION LODE CLAIM ON PUBLIC DOMAIN

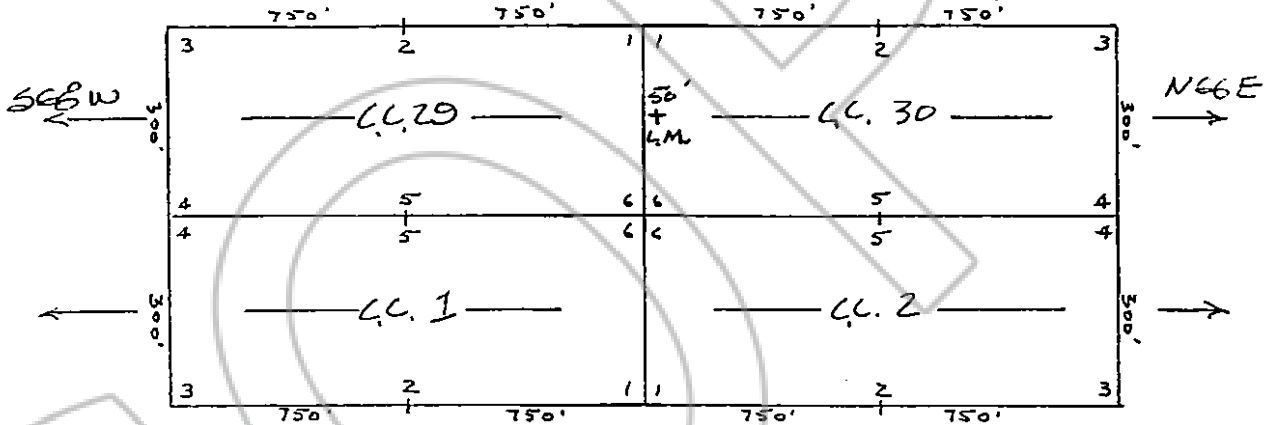
Notice is hereby given that the COAL CANYON No. 30 lode mining claim has been located by H. WALTER SCHULL, a citizen of the United States and whose address is: 901 Walker Ave. Reno, Nevada, 89509.

The general course of this claim is N66°E - S66°W. This claim is 1,500 feet in length along the course of the claim. The point of discovery is 1450 feet in a N66°E direction to the NE end line of this claim, and 50 feet in a S66°W direction to the SW end line of this claim. This claim is 600 feet in width, being 300 feet in width on each side of the center line of the claim.

This claim is located within the:
NE Quarter of Section 17 of Township 25N, Range 40E ;
NW Quarter of Section 17 of Township 25N, Range 40E ;
SE Quarter of Section 17 of Township 25N, Range 40E ; and
Quarter of Section _____ of Township 25N, Range 40E
Mount Diablo Base and Meridian, in the UNKNOWN Mining District
of EUREKA County, Nevada.

The location monument of this claim is situated with reference to some natural object or permanent monument as follows: 1080 feet S24°E, and 3470 feet S66°W from the NE corner of section 17 T25N R 40E

The corners of this claim are marked by 4" diameter posts of wood or PVC, or 4" diameter blazed and topped trees with metal tags inscribed with the appropriate corner number as shown on the following sketch and the accompanying claim map.



The location work consisted of making the maps as provided in NRS 517.040.

Dated and posted on the ground this 25 day of OCTOBER, 1985.
Dated and signed this 5 day of November, 1985: H. Walter Schull

RECORDER'S STAMP:

RECORDER AT REQUEST OF
H. Walter Schull
BOOK 140 PAGE 356
1985 NOV 25 A 9:11
OFFICIAL RECORDS
EUREKA COUNTY, NEVADA
M.H. REBALEATI, RECORDER
FILE NO. 101001
FEE \$ 5.25
Locator.

BOOK 140 PAGE 356

101002

STATE OF NEVADA CERTIFICATE OF MINNING LOCATION LODE CLAIM ON PUBLIC DOMAIN

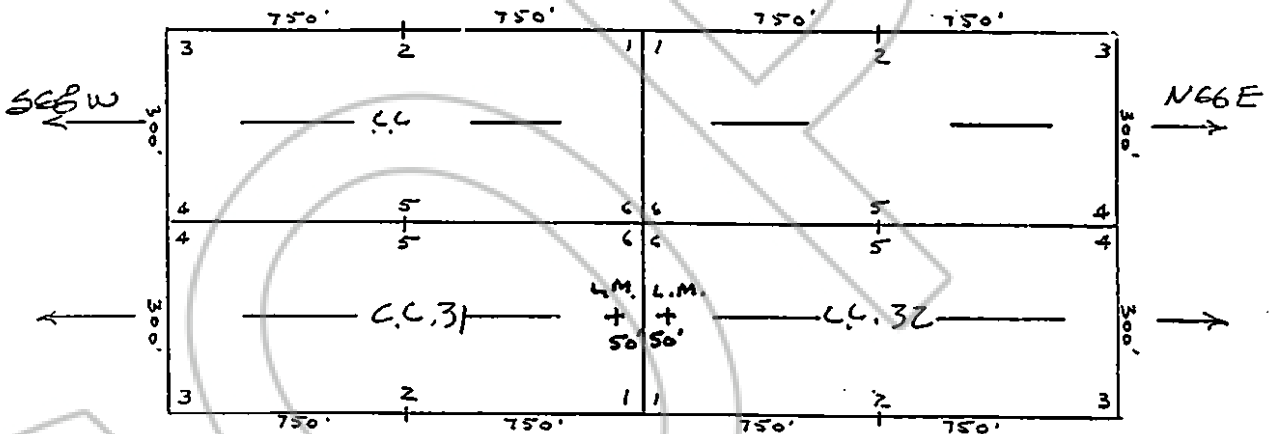
Notice is hereby given that the COAL CANYON No. 31 lode mining claim has been located by H. WALTER SCHULL, a citizen of the United States and whose address is: 901 Walker Ave. Reno, Nevada, 89509.

The general course of this claim is N66°E - S66°W. This claim is 1,500 feet in length along the course of the claim. The point of discovery is 50' feet in a N66°E direction to the NE end line of this claim, and 1,450' feet in a S66°W direction to the SW end line of this claim. This claim is 600 feet in width, being 300 feet in width on each side of the center line of the claim.

This claim is located within the: SE Quarter of Section 18 of Township 25N, Range 49E; SE Quarter of Section 18 of Township 25N, Range 49E; SE Quarter of Section 18 of Township 25N, Range 49E; and SE Quarter of Section 18 of Township 25N, Range 49E Mount Diablo Base and Meridian, in the UNKNOWN Mining District of EUREKA County, Nevada.

The location monument of this claim is situated with reference to some natural object or permanent monument as follows: 480 feet S24°E, and 6570' feet S66°W from the NE corner of section 17 T25N R 49E

The corners of this claim are marked by 4" diameter posts of wood or PVC, or 4" diameter blazed and topped trees with metal tags inscribed with the appropriate corner number as shown on the following sketch and the accompanying claim map.



The location work consisted of making the maps as provided in NRS 517.040.

Dated and posted on the ground this 20 day of NOVEMBER, 1985.

Dated and signed this 5 day of November, 1985: H. W. Schull Locator.

RECORDER'S STAMP:

BOOK 140 PAGE 357

OFFICIAL RECORDS
EUREKA COUNTY, NEVADA
MIN. REGALENT RECORDER
FILE NO. 101002
FEE \$ 5.75

85 NOV 25 1985 11

RECORDED AT REQUEST OF
H. WALTER SCHULL
BOOK 140 PAGE 357

101003

STATE OF NEVADA CERTIFICATE OF MINING LOCATION LODE CLAIM ON PUBLIC DOMAIN

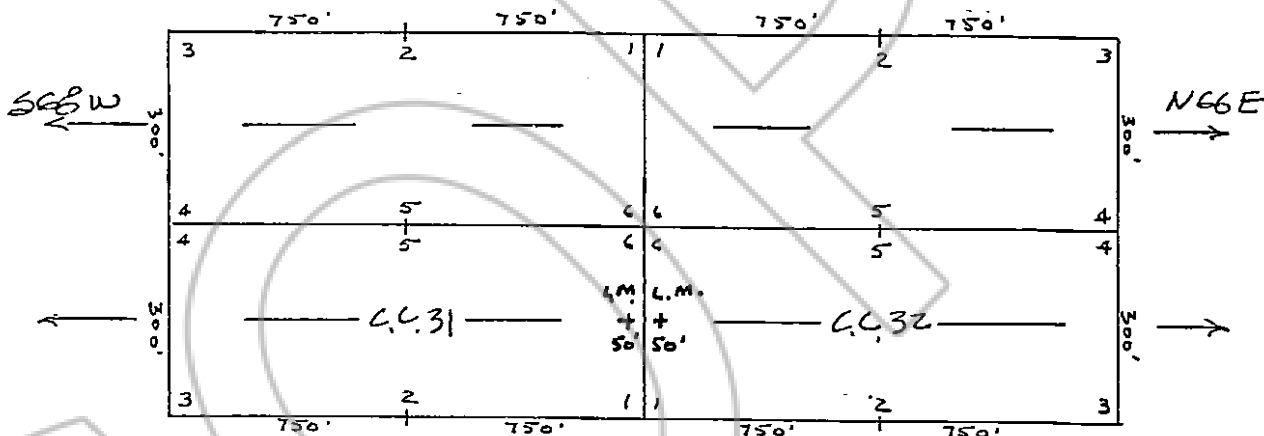
Notice is hereby given that the COAL CANYON No. 32 lode mining claim has been located by H. WALTER SCHULL, a citizen of the United States and whose address is: 901 Walker Ave. Reno, Nevada, 89509.

The general course of this claim is N66°E - S66°W. This claim is 1,500 feet in length along the course of the claim. The point of discovery is 1450' feet in a N66°E direction to the NE end line of this claim, and 50' feet in a S66°W direction to the SW end line of this claim. This claim is 600 feet in width, being 300 feet in width on each side of the center line of the claim.

This claim is located within the:
SW Quarter of Section 17 of Township 25N, Range 49E;
SE Quarter of Section 18 of Township 25N, Range 49E;
NE Quarter of Section 17 of Township 25N, Range 49E; and
Quarter of Section of Township 25N, Range 49E
Mount Diablo Base and Meridian, in the UNKNOWN Mining District
of EUREKA County, Nevada.

The location monument of this claim is situated with reference to some natural object or permanent monument as follows: 480' feet S24°E, and 6470' feet S66°W from the NE corner of section 17 T25N R49E

The corners of this claim are marked by 4" diameter posts of wood or PVC, or 4" diameter blazed and topped trees with metal tags inscribed with the appropriate corner number as shown on the following sketch and the accompanying claim map.



The location work consisted of making the maps as provided in NRS 517.040.

Dated and posted on the ground this 20 day of NOVEMBER, 1985.
Dated and signed this 5 day of November, 1985:

H. Walter Schull
Locator.

RECORDER'S STAMP:

BOOK 140 PAGE 358

OFFICIAL RECORDS
EUREKA COUNTY, NEVADA
M.H. REBALENTI, RECORDER
FILE NO. 101003
FEE \$ 575

85 NOV 25, 9:11

RECORDED AT REQUEST OF
H. Walter Schull
BOOK 140 PAGE 358

101004

STATE OF NEVADA CERTIFICATE OF MINNING LOCATION LODE CLAIM ON PUBLIC DOMAIN

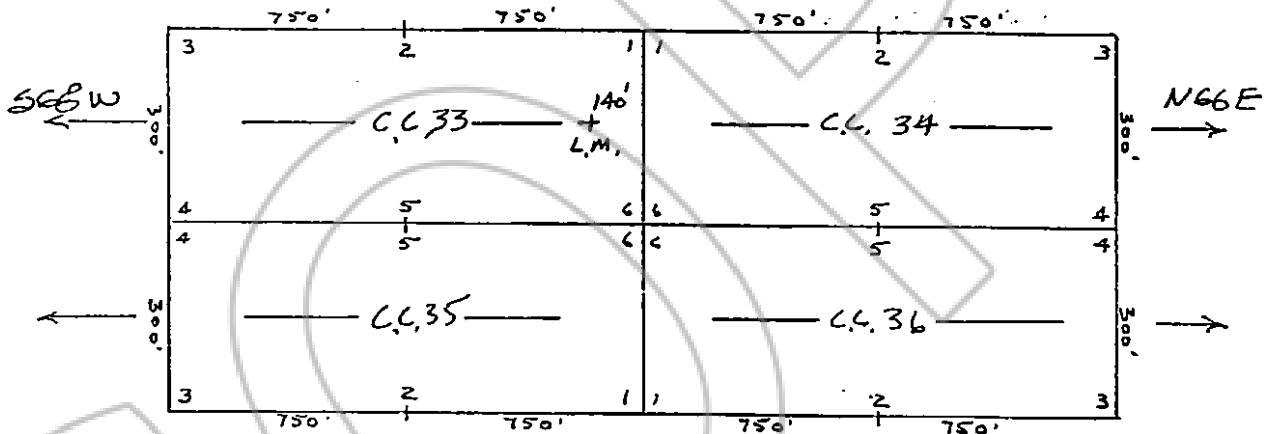
Notice is hereby given that the COAL CANYON No. 33 lode mining claim has been located by H. WALTER SCHULL, a citizen of the United States and whose address is: 901 Walker Ave. Reno, Nevada, 89509.

The general course of this claim is N66°E - S66°W. This claim is 1,500 feet in length along the course of the claim. The point of discovery is 140 feet in a N66°E direction to the NE end line of this claim, and 1360 feet in a S66°W direction to the SW end line of this claim. This claim is 600 feet in width, being 300 feet in width on each side of the center line of the claim.

This claim is located within the:
SW Quarter of Section 18 of Township 25N, Range 49E ;
Quarter of Section _____ of Township 25N, Range 49E ;
Quarter of Section _____ of Township 25N, Range 49E ; and
Quarter of Section _____ of Township 25N, Range 49E ;
Mount Diablo Base and Meridian, in the UNKNOWN Mining District
of EUREKA County, Nevada.

The location monument of this claim is situated with reference to some natural object or permanent monument sa follows: 1000 feet S24°E, and 660 feet S66°W from the NE corner of section 17 T25N R 49E

The corners of this claim are marked by 4" diameter posts of wood or PVC, or 4" diameter blazed and topped trees with metal tags inscribed with the appropriate corner number as shown on the following sketch and the accompanying claim map.



The location work consisted of making the maps as provided in NRS 517.040.

Dated and posted on the ground this - 27 day of OCTOBER, 1985.

Dated and signed this 5 day of November, 1985: HWSchull

Locator.

RECORDER'S STAMP:

BOOK 140 PAGE 359

OFFICIAL RECORDS
EUREKA COUNTY, NEVADA
M.N. REBALANCE RECORDER
FILE NO. 101004
FEE \$ 525

85 NOV 25, 4 9: 11

RECORDED AT REQUEST OF
H. Walter Schull
BOOK 140 PAGE 359

101005

STATE OF NEVADA CERTIFICATE OF MINNING LOCATION LODE CLAIM ON PUBLIC DOMAIN

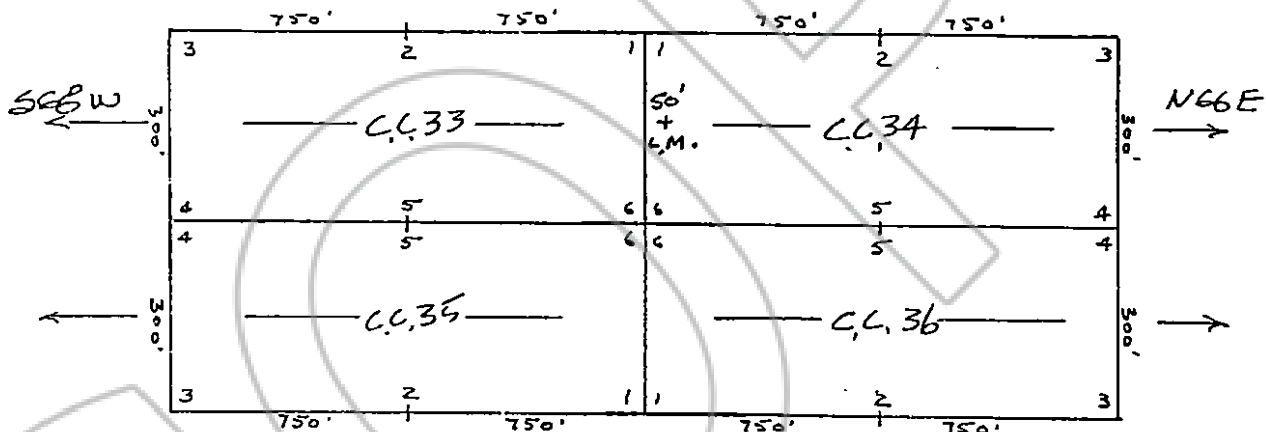
Notice is hereby given that the COAL CANYON No. 34 lode mining claim has been located by H. WALTER SCHULL, a citizen of the United States and whose address is: 901 Walker Ave. Reno, Nevada, 89509.

The general course of this claim is N66°E - S66°W. This claim is 1,500 feet in length along the course of the claim. The point of discovery is 1450 feet in a N66°E direction to the NE end line of this claim, and 50 feet in a S66°W direction to the NW end line of this claim. This claim is 600 feet in width, being 300 feet in width on each side of the center line of the claim.

This claim is located within the: SW Quarter of Section 17 of Township 25N, Range 40E; SE Quarter of Section 18 of Township 25N, Range 40E; SW Quarter of Section 17 of Township 25N, Range 40E; and SE Quarter of Section 18 of Township 25N, Range 40E; Mount Diablo Base and Meridian, in the UNKNOWN Mining District of EUREKA County, Nevada.

The location monument of this claim is situated with reference to some natural object or permanent monument sa follows: 1000 feet S24°E, and 6470 feet S66°W from the NE corner of section 17 T25N R40E

The corners of this claim are marked by 4" diameter posts of wood or PVC, or 4" diameter blazed and topped trees with metal tags inscribed with the appropriate corner number as shown on the following sketch and the accompanying claim map.



The location work consisted of making the maps as provided in NRS 517.040.

Dated and posted on the ground this - 27 day of OCTOBER, 1985.
Dated and signed this 5 day of November, 1985: H. Walter Schull Locator.

RECORDER'S STAMP:

BOOK 140 PAGE 360

OFFICIAL RECORDS
EUREKA COUNTY, NEVADA
M.N. REBALEA RECORDER
FILE NO. 101005
FEE \$ 5.25

85 NOV 25, A 9:11

RECORDED AT REQUEST OF
H. Walter Schull
BOOK 140 PAGE 360

101006

STATE OF NEVADA CERTIFICATE OF MINNING LOCATION LODE CLAIM ON PUBLIC DOMAIN

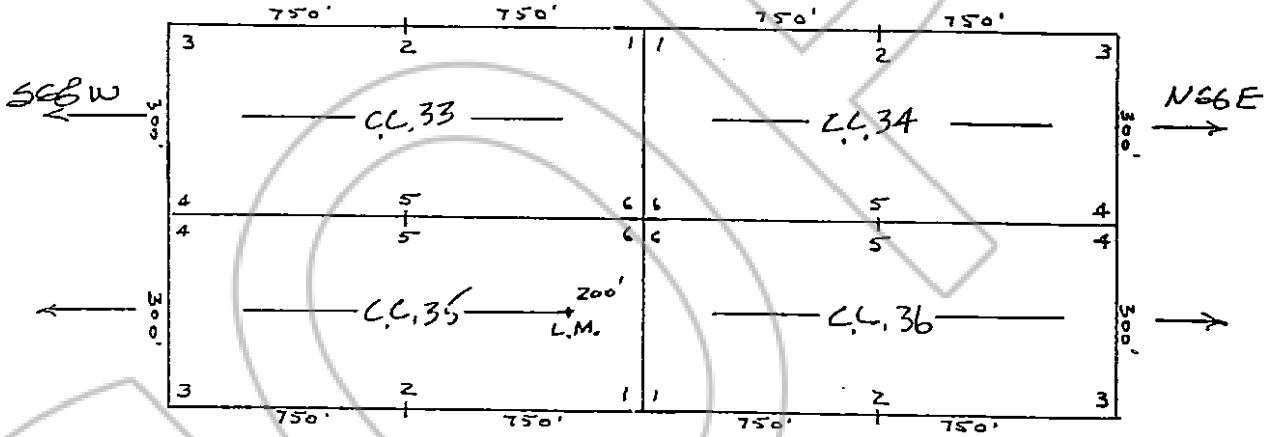
Notice is hereby given that the COAL CANYON No. 35 lode mining claim has been located by H. WALTER SCHULL, a citizen of the United States and whose address is: 901 Walker Ave. Reno, Nevada, 89509.

The general course of this claim is N66°E - S66°W. This claim is 1,500 feet in length along the course of the claim. The point of discovery is 200 feet in a N66°E direction to the NE end line of this claim, and 1300 feet in a S66°W direction to the SW end line of this claim. This claim is 600 feet in width, being 300 feet in width on each side of the center line of the claim.

This claim is located within the:
SE Quarter of Section 18 of Township 25N, Range 40E;
SW Quarter of Section 17 of Township 25N, Range 40E;
Quarter of Section _____ of Township 25N, Range 40E; and
Quarter of Section _____ of Township 25N, Range 40E
Mount Diablo Base and Meridian, in the UNKNOWN Mining District
of EUREKA County, Nevada.

The location monument of this claim is situated with reference to some natural object or permanent monument as follows: 1600 feet S24°E, and 6720 feet S66°W from the NE corner of section 17 T25N R40E

The corners of this claim are marked by 4" diameter posts of wood or PVC, or 4" diameter blazed and topped trees with metal tags inscribed with the appropriate corner number as shown on the following sketch and the accompanying claim map.



The location work consisted of making the maps as provided in NRS 517.040.

Dated and posted on the ground this 27 day of OCTOBER, 1985.

Dated and signed this 5 day of November, 1985: H. W. Schull
Locator.

RECORDER'S STAMP:

BOOK | 40 PAGE 36 |

OFFICIAL RECORDS
EUREKA COUNTY, NEVADA
M.H. REBALEATI, RECORDER
FILE NO. 101006
P.E. 525

85 NOV 25 A 9:11

RECORDED AT REQUEST OF
H. Walter Schull
BOOK 40 PAGE 36

101007

STATE OF NEVADA CERTIFICATE OF MINING LOCATION LOSE CLAIM ON PUBLIC DOMAIN

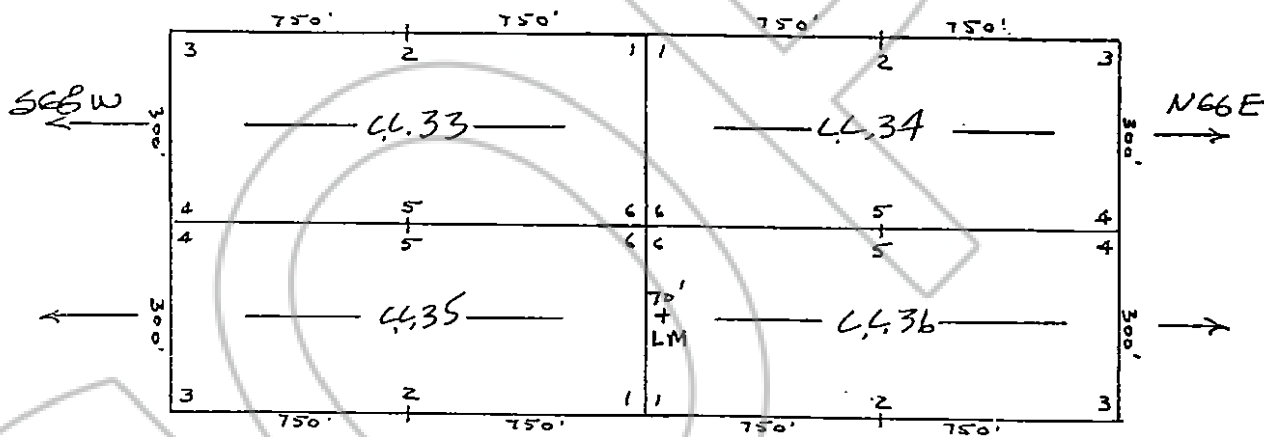
Notice is hereby given that the COAL CANYON No. 36 lode mining claim has been located by H. WALTER SCHULL, a citizen of the United States and whose address is: 901 Walker Ave. Reno, Nevada, 89509.

The general course of this claim is N66°E - S66°W. This claim is 1,500 feet in length along the course of the claim. The point of discovery is 1430 feet in a N66°E direction to the NE end line of this claim, and 70 feet in a S66°W direction to the SW end line of this claim. This claim is 600 feet in width, being 300 feet in width on each side of the center line of the claim.

This claim is located within the:
SE Quarter of Section 17 of Township 25N, Range 49E;
Quarter of Section _____ of Township 25N, Range 49E;
Quarter of Section _____ of Township 25N, Range 49E; and
Quarter of Section _____ of Township 25N, Range 49E
Mount Diablo Base and Meridian, in the UNKNOWN Mining District
of EUREKA County, Nevada.

The location monument of this claim is situated with reference to some natural object or permanent monument as follows: 1600 feet S24°E, and 6450 feet S66°W from the NE corner of section 17 T25N R49E

The corners of this claim are marked by 4" diameter posts of wood or PVC, or 4" diameter blazed and topped trees with metal tags inscribed with the appropriate corner number as shown on the following sketch and the accompanying claim map.



The location work consisted of making the maps as provided in NRS 517.040.

Dated and posted on the ground this 27 day of OCTOBER, 1985.
Dated and signed this 5 day of November, 1985: H. W. Schull
Locator.

RECORDER'S STAMP:

BOOK 140 PAGE 362

OFFICIAL RECORDS
EUREKA COUNTY, NEVADA
M.H. REGALEATI, RECORDER
FILE NO. 101007
FEE: \$ 5.25
85 NOV 25 9:11
RECORDED AT REQUEST OF
H. Walter Schull
BOOK 140 PAGE 362

101008

STATE OF NEVADA CERTIFICATE OF MINNING LOCATION LODE CLAIM ON PUBLIC DOMAIN

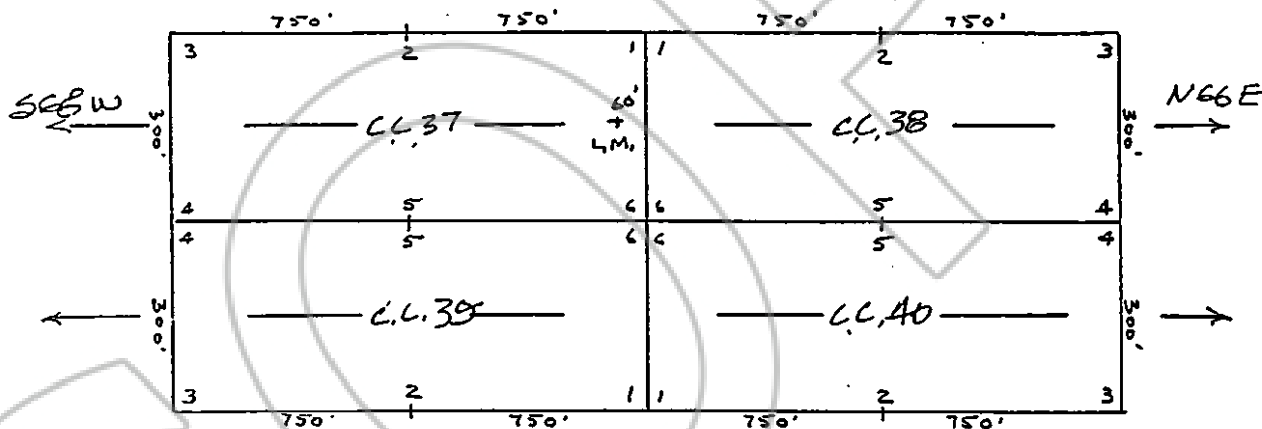
Notice is hereby given that the COAL CANYON No. 37 lode mining claim has been located by H. WALTER SCHULL, a citizen of the United States and whose address is: 901 Walker Ave. Reno, Nevada, 89509.

The general course of this claim is N66°E - S66°W. This claim is 1,500 feet in length along the course of the claim. The point of discovery is 60 feet in a N66°E direction to the NE end line of this claim, and 1440 feet in a S66°W direction to the SW end line of this claim. This claim is 600 feet in width, being 300 feet in width on each side of the center line of the claim.

This claim is located within the:
SW Quarter of Section 18 of Township 25N, Range 49E ;
SE Quarter of Section 17 of Township 25N, Range 49E ;
NE Quarter of Section 15 of Township 25N, Range 49E ; and
Quarter of Section _____ of Township 25N, Range 49E
Mount Diablo Base and Meridian, in the UNKNOWN Mining District
of EUREKA County, Nevada.

The location monument of this claim is situated with reference to some natural object or permanent monument sa follows: 2200 feet SURE, and 6580 feet S66°W from the NE corner of section 17 T25N R 49E

The corners of this claim are marked by 4" diameter posts of wood or PVC, or 4" diameter blazed and topped trees with metal tags inscribed with the appropriate corner number as shown on the following sketch and the accompanying claim map.



The location work consisted of making the maps as provided in NRS 517.040.

Dated and posted on the ground this -27 day of OCTOBER, 1985.
Dated and signed this 5 day of November, 1985: H. Walter Schull
e Locator.

RECORDER'S STAMP:

BOOK | 40 PAGE 363

OFFICIAL RECORDS
EUREKA COUNTY, NEVADA
MIN. REBALANCE RECORDER
FILE NO. 101008
FEE \$ 5.25

85 NOV 25 A 9:11

RECORDED AT REQUEST OF
H. Walter Schull
BOOK 40 PAGE 363

101009

STATE OF NEVADA CERTIFICATE OF MINING LOCATION LODE CLAIM ON PUBLIC DOMAIN

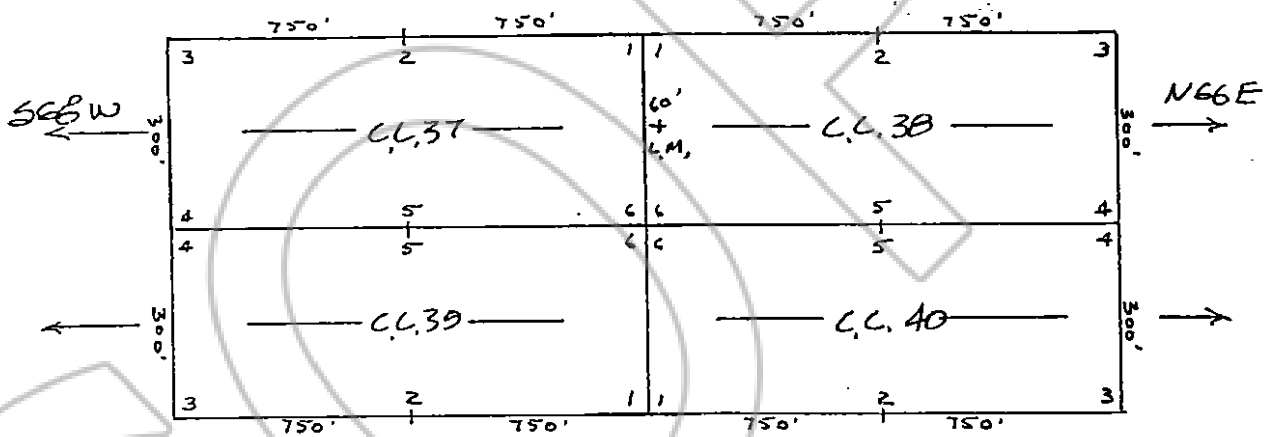
Notice is hereby given that the COAL CANYON No. 38 lode mining claim has been located by H. WALTER SCHULL, a citizen of the United States and whose address is: 901 Walker Ave. Reno, Nevada, 89509.

The general course of this claim is N66°E - 566°W. This claim is 1,500 feet in length along the course of the claim. The point of discovery is 1440 feet in a N66°E direction to the NE end line of this claim, and 60 feet in a 566°W direction to the SW end line of this claim. This claim is 600 feet in width, being 300 feet in width on each side of the center line of the claim.

This claim is located within the:
SW Quarter of Section 17 of Township 25N, Range 49E ;
Quarter of Section _____ of Township 25N, Range 49E ;
Quarter of Section _____ of Township 25N, Range 49E ; and
Quarter of Section _____ of Township 25N, Range 49E ;
Mount Diablo Base and Meridian, in the UNKNOWN Mining District
of EUREKA County, Nevada.

The location monument of this claim is situated with reference to some natural object or permanent monument as follows: 2,280 feet S24°E, and 6460 feet 566°W from the NE corner of section 17 T25N R49E

The corners of this claim are marked by 4" diameter posts of wood or PVC, or 4" diameter blazed and topped trees with metal tags inscribed with the appropriate corner number as shown on the following sketch and the accompanying claim map.



The location work consisted of making the maps as provided in NRS 517.040.

Dated and posted on the ground this 27 day of OCTOBER, 1985.
Dated and signed this 5 day of NOVEMBER, 1985: HWSchull
Locator.

RECORDER'S STAMP:

BOOK 140 PAGE 364

OFFICIAL RECORDS
EUREKA COUNTY, NEVADA
MIN. REBALANCE RECORDER
FILE NO. 101009
FEE \$ 575

85 NOV 25 9:11

RECORDED AT REQUEST OF
H. Walter Schull
BOOK 140 PAGE 364

101010

STATE OF NEVADA CERTIFICATE OF MINNING LOCATION LODE CLAIM ON PUBLIC DOMAIN

Notice is hereby given that the COAL CANYON No. 39 lode mining claim has been located by H. WALTER SCHULL, a citizen of the United States and whose address is: 901 Walker Ave. Reno, Nevada, 89509.

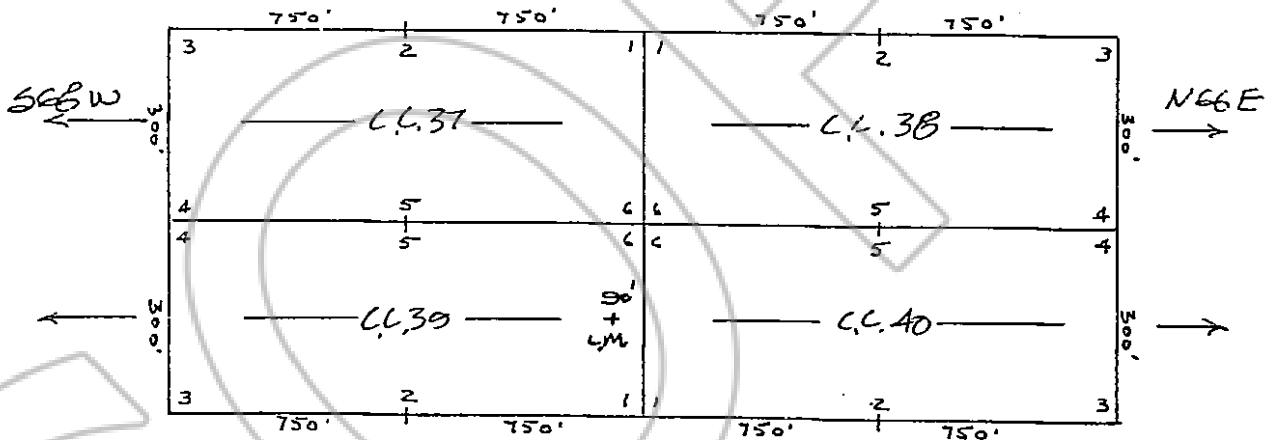
The general course of this claim is N66°E - S66°W. This claim is 1,500 feet in length along the course of the claim. The point of discovery is 90 feet in a N66°E direction to the NE end line of this claim, and 1410 feet in a S66°W direction to the SW end line of this claim. This claim is 600 feet in width, being 300 feet in width on each side of the center line of the claim.

This claim is located within the:

NE Quarter of Section 19 of Township 25N, Range 40E;
NW Quarter of Section 20 of Township 25N, Range 40E;
SW Quarter of Section 17 of Township 25N, Range 40E; and
Quarter of Section _____ of Township 25N, Range 40E
Mount Diablo Base and Meridian, in the UNKNOWN Mining District
of EUREKA County, Nevada.

The location monument of this claim is situated with reference to some natural object or permanent monument as follows: 2880 feet S24°E, and 660 feet S66°W from the NE corner of section 17 T25N R40E

The corners of this claim are marked by 4" diameter posts of wood or PVC, or 4" diameter blazed and topped trees with metal tags inscribed with the appropriate corner number as shown on the following sketch and the accompanying claim map.



The location work consisted of making the maps as provided in NRS 517.040.

Dated and posted on the ground this 27 day of OCTOBER, 1985.

Dated and signed this 5 day of November, 1985: H. Walter Schull
Locator.

RECORDER'S STAMP:

BOOK 140 PAGE 365

OFFICIAL RECORDS
EUREKA COUNTY, NEVADA
N.M. REBALENTI, RECORDER
FILE NO. 101010
FEE \$ 5.25

85 NOV 25 A 9:11

RECORDED AT REQUEST OF
H. Walter Schull
BOOK 140 PAGE 365

101011

STATE OF NEVADA CERTIFICATE OF MINING LOCATION LODE CLAIM ON PUBLIC DOMAIN

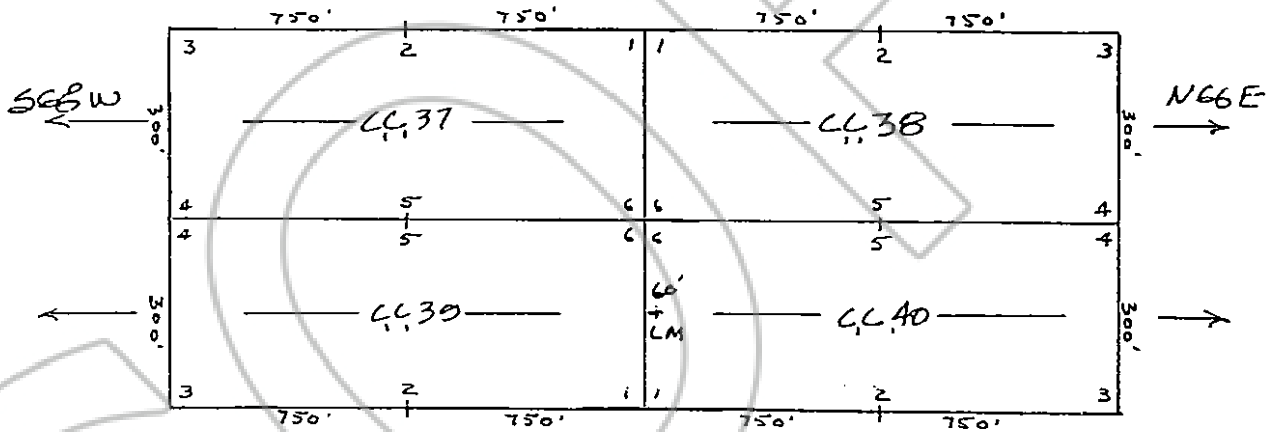
Notice is hereby given that the COAL CANYON No. 40 lode mining claim has been located by H. WALTER SCHULL, a citizen of the United States and whose address is: 901 Walker Ave. Reno, Nevada, 89509.

The general course of this claim is N66°E - S66°W. This claim is 1,500 feet in length along the course of the claim. The point of discovery is 1440 feet in a N66E direction to the NE end line of this claim, and 60 feet in a S66W direction to the SW end line of this claim. This claim is 600 feet in width, being 300 feet in width on each side of the center line of the claim.

This claim is located within the:
SW Quarter of Section 17 of Township 25N, Range 49E ;
NW Quarter of Section 20 of Township 25N, Range 49E ;
Quarter of Section _____ of Township 25N, Range 49E ; and
Quarter of Section _____ of Township 25N, Range 49E
Mount Diablo Base and Meridian, in the UNKNOWN Mining District
of EUREKA County, Nevada.

The location monument of this claim is situated with reference to some natural object or permanent monument as follows: 2000 feet S24°E, and 6460 feet S66°W from the NE corner of section 17 T25N R 49E

The corners of this claim are marked by 4" diameter posts of wood or PVC, or 4" diameter blazed and topped trees with metal tags inscribed with the appropriate corner number as shown on the following sketch and the accompanying claim map.



The location work consisted of making the maps as provided in NRS 517.040.

Dated and posted on the ground this -27 day of OCTOBER, 1985.
Dated and signed this 5 day of November, 1985: H. W. Schull

RECORDER'S STAMP:

BOOK 140 PAGE 366

Locator.
OFFICIAL RECORDS
CLERK OF COUNTY CLERK
MIN. REVENUE
FILE NO. 101011
FEE \$ 5.75

NOV 25 4 9 : 11

RECORDED AT REQUEST OF
H. Walter Schull
3000 140 1000 366

101012

STATE OF NEVADA CERTIFICATE OF MINING LOCATION LOSE CLAIM ON PUBLIC DOMAIN

Notice is hereby given that the COAL CANYON No. 41 lode mining claim has been located by H. WALTER SCHULL, a citizen of the United States and whose address is: 901 Walker Ave. Reno, Nevada, 89509.

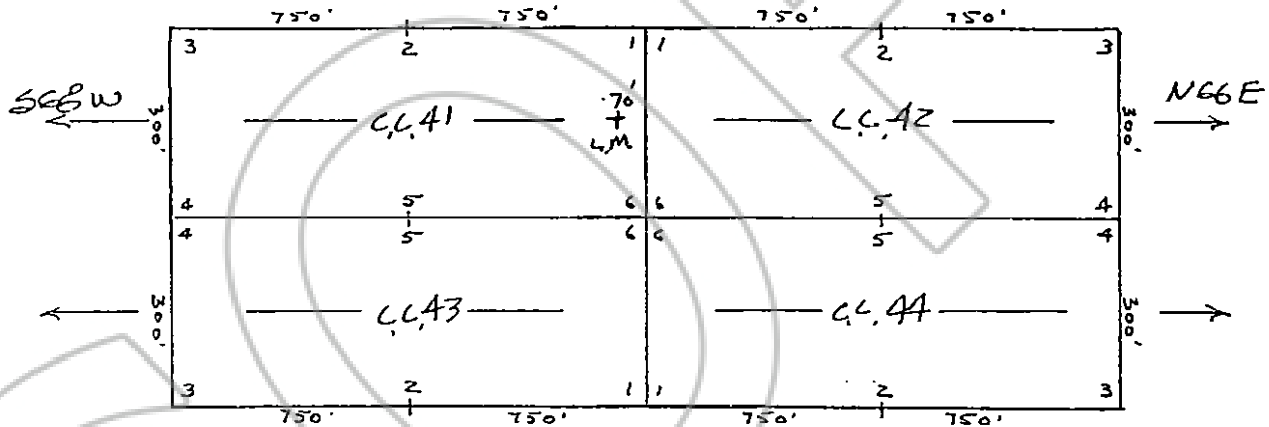
The general course of this claim is N66°E - S66°W. This claim is 1,500 feet in length along the course of the claim. The point of discovery is 70 feet in a N66E direction to the NE end line of this claim, and 1430 feet in a S66°W direction to the SW end line of this claim. This claim is 600 feet in width, being 300 feet in width on each side of the center line of the claim.

This claim is located within the:

NE Quarter of Section 19 of Township 25N, Range 49E ;
NW Quarter of Section 20 of Township 25N, Range 49E ;
Quarter of Section _____ of Township 25N, Range 49E ; and
Quarter of Section _____ of Township 25N, Range 49E
Mount Diablo Base and Meridian, in the UNKNOWN Mining District
of EUREKA County, Nevada.

The location monument of this claim is situated with reference to some natural object or permanent monument @ follows: 3480 feet S24°E, and 6590 feet S66°W from the NE corner of section 17 T25N R49E

The corners of this claim are marked by 4" diameter posts of wood or PVC, or 4" diameter blazed and topped trees with metal tags inscribed with the appropriate corner number as shown on the following sketch and the accompanying claim map.



The location work consisted of making the maps as provided in NRS 517.040.

Dated and posted on the ground this 27 day of OCTOBER, 1985.

Dated and signed this 5 day of November, 1985: H. W. Schull
Locator.

RECORDER'S STAMP:

BOOK 140 PAGE 367

OFFICIAL RECORDS
EUREKA COUNTY, NEVADA
MIN. REVEALMENT RECORDER
FILE NO. 101012
fee \$ 5.25

85 NOV 25 A 9: 11

RECORDED AT REQUEST OF
H. Walter Schull
BOOK 140 PAGE 367

101013

STATE OF NEVADA CERTIFICATE OF MINING LOCATION LODE CLAIM ON PUBLIC DOMAIN

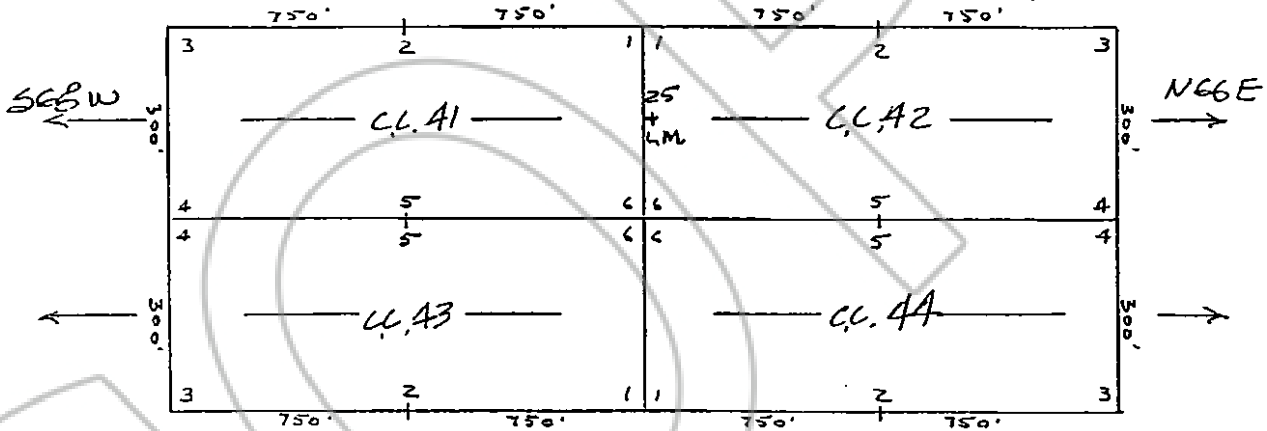
Notice is hereby given that the COAL CANYON No. 42 lode mining claim has been located by H. WALTER SCHULL, a citizen of the United States and whose address is: 901 Walker Ave. Reno, Nevada, 89509.

The general course of this claim is N66°E - S66°W. This claim is 1,500 feet in length along the course of the claim. The point of discovery is 1475 feet in a N66°E direction to the NE end line of this claim, and 25 feet in a S66°W direction to the SW end line of this claim. This claim is 600 feet in width, being 300 feet in width on each side of the center line of the claim.

This claim is located within the:
NW Quarter of Section 20 of Township 25N, Range 49E ;
SW Quarter of Section 17 of Township 25N, Range 49E ;
Quarter of Section _____ of Township 25N, Range 49E ; and
Quarter of Section _____ of Township 25N, Range 49E
Mount Diablo Base and Meridian, in the UNKNOWN Mining District
of EUREKA County, Nevada.

The location monument of this claim is situated with reference to some natural object or permanent monument @ follows: 3480 feet S24°E, and 6495 feet S66°W from the NE corner of section 17 T25N R49E

The corners of this claim are marked by 4" diameter posts of wood or PVC, or 4" diameter blazed and topped trees with metal tags inscribed with the appropriate corner number as shown on the following sketch and the accompanying claim map.



The location work consisted of making the maps as provided in NRS 517.040.

Dated and posted on the ground this - 27 day of OCTOBER, 1985.
Dated and signed this 5 day of NOVEMBER, 1985: H. W. Schull Locator.

RECORDER'S STAMP:

BOOK 140 PAGE 368

OFFICIAL RECORDS
EUREKA COUNTY, NEVADA
M. REBALENTI, RECORDER
NOV 25 1985
101013
FEE \$ 5.75

85 NOV 25 A 9: 11

RECORDED AT REQUEST OF
H. Walter Schull
BOOK 140 PAGE 368

101014

STATE OF NEVADA CERTIFICATE OF MINING LOCATION LODE CLAIM ON PUBLIC DOMAIN

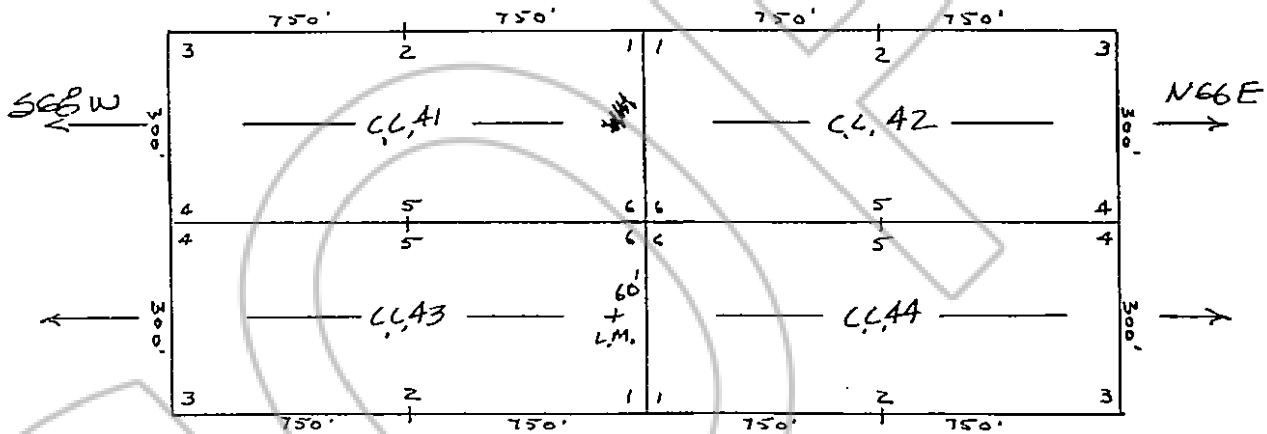
Notice is hereby given that the COAL CANYON No. 43 lode mining claim has been located by H. WALTER SCHULL, a citizen of the United States and whose address is: 901 Walker Ave. Reno, Nevada, 89509.

The general course of this claim is N66°E - S66°W. This claim is 1,500 feet in length along the course of the claim. The point of discovery is 60 feet in a N66°E direction to the NE end line of this claim, and 1440 feet in a S66°W direction to the SW end line of this claim. This claim is 600 feet in width, being 300 feet in width on each side of the center line of the claim.

This claim is located within the:
NW Quarter of Section 20 of Township 25N, Range 49E;
NE Quarter of Section 19 of Township 25N, Range 49E;
Quarter of Section _____ of Township 25N, Range 49E; and
Quarter of Section _____ of Township 25N, Range 49E
Mount Diablo Base and Meridian, in the UNKNOWN Mining District
of EUREKA County, Nevada.

The location monument of this claim is situated with reference to some natural object or permanent monument as follows: 4000 feet S24°E, and 6580 feet S66°W from the NE corner of section 17 T25N R49E

The corners of this claim is marked by 4" diameter posts of wood or PVC, or 4" diameter blazed and topped trees with metal tags inscribed with the appropriate corner number as shown on the following sketch and the accompanying claim map.



The location work consisted of making the maps as provided in NRS 517.040.

Dated and posted on the ground this 27 day of OCTOBER, 1985.
Dated and signed this 5 day of November, 1985: HWSchull Locator.

RECORDER'S STAMP:

BOOK 140 PAGE 369

OFFICIAL RECORDS
EUREKA COUNTY, NEVADA
MIN. REGISTRATION RECORDER
FILE NO. 101014
FEE \$ 5.25

85 NOV 25 A 9:12

RECORDED AT REQUEST OF
H. Walter Schull
BOOK 140 PAGE 369

101015

STATE OF NEVADA CERTIFICATE OF MINNING LOCATION LODE CLAIM ON PUBLIC DOMAIN

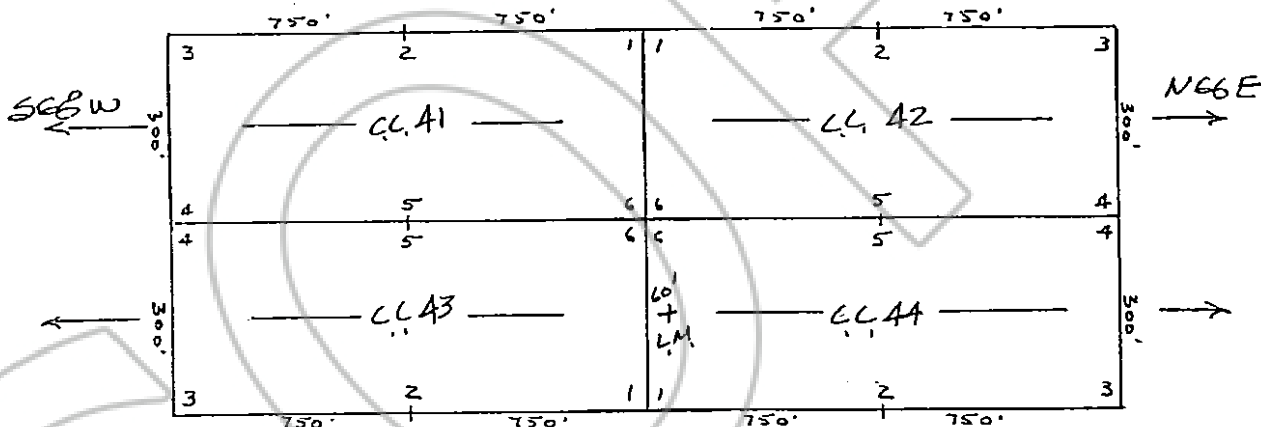
Notice is hereby given that the COAL CANYON No. 44 lode mining claim has been located by H. WALTER SCHULL, a citizen of the United States and whose address is: 901 Walker Ave. Reno, Nevada, 89509.

The general course of this claim is N66°E - S66°W. This claim is 1,500 feet in length along the course of the claim. The point of discovery is 60 feet in a N66°E direction to the NE end line of this claim, and 1440' feet in a S66°W direction to the SW end line of this claim. This claim is 600 feet in width, being 300 feet in width on each side of the center line of the claim.

This claim is located within the:
NW Quarter of Section 20 of Township 25N, Range 49E ;
Quarter of Section _____ of Township 25N, Range 49E ;
Quarter of Section _____ of Township 25N, Range 49E ; and
Quarter of Section _____ of Township 25N, Range 49E ;
Mount Diablo Base and Meridian, in the UNKNOWN Mining District
of EUREKA County, Nevada.

The location monument of this claim is situated with reference to some natural object or permanent monument as follows: 4000 feet S24°E, and 6460 feet S66°W from the NE corner of section 17 T25N R49E

The corners of this claim are marked by 4" diameter posts of wood or PVC, or 4" diameter blazed and topped trees with metal tags inscribed with the appropriate corner number as shown on the following sketch and the accompanying claim map.



The location work consisted of making the maps as provided in NRS 517.040.

Dated and posted on the ground this -27 day of OCTOBER, 1985.
Dated and signed this 5 day of NOVEMBER, 1985: HWSchull

RECORDER'S STAMP:

Locator.

OFFICIAL RECORDS
EUREKA COUNTY, NEVADA
MINERAL RIGHTS RECORDER
FILE NO. 101015
FEE \$ 5.75

85 NOV 25 A 9:12

RECORDED AT REQUEST OF
H. Walter Schull
BOOK 140 PAGE 370

BOOK 140 PAGE 370

101016

STATE OF NEVADA CERTIFICATE OF MINNING LOCATION LODE CLAIM ON PUBLIC DOMAIN

Notice is hereby given that the COAL CANYON No. 45 lode mining claim has been located by H. WALTER SCHULL, a citizen of the United States and whose address is: 901 Walker Ave. Reno, Nevada, 89509.

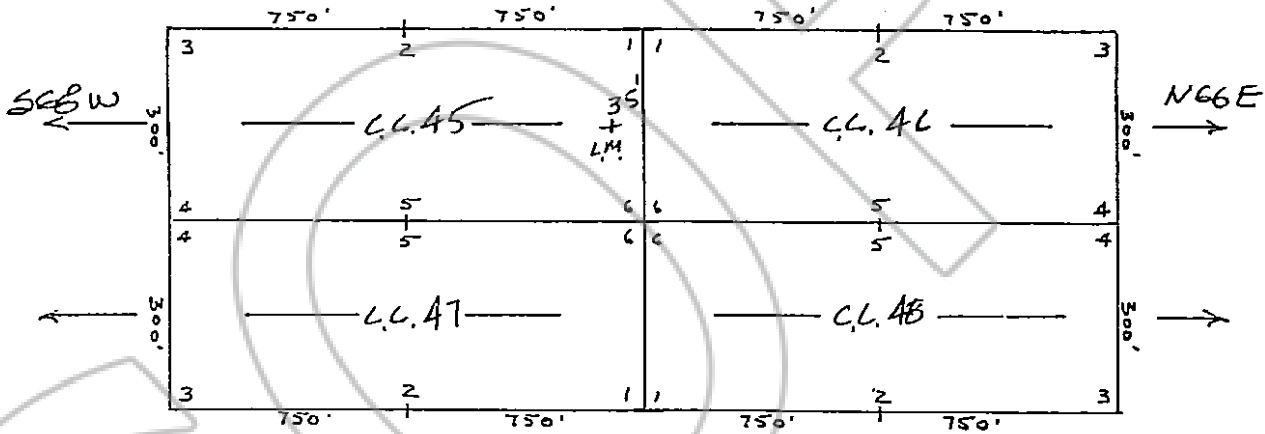
The general course of this claim is N66°E - S66°W. This claim is 1,500 feet in length along the course of the claim. The point of discovery is 35 feet in a N66E direction to the NE end line of this claim, and 1465 feet in a S66W direction to the SW end line of this claim. This claim is 600 feet in width, being 300 feet in width on each side of the center line of the claim.

This claim is located within the:

NW Quarter of Section 20 of Township 25N, Range 49E ;
NE Quarter of Section 19 of Township 25N, Range 49E ;
Quarter of Section _____ of Township 25N, Range 49E ; and
Quarter of Section _____ of Township 25N, Range 49E
Mount Diablo Base and Meridian, in the UNKNOWN Mining District
of EUREKA County, Nevada.

The location monument of this claim is situated with reference to some natural object or permanent monument as follows: 4600 feet S29E, and 6555 feet S66°W from the NE corner of section 17 T25N R49E

The corners of this claim are marked by 4" diameter posts of wood or PVC, or 4" diameter blazed and topped trees with metal tags inscribed with the appropriate corner number as shown on the following sketch and the accompanying claim map.



The location work consisted of making the maps as provided in NRS 517.040.

Dated and posted on the ground this 27 day of OCTOBER, 1985.

Dated and signed this 5 day of November, 1985: H. Walter Schull

Locator.

RECORDER'S STAMP:

OFFICIAL RECORDS
EUREKA COUNTY, NEVADA
MIN. REVENUE
101016
FEE \$ 5.75

NOV 25 9:12

RECORDED AT REQUEST OF
H. Walter Schull
BOOK 40 PAGE 371

BOOK 40 PAGE 371

101017

STATE OF NEVADA CERTIFICATE OF MINING LOCATION LODE CLAIM ON PUBLIC DOMAIN

Notice is hereby given that the COAL CANYON No. 46 lode mining claim has been located by H. WALTER SCHULL, a citizen of the United States and whose address is: 901 Walker Ave. Reno, Nevada, 89509.

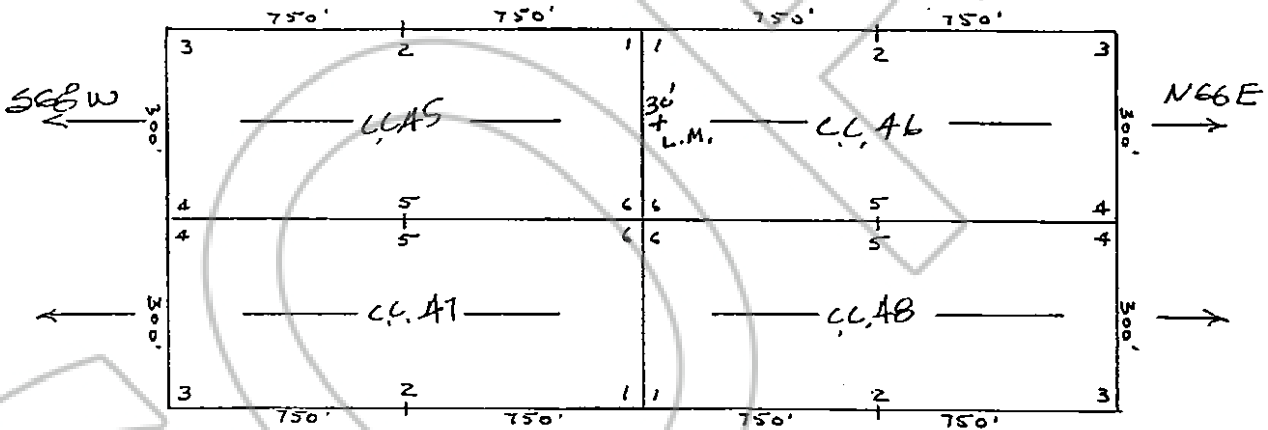
The general course of this claim is N66°E - S66°W. This claim is 1,500 feet in length along the course of the claim. The point of discovery is 1470 feet in a N66°E direction to the NE end line of this claim, and 30 feet in a S66°W direction to the SW end line of this claim. This claim is 600 feet in width, being 300 feet in width on each side of the center line of the claim.

This claim is located within the:

NW Quarter of Section 20 of Township 25N, Range 49E ;
NE Quarter of Section 20 of Township 25N, Range 49E ;
Quarter of Section _____ of Township 25N, Range 49E ; and
Quarter of Section _____ of Township 25N, Range 49E
Mount Diablo Base and Meridian, in the UNKNOWN Mining District
of EUREKA County, Nevada.

The location monument of this claim is situated with reference to some natural object or permanent monument as follows: 4,600 feet S24°E, and 6450' feet S66°W from the NE corner of section 17 T29R 49E

The corners of this claim are marked by 4" diameter posts of wood or PVC, or 4" diameter blazed and topped trees with metal tags inscribed with the appropriate corner number as shown on the following sketch and the accompanying claim map.



The location work consisted of making the maps as provided in NRS 517.040.

Dated and posted on the ground this -27 day of OCTOBER, 1985.
Dated and signed this 5 day of NOVEMBER, 1985: H. W. Schull

RECORDER'S STAMP:

BOOK 140 PAGE 372

RECORDED AT REQUEST OF
H. Walter Schull
3010 WALKER AVE. RENO, NV 89509
NOV 25 9:12
OFFICIAL RECORDER
EUREKA COUNTY, NEVADA
MIN. & GEO. DEPARTMENT
FILE NO. 101017
FEE \$ 5.25

101018

STATE OF NEVADA CERTIFICATE OF MINNING LOCATION LODE CLAIM ON PUBLIC DOMAIN

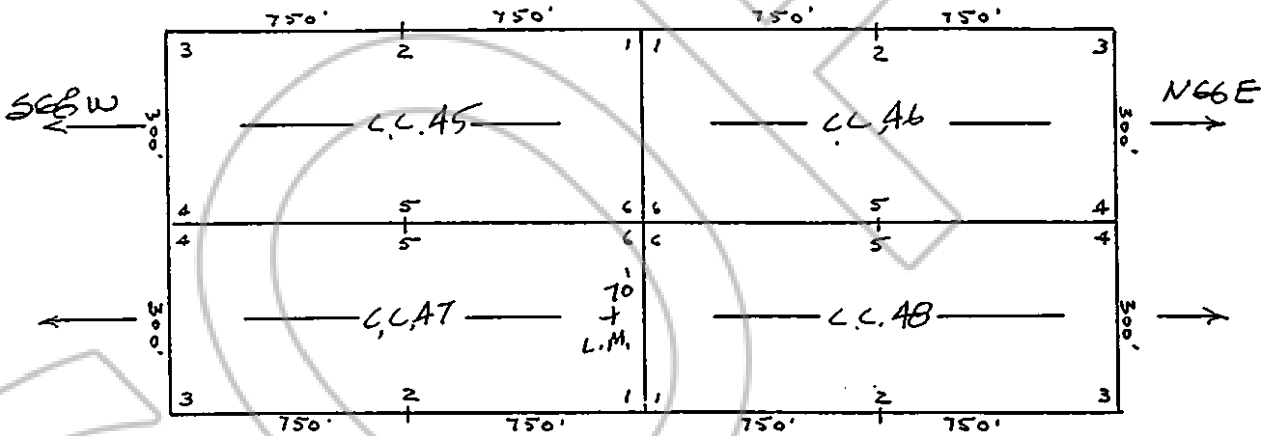
Notice is hereby given that the COAL CANYON No. 47 lode mining claim has been located by H. WALTER SCHULL, a citizen of the United States and whose address is: 901 Walker Ave. Reno, Nevada, 89509.

The general course of this claim is N66°E - S66°W. This claim is 1,500 feet in length along the course of the claim. The point of discovery is 70 feet in a N66°E direction to the NE end line of this claim, and 1430 feet in a S66°W direction to the SW end line of this claim. This claim is 600 feet in width, being 300 feet in width on each side of the center line of the claim.

This claim is located within the:
NW Quarter of Section 20 of Township 25N, Range 40E ;
SW Quarter of Section 20 of Township 25N, Range 40E ;
Quarter of Section _____ of Township 25N, Range 40E ; and
Quarter of Section _____ of Township 25N, Range 40E
Mount Diablo Base and Meridian, in the UNKNOWN Mining District
of EUREKA County, Nevada.

The location monument of this claim is situated with reference to some natural object or permanent monument as follows: 5280 feet S29E, and 6590 feet S66°W from the NE corner of section 17 T25N R 40E

The corners of this claim are marked by 4" diameter posts of wood or PVC, or 4" diameter blazed and topped trees with metal tags inscribed with the appropriate corner number as shown on the following sketch and the accompanying claim map.



The location work consisted of making the maps as provided in NRS 517.040.

Dated and posted on the ground this 27 day of OCTOBER, 1985.
Dated and signed this 5 day of November, 1985: H. Walter Schull
Locator.

RECORDER'S STAMP:

BOOK 140 PAGE 373

OFFICIAL REPORTS
SUPERIOR COUNTY, NEVADA
MINERAL RIGHTS RECORDER
FILE NO. 101018
FEE \$ 5.75

95 NOV 25 A 9:12

RECORDED AT REQUEST OF
H. Walter Schull
BOOK 140 PAGE 373

101019

STATE OF NEVADA CERTIFICATE OF MINNING LOCATION LODE CLAIM ON PUBLIC DOMAIN

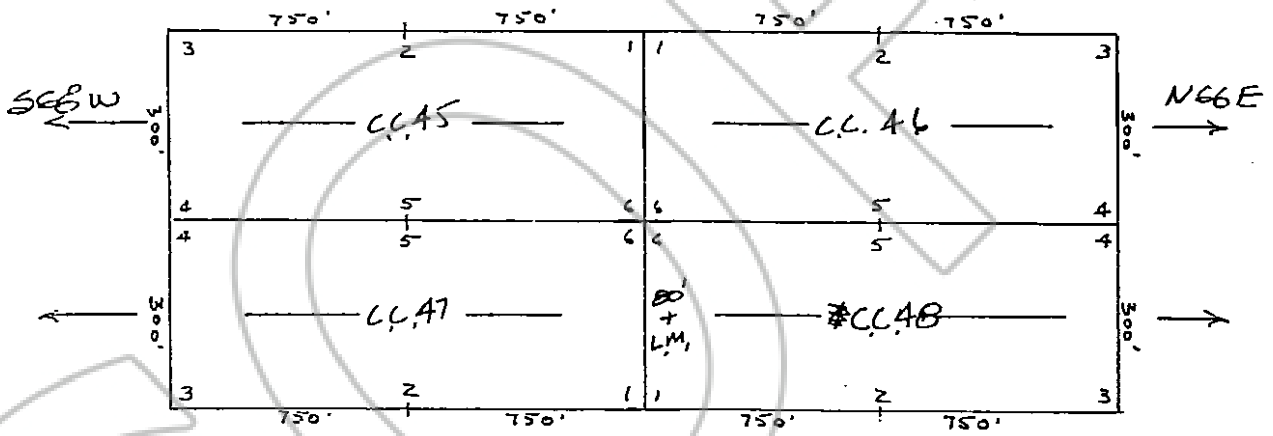
Notice is hereby given that the COAL CANYON No. 48 lode mining claim has been located by H. WALTER SCHULL, a citizen of the United States and whose address is: 901 Walker Ave. Reno, Nevada, 89509.

The general course of this claim is N66°E - S66°W. This claim is 1,500 feet in length along the course of the claim. The point of discovery is 1420 feet in a N66°E direction to the NE end line of this claim, and 80 feet in a S66°W direction to the SW end line of this claim. This claim is 600 feet in width, being 300 feet in width on each side of the center line of the claim.

This claim is located within the:
NW Quarter of Section 20 of Township 25N, Range 49E ;
NE Quarter of Section 20 of Township 25N, Range 49E ;
Quarter of Section _____ of Township 25N, Range 49E ; and
Quarter of Section _____ of Township 25N, Range 49E
Mount Diablo Base and Meridian, in the UNKNOWN Mining District
of EUREKA County, Nevada.

The location monument of this claim is situated with reference to some natural object or permanent monument @ follows: 5200 feet S24°E, and 6440 feet S66°W from the NE corner of section 17 T25N R49E

The corners of this claim are marked by 4" diameter posts of wood or PVC, or 4" diameter blazed and topped trees with metal tags inscribed with the appropriate corner number as shown on the following sketch and the accompanying claim map.



The location work consisted of making the maps as provided in NRS 517.040.

Dated and posted on the ground this 27 day of OCTOBER, 1985.
Dated and signed this 5 day of November, 1985: H. W. Schull
Locator.

RECORDER'S STAMP:

BOOK 140 PAGE 374

RECORDED AT REQUEST OF
H. Walter Schull
BOOK 140 PAGE 374
OFFICIAL RECORDS
EUREKA COUNTY, NEVADA
M.M. REBALENTI, RECORDER
FILE NO. 101019
FEE \$ 5.75
05 NOV 25 A 9:12

101020

STATE OF NEVADA CERTIFICATE OF MINNING LOCATION LODE CLAIM ON PUBLIC DOMAIN

Notice is hereby given that the COAL CANYON No. 49 lode mining claim has been located by H. WALTER SCHULL, a citizen of the United States and whose address is: 901 Walker Ave. Reno, Nevada, 89509.

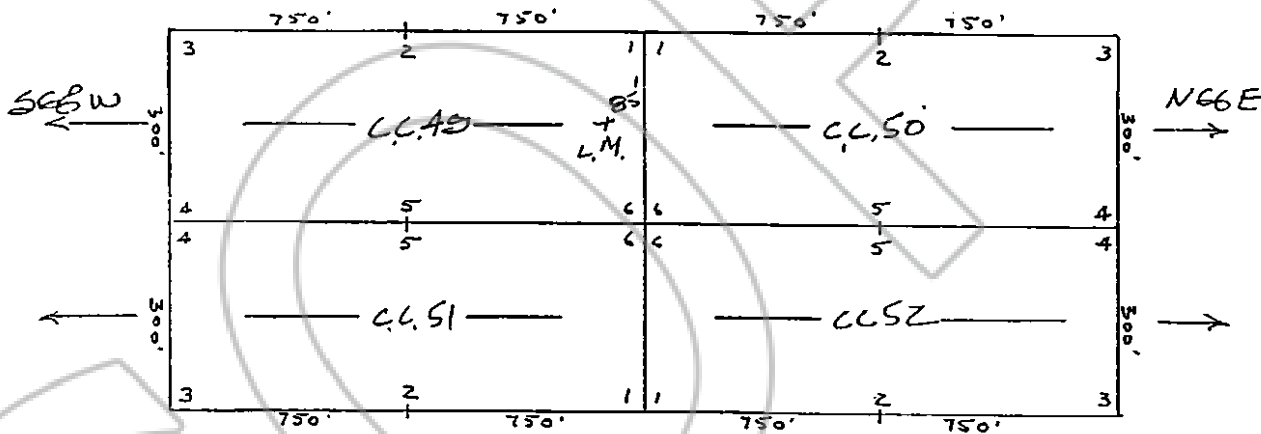
The general course of this claim is N66°E - S66°W. This claim is 1,500 feet in length along the course of the claim. The point of discovery is 85 feet in a N66°E direction to the NE end line of this claim, and 1,415 feet in a S66°W direction to the SW end line of this claim. This claim is 600 feet in width, being 300 feet in width on each side of the center line of the claim.

This claim is located within the:

SW Quarter of Section 20 of Township 25N, Range 49E ;
Quarter of Section _____ of Township 25N, Range 49E ;
Quarter of Section _____ of Township 25N, Range 49E ; and
Quarter of Section _____ of Township 25N, Range 49E
Mount Diablo Base and Meridian, in the UNKNOWN Mining District
of EUREKA County, Nevada.

The location monument of this claim is situated with reference to some natural object or permanent monument sa follows: 5880 feet S24°E, and 6605 feet S66°W from the NE corner of section 17 T25N R 49E

The corners of this claim are marked by 4" diameter posts of wood or PVC, or 4" diameter blazed and topped trees with metal tags inscribed with the appropriate corner number as shown on the following sketch and the accompanying claim map.



The location work consisted of making the maps as provided in NRS 517.040.

Dated and posted on the ground this 28 day of OCTOBER, 1985.

Dated and signed this 2 day of November, 1985: H. Walter Schull
Locator.

RECORDER'S STAMP:

BOOK 140 PAGE 375

OFFICIAL RECORDS
EUREKA COUNTY, NEVADA
MIN. RECL. FILE NO. 101020
FEES: 5.25
RECORDED AT REQUEST OF
H. Walter Schull
3004 140 PAGE 375
95 NOV 25 9:12

101021

STATE OF NEVADA CERTIFICATE OF MINING LOCATION LODE CLAIM ON PUBLIC DOMAIN

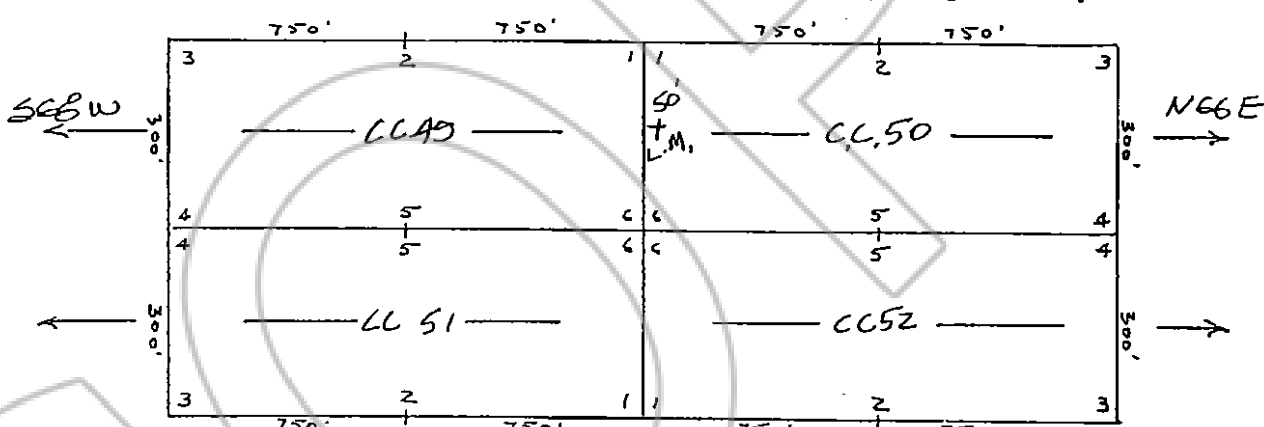
Notice is hereby given that the COAL CANYON No. 50 lode mining claim has been located by H. WALTER SCHULL, a citizen of the United States and whose address is: 901 Walker Ave. Reno, Nevada, 89509.

The general course of this claim is N66°E - S66°W. This claim is 1,500 feet in length along the course of the claim. The point of discovery is 1450 feet in a N66°E direction to the NE end line of this claim, and 50 feet in a S66°W direction to the SW end line of this claim. This claim is 600 feet in width, being 300 feet in width on each side of the center line of the claim.

This claim is located within the:
NW Quarter of Section 20 of Township 25N, Range 49E;
SW Quarter of Section 20 of Township 25N, Range 49E;
SE Quarter of Section 20 of Township 25N, Range 49E; and
ENE Quarter of Section 20 of Township 25N, Range 49E
Mount Diablo Base and Meridian, in the UNKNOWN Mining District
of EUREKA County, Nevada.

The location monument of this claim is situated with reference to some natural object or permanent monument as follows: 5000' feet S70°E, and 6470' feet S66°W from the NE corner of section 17 T25N R 49E

The corners of this claim are marked by 4" diameter posts of wood or PVC, or 4" diameter blazed and topped trees with metal tags inscribed with the appropriate corner number as shown on the following sketch and the accompanying claim map.



The location work consisted of making the maps as provided in NRS 517.040.

Dated and posted on the ground this 28 day of OCTOBER, 1985.

Dated and signed this 5 day of November, 1985: H. W. Schull

Locator.

RECORDER'S STAMP:

OFFICIAL RECORDS
EUREKA COUNTY, NEVADA
FILE NO. 101021
FEE \$ 5.75

55 NOV 25 A 9:12

RECORDED AT REQUEST OF
H. Walter Schull
BOOK 140 PAGE 376

BOOK 140 PAGE 376

101022

STATE OF NEVADA CERTIFICATE OF MINING LOCATION LODE CLAIM ON PUBLIC DOMAIN

Notice is hereby given that the COAL CANYON No. 51 lode mining claim has been located by H. WALTER SCHULL, a citizen of the United States and whose address is: 901 Walker Ave. Reno, Nevada, 89509.

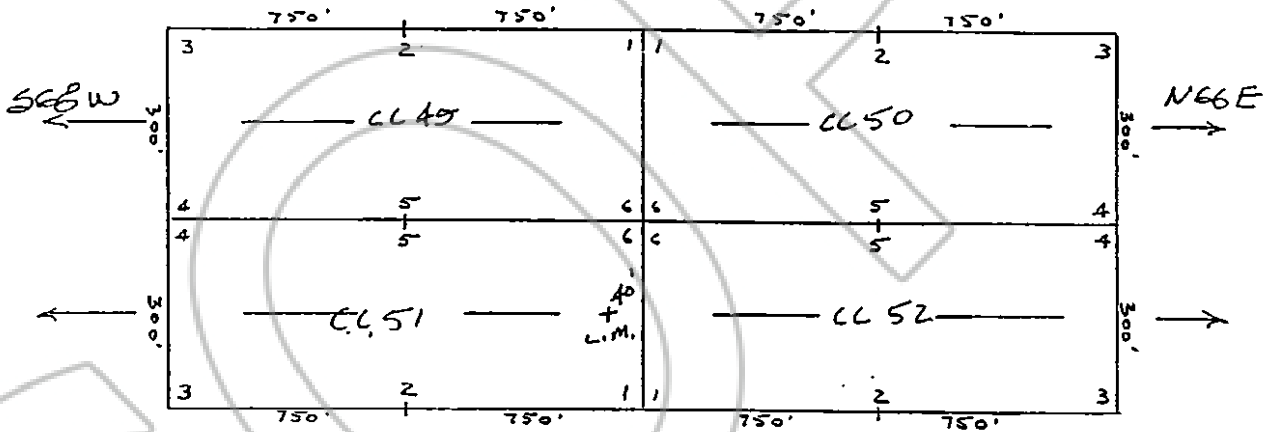
The general course of this claim is N66°E - S66°W. This claim is 1,500 feet in length along the course of the claim. The point of discovery is 40 feet in a N66°E direction to the NE end line of this claim, and 1460 feet in a S66°W direction to the NW end line of this claim. This claim is 600 feet in width, being 300 feet in width on each side of the center line of the claim.

This claim is located within the:

SW Quarter of Section 20 of Township 25N, Range 49E ;
Quarter of Section _____ of Township 25N, Range 49E ;
Quarter of Section _____ of Township 25N, Range 49E ; and
Quarter of Section _____ of Township 25N, Range 49E ;
Mount Diablo Base and Meridian, in the UNKNOWN Mining District
of EUREKA County, Nevada.

The location monument of this claim is situated with reference to some natural object or permanent monument as follows: 6400 feet S24°E, and 6560 feet S66°W from the NE corner of section 17 T25N R 49E

The corners of this claim are marked by 4" diameter posts of wood or PVC, or 4" diameter blazed and topped trees with metal tags inscribed with the appropriate corner number as shown on the following sketch and the accompanying claim map.



The location work consisted of making the maps as provided in NRS 517.040.

Dated and posted on the ground this 20 day of OCTOBER, 1985.
Dated and signed this 5 day of NOVEMBER, 1985: H. Walter Schull
Locator.

RECORDER'S STAMP:

BOOK | 40 PAGE 377

RECORDED AT REQUEST OF
H. Walter Schull
BOOK 40 PAGE 377
85 NOV 25 9 9: 12
OFFICIAL RECORDS
EUREKA COUNTY, NEVADA
H.L. REGALEANT, RECORDER
FILE NO. 101022
FEE \$ 5.25

101023

STATE OF NEVADA CERTIFICATE OF MINNING LOCATION LODE CLAIM ON PUBLIC DOMAIN

Notice is hereby given that the COAL CANYON No. 52 lode mining claim has been located by H. WALTER SCHULL, a citizen of the United States and whose address is: 901 Walker Ave. Reno, Nevada, 89509.

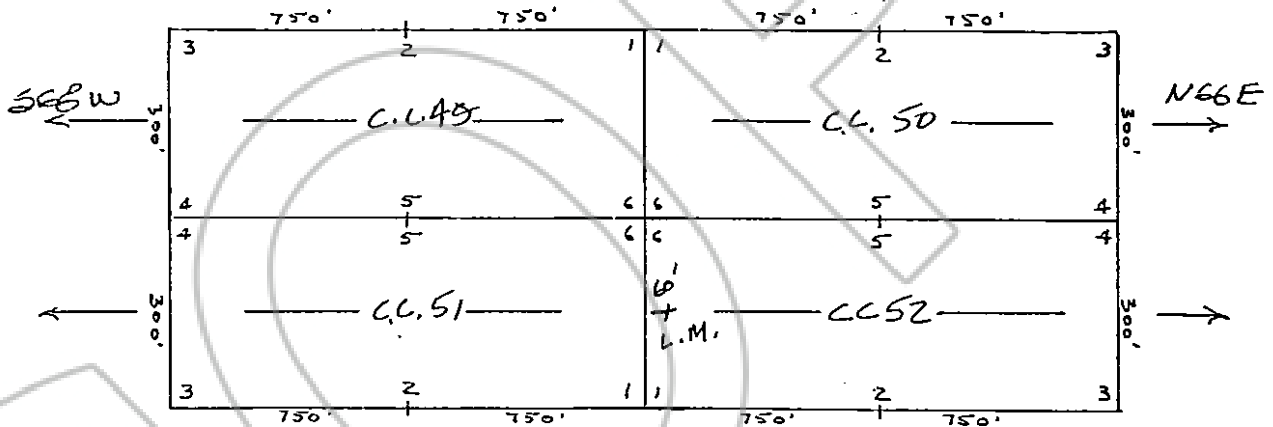
The general course of this claim is N66°E - S66°W. This claim is 1,500 feet in length along the course of the claim. The point of discovery is 1440 feet in a N66°E direction to the NE end line of this claim, and 60 feet in a S66°W direction to the SW end line of this claim. This claim is 600 feet in width, being 300 feet in width on each side of the center line of the claim.

This claim is located within the:

SW Quarter of Section 20 of Township 25N, Range 40E;
SE Quarter of Section 20 of Township 25N, Range 40E;
NE Quarter of Section 20 of Township 25N, Range 40E; and
Quarter of Section _____ of Township 25N, Range 40E
Mount Diablo Base and Meridian, in the UNKNOWN Mining District
of EUREKA County, Nevada.

The location monument of this claim is situated with reference to some natural object or permanent monument as follows: 6480 feet ~~5246~~ and 6460 feet S66°W from the NE corner of section 17 T25N R 40E

The corners of this claim are marked by 4" diameter posts of wood or PVC, or 4" diameter blazed and topped trees with metal tags inscribed with the appropriate corner number as shown on the following sketch and the accompanying claim map.



The location work consisted of making the maps as provided in NRS 517.040.

Dated and posted on the ground this 28 day of OCTOBER, 1985.
Dated and signed this 5 day of November, 1985: H. Walter Schull

Locator
NOV 25 9:12
RECORDERS
EUREKA COUNTY, NEVADA
RESALEN, RECORDER
FILE NO. 101023
575

RECORDED AT REQUEST OF
H. Walter Schull
140 PAGE 378

RECORDER'S STAMP:

BOOK 40 PAGE 378
BOOK 40 PAGE 378

101024

STATE OF NEVADA CERTIFICATE OF MINNING LOCATION LODE CLAIM ON PUBLIC DOMAIN

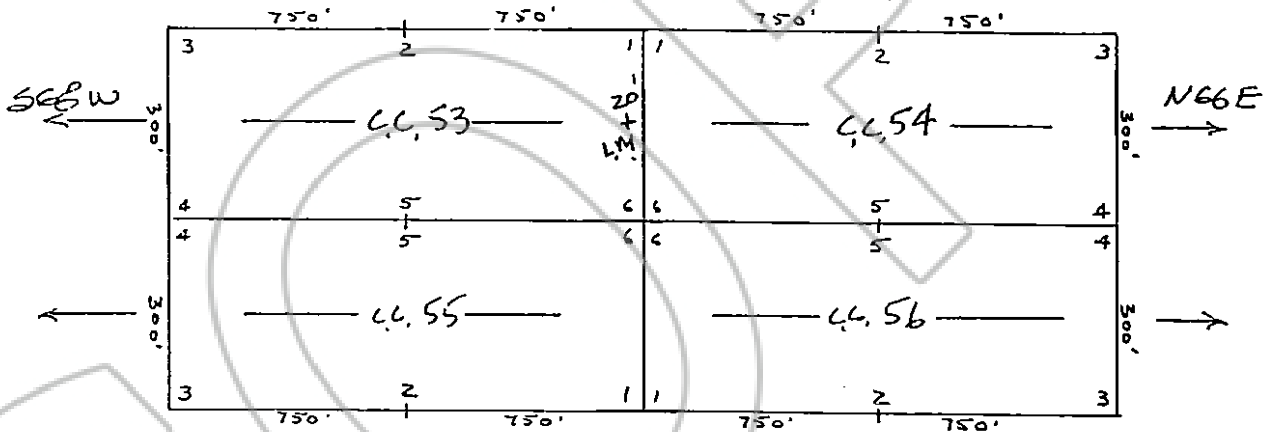
Notice is hereby given that the COAL CANYON No. 53 lode mining claim has been located by H. WALTER SCHULL, a citizen of the United States and whose address is: 901 Walker Ave. Reno, Nevada, 89509.

The general course of this claim is N66°E - S66°W. This claim is 1,500 feet in length along the course of the claim. The point of discovery is 20 feet in a N66°E direction to the NE end line of this claim, and 1400 feet in a S66°W direction to the SW end line of this claim. This claim is 600 feet in width, being 300 feet in width on each side of the center line of the claim.

This claim is located within the:
SW Quarter of Section 20 of Township 25N, Range 49E ;
Quarter of Section _____ of Township 25N, Range 49E ;
Quarter of Section _____ of Township 25N, Range 49E ; and
Quarter of Section _____ of Township 25N, Range 49E
Mount Diablo Base and Meridian, in the UNKNOWN Mining District
of EUREKA County, Nevada.

The location monument of this claim is situated with reference to some natural object or permanent monument sa follows: 7080 feet S24°E, and 6540 feet S66°W from the NE corner of section 17 T25N R 49E

The corners of this claim are marked by 4" diameter posts of wood or PVC, or 4" diameter blazed and topped trees with metal tags inscribed with the appropriate corner number as shown on the following sketch and the accompanying claim map.



The location work consisted of making the maps as provided in NRS 517.040.

Dated and posted on the ground this - 28 day of OCTOBER, 1985.
Dated and signed this 5 day of November, 1985: H. W. Schull
Locator.

RECORDER'S STAMP:

BOOK 140 PAGE 379

OFFICIAL RECORDS
EUREKA COUNTY, NEVADA
MIN. REDEVELOPMENT RECORDER
FILE NO. 101024
FEE \$ 5.25

65 NOV 25 A 9:12

RECORDED AT REQUEST OF
H. Walter Schull
BOOK 140 PAGE 379

101025

STATE OF NEVADA CERTIFICATE OF MINING LOCATION LODE CLAIM ON PUBLIC DOMAIN

Notice is hereby given that the COAL CANYON No. 54 lode mining claim has been located by H. WALTER SCHULL, a citizen of the United States and whose address is: 901 Walker Ave. Reno, Nevada, 89509.

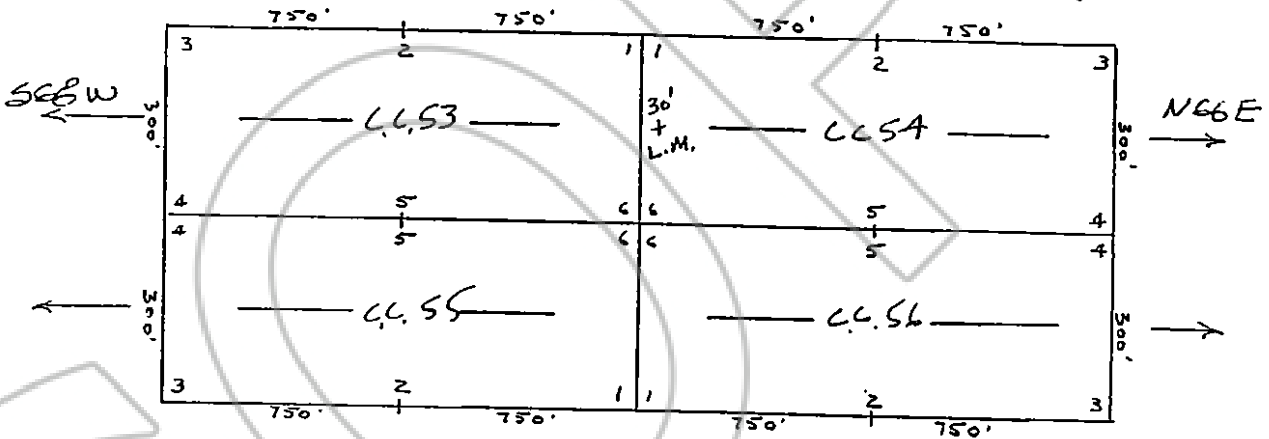
The general course of this claim is N66°E - S66°W. This claim is 1,500 feet in length along the course of the claim. The point of discovery is 1470 feet in a N66°E direction to the NE end line of this claim, and 30 feet in a S44°W direction to the SW end line of this claim. This claim is 600 feet in width, being 300 feet in width on each side of the center line of the claim.

This claim is located within the:

SW Quarter of Section 20 of Township 25N, Range 40E;
SE Quarter of Section 20 of Township 25N, Range 40E;
Quarter of Section _____ of Township 25N, Range 40E; and
Quarter of Section _____ of Township 25N, Range 40E;
Mount Diablo Base and Meridian, in the UNKNOWN Mining District
of EUREKA County, Nevada.

The location monument of this claim is situated with reference to some natural object or permanent monument as follows: 7000 feet S24°E, and 6420 feet S66°W from the NE corner of section 17 T25N R40E

The corners of this claim are marked by 4" diameter posts of wood or PVC, or 4" diameter blazed and topped trees with metal tags inscribed with the appropriate corner number as shown on the following sketch and the accompanying claim map.



The location work consisted of making the maps as provided in NRS 517.040.

Dated and posted on the ground this -28 day of OCTOBER, 1985.
Dated and signed this 5 day of November, 1985: H. W. Schull
Locator.

RECORDER'S STAMP:

BOOK 140 PAGE 380

OFFICIAL RECORDS
EUREKA COUNTY, NEVADA
MIN. REALESTATE RECORDER
FILE NO. 101025
FEE \$ 5.75

05 NOV 25 A 9:12

RECORDED AT REQUEST OF
H. Walter Schull
BOOK 140 PAGE 380

101026

STATE OF NEVADA CERTIFICATE OF MINNING LOCATION LODE CLAIM ON PUBLIC DOMAIN

Notice is hereby given that the COAL CANYON No. 55 lode mining claim has been located by H. WALTER SCHULL, a citizen of the United States and whose address is: 901 Walker Ave. Reno, Nevada, 89509.

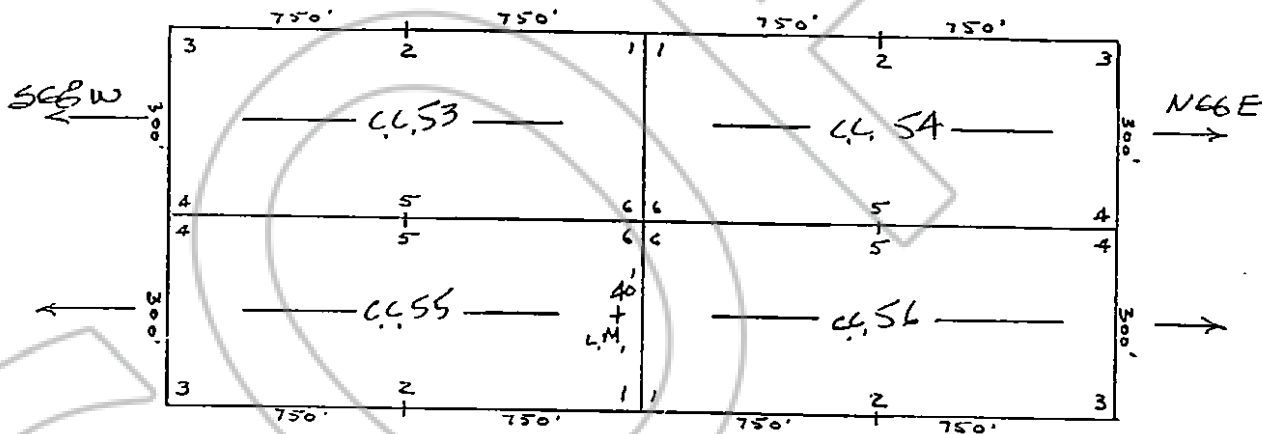
The general course of this claim is N66°E - S66°W. This claim is 1,500 feet in length along the course of the claim. The point of discovery is 40 feet in a N66°E direction to the NE end line of this claim, and 1460 feet in a S66°W direction to the NW end line of this claim. This claim is 600 feet in width, being 300 feet in width on each side of the center line of the claim.

This claim is located within the:

SW Quarter of Section 20 of Township 25N, Range 49E ;
Quarter of Section _____ of Township 25N, Range 49E ;
Quarter of Section _____ of Township 25N, Range 49E ; and
Quarter of Section _____ of Township 25N, Range 49E ;
Mount Diablo Base and Meridian, in the UNKNOWN Mining District
of EUREKA County, Nevada.

The location monument of this claim is situated with reference to some natural object or permanent monument as follows: 7680 feet S24°E, and 6560 feet S66°W from the NE corner of section 17 T25N R 49E

The corners of this claim are marked by 4" diameter posts of wood or PVC, or 4" diameter blazed and topped trees with metal tags inscribed with the appropriate corner number as shown on the following sketch and the accompanying claim map.



The location work consisted of making the maps as provided in NRS 517.040.

Dated and posted on the ground this 28 day of OCTOBER, 1985.
Dated and signed this 5 day of November, 1985: HWSchull

Locator.

RECORDER'S STAMP:

BOOK 140 PAGE 381

RECORDS
EUREKA COUNTY, NEVADA
M. H. REBALEATI, RECORDER
FILE NO. 101026
FEE \$ 5.25

85 NOV 25 - 9 9 : 12

RECORDED AT REQUEST OF
H. Walter Schull
BOOK 140 PAGE 381

101027

STATE OF NEVADA CERTIFICATE OF MINING LOCATION LODE CLAIM ON PUBLIC DOMAIN

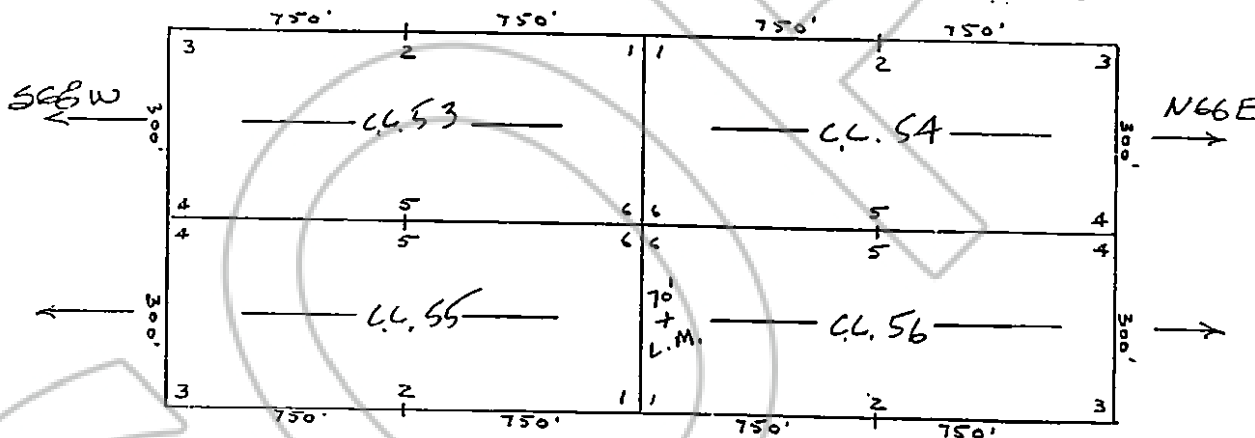
Notice is hereby given that the COAL CANYON No. 56 lode mining claim has been located by H. WALTER SCHULL, a citizen of the United States and whose address is: 901 Walker Ave. Reno, Nevada, 89509.

The general course of this claim is N66°E - S66°W. This claim is 1,500 feet in length along the course of the claim. The point of discovery is 1430 feet in a N66°E direction to the NE end line of this claim, and 70 feet in a S66°W direction to the SW end line of this claim. This claim is 600 feet in width, being 300 feet in width on each side of the center line of the claim.

This claim is located within the:
SE Quarter of Section 20 of Township 25N, Range 49E ;
SW Quarter of Section 20 of Township 25N, Range 49E ;
Quarter of Section _____ of Township 25N, Range 49E ; and
Quarter of Section _____ of Township 25N, Range 49E ;
Mount Diablo Base and Meridian, in the UNKNOWN Mining District
of EUREKA County, Nevada.

The location monument of this claim is situated with reference to some natural object or permanent monument as follows: 7,480' feet S24°E, and 6450 feet S66°W from the NE corner of section 17 T25N R 49E

The corners of this claim are marked by 4" diameter posts of wood or PVC, or 4" diameter blazed and topped trees with metal tags inscribed with the appropriate corner number as shown on the following sketch and the accompanying claim map.



The location work consisted of making the maps as provided in NRS 517.040.

Dated and posted on the ground this 28 day of OCTOBER, 1985.

Dated and signed this 5 day of November, 1985: H. Walter Schull

Locator.

RECORDER'S STAMP:

BOOK 140 PAGE 382

OFFICIAL RECORDS
EUREKA COUNTY, NEVADA
M.H. REDBURN, RECORDER
S.I.E. NO. 101027
FEE \$ 5.25

85 NOV 25 9:12

RECORDED AT REQUEST OF
H. Walter Schull
BOOK 140 PAGE 382

101028

STATE OF NEVADA CERTIFICATE OF MINNING LOCATION LODE CLAIM ON PUBLIC DOMAIN

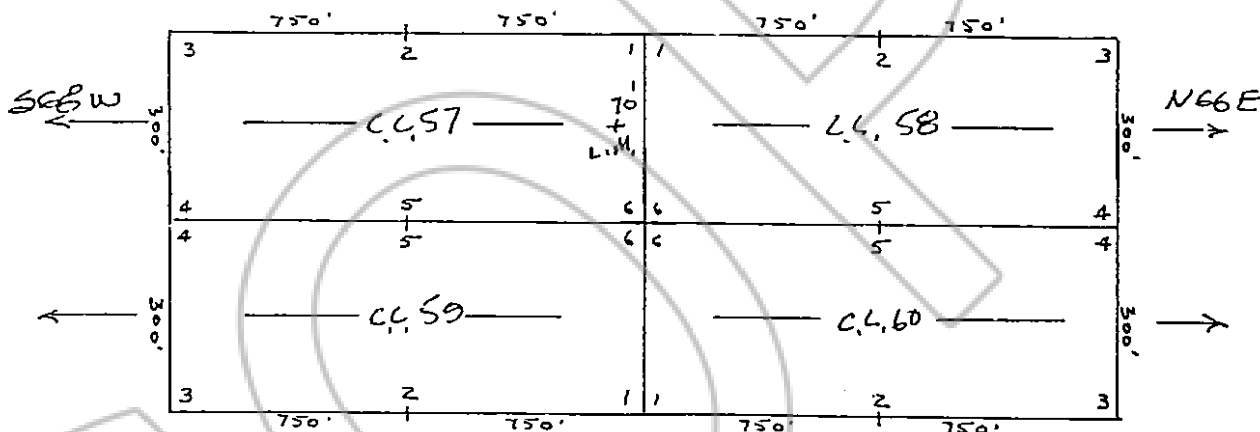
Notice is hereby given that the COAL CANYON No. 57 lode mining claim has been located by H. WALTER SCHULL, a citizen of the United States and whose address is: 901 Walker Ave. Reno, Nevada, 89509.

The general course of this claim is N66°E - S66°W. This claim is 1,500 feet in length along the course of the claim. The point of discovery is 70 feet in a N66°E direction to the NE end line of this claim, and 1430 feet in a S66°W direction to the SW end line of this claim. This claim is 600 feet in width, being 300 feet in width on each side of the center line of the claim.

This claim is located within the:
SW Quarter of Section 20 of Township 25N, Range 49E;
NW Quarter of Section 29 of Township 25N, Range 49E;
SE Quarter of Section 20 of Township 25N, Range 49E; and
NE Quarter of Section 29 of Township 25N, Range 49E
Mount Diablo Base and Meridian, in the UNKNOWN Mining District
of EUREKA County, Nevada.

The location monument of this claim is situated with reference to some natural object or permanent monument as follows: 8280 feet S21°E, and 6,590 feet S66°W from the NE corner of section 17 T25R 49E

The corners of this claim are marked by 4" diameter posts of wood or PVC, or 4" diameter blazed and topped trees with metal tags inscribed with the appropriate corner number as shown on the following sketch and the accompanying claim map.



The location work consisted of making the maps as provided in NRS 517.040.

Dated and posted on the ground this - 28 day of OCTOBER, 1985.
Dated and signed this 5 day of November, 1985: H. W. Schull
Locator.

RECORDER'S STAMP:

BOOK 140 PAGE 383

OFFICIAL RECORDS
SUSAN A. COOK, CLERK
FILE NO. 101028
FEE \$ 5.25

95 NOV 25 A 9:13

RECORDED AT REQUEST OF
H. Walter Schull
BOOK 140 PAGE 383

101029

STATE OF NEVADA CERTIFICATE OF MINING LOCATION LODE CLAIM ON PUBLIC DOMAIN

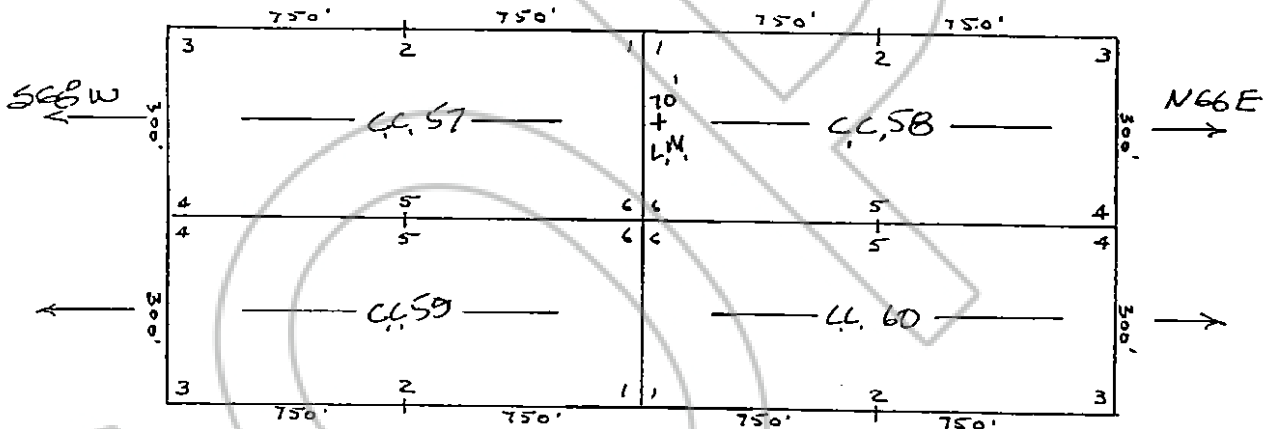
Notice is hereby given that the COAL CANYON No. 58 lode mining claim has been located by H. WALTER SCHULL, a citizen of the United States and whose address is: 901 Walker Ave. Reno, Nevada, 89509.

The general course of this claim is N66°E - S66°W. This claim is 1,500 feet in length along the course of the claim. The point of discovery is 1430 feet in a N66°E direction to the NE end line of this claim, and 70 feet in a S66°W direction to the SW end line of this claim. This claim is 600 feet in width, being 300 feet in width on each side of the center line of the claim.

This claim is located within the:
SE Quarter of Section 20 of Township 25N, Range 40E;
Quarter of Section _____ of Township 25N, Range 40E;
Quarter of Section _____ of Township 25N, Range 40E; and
Quarter of Section _____ of Township 25N, Range 40E
Mount Diablo Base and Meridian, in the UNKNOWN Mining District
of EUREKA County, Nevada.

The location monument of this claim is situated with reference to some natural object or permanent monument as follows: 8280 feet S24°E, and 6450 feet S56°W from the NE corner of section 17 T25N R 40E

The corners of this claim are marked by 4" diameter posts of wood or PVC, or 4" diameter blazed and topped trees with metal tags inscribed with the appropriate corner number as shown on the following sketch and the accompanying claim map.



The location work consisted of making the maps as provided in NRS 517.040.

Dated and posted on the ground this 28 day of OCTOBER, 1985.
Dated and signed this 5 day of November, 1985: HWSchull
Locator.

RECORDER'S STAMP:

BOOK 140 PAGE 384

RECORDED AT REQUEST OF
H. Walter Schull
BOOK 140 PAGE 384
25 NOV 25 A 9:13
OFFICIAL RECORDS
EUREKA COUNTY, NEVADA
FEE REBATE ALL RECORDS
FILE NO. 101029
FEE \$ 5.25

101030

STATE OF NEVADA CERTIFICATE OF MINING LOCATION LODE CLAIM ON PUBLIC DOMAIN

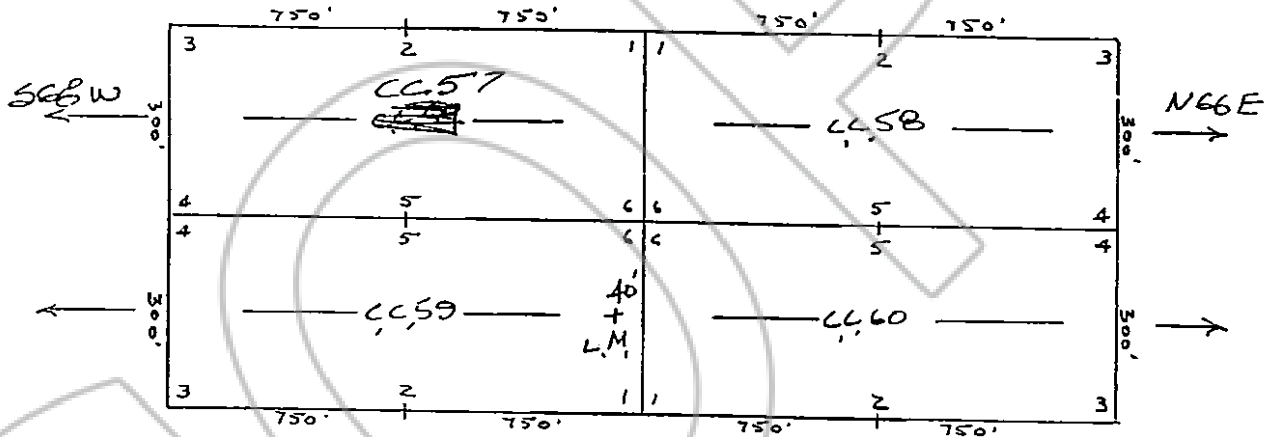
Notice is hereby given that the COAL CANYON No. 59 lode mining claim has been located by H. WALTER SCHULL, a citizen of the United States and whose address is: 901 Walker Ave. Reno, Nevada, 89509.

The general course of this claim is N66°E - S66°W. This claim is 1,500 feet in length along the course of the claim. The point of discovery is 40 feet in a N66°E direction to the NE end line of this claim, and 1460 feet in a S66°W direction to the SW end line of this claim. This claim is 600 feet in width, being 300 feet in width on each side of the center line of the claim.

This claim is located within the:
NW Quarter of Section 29 of Township 25N, Range 49E;
NE Quarter of Section 29 of Township 25N, Range 49E;
Quarter of Section _____ of Township 25N, Range 49E; and
Quarter of Section _____ of Township 25N, Range 49E
Mount Diablo Base and Meridian, in the UNKNOWN Mining District
of EUREKA County, Nevada.

The location monument of this claim is situated with reference to some natural object or permanent monument as follows: 9080 feet S24°E, and 6560 feet S66°W from the NE corner of section 17 T25N R 49E

The corners of this claim are marked by 4" diameter posts of wood or PVC, or 4" diameter blazed and topped trees with metal tags inscribed with the appropriate corner number as shown on the following sketch and the accompanying claim map.



The location work consisted of making the maps as provided in NRS 517.040.

Dated and posted on the ground this 28 day of OCTOBER, 1985.

Dated and signed this 5 day of November, 1985: H. Walter Schull
Locator.

RECORDER'S STAMP:

BOOK 140 PAGE 385

OFFICIAL RECORDS
EUREKA COUNTY, NEVADA
FILE NO. 101030
FEE \$ 5.75

95 NOV 25 9:13

RECORDED AT REQUEST OF
H. Walter Schull
BOOK 140 PAGE 385

101031

STATE OF NEVADA CERTIFICATE OF MINNING LOCATION LODE CLAIM ON PUBLIC DOMAIN

Notice is hereby given that the COAL CANYON No. 60 lode mining claim has been located by H. WALTER SCHULL, a citizen of the United States and whose address is: 901 Walker Ave. Reno, Nevada, 89509.

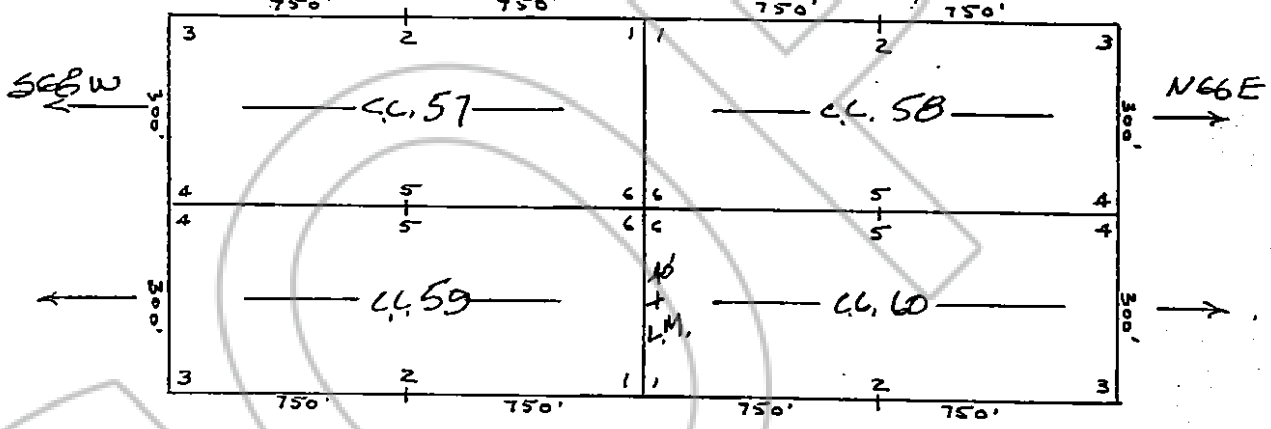
The general course of this claim is N66°E - S66°W. This claim is 1,500 feet in length along the course of the claim. The point of discovery is 1460 feet in a N66°E direction to the NE end line of this claim, and 40 feet in a S66°W direction to the NW end line of this claim. This claim is 600 feet in width, being 300 feet in width on each side of the center line of the claim.

This claim is located within the:

NE Quarter of Section 29 of Township 25N, Range 49E ;
SE Quarter of Section 20 of Township 25N, Range 49E ;
Quarter of Section _____ of Township 25N, Range 49E ; and
Quarter of Section _____ of Township 25N, Range 49E ;
Mount Diablo Base and Meridian, in the UNKNOWN Mining District
of EUREKA County, Nevada.

The location monument of this claim is situated with reference to some natural object or permanent monument as follows: 3080 feet S24°E, and 6400 feet S66°W from the NE corner of section 17 T25N R 49E

The corners of this claim are marked by 4" diameter posts of wood or PVC, or 4" diameter blazed and topped trees with metal tags inscribed with the appropriate corner number as shown on the following sketch and the accompanying claim map.



The location work consisted of making the maps as provided in NRS 517.040.

Dated and posted on the ground this 20 day of OCTOBER, 1985.

Dated and signed this 5 day of November, 1985: HWSchull
Locator.

RECORDER'S STAMP:

BOOK 140 PAGE 386

OFFICIAL RECORDS
EUREKA COUNTY, NEVADA
MIN. REBALANCE RECORDER
FILE # 101031
PAGE 5.25

05 NOV 25 A 9:13

RECORDED AT REQUEST OF
H. Walter Schull
BOOK 140 PAGE 386