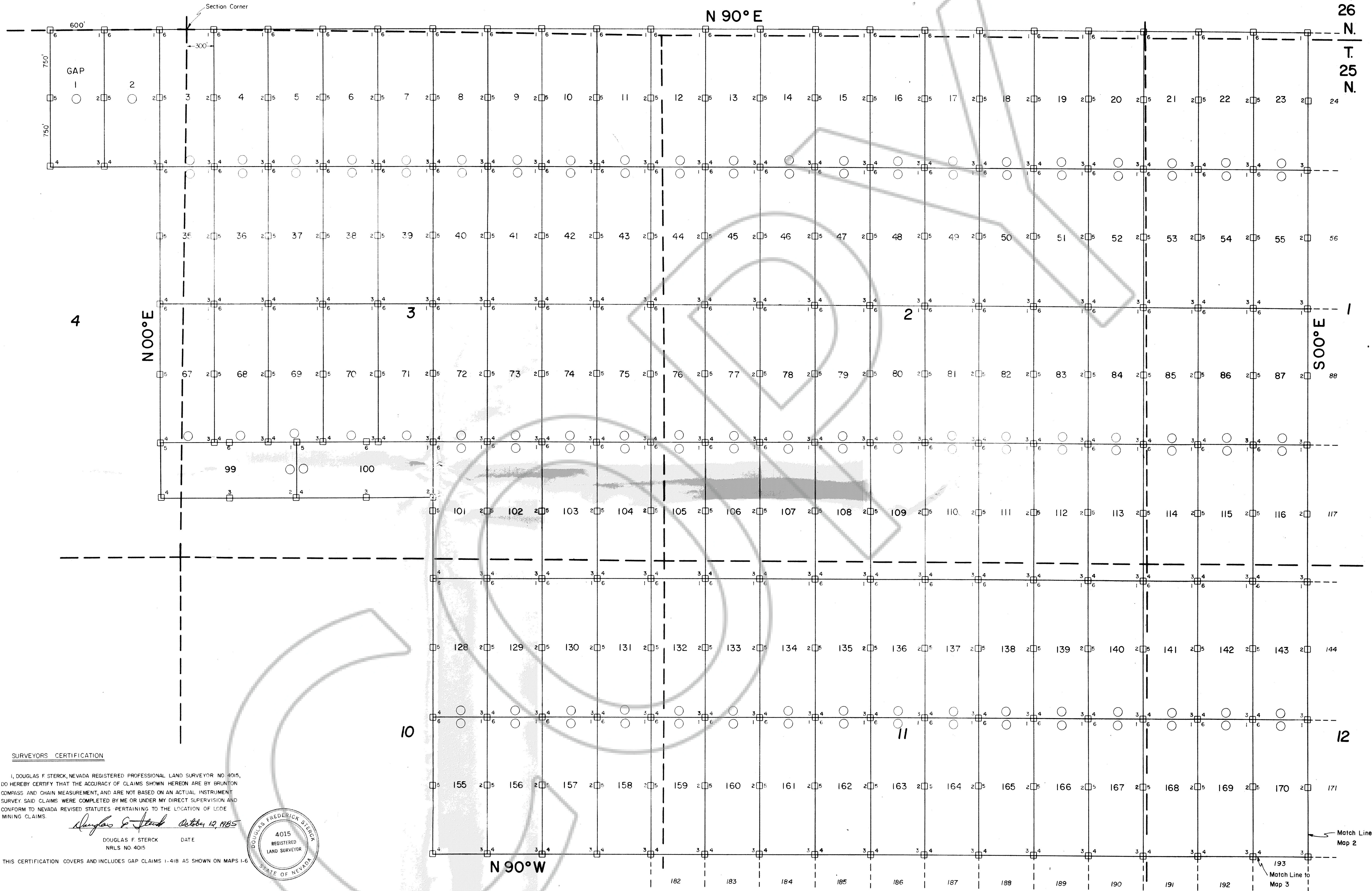


R. 48 E.

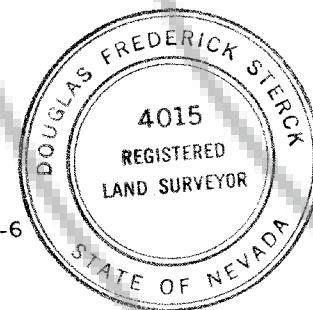
T. 26 N.
T. 25 N.



SURVEYORS CERTIFICATION

I, DOUGLAS F. STERCK, NEVADA REGISTERED PROFESSIONAL LAND SURVEYOR NO. 4015, DO HEREBY CERTIFY THAT THE ACCURACY OF CLAIMS SHOWN HEREON ARE BY BRUNTON COMPASS AND CHAIN MEASUREMENT, AND ARE NOT BASED ON AN ACTUAL INSTRUMENT SURVEY. SAID CLAIMS WERE COMPLETED BY ME OR UNDER MY DIRECT SUPERVISION AND CONFORM TO NEVADA REVISED STATUTES PERTAINING TO THE LOCATION OF LOSE MINING CLAIMS.

Douglas F. Sterck October 12, 1985
 DOUGLAS F. STERCK DATE
 NRLS NO. 4015



THIS CERTIFICATION COVERS AND INCLUDES GAP CLAIMS 1-418 AS SHOWN ON MAPS 1-6

- = LOCATION MONUMENT
- ALL CLAIMS ARE 600'x1500' UNLESS OTHERWISE NOTED.
- ALL LOCATION MONUMENTS ARE OFFSET 10' FROM END CENTERS UNLESS OTHERWISE NOTED.
- ALL LOCATION MONUMENTS, SIDE CENTERS AND CORNERS ARE MONUMENTED WITH 4"x4"x1/2" WOODEN POSTS.

Map 1 of 6

MAP

OF
 LOSE MINING CLAIMS
 WITHIN
 TOWNSHIPS 25 & 26 NORTH, RANGE 48 EAST
 MOUNT DIABLO MERIDIAN
 EUREKA COUNTY, NEVADA
 FOR
 NORANDA EXPLORATION, INC.
 65 NORTH EDISON WAY, SUITE 4
 P.O. BOX 7176
 RENO, NEVADA 89510

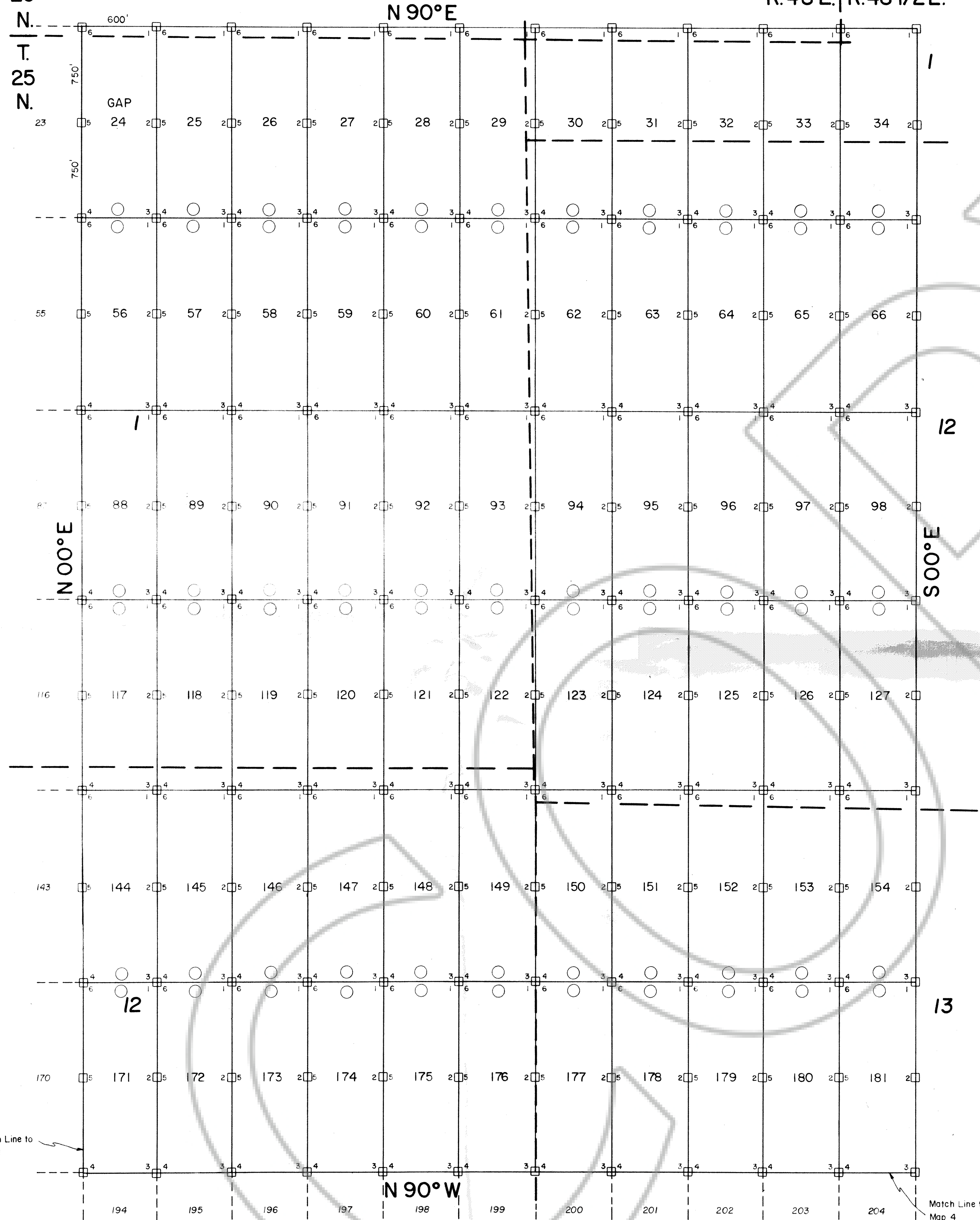
GAP CLAIMS 1-418
 LOCATED - SEPTEMBER 17-23, 1985

FILED AT THE REQUEST OF **NORANDA EXPLORATION INC**
 on December 12, 1985 at 37 mins past 3 P. M.
 RECORDS OF
 EUREKA COUNTY, NEVADA
 M.N. REBALEATI, Recorder
 File No. 101685 Fee \$1,725.00

101685

T. 26 N.
T. 25 N.

R. 48 E. | R. 48 1/2 E.



Match Line to Map 1

Match Line to Map 4

○ LOCATION MONUMENT
 ALL CLAIMS ARE 600'x1500' UNLESS OTHERWISE NOTED
 ALL LOCATION MONUMENTS ARE OFFSET 10' FROM END CENTERS UNLESS OTHERWISE NOTED.
 ALL LOCATION MONUMENTS, SIDE CENTERS AND CORNERS ARE MONUMENTED WITH 4"x4"x 1/2" WOODEN POSTS

R. 48 E. | R. 48 1/2 E.

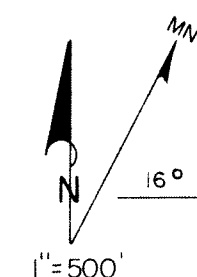
MAP

OF
 LODE MINING CLAIMS
 WITHIN
 TOWNSHIPS 25 & 26 NORTH, RANGES 48 & 48 1/2 EAST
 MOUNT DIABLO MERIDIAN
 EUREKA COUNTY, NEVADA
 FOR
 NORANDA EXPLORATION, INC.
 65 NORTH EDISON WAY, SUITE 4
 P.O. BOX 7176
 RENO, NEVADA 89510

GAP CLAIMS 1-418
 LOCATED-SEPTEMBER 17-23, 1985

FILED AT THE REQUEST OF **NORANDA EXPLORATION INC**
 on December 12 1985 at 37 mins past 3 P. M.
 RECORDS OF
 EUREKA COUNTY, NEVADA M.N. REGALEATI, Recorder
 File No. 101685 Fee 5.920.00

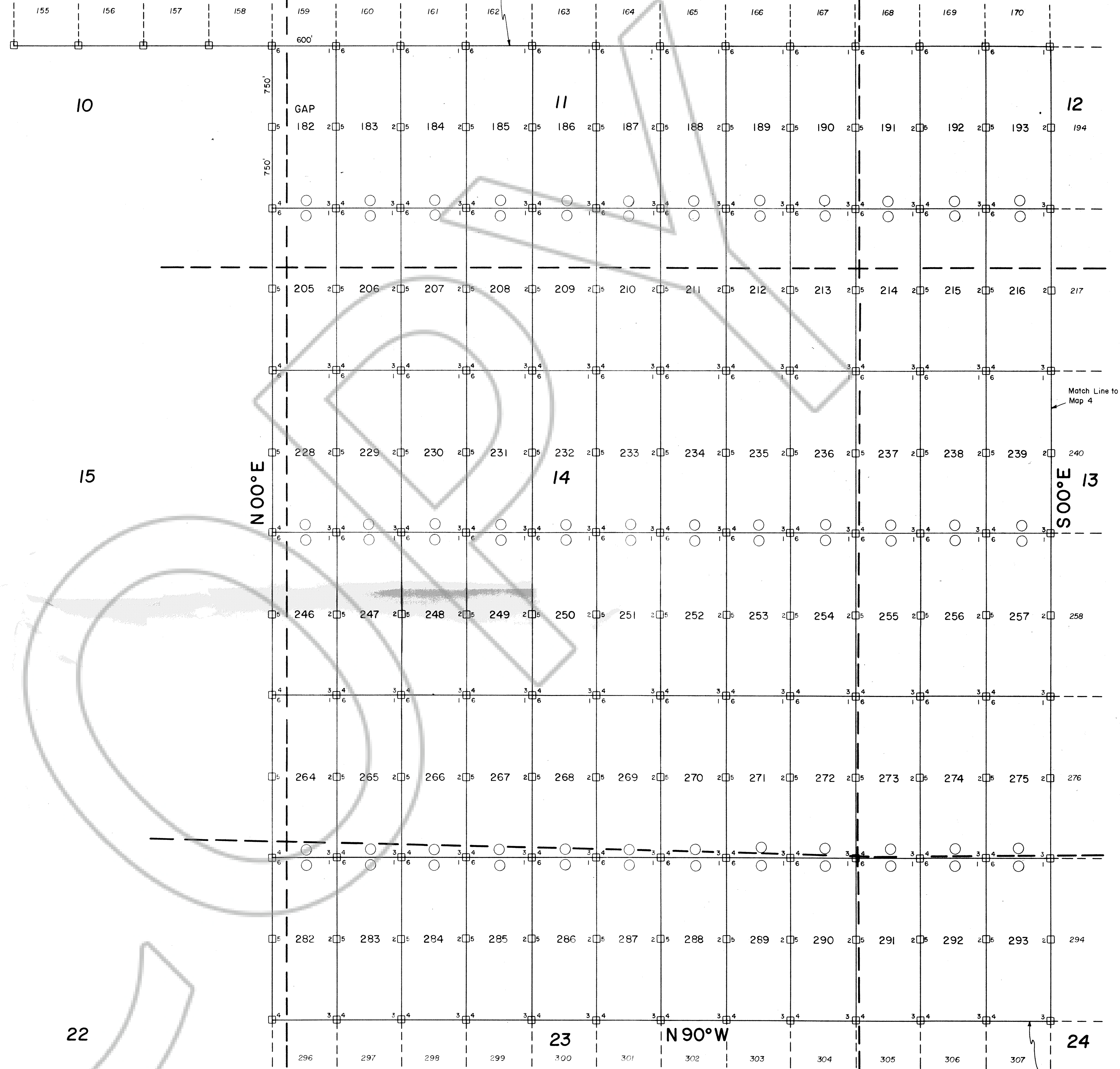
101685



R. 48 E.

N 90°E

Match Line to Map 1



T. 25 N.

○ LOCATION MONUMENT
 ALL CLAIMS ARE 600'x1500' UNLESS OTHERWISE NOTED.
 ALL LOCATION MONUMENTS ARE OFFSET 10' FROM END CENTERS UNLESS OTHERWISE NOTED.
 ALL LOCATION MONUMENTS, SIDE CENTERS AND CORNERS ARE MONUMENTED WITH 4"x4"x1/2" WOODEN POSTS.

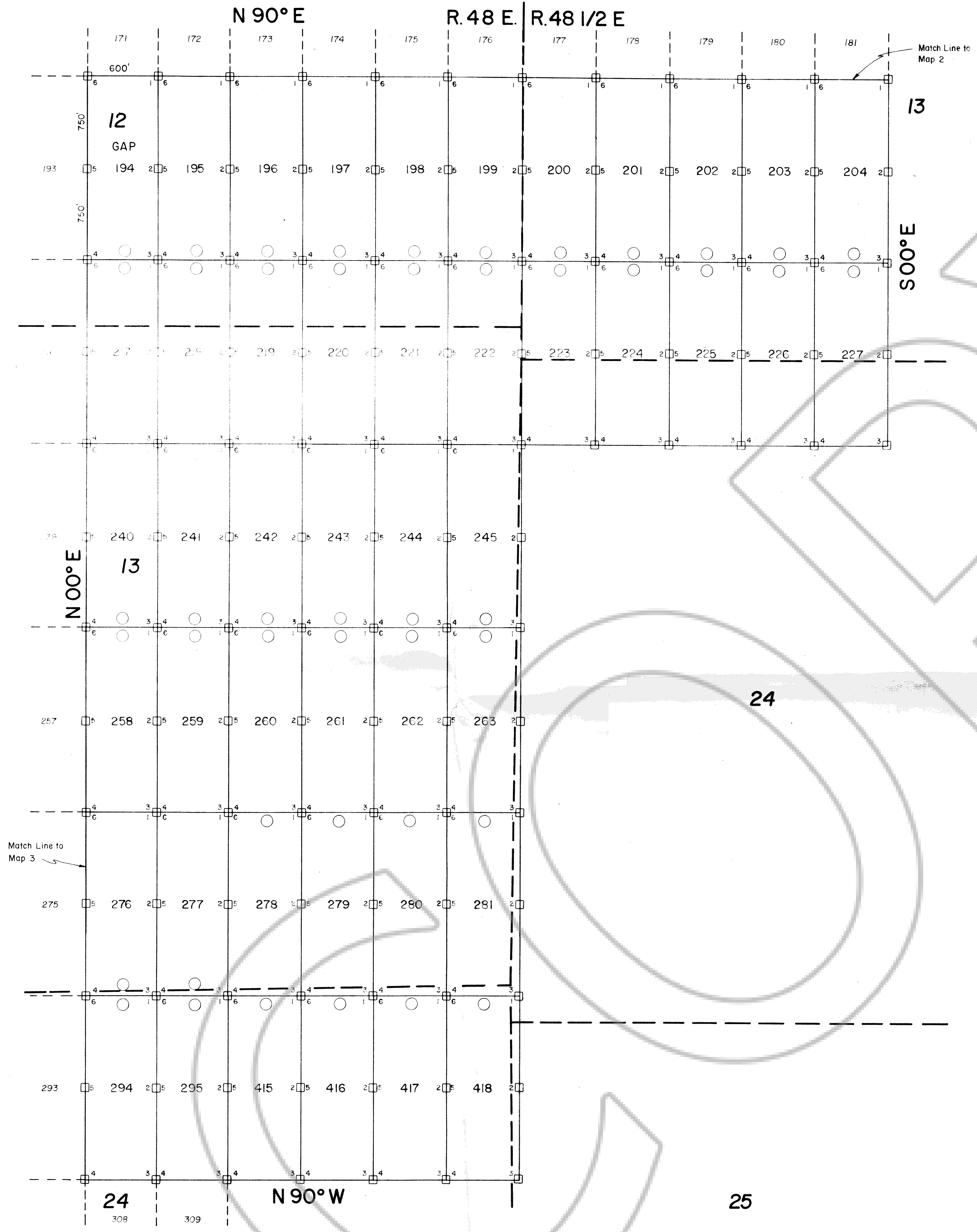
MAP

OF
 LODGE MINING CLAIMS
 WITHIN
 TOWNSHIP 25 NORTH, RANGE 48 EAST
 MOUNT DIABLO MERIDIAN
 EUREKA COUNTY, NEVADA
 FOR
 NORANDA EXPLORATION, INC.
 65 NORTH EDISON WAY, SUITE 4
 P.O. BOX 7176
 RENO, NEVADA 89510

GAP CLAIMS 1-418
 LOCATED - SEPTEMBER 17-23, 1985

FILED AT THE REQUEST OF **NORANDA EXPLORATION INC**
 on December 12, 1985 at 37 mins past 3 P. M.
 RECORDS OF
 EUREKA COUNTY, NEVADA M. N. REBALEATI, Recorder
 File No. 101685 Fee \$ 1.00

101685



T. 25 N.

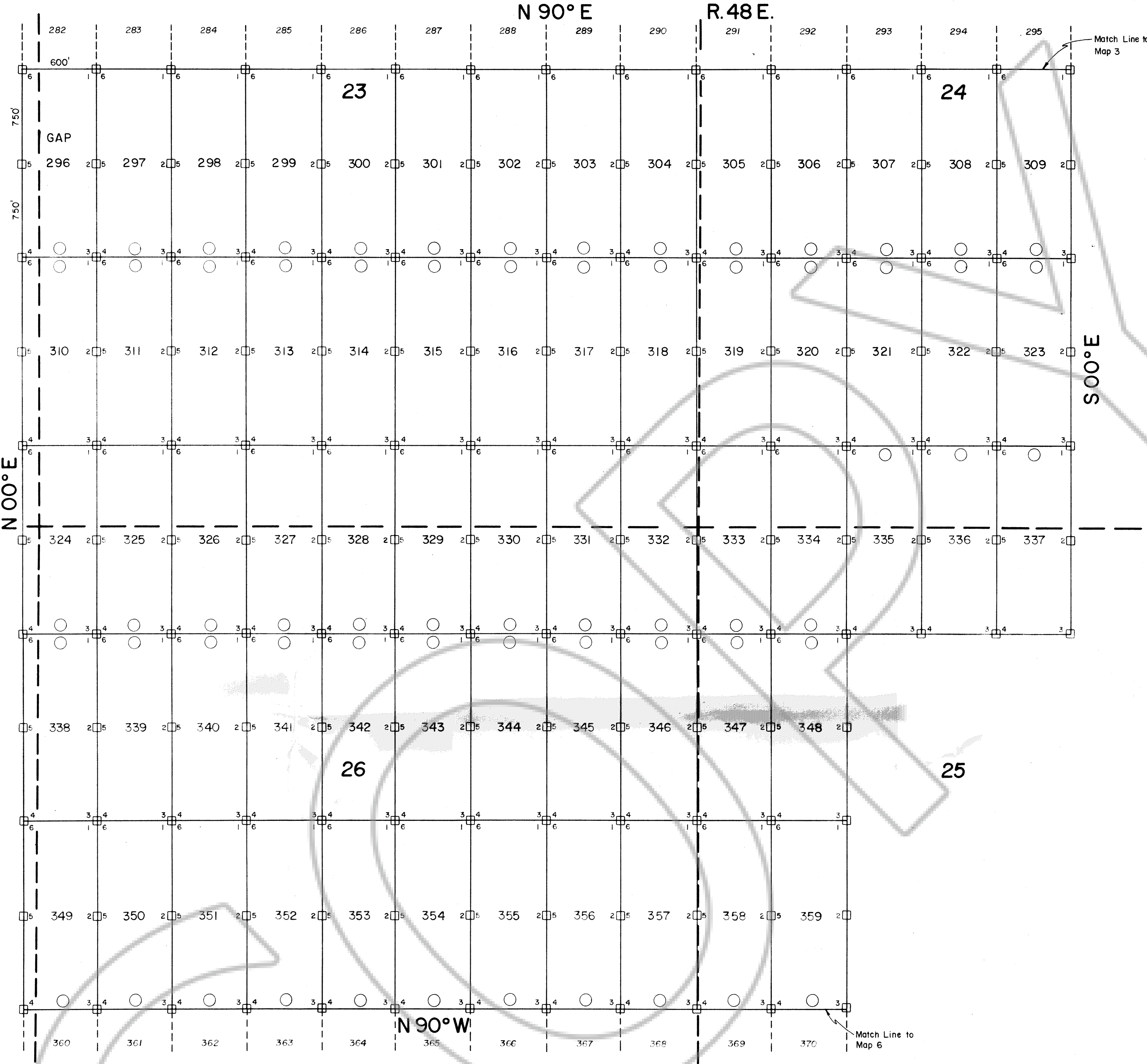
○ = LOCATION MONUMENT
 ALL CLAIMS ARE 600' x 1500' UNLESS OTHERWISE NOTED.
 ALL LOCATION MONUMENTS ARE OFFSET 10' FROM END CENTERS UNLESS OTHERWISE NOTED.
 ALL LOCATION MONUMENTS, SIDE CENTERS AND CORNERS ARE MONUMENTED WITH 4" x 4" x 4 1/2" WOODEN POSTS.

MAP
 OF
 LOSE MINING CLAIMS
 WITHIN
 TOWNSHIP 25 NORTH, RANGES 48 & 48 1/2 EAST
 MOUNT DIABLO MERIDIAN
 EUREKA COUNTY, NEVADA
 FOR
NORANDA EXPLORATION, INC.
 65 NORTH EDISON WAY, SUITE 4
 P.O. BOX 7176
 RENO, NEVADA 89510

GAP CLAIMS 1-418
 LOCATED - SEPTEMBER 17-23, 1985

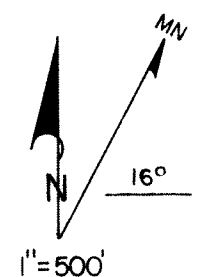
FILED AT THE REQUEST OF **NORANDA EXPLORATION INC**
 on October 12, 1985 at 11 mins past 3 P. M.
 RECORDS OF
 EUREKA COUNTY, NEVADA M.N. REBALEATI, Recorder
 File No. 101685 Fee 690.00
101685

22



27

T. 25 N.



○ = LOCATION MONUMENT
 ALL CLAIMS ARE 600' x 1500' UNLESS OTHERWISE NOTED.
 ALL LOCATION MONUMENTS ARE OFFSET 10' FROM END CENTERS UNLESS OTHERWISE NOTED.
 ALL LOCATION MONUMENTS, SIDE CENTERS AND CORNERS ARE MONUMENTED WITH 4" x 4" x 1/2" WOODEN POSTS.

MAP

OF
 LODE MINING CLAIMS
 WITHIN
 TOWNSHIP 25 NORTH, RANGE 48 EAST
 MOUNT DIABLO MERIDIAN
 EUREKA COUNTY, NEVADA
 FOR
NORANDA EXPLORATION, INC.
 65 NORTH EDISON WAY, SUITE 4
 P.O. BOX 7176
 RENO, NEVADA 89510

GAP CLAIMS 1-418
 LOCATED- SEPTEMBER 17-23, 1985

FILED AT THE REQUEST OF **NORANDA EXPLORATION INC**
 on December 12, 1985 at 37 mins past 3 P. M.
 RECORDS OF
 EUREKA COUNTY, NEVADA M.N. REBALEATI, Recorder
 File No. **101685** Fee 1960.00

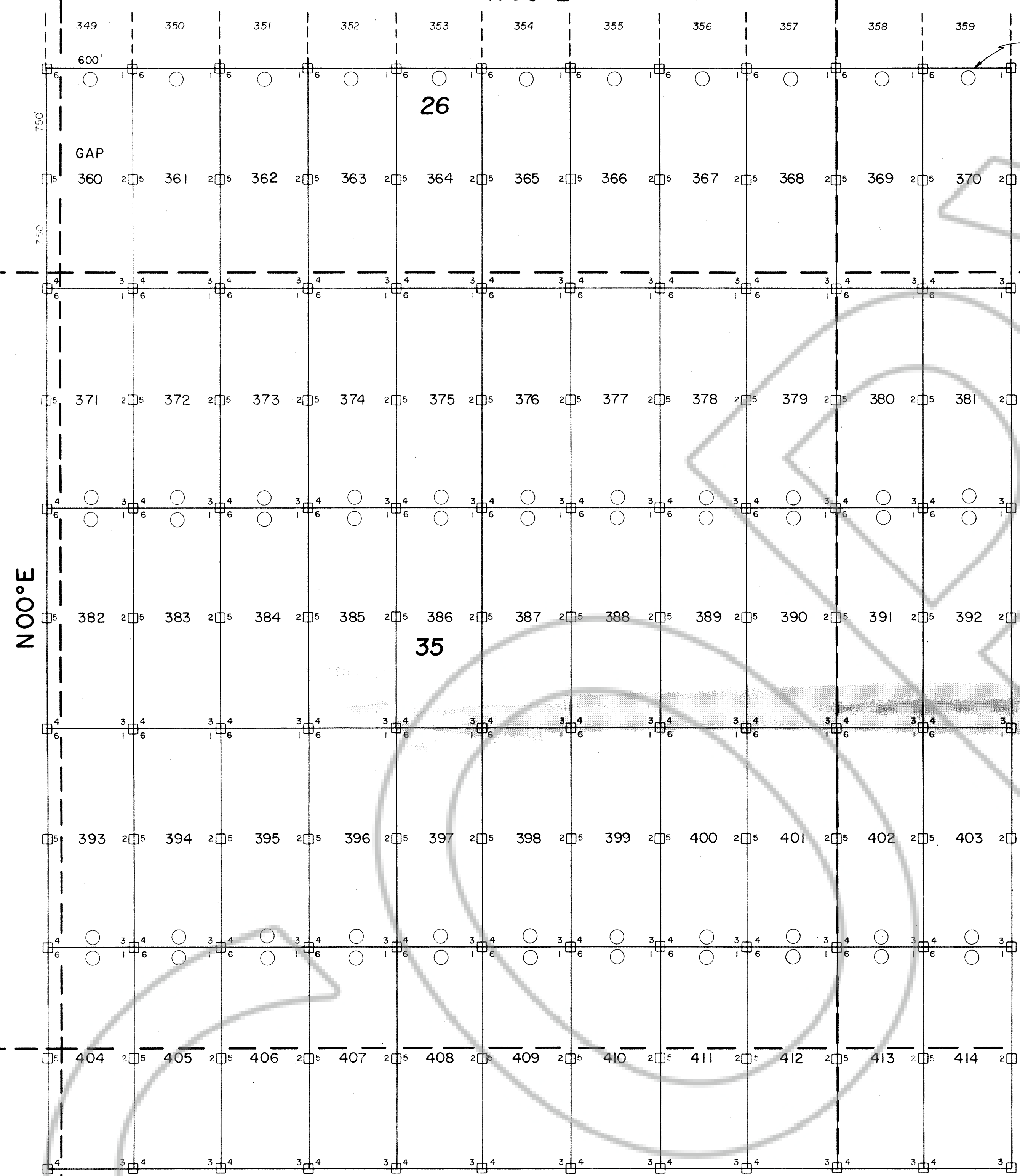
R. 48 E.

27

N 90° E

26

25



34

N 00° E

35

S 00° E

36

3

2

N 90° W

1

T. 25 N.
T. 24 N.

MAP

OF
LODE MINING CLAIMS
WITHIN
TOWNSHIPS 24 & 25 NORTH, RANGE 48 EAST
MOUNT DIABLO MERIDIAN
EUKEKA COUNTY, NEVADA
FOR
NORANDA EXPLORATION, INC.
65 NORTH EDISON WAY, SUITE 4
P.O. BOX 7176
RENO, NEVADA 89510

GAP CLAIMS 1-418
LOCATED - SEPTEMBER 17-23, 1985

FILED AT THE REQUEST OF **NORANDA EXPLORATION INC**
on December 12 1988 at 37 mins past 3 P. M.
RECORDS OF
EUKEKA COUNTY, NEVADA M. N. REGALEATI, Recorder
FILE NO. **101685** Fee \$ 23.00

101685

○ = LOCATION MONUMENT
ALL CLAIMS ARE 600'x1500' UNLESS OTHERWISE NOTED.
ALL LOCATION MONUMENTS ARE OFFSET 10' FROM END CENTERS UNLESS OTHERWISE NOTED.

ALL LOCATION MONUMENTS, SIDE CENTERS AND CORNERS ARE MONUMENTED WITH 4"x4"x4 1/2" WOODEN POSTS.

