

R 50 E

T 23 N

T 22 N

35 36

2 1

34 35

3 2

2 1

11 12

3 2

10 11

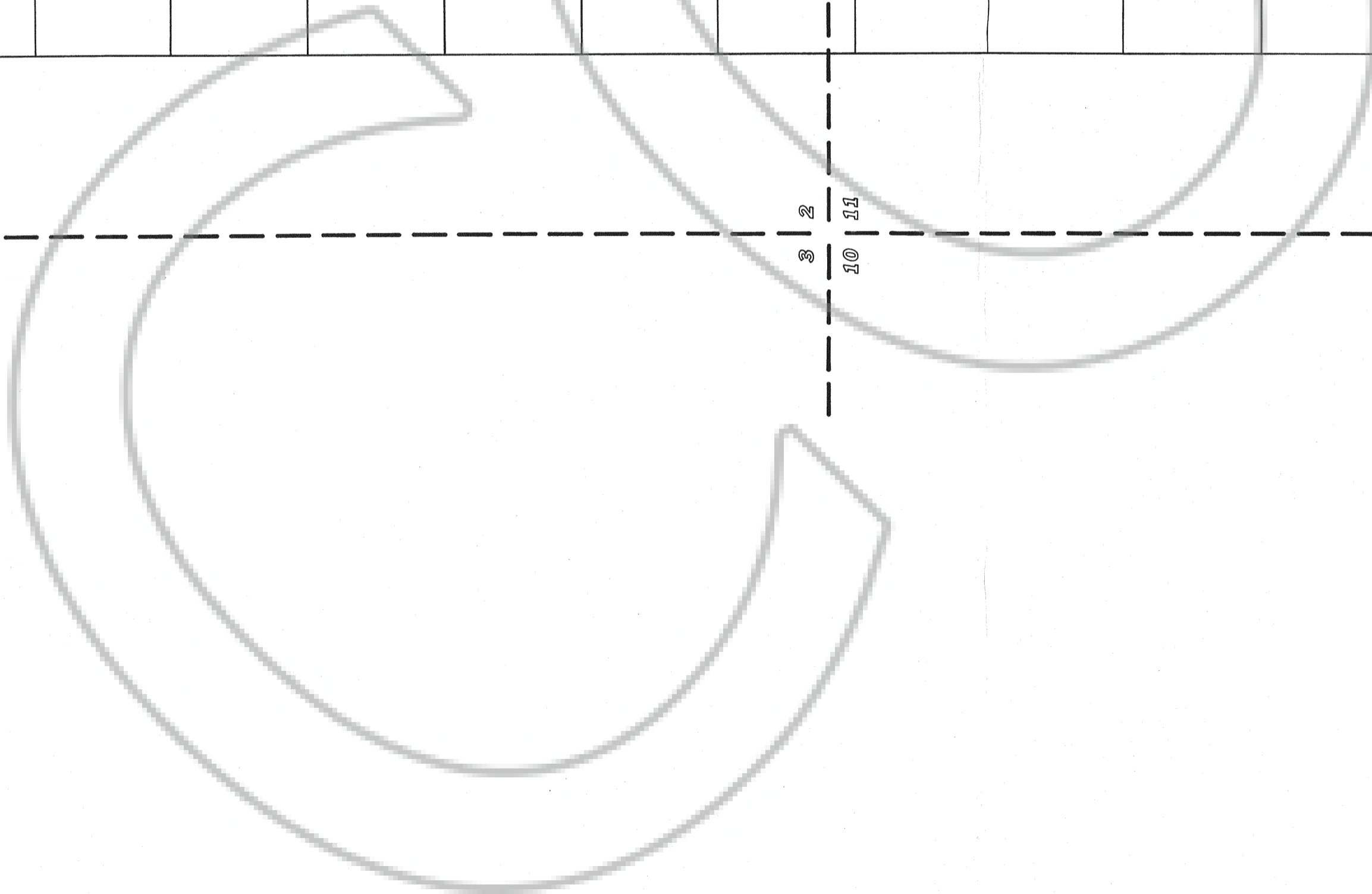
11 12

14 15

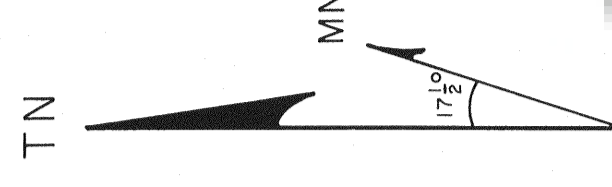
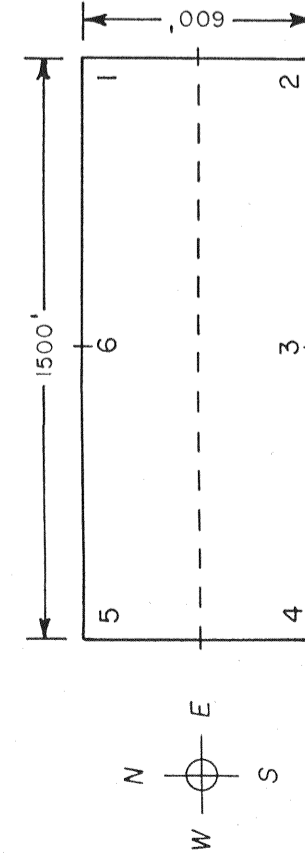
10 11

13 14

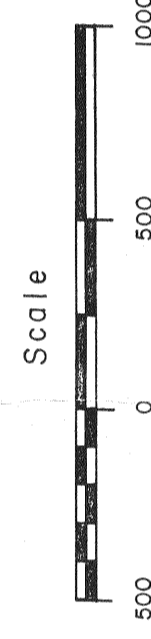
CC 80	CC 79
CC 82	CC 81
CC 84	CC 83
CC 86	CC 85
CC 88	CC 87
CC 90	CC 89
CC 92	CC 91
CC 94	CC 93
CC 96	CC 95
CC 98	CC 97
CC 100	CC 99
CC 102	CC 101
CC 104	CC 103
CC 106	CC 105
CC 108	CC 107
CC 110	CC 109
CC 112	CC 111



Typical Claim



Post 2 of CC 111 located approx-
imately 10,750', bearing N 8 3/4° W
from intersection of surveyed Secs.
23, 24, 25, 26, T 22 N - R 50 E.



FILED AT THE REQUEST OF **Resource Associates of Alaska, Inc.**
on **July 28**, 1986 at **2:45** p.m. by **J. A. M.**
CLERK, COUNTY CLERK
EUREKA COUNTY, NEVADA
File No. **103986**
MIN. REVENUE, Recorder
Fee \$102.00

CC Lode Claims 79 - 112 located May 21 & 22, 1986 by:
RESOURCE ASSOCIATES OF ALASKA, INC.
111 SW Columbia, Suite 800
Portland, Oregon 97201

RESOURCE ASSOCIATES OF ALASKA, INC.
111 S W COLUMBIA, SUITE 800
PORTLAND, OREGON 97201

C C Lode Claim Block

Unsurveyed Secs. 2 & 11, T 22 N - R 50 E
Eureka County, Nevada

Sheet No.:
1 of 1
Scale:
1 in. = 500 ft.
Drafted by:
K. Russell
REVISIONS: