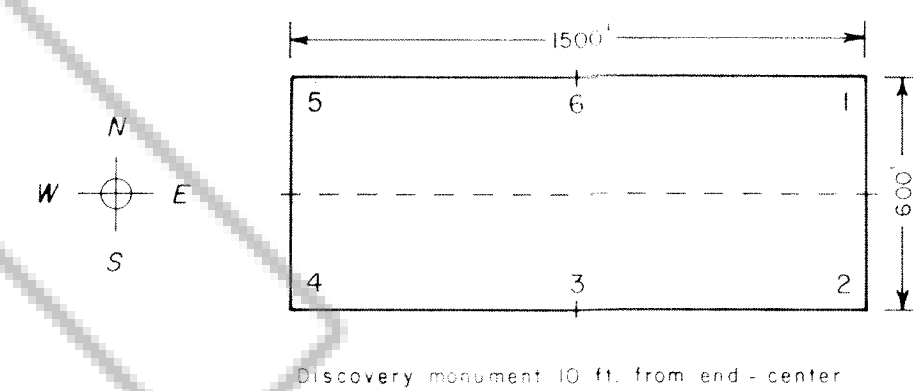


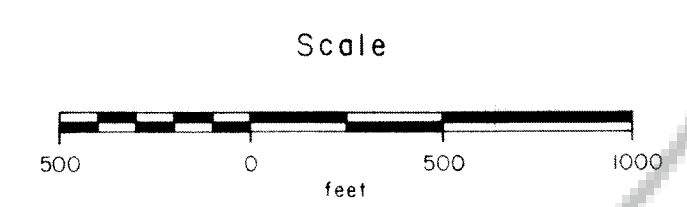
* Summit Claim Nos. 51 - 70 are contiguous with Summit Claim Nos. 1 - 50 (see Sheet 1).

SUMMIT 51	SUMMIT 52	SUMMIT 53	SUMMIT 54
SUMMIT 49	SUMMIT 50	SUMMIT 55	SUMMIT 56
SUMMIT 47	SUMMIT 48	SUMMIT 57	SUMMIT 58
SUMMIT 45	SUMMIT 46	SUMMIT 59	SUMMIT 60
SUMMIT 43	SUMMIT 44	SUMMIT 61	SUMMIT 62
SUMMIT 41	SUMMIT 42	SUMMIT 63	SUMMIT 64
SUMMIT 65	SUMMIT 66		
SUMMIT 67	SUMMIT 68		
SUMMIT 69	SUMMIT 70		



Summit Claim Nos. 1 - 64 located May 11, 12, & 18, 1986 ;
Summit Claim Nos. 65 - 70 located June 16, 1986 by :

RESOURCE ASSOCIATES OF ALASKA, INC.
111 SW Columbia, Suite 800
Portland, Oregon 97201



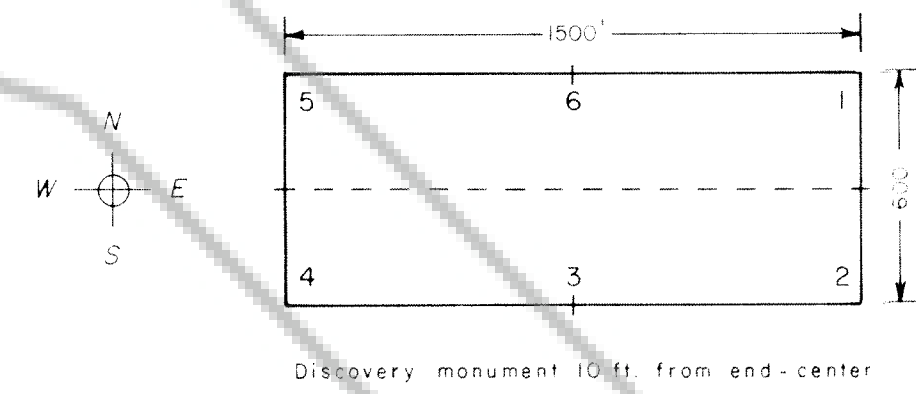
FILED AT THE REQUEST OF Resource Assn. of Alaska, Inc.
on Aug 4th 1986 at 4:52 mins past 11 A.M.
EUREKA COUNTY, NEVADA RECORDS OF
M.N. REBALEATI, Recorder
Fee \$96.00
File No. 104101

SCALE: 1 in. = 500 ft.	RESOURCE ASSOCIATES OF ALASKA, INC. 111 S W COLUMBIA, SUITE 800 PORTLAND, OREGON 97201
SHEET NO. 2 of 2	
DRAFTED BY K. Russell	Summit Lode Claim Block T 23 N - R 48 E Surveyed Secs. 1, 2, 11, 12, 13, 14 Eureka County, Nevada
REVISIONS:	

VABM 8481 (McClusky Peak)
 NW Cor of Summit 33 located approx
 1940', bearing S14E from VABM 8481

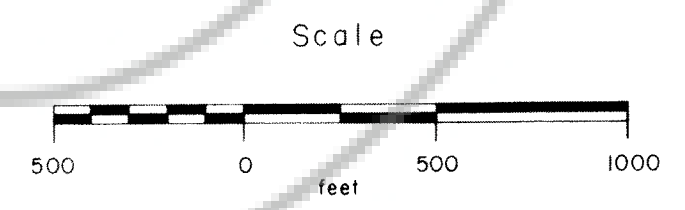
SUMMIT 33	SUMMIT 34	SUMMIT 39	SUMMIT 40
SUMMIT 31	SUMMIT 32	SUMMIT 37	SUMMIT 38
SUMMIT 29	SUMMIT 30	SUMMIT 35	SUMMIT 36
SUMMIT 13	SUMMIT 14	SUMMIT 15	SUMMIT 16
SUMMIT 11	SUMMIT 12	SUMMIT 17	SUMMIT 18
SUMMIT 9	SUMMIT 10	SUMMIT 19	SUMMIT 20
SUMMIT 7	SUMMIT 8	SUMMIT 21	SUMMIT 22
SUMMIT 5	SUMMIT 6	SUMMIT 23	SUMMIT 24
SUMMIT 3	SUMMIT 4	SUMMIT 25	SUMMIT 26
SUMMIT 1	SUMMIT 2	SUMMIT 27	SUMMIT 28

Typical Claim



Summit Claim Nos. 1 - 64 located May 11, 12, & 18, 1986 ;
 Summit Claim Nos. 65 - 70 located June 16, 1986 by :
RESOURCE ASSOCIATES OF ALASKA, INC.
 111 SW Columbia, Suite 800
 Portland, Oregon 97201

* Summit Claim Nos. 1-40 are contiguous with Summit Claim Nos. 41-70 (see Sheet 2).



FILED AT THE REQUEST OF Resource Asso. of Alaska, Inc.
 on Aug. 4th, 1986 at 4:55 mins past 11 A.M.
 RECORDS OF
 EUREKA COUNTY, NEVADA
 File No. 10410 M.N. REDALEAT: Recorder
 Fee \$960.00

Scale: 1 in. = 500 ft.	RESOURCE ASSOCIATES OF ALASKA, INC. 111 SW COLUMBIA, SUITE 800 PORTLAND, OREGON 97201
Sheet No.: 1 of 2	
Drafted by: K. Russell	Summit Lode Claim Block T 23 N - R 48 E Surveyed Secs. 1, 2, 11, 12, 13, 14 Eureka County, Nevada
Revisions:	