

- LEGEND**
- — 3/4" DURABLE PLASTIC PIPE MONUMENT 4' LONG
  - ⊗ — 4" DIA DURABLE PLASTIC PIPE LOCATION MONUMENT 5' LONG
  - ⊠ — 4" x 4" x 1/2" WOOD POST MONUMENT
  - ⊞ — 4" x 4" WOOD POST LOCATION MONUMENT 4' LONG
  - — 3/4" DURABLE PLASTIC PIPE LOCATION MONUMENT 4' LONG
  - ⊕ — INDICATES SECTION CORNER - SECTION LINES ARE PROJECTED

**NOTE:** LOCATION MONUMENTS 10' FROM END LINE

**LOCATION DATES**

JUNE 26, 1986 - 43 THROUGH 76 AND 85 THROUGH 120  
 JULY 11, 1986 - 133 THROUGH 168  
 JULY 14, 1986 - 19 THROUGH 98

SHEET 1 OF 3

**MAP OF THE  
 WI LODE MINING CLAIMS  
 EUREKA COUNTY, NEVADA**

LOCATED BY  
 RICHARD J. KEHMEIER  
 GREGORY McN. FRENCH  
 RICHARD D. INBERG  
 AGENTS FOR  
**ATLAS PRECIOUS METALS INC.**

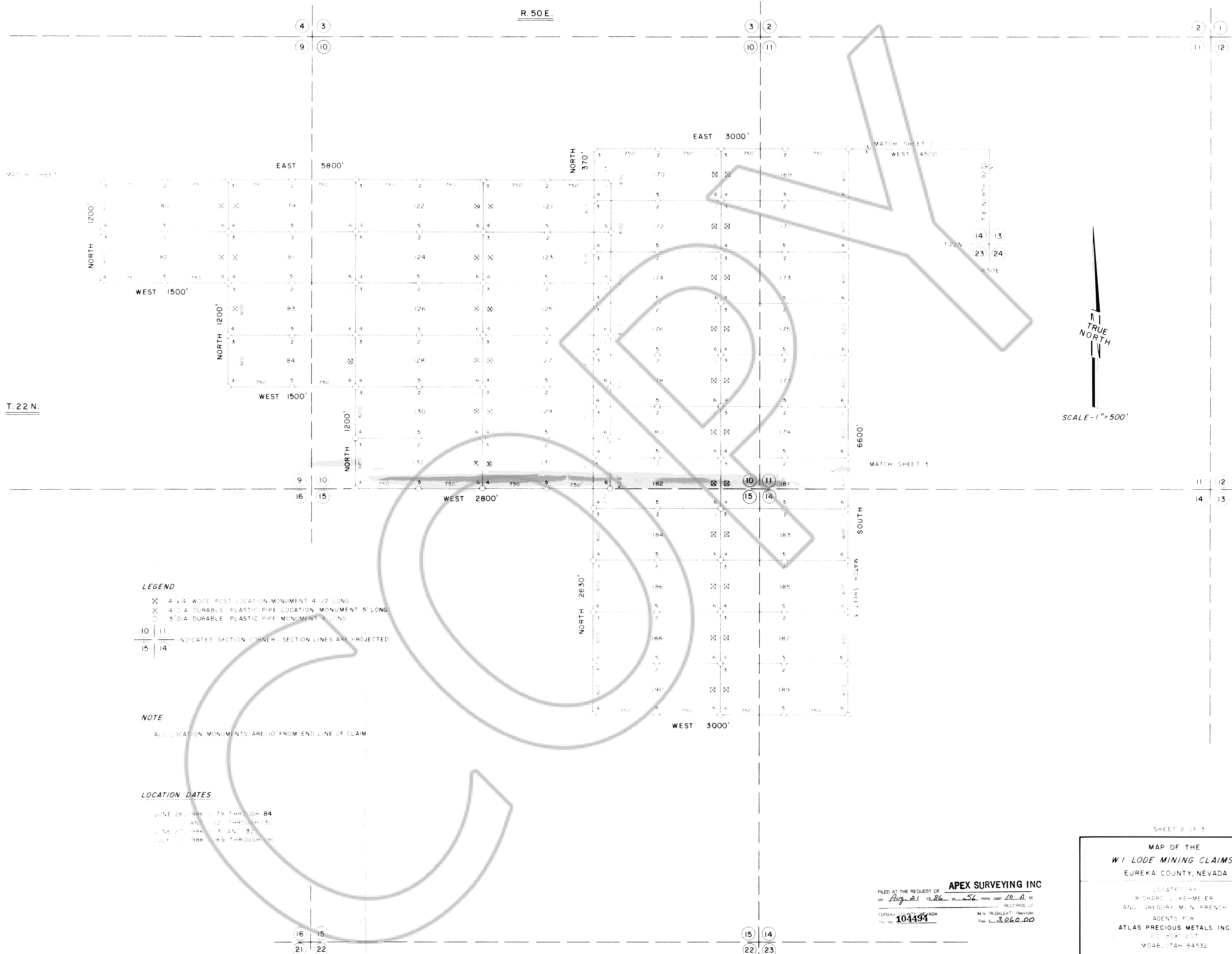
P. O. BOX 1207  
 MOAB, UTAH 84532  
 AUGUST 4, 1986

**APEX SURVEYING INC**  
 FILED AT THE REQUEST OF  
 on Aug 21 1986 at 56 mins past 10 A. M.  
 RECORD OF  
 EUREKA COUNTY, NEVADA M.N. REDEALATI, Recorder  
 REC NO. 104494 Fee \$ 3060.00

104494

MATCH LINE SHEET 2

R. 50 E.



**LEGEND**

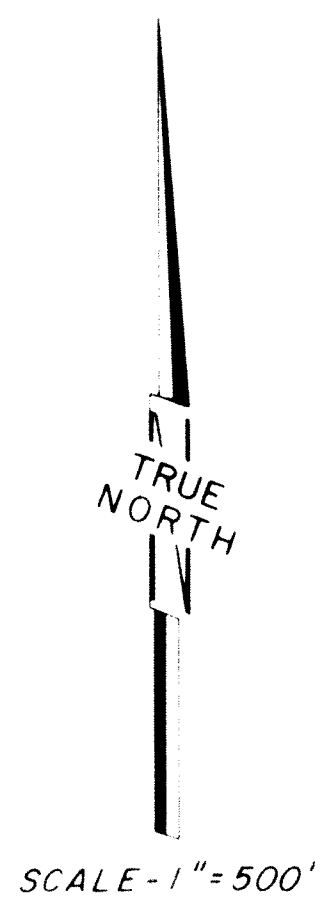
- ⊗ 4" x 4" WOOD POST LOCATION MONUMENT 4 1/2' LONG
- ⊗ 4" DIA DURABLE PLASTIC PIPE LOCATION MONUMENT 5' LONG
- ⊗ 3" DIA DURABLE PLASTIC PIPE MONUMENT 4' LONG
- ⊗ INDICATES SECTION CORNER - SECTION LINES ARE PROJECTED

**NOTE**

ALL LOCATION MONUMENTS ARE 10' FROM END LINE OF CLAIM

**LOCATION DATES**

JUNE 26, 1986 - 79 THROUGH 84  
 JAN 1, 1986 - 121 THROUGH 130  
 JUNE 27, 1986 - 141 AND 132  
 JULY 1, 1986 - 169 THROUGH 190



SHEET 2 OF 3

**MAP OF THE  
W I LODE MINING CLAIMS  
EUREKA COUNTY, NEVADA**

LOCATED BY  
RICHARD J. KEMMERER  
AND GREGORY M. FRENCH

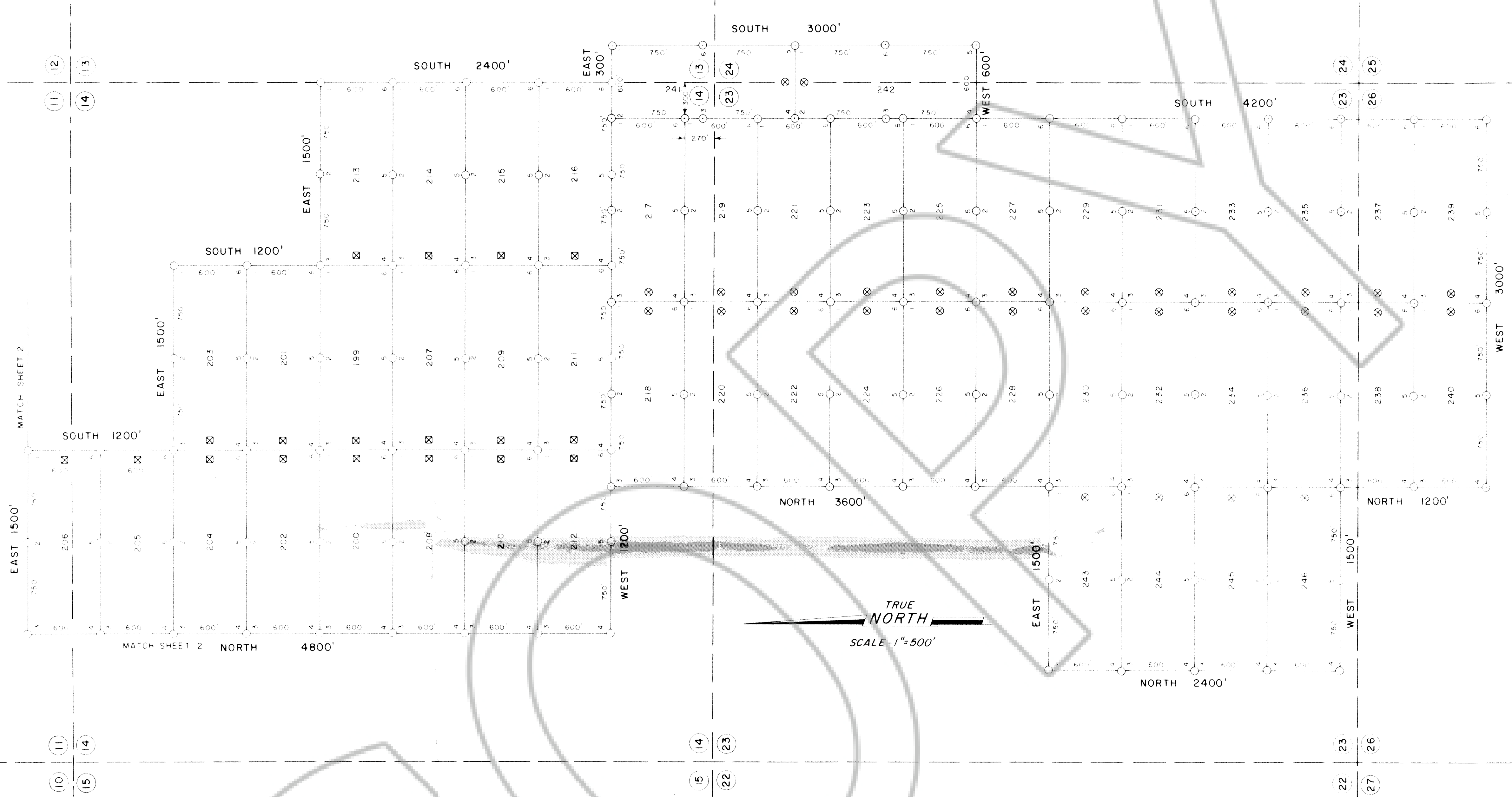
AGENTS FOR  
**ATLAS PRECIOUS METALS INC.**  
P.O. BOX 207  
MOAB, UTAH 84532  
AUGUST 4, 1986

**APEX SURVEYING INC.**  
RIVERTON, WYOMING

FILED AT THE REQUEST OF **APEX SURVEYING INC**  
 on Aug 21 1986 at 52 mins past 10 A. M.  
 EUREKA COUNTY, NEVADA M.N. (REBALANCE) RECORD  
 Fee No. **104494** Fee \$ 3,000.00

104494

R. 50 E.



T. 22 N.

**LEGEND**

- ⊗ - 4" x 4" WOOD POST LOCATION MONUMENT 4 1/2' LONG
- ⊗ - 4" DIA DURABLE PLASTIC PIPE LOCATION MONUMENT 4' LONG
- ⊗ - 4" DIA DURABLE PLASTIC PIPE 4' LONG
- ⊗ - 3" DIA DURABLE PLASTIC PIPE 4' LONG
- ④ | ③  
②③ | ②④ INDICATES SECTION CORNER - SECTION LINES ARE PROJECTED

**NOTE**

ALL LOCATION MONUMENTS ARE 10' FROM CLAIM END LINE

**LOCATION DATES**

- JULY 14, 1986 - 199 THROUGH 206
- JULY 19, 1986 - 207 THROUGH 240
- JULY 20, 1986 - 241 AND 242
- AUGUST 8, 1986 - 243 THROUGH 246

104494

**APEX SURVEYING INC**  
 FILED AT THE REQUEST OF \_\_\_\_\_  
 on Aug. 21 1986 at 56 mins past 10 A M  
 RECORD OF \_\_\_\_\_  
 EUREKA COUNTY, NEVADA  
 MIN. FEE: \$\_\_\_\_\_  
 Fee: 3,060.00

SHEET 3 OF 3

MAP OF THE  
**W I LODE MINING CLAIMS**  
 EUREKA COUNTY, NEVADA

---

LOCATED BY RICHARD D. NIBERS  
 AGENT FOR  
**ATLAS PRECIOUS METALS INC.**  
 P.O. BOX 1207  
 MOAB, UTAH 84532  
 AUGUST 4, 1986

---

APEX SURVEYING INC. RIVERTON, WYOMING