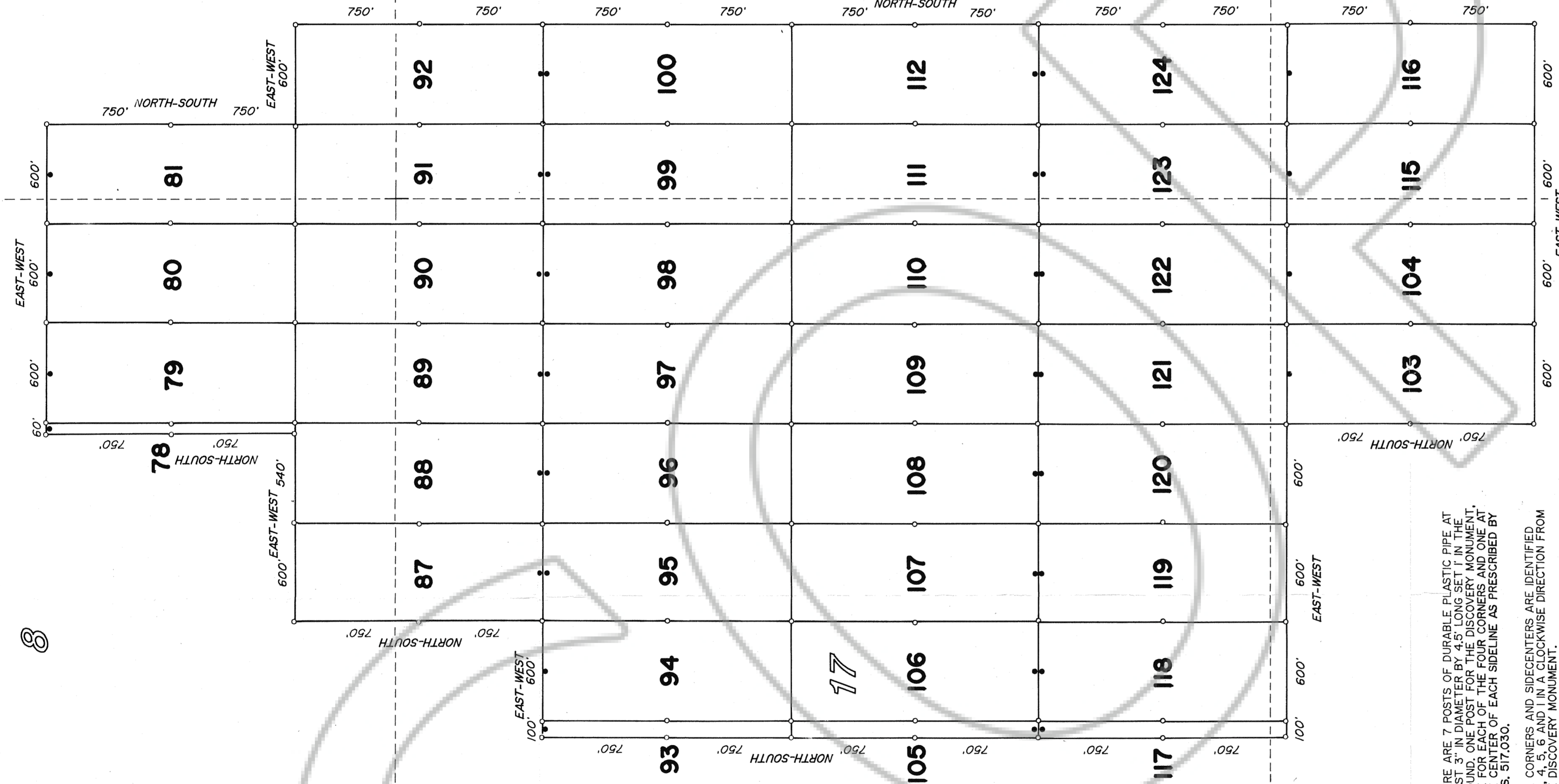


8



9

17

16

T. 23 N., R. 50 E.
MOUNT DIABLO
BASE & MERIDIAN
EUREKA CO., NEVADA

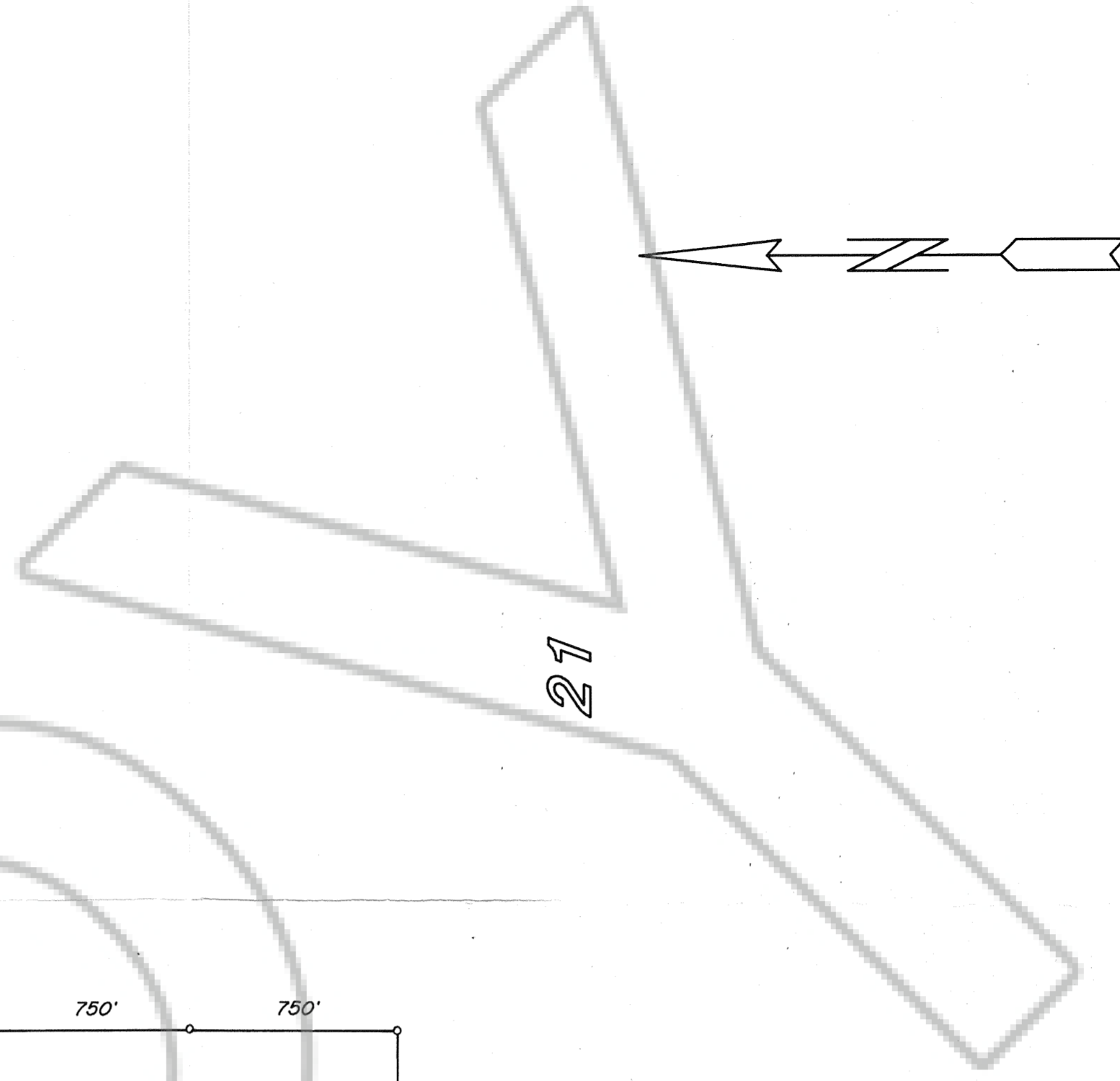
THERE ARE 7 POSTS OF DURABLE PLASTIC PIPE AT LEAST 3" IN DIAMETER BY 45" LONG SET IN THE GROUND, ONE POST FOR THE DISCOVERY MONUMENT, ONE FOR EACH OF THE FOUR CORNERS OF THE SECTION, AND ONE FOR EACH END OF THE SINE LINE. THE CENTER OF EACH SINE LINE AS PRESCRIBED BY N.R.S. 517.030.

ALL CORNERS AND SIDECENTERS ARE IDENTIFIED BY NUMBER IN THE COUNTERWISE DIRECTION FROM THE DISCOVERY MONUMENT.

THE DISCOVERY MONUMENT FOR WP-91 IS 880' SOUTH EAST FROM THE DISCOVERY MONUMENT FOR SECTION 9, TOWNSHIP 23 NORTH RANGE 50 EAST, MOUNT DIABLO, BASE & MERIDIAN.

20

LODE CLAIM	DATE	LOCATOR
WP-87 THRU 100	5/1/87	ASARCO Incorporated
WP-78 THRU 81	5/2/87	510 East Plumb Lane Reno, Nevada 89502
WP-103 THRU 112 115 THRU 124	6/7/87	



ASARCO Incorporated
510 EAST PLUMB LANE
RENO, NEVADA 89502



FILED AT THE REQUEST OF Asarco
on July 22, 1987 at 6 min. past 3:00 P.
RECORDS OF
EUREKA COUNTY, NEVADA
M.A. REDALENTI, Recorder
File No. 110241
Pub. 577, 672

mi 6467 BLM/dam lucson 6-87

110241

