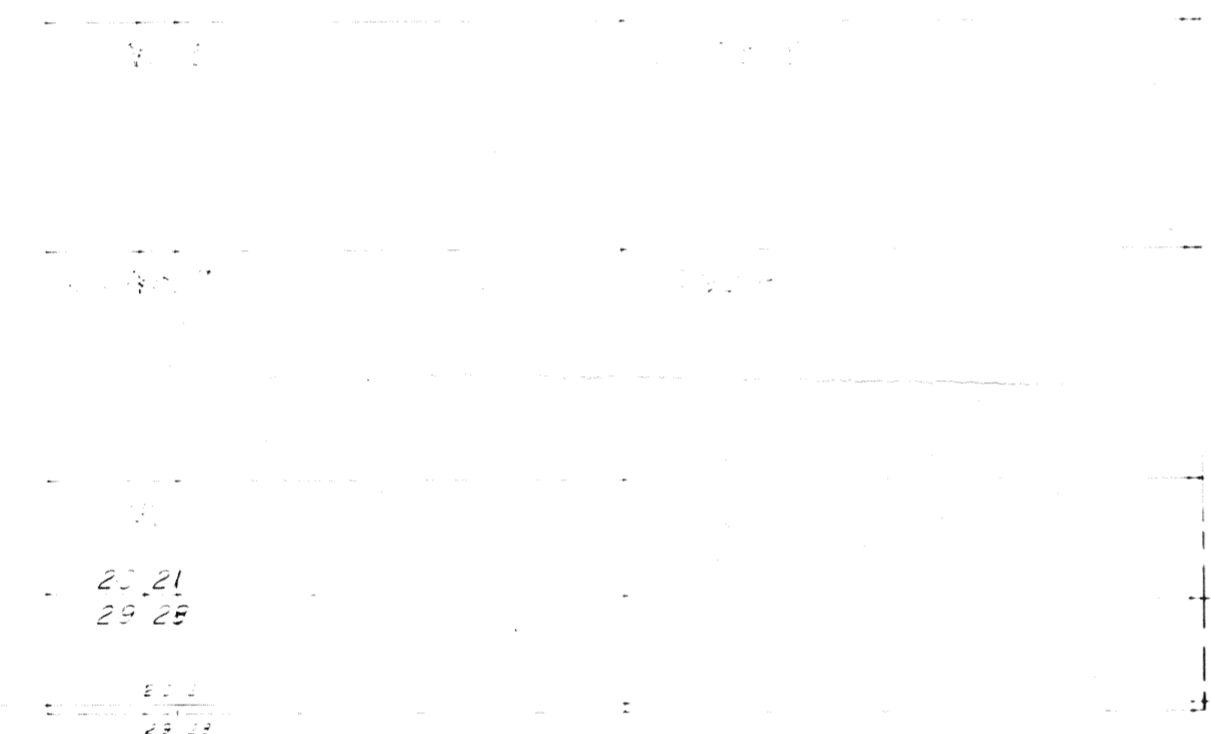
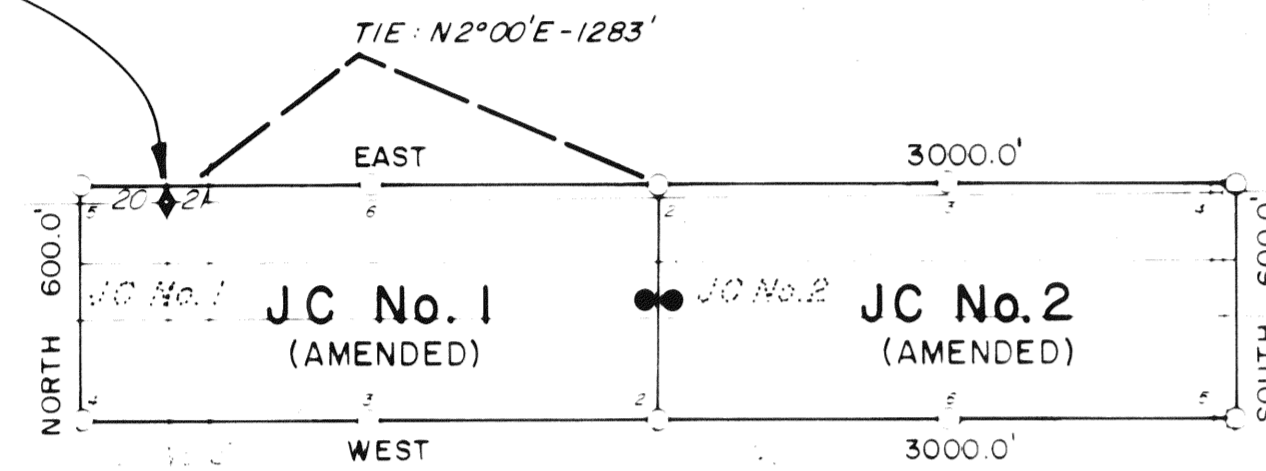


FOUND 1/4 SECTION CORNER

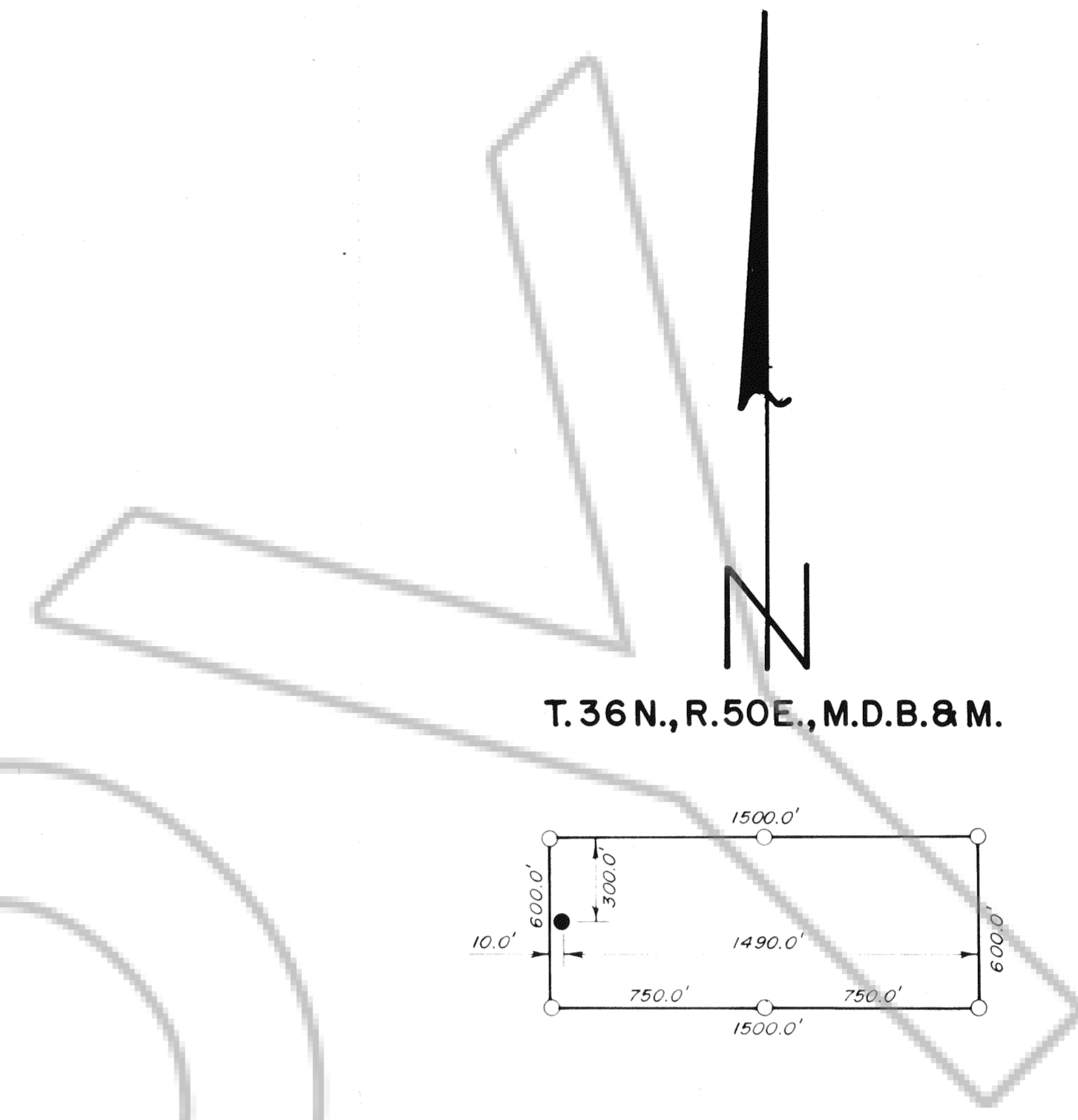


← NEW SECTION LINE POSITION  
 ← OLD PROJECTED SECTION LINES

RECORDING DATA

JC No. 1  
 DATE: JULY 11, 1983  
 TIME: 11:47 AM  
 FILE No.: 88094  
 BOOK: 112 PAGE: 66  
 BLM No.: NMC274093

JC No. 2  
 DATE: JULY 11, 1983  
 TIME: 11:47 AM  
 FILE No.: 88095  
 BOOK: 112 PAGE: 67  
 BLM No.: NMC274094



T. 36 N., R. 50 E., M. D. B. & M.

TYPICAL DIMENSIONING FOR AMENDED JC No. 1 & JC No. 2 LODE CLAIMS

LOCATION DATE: JULY 17, 1987

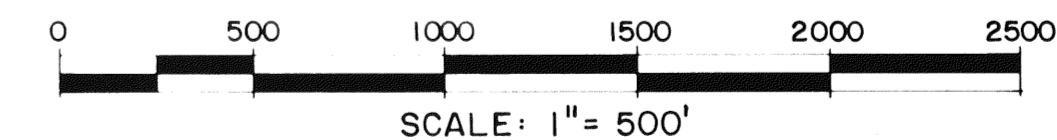
LEGEND

- ◆ FOUND 1/4 SECTION CORNER, ALUMINUM CAP, DATED: 1987
- CLAIM POST 4" DIA. x 5'-0" P.V.C. PIPE APPROPRIATLY MARKED FOR CLAIM CORNER
- LOCATION MONUMENT - 4" DIA. x 5'-0" P.V.C. PIPE WITH LOCATION NOTICE ATTACHED

NOTES:

1. THIS MAP IS TO CORRECT ANY DEFICIENCIES IN THE JC LODE CLAIM GROUP SINCE THE DEPENDENT RESURVEY OF T. 36 N., R. 50 E., M. D. B. & M., Dated: APRIL 3, 1987

FILED AT THE REQUEST OF *Newmont Exploration Limited*  
 on *Aug 31* 19 *87*, at *11:18* mins, past *11:00* A.M.,  
 RECORDS OF EUREKA COUNTY, NEVADA M. N. REBALEATI, Recorder  
 File No. *110972* Fee \$ *60.00*



FILING DATA

FILED AT THE REQUEST OF:

DATE: \_\_\_\_\_  
 TIME: \_\_\_\_\_  
 FILE No.: \_\_\_\_\_

EUREKA COUNTY, RECORDER

**MAP OF**  
**AMENDED JC No. 1 & JC No. 2 LODE CLAIMS**  
 SITUATED IN SECTIONS 20 & 21, T. 36 N., R. 50 E., M. D. B. & M.  
 LYNN MINING DISTRICT  
 EUREKA COUNTY, NEVADA

BY  
**NEWMONT EXPLORATION LIMITED**  
 200 WEST DESERT SKY ROAD  
 TUCSON, ARIZONA 85737