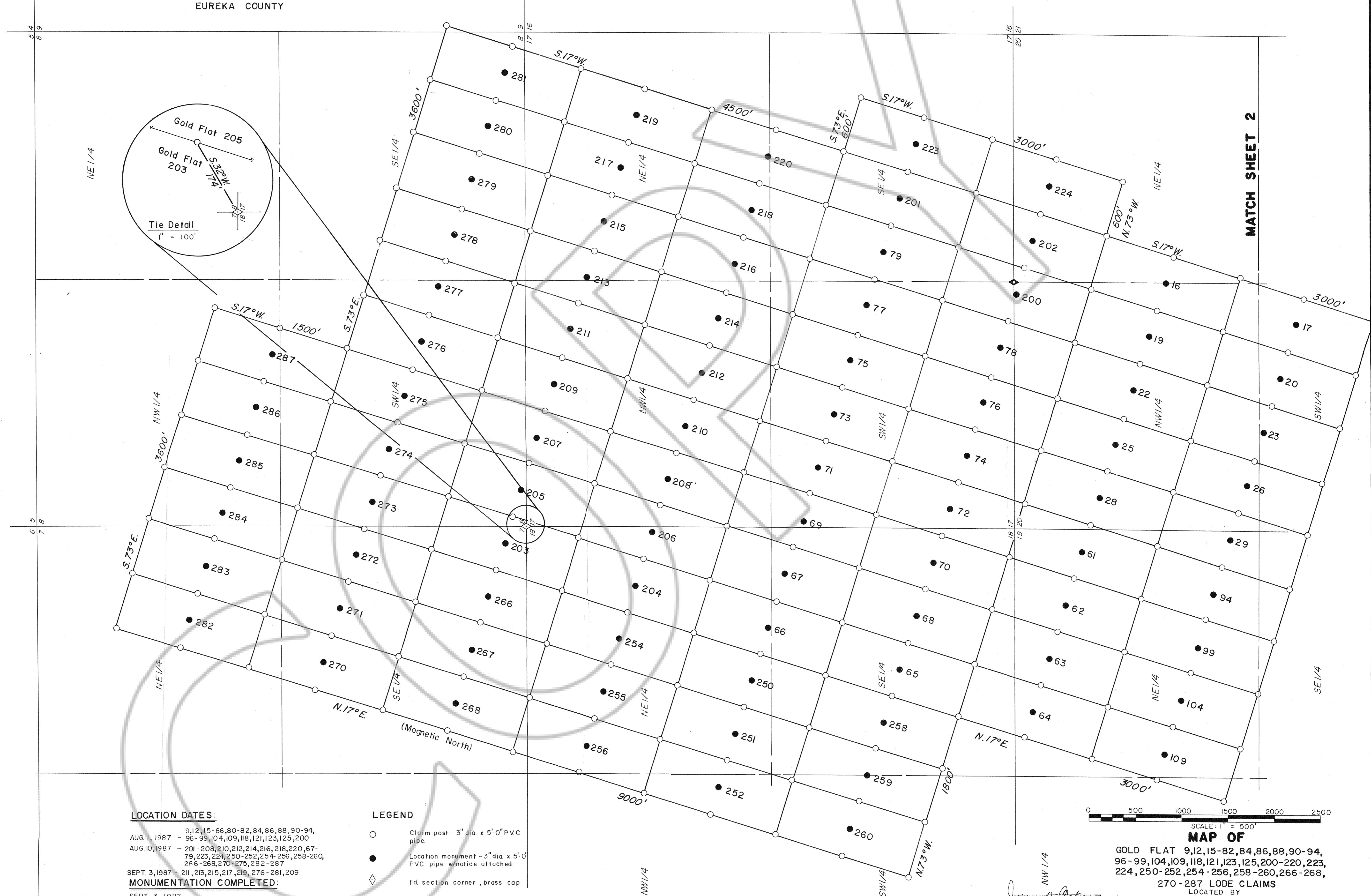
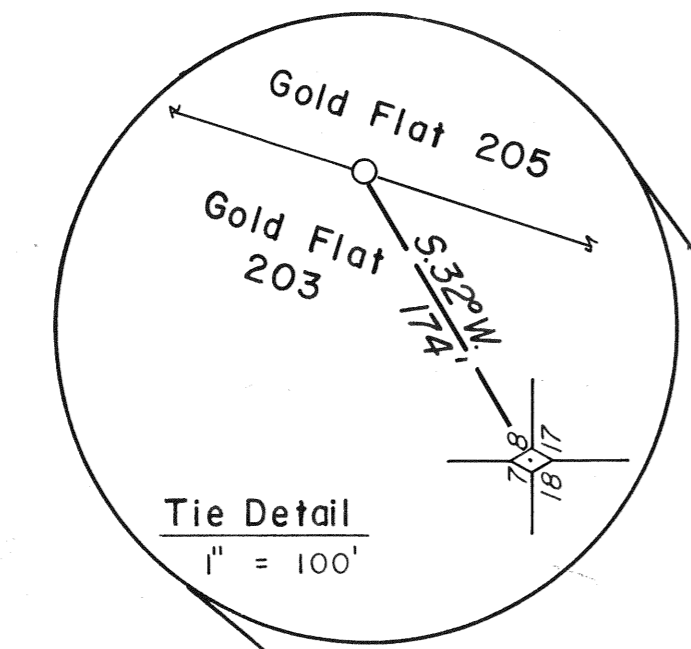


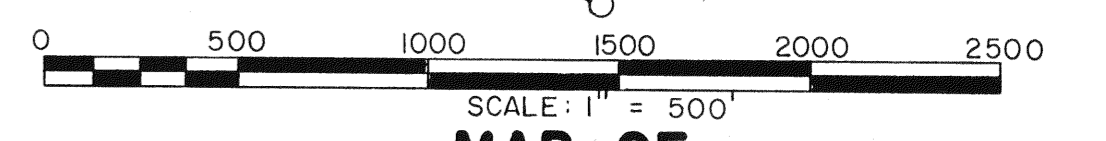
T. 27 N., R. 50 E., M.D.M.  
EUREKA COUNTY



**LOCATION DATES:**  
 9,12,15-66,80-82,84,86,88,90-94,  
 AUG. 1, 1987 - 96-99,104,109,118,121,123,125,200  
 AUG. 10, 1987 - 201-208,210,212,214,216,218,220,67-  
 79,223,224,250-252,254-256,258-260,  
 266-268,270-275,282-287  
 SEPT. 3, 1987 - 211,213,215,217,219,276-281,209  
**MONUMENTATION COMPLETED:**  
 SEPT. 3, 1987

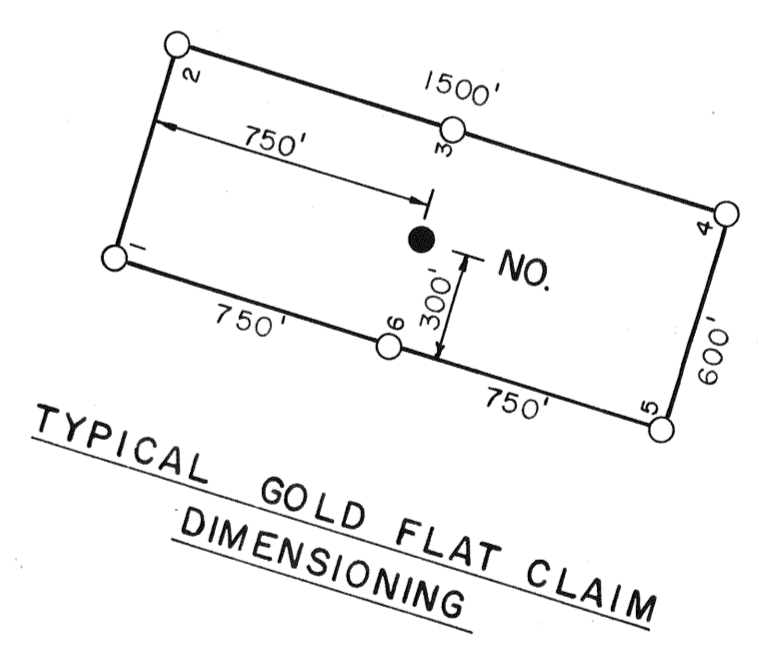
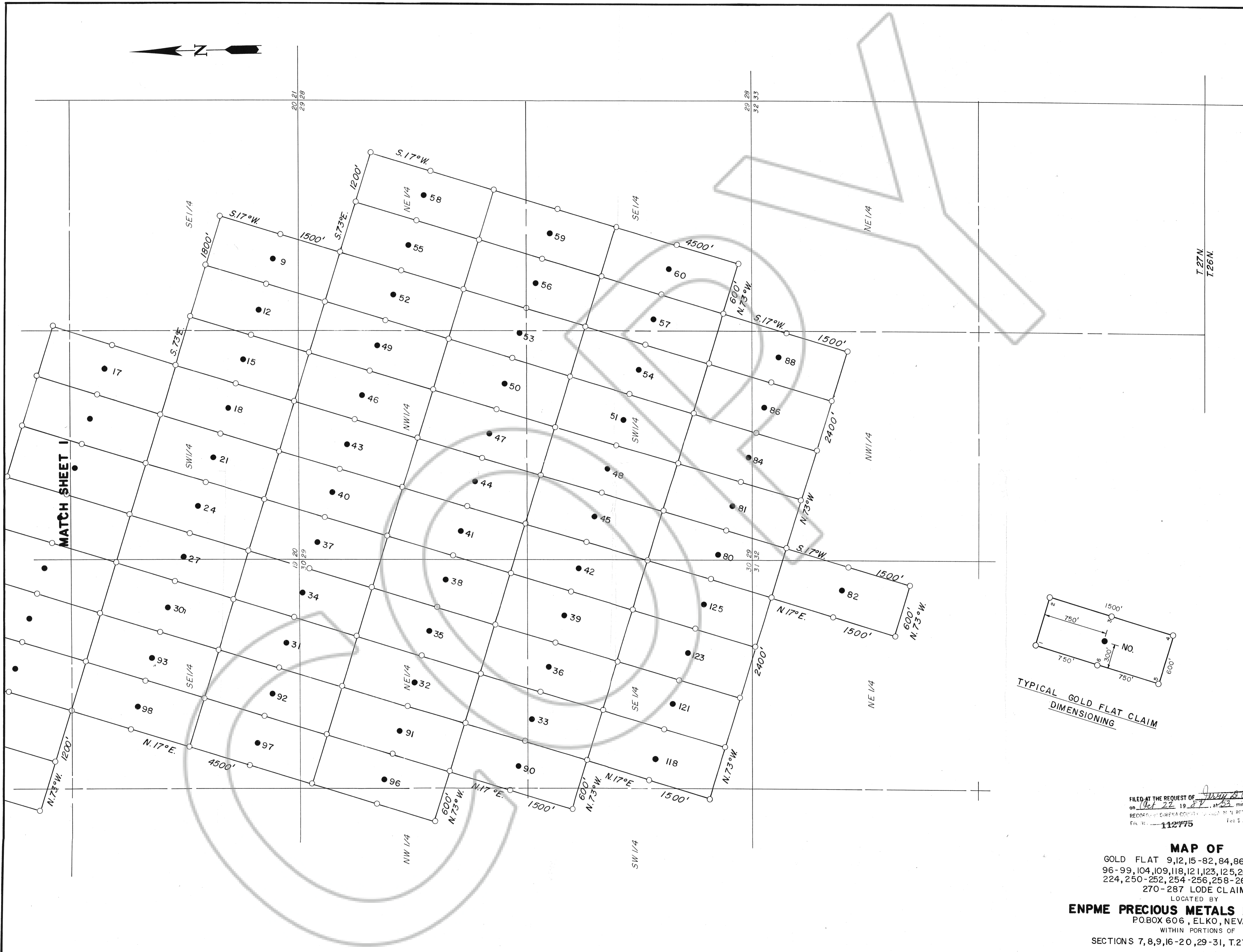
**LEGEND**  
 ○ Claim post - 3" dia. x 5'-0" PVC pipe.  
 ● Location monument - 3" dia x 5'-0" PVC pipe w/notice attached.  
 ◇ Fd. section corner, brass cap

**BASIS OF BEARINGS:** MAGNETIC (Declination 17° East)



**MAP OF**  
 GOLD FLAT 9,12,15-82,84,86,88,90-94,  
 96-99,104,109,118,121,123,125,200-220,223,  
 224,250-252,254-256,258-260,266-268,  
 270-287 LOSE CLAIMS  
 LOCATED BY

FILED AT THE REQUEST OF *Jerry D. Oak*  
 on *Oct 22* 1987, at *5:33* mins. past *12*  
 RECORDS OF EUREKA COUNTY, NEVADA M. N. REBALEATI, Recorder  
 File No. *112775* Fee \$ *2115.00*  
**ENPME PRECIOUS METALS EXPLORATION**  
 PO BOX 606, ELKO, NEVADA, 89801  
 WITHIN PORTIONS OF  
 SECTIONS 7,8,9,16-20,29-31, T.27N., R.50E., M.D.M.



FILED AT THE REQUEST OF Enpme Precious Metals Exploration  
 on Oct 22 19 87 at 53 mins. past 10 P.M.  
 RECORDS OF CLERK OF COUNTY OF ELKO, NEVADA  
 Fee \$ 2115.00  
 112775

**MAP OF**  
 GOLD FLAT 9,12,15-82,84,86,88,90-94,  
 96-99,104,109,118,121,123,125,200-220,223,  
 224,250-252,254-256,258-260,266-268,  
 270-287 LODE CLAIMS  
 LOCATED BY  
**ENPME PRECIOUS METALS EXPLORATION**  
 P.O. BOX 606, ELKO, NEVADA, 89801  
 WITHIN PORTIONS OF  
 SECTIONS 7,8,9,16-20,29-31, T.27N, R.50E, M.D.M.