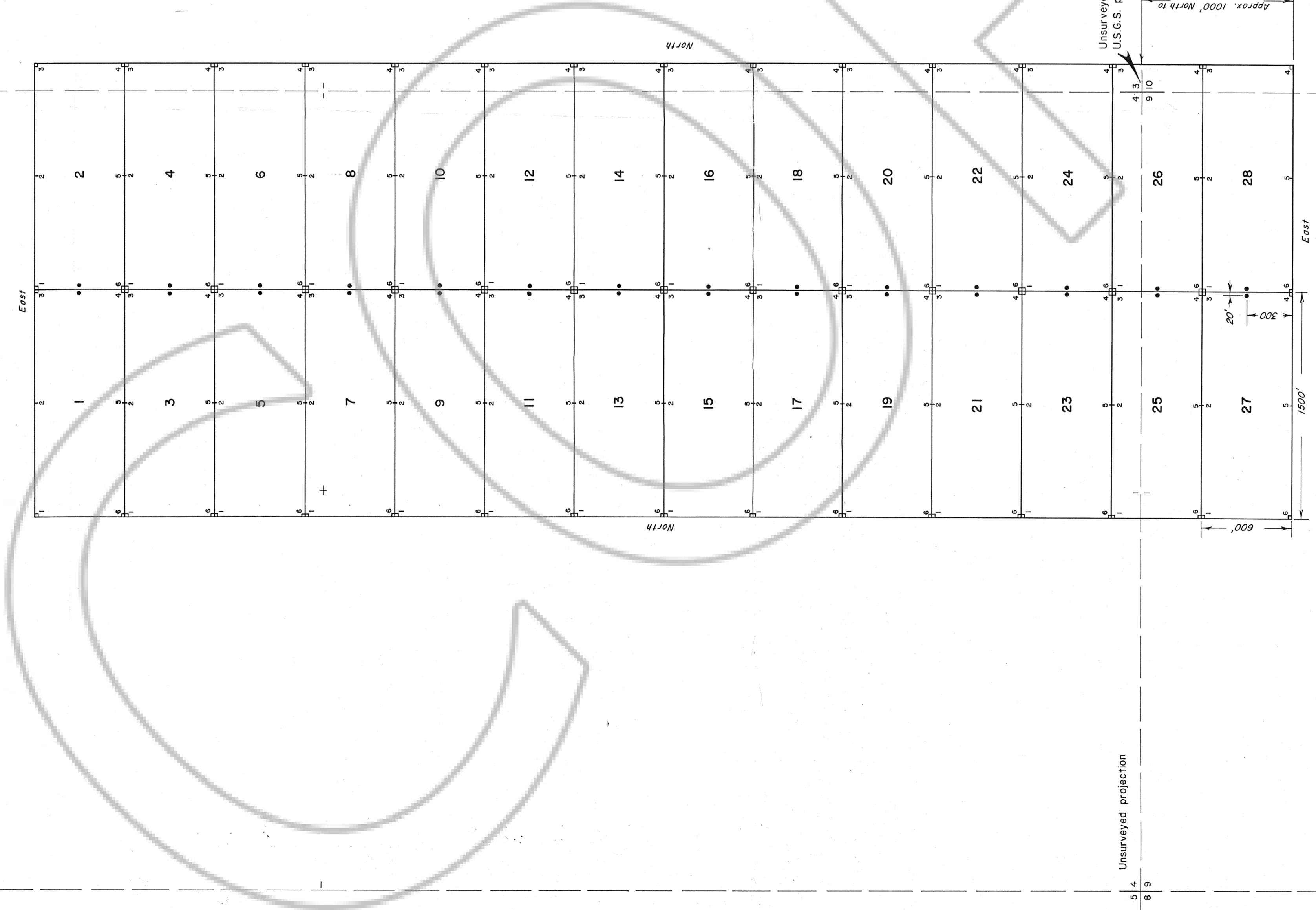


5 4 Unsurveyed projection 4 3 Unsurveyed projection From U.S.G.S. 3 2 3 4



T. 23 N.

R. 51 E.

NOTE:
Dimensions of claim FZ-27 are
typical for entire claim block.

- EXPLANATION -

- Claim corner
- Side center post
- Discovery monument

Scale: 1"=500'
500 0 500 Ft.

FILED AT THE REQUEST OF U.S. Borax
of Alto, 19 87, at mins. post M.
RECORDS OF EUREKA COUNTY, NEVADA. M. N. REBALEATI, Recorder
File No. 313650 Fee \$ 22.00

U.S. BORAX NORTHWEST EXPLORATION
5603 EAST THIRD AVE., SPOKANE, WASHINGTON 99212

FZ CLAIM GROUP
EUREKA COUNTY, NEVADA

Oct. 16, 1987