

T. 23 N.
T. 22 N.

R. 50 E.

33 34
4 3

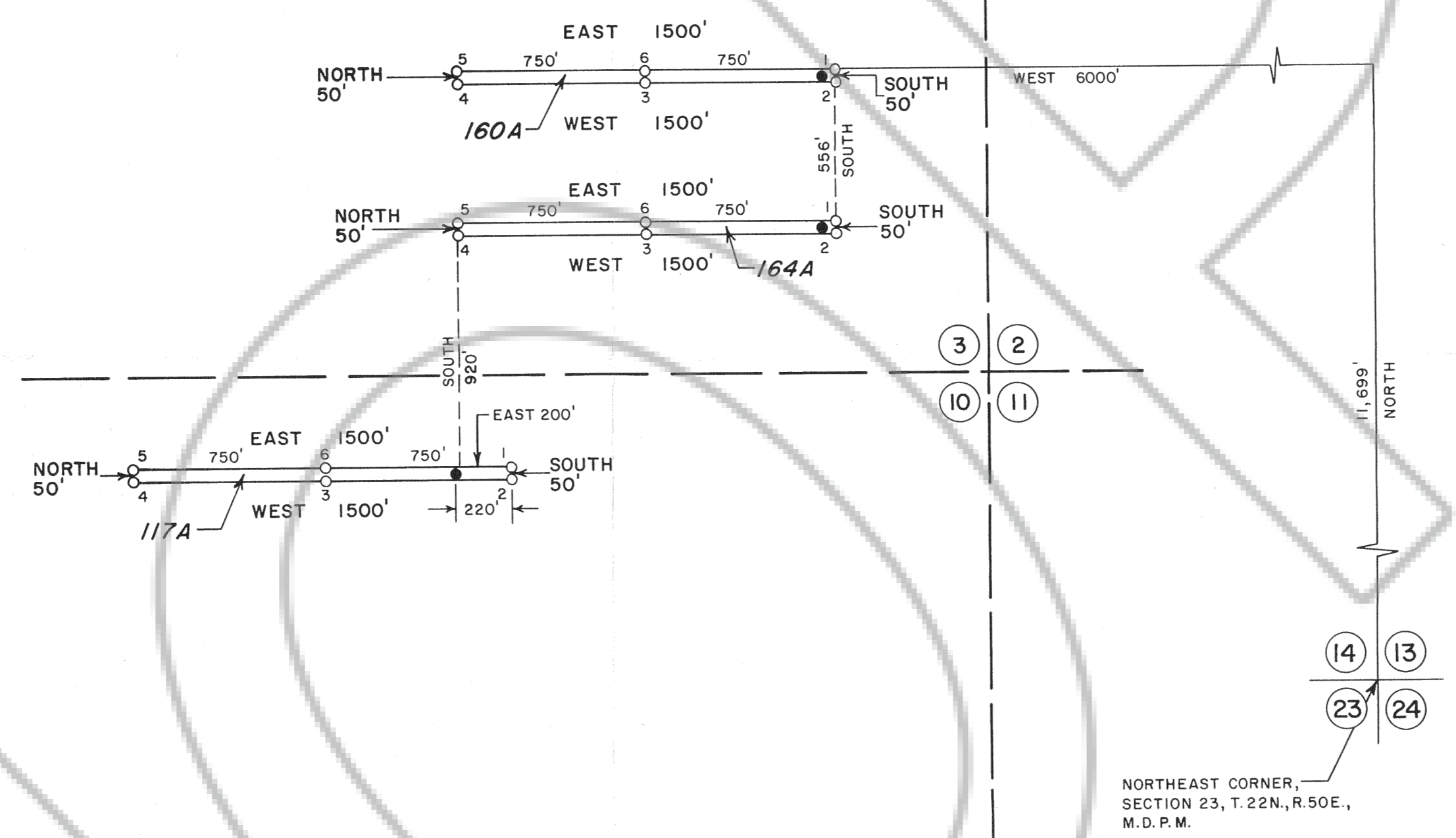
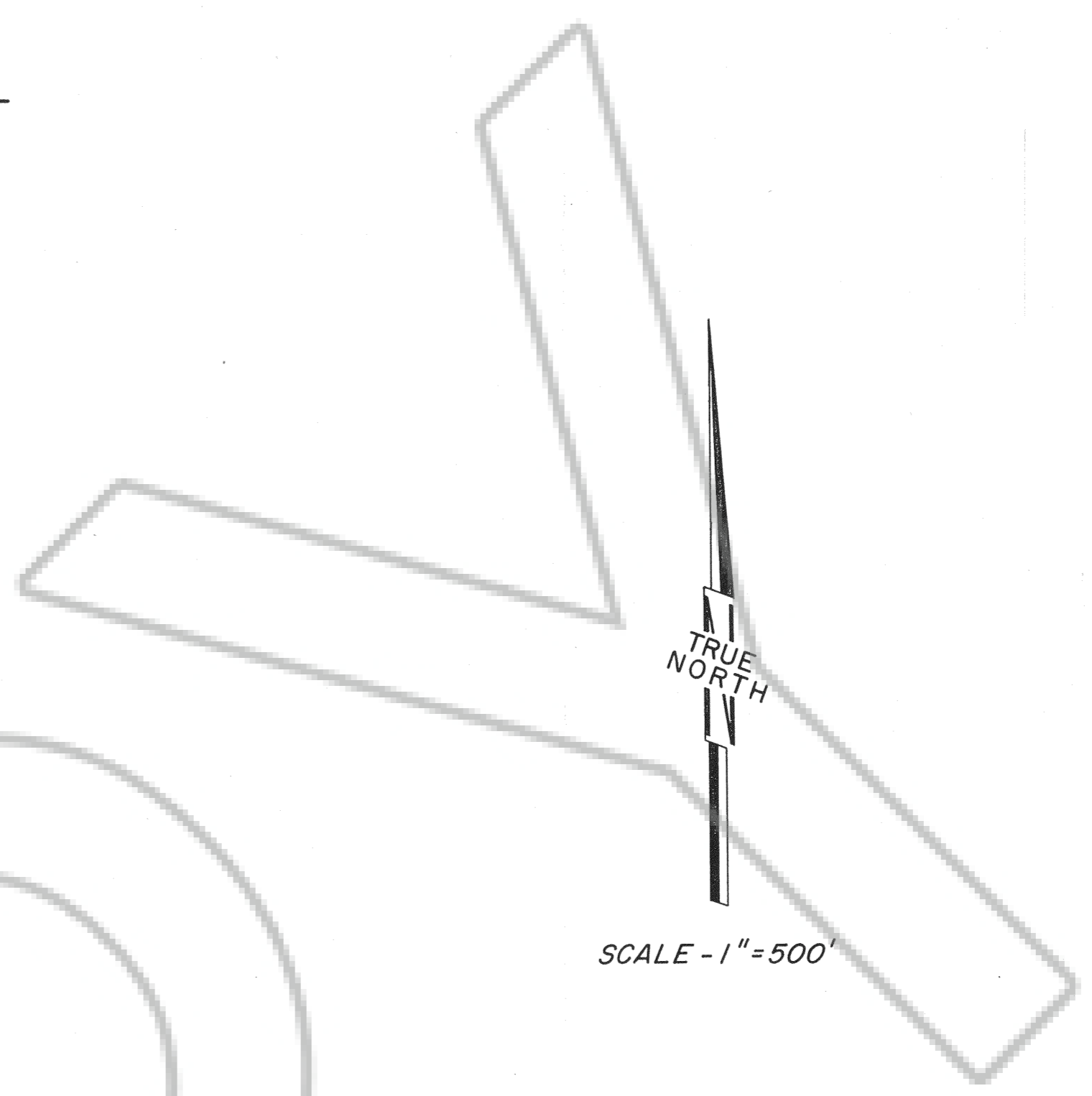
34 35
3 2

4 3
9 10

3 2
10 11

9 10
16 15

10 11
15 14



NOTES

- 1) LOCATION MONUMENTS ARE 10' FROM END LINE OF CLAIM UNLESS OTHERWISE SHOWN.
- 2) SECTION LINES ARE PROJECTED

LEGEND

- - 3" DIAMETER DURABLE PLASTIC PIPE LOCATION MONUMENT 4' LONG
- - 3" DIAMETER DURABLE PLASTIC PIPE MONUMENT 4' LONG
- ⊕ INDICATES SECTION CORNER

LOCATION DATES

OCTOBER 29, 1987 - 117A, 160A, 164A

NORTHEAST CORNER
SECTION 23, T. 22 N., R. 50 E.,
M.D.P.M.

FILED AT THE REQUEST OF *Apex Surveying, Inc.*
ON *Dec 7* 19 *87* at *16* mins, *24* sec. W.
RECORDS OF EUREKA COUNTY, NEVADA M. N. REBALEATI, Recorder
File No. **114896** Fee \$ *45.00*

MAP OF THE
WI LODGE MINING CLAIMS
EUREKA COUNTY, NEVADA

LOCATED BY: TERRY ZENK
AGENT FOR
ATLAS PRECIOUS METALS INC.
P.O. BOX 1207
MOAB, UTAH 84532
NOVEMBER 30, 1987

APEX SURVEYING INC. RIVERTON, WYOMING

114896