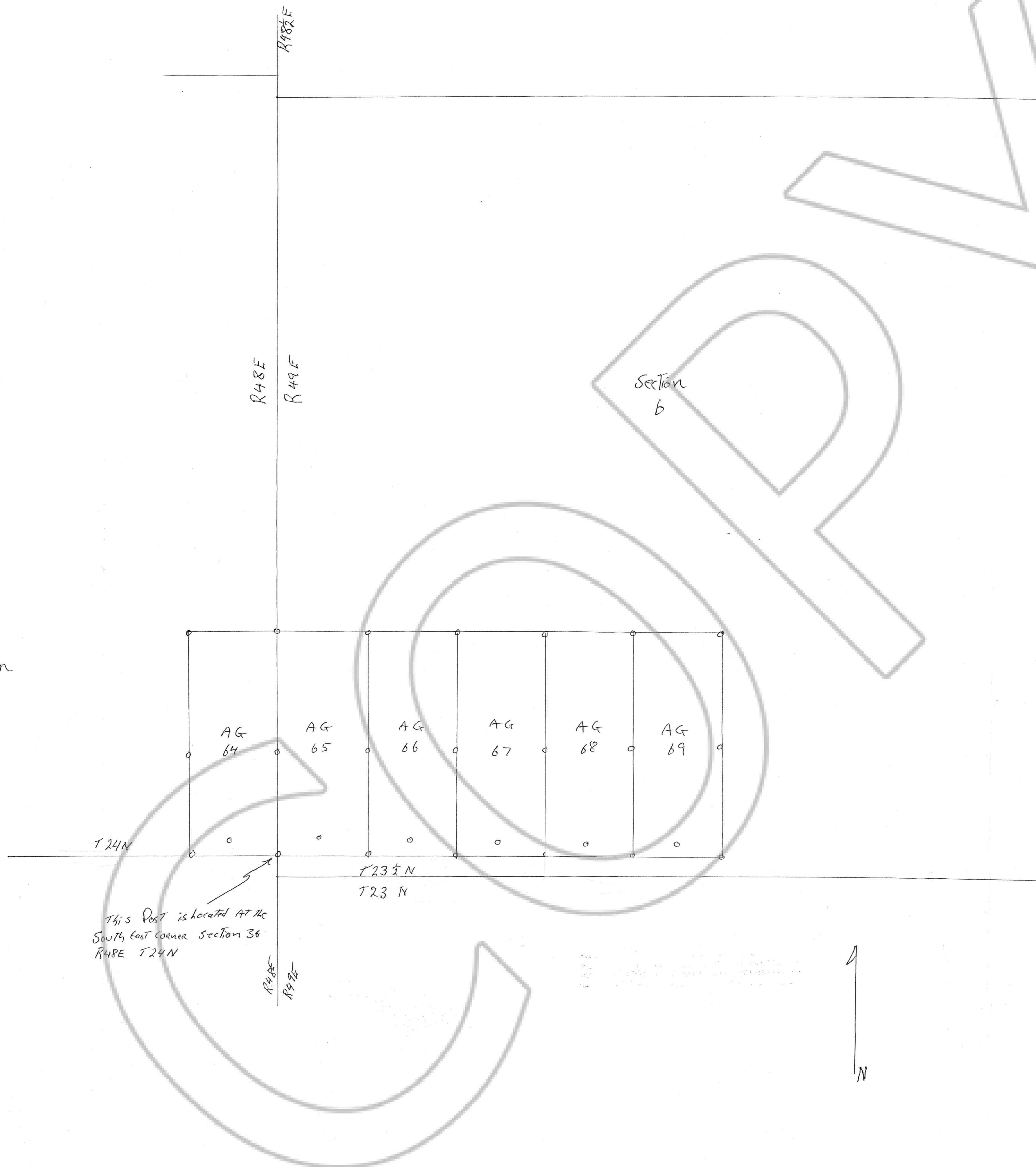


Section 36



This Post is located at the  
 South East corner Section 36  
 R48E T24N

FILED AT THE REQUEST OF *Phillip J. Ormrod*  
 on Aug 2 1988 at 5:33 mins, Post 911 M.  
 RECORDS EUREKA COUNTY, NEVADA AL H. REBALEATI, Recorder  
 File No. 120681 Fee \$ 90.00

AG 64-69 Lode Mining claims  
 Eureka County Nevada  
 T 23 1/2 N R 48 + 49 E  
 Sections 6 + 36  
 Herald T. Galloway & P.S. Johnston, Locators  
 P.O. Box 154  
 Ely, Nevada 89301  
 August 1, 1988