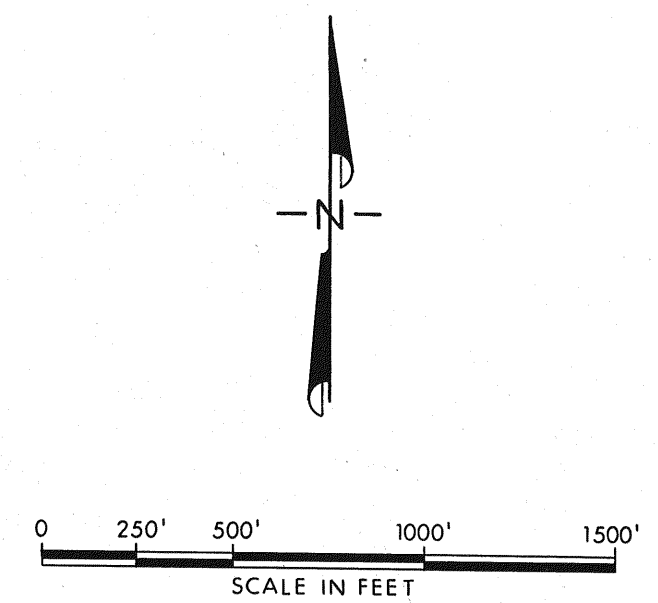


- EXPLANATION**
- CLAIM CORNER - 3" x 5' LONG P.V.C. POST MARKED WITH 3" x 4" ALUMINUM TAG.
 - DISCOVERY MONUMENT - 3" x 5' LONG P.V.C. POST LOCATED 20' WITHIN CLAIM BOUNDARY AND MARKED WITH 3" x 4" ALUMINUM TAG.
- WEST 5400.0' MEASURED BEARING AND DISTANCE.
- SECTION LINE - APPROXIMATE LOCATION.
- ⊕ FOUND SECTION CORNER.

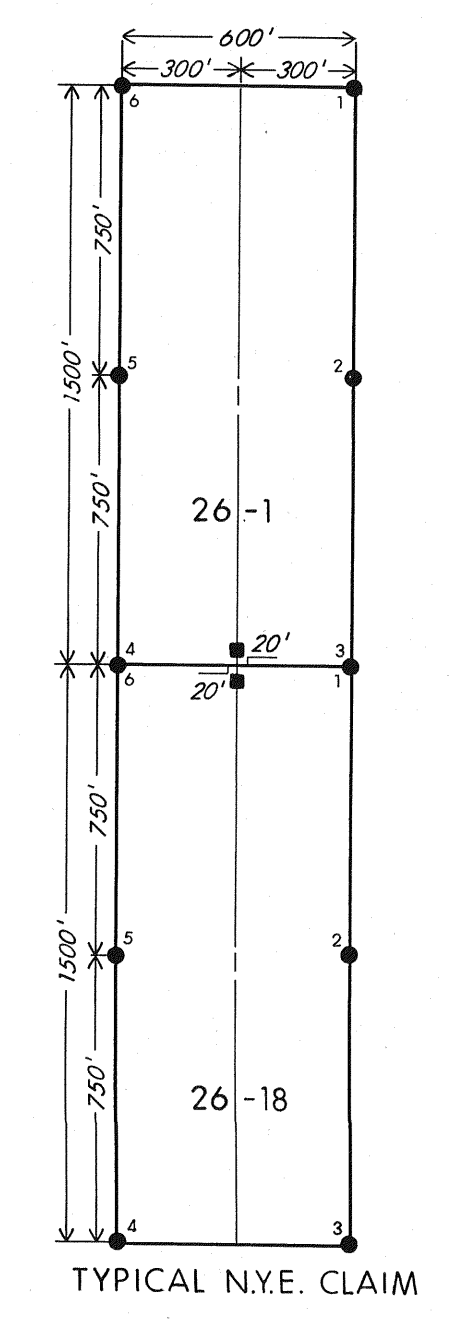
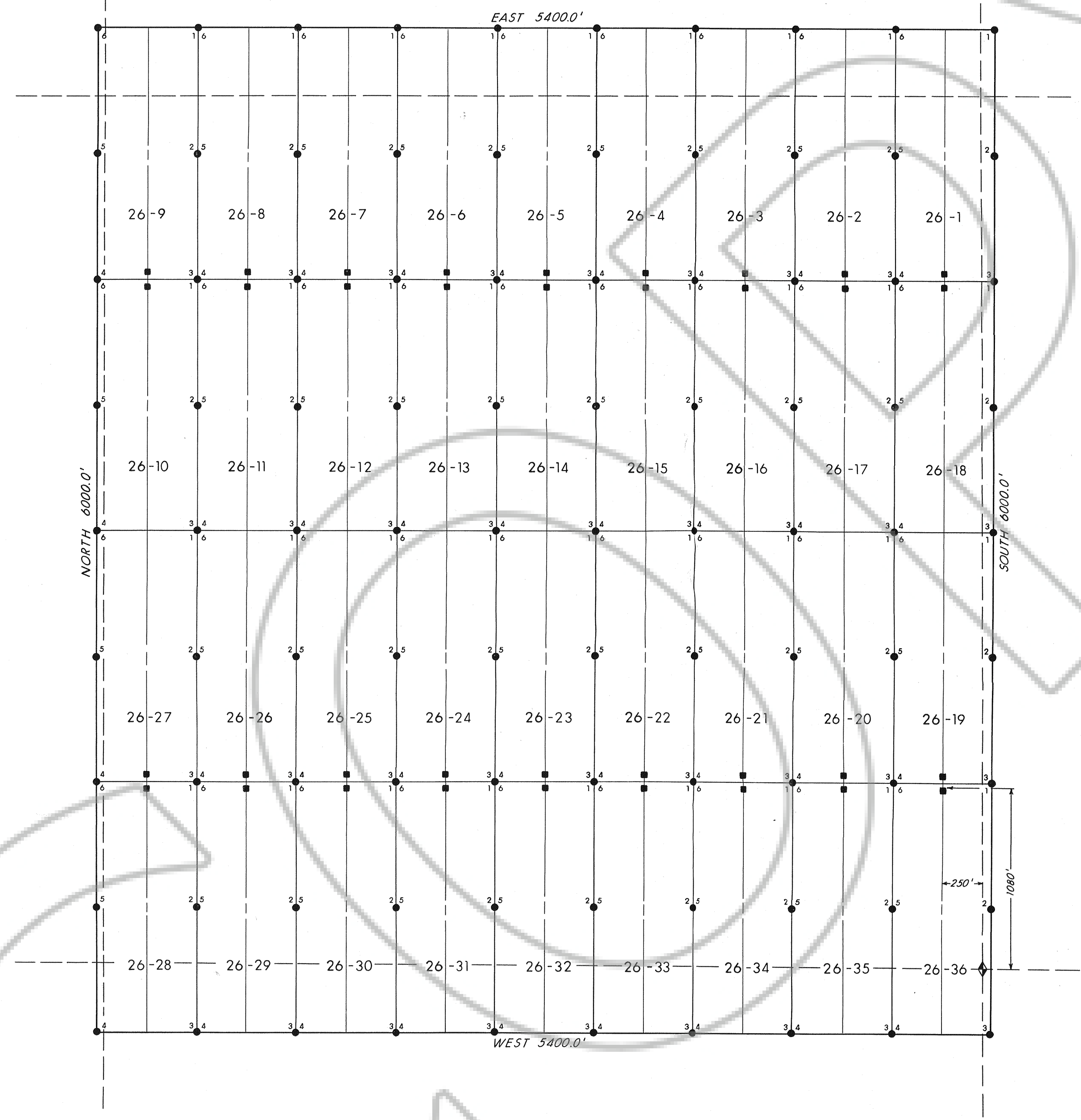


FILED AT THE REQUEST OF Coral Resources
 on Dec 19 1988, at 6 mins, past 12 M.
 RECORDS OF EUREKA COUNTY, NEVADA M.N. REBALEATI, Recorder
 File No. 125472 Fee \$ 340.00

CORAL RESOURCES INC.

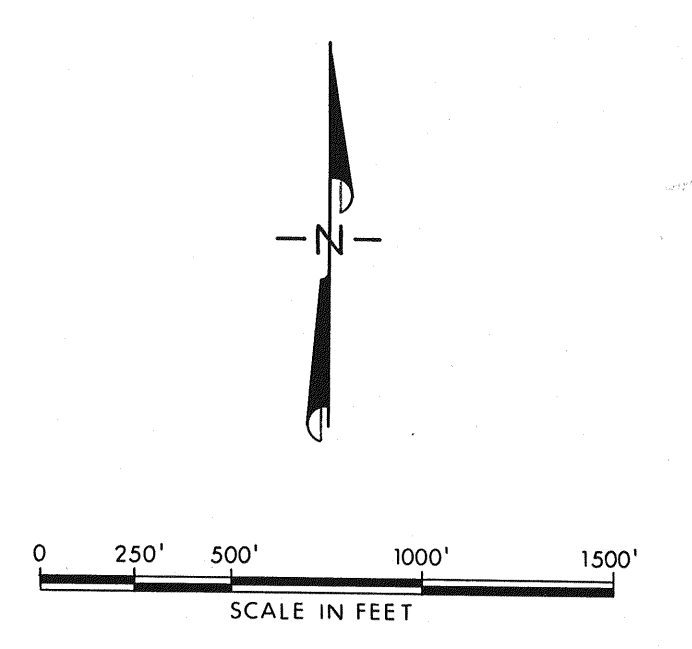
LOCATION MAP
 — OF THE —
 N.Y.E. Nos. 28-1-36 LODE CLAIMS
 Section 28, T.29 N., R.51 E. M.D.M.
 EUREKA COUNTY - NEVADA

U.M. EXPLORATION INC.
 1336 SUMMIT STREET EVANSTON - WYOMING 82930
 (307) 789-5135 (801) 295-2607



EXPLANATION

- CLAIM CORNER - 3" x 5' LONG P.V.C. POST MARKED WITH 3" x 5" ALUMINUM TAG.
- DISCOVERY MONUMENT - 3" x 5' LONG P.V.C. POST LOCATED 20' WITHIN CLAIM BOUNDARY AND MARKED WITH 3" x 4" ALUMINUM TAG.
- WEST 5400.0' MEASURED BEARING AND DISTANCE.
- SECTION LINE - APPROXIMATE LOCATION.
- ✦ FOUND SECTION CORNER.

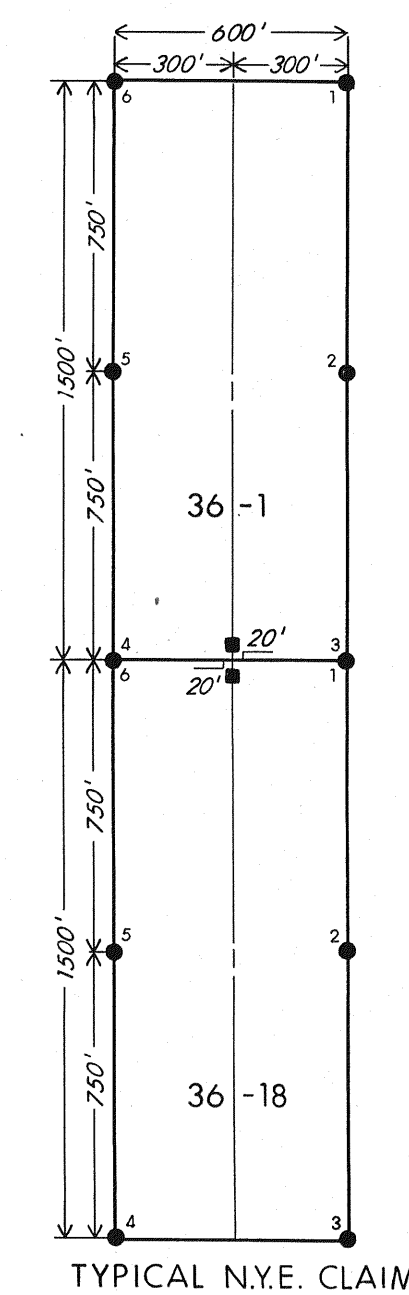
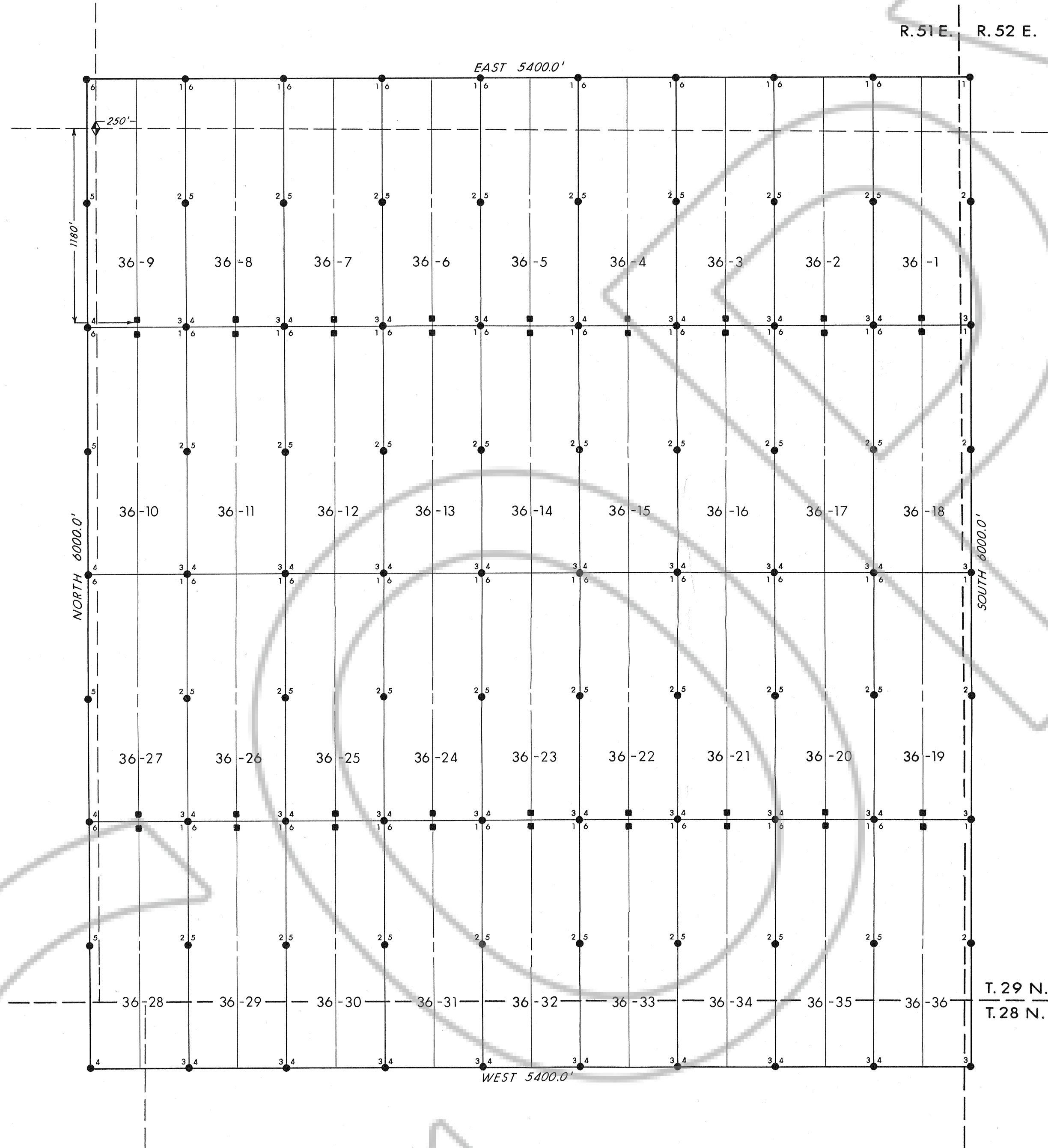


FILED AT THE REQUEST OF *Coral Resources*
 on Dec 7 19 58, at 8 mins. past 2 P.M.
 RECORDS OF EUREKA COUNTY, NEVADA M. N. REBALEATI, Recorder
 File No. 125472 Fee \$ 5.00

CORAL RESOURCES INC.

LOCATION MAP
 — OF THE —
N.Y.E. Nos. 26-1-36 LODE CLAIMS
 Section 26, T.29 N., R.51 E. M.D.M.
 EUREKA COUNTY - NEVADA

U.M. EXPLORATION INC.
 1336 SUMMIT STREET EVANSTON - WYOMING 82930
 (307) 789-5135 (801) 295-2607



TYPICAL N.Y.E. CLAIM

EXPLANATION

- CLAIM CORNER - 3" x 5' LONG P.V.C. POST MARKED WITH 3" x 4" ALUMINUM TAG.
- DISCOVERY MONUMENT - 3" x 5' LONG P.V.C. POST LOCATED 20' WITHIN CLAIM BOUNDARY AND MARKED WITH 3" x 4" ALUMINUM TAG.
- WEST 5400.0' MEASURED BEARING AND DISTANCE
- TOWNSHIP AND RANGE LINE - APPROXIMATE LOCATION
- - - SECTION LINE - APPROXIMATE LOCATION.
- ✦ FOUND SECTION CORNER

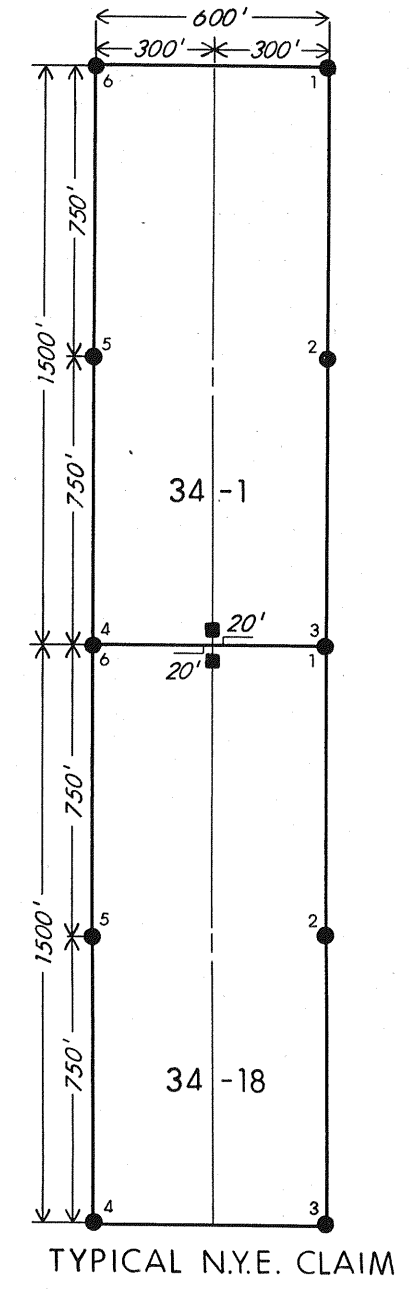
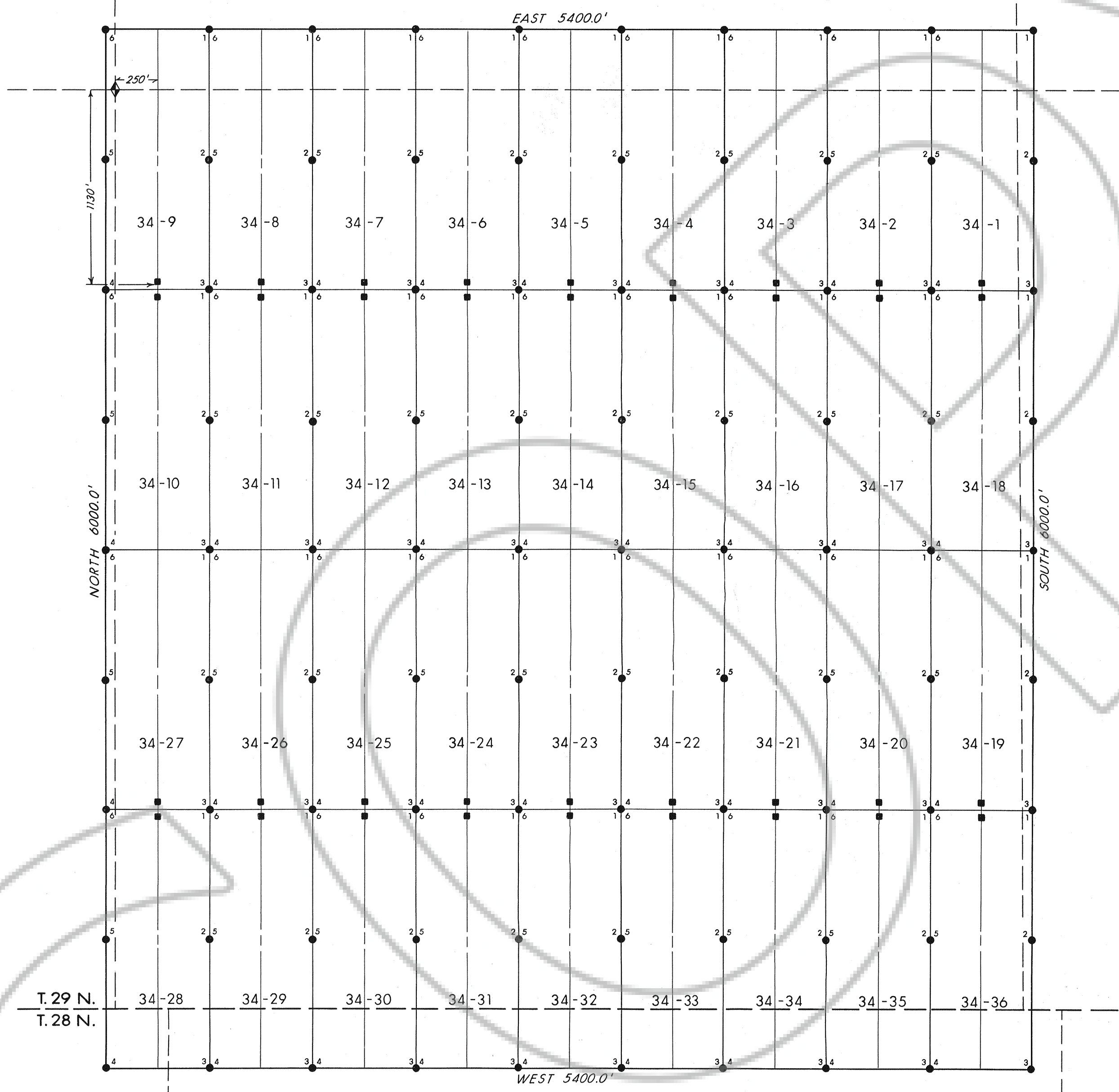


FILED AT THE REQUEST OF *Coral Resources Inc.*
 on *Dec 2* 19 *88* at *8* mins. past *30* M.
 RECORDS OF EUREKA COUNTY, NEVADA M. N. REBELETTI, Recorder
 File No. *125472* Fee \$ *540.00*

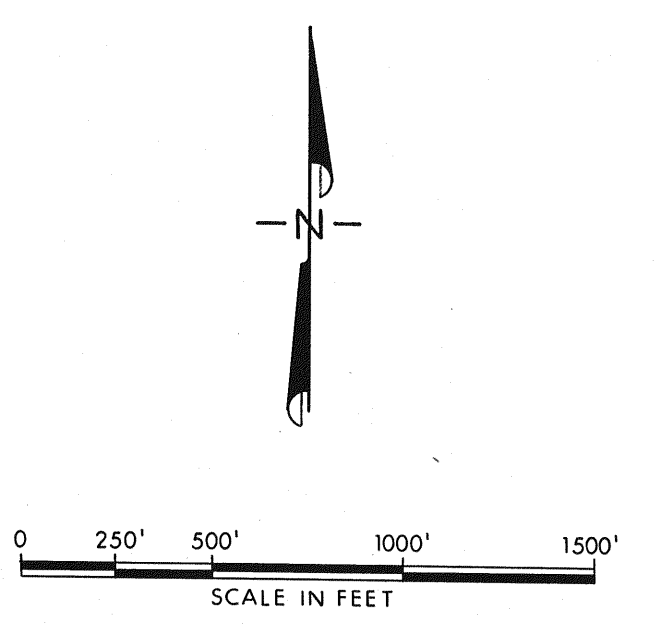
CORAL RESOURCES INC.

LOCATION MAP
 — OF THE —
 N.Y.E. Nos. 36-1-36 LODE CLAIMS
 Section 36, T.29N., R.51 E. M.D.M.
 EUREKA COUNTY · NEVADA

U.M. EXPLORATION INC.
 1336 SUMMIT STREET · EVANSTON · WYOMING 82930
 (307) 789-5135 (801) 295-2607



- EXPLANATION**
- CLAIM CORNER - 3" x 5' LONG P.V.C. POST MARKED WITH 3" x 4" ALUMINUM TAG.
 - DISCOVERY MONUMENT - 3" x 5' LONG P.V.C. POST LOCATED 20' WITHIN CLAIM BOUNDARY AND MARKED WITH 3" x 4" ALUMINUM TAG.
 - WEST 5400.0' MEASURED BEARING AND DISTANCE.
 - TOWNSHIP LINE - APPROXIMATE LOCATION.
 - SECTION LINE - APPROXIMATE LOCATION
 - ✦ FOUND SECTION CORNER.

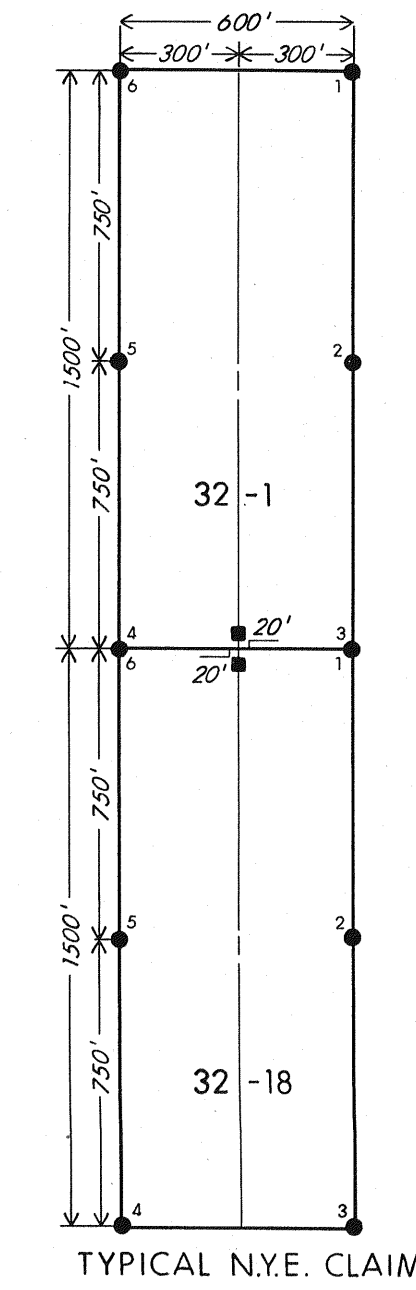
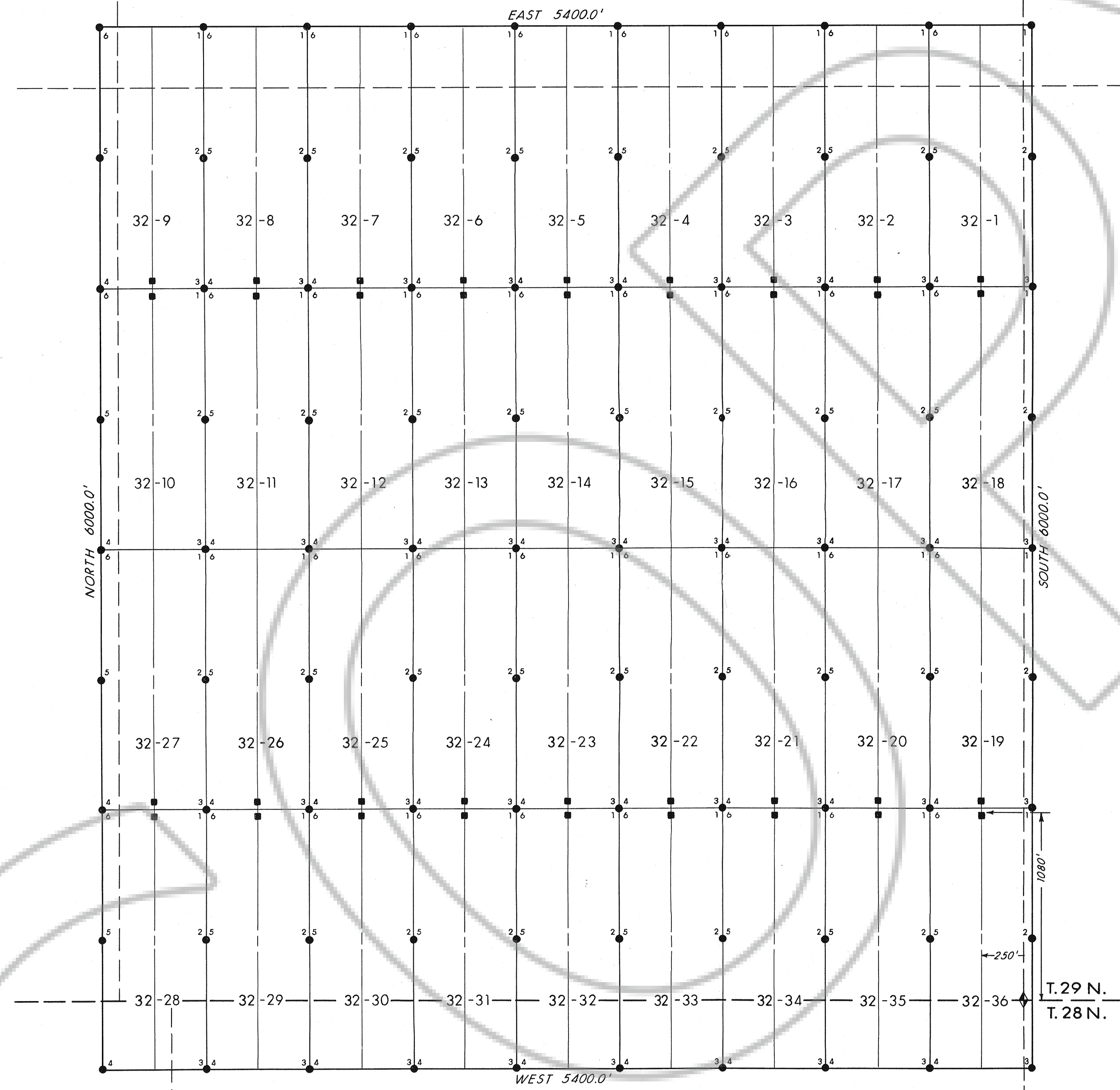


FILED AT THE REQUEST OF *Coral Resources*
 on *Dec 2* 19 *88*, at *8* mins. past *30* M.
 RECORDS OF EUREKA COUNTY, NEVADA M. N. REBALEATI, Recorder
 File No. 125472 Fee \$ 540.00

CORAL RESOURCES INC.

LOCATION MAP
 OF THE
 N.Y.E. Nos. 34-1-36 LODE CLAIMS
 Section 34, T.29 N., R.51 E. M.D.M.
 EUREKA COUNTY - NEVADA

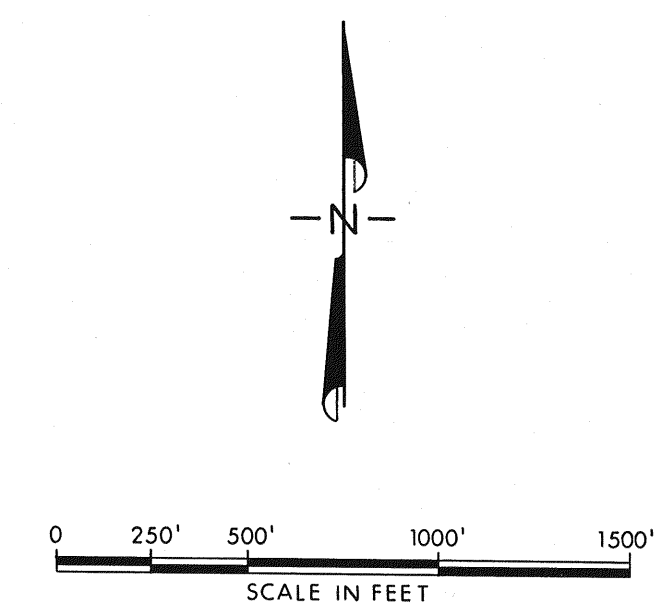
U.M. EXPLORATION INC.
 1336 SUMMIT STREET EVANSTON · WYOMING 82930
 (307) 789-5135 (801) 295-2607



TYPICAL N.Y.E. CLAIM

EXPLANATION

- CLAIM CORNER - 3" x 5' LONG P.V.C. POST MARKED WITH 3" x 4" ALUMINUM TAG.
- DISCOVERY MONUMENT - 3" x 5' LONG P.V.C. POST LOCATED 20' WITHIN CLAIM BOUNDARY AND MARKED WITH 3" x 4" ALUMINUM TAG.
- MEASURED BEARING AND DISTANCE
- - - TOWNSHIP LINE - APPROXIMATE LOCATION
- - - SECTION LINE - APPROXIMATE LOCATION
- ⊕ FOUND SECTION CORNER.

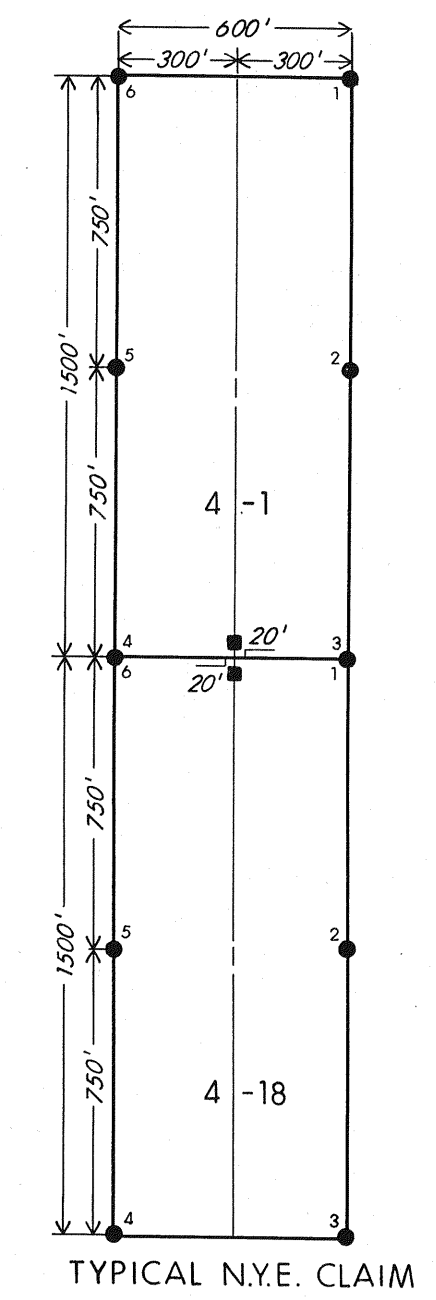
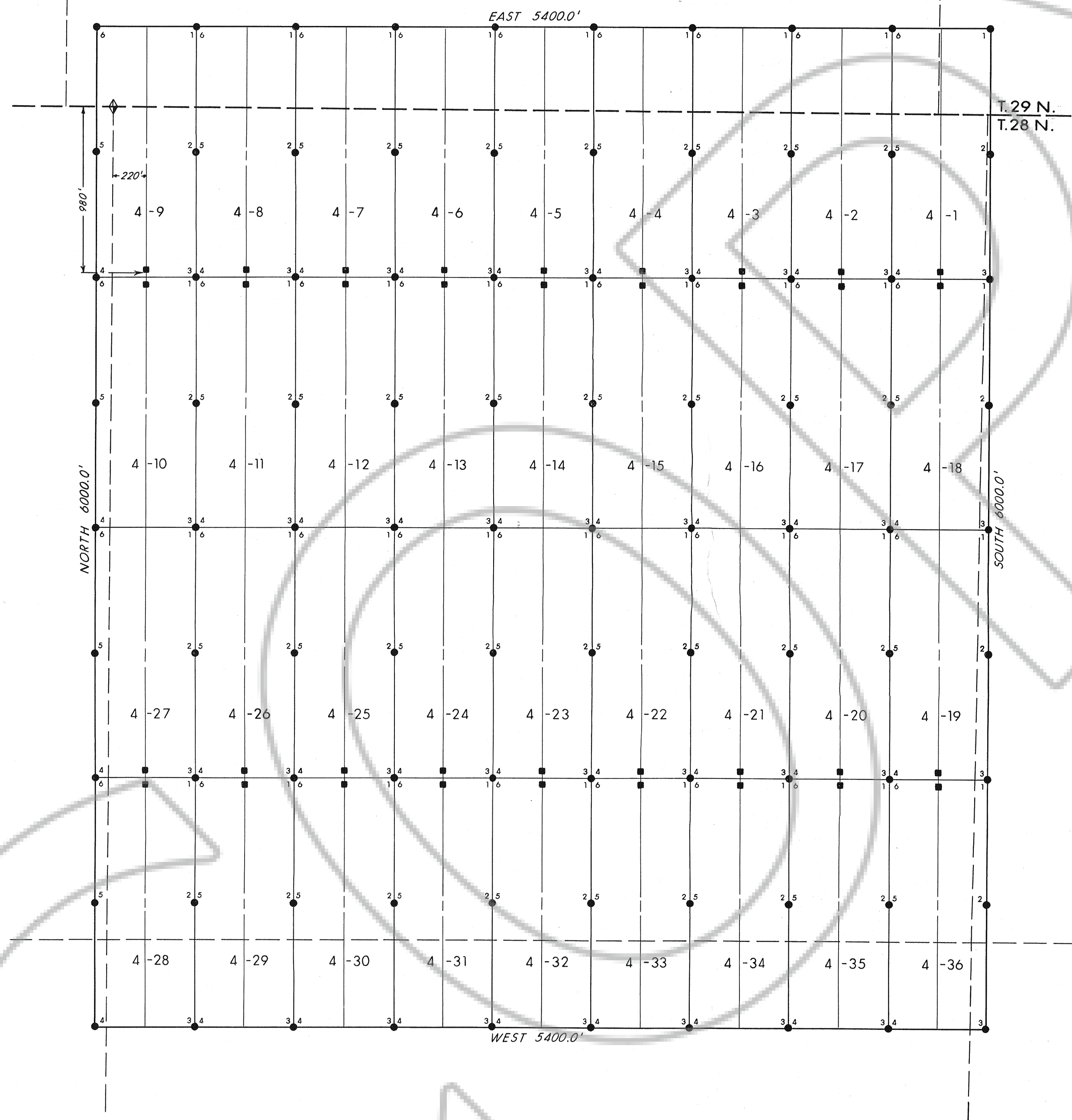


FILED AT THE REQUEST OF Coral Resources
 on Dec 6 1988, at 8 mins. past 3 M.
 RECORDS OF EUREKA COUNTY, NEVADA M. N. REBALEATI, REC. CLERK
 Fee \$ 5400
 125472

CORAL RESOURCES INC.

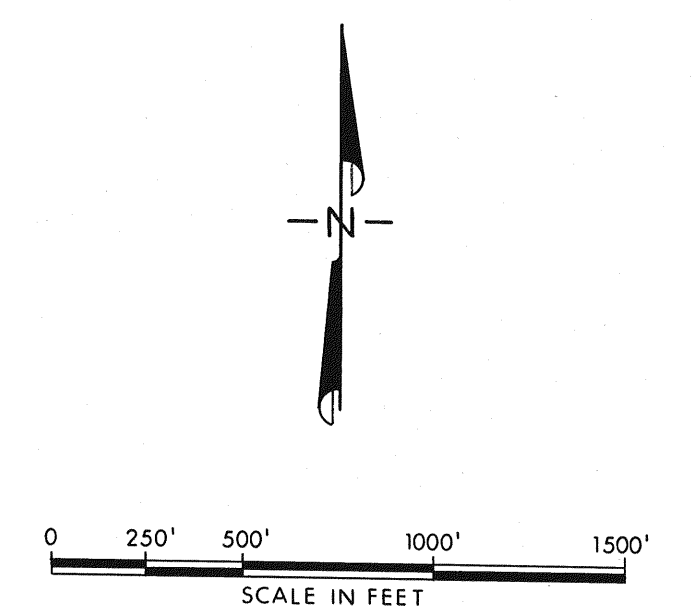
LOCATION MAP
 — OF THE —
 N.Y.E. Nos. 32-1-36 LODE CLAIMS
 Section 32, T.29 N., R.51 E. M.D.M.
 EUREKA COUNTY - NEVADA

U.M. EXPLORATION INC.
 1336 SUMMIT STREET EVANSTON · WYOMING 82930
 (307) 789-5135 (801) 295-2607



EXPLANATION

- CLAIM CORNER - 3" x 5" LONG P.V.C. POST MARKED WITH 3" x 4" ALUMINUM TAG.
 - DISCOVERY MONUMENT - 3" x 5" LONG P.V.C. POST LOCATED 20' WITHIN CLAIM BOUNDARY AND MARKED WITH 3" x 4" ALUMINUM TAG.
- WEST 5400.0' MEASURED BEARING AND DISTANCE.
- TOWNSHIP LINE - APPROXIMATE LOCATION
- SECTION LINE - APPROXIMATE LOCATION
- ✦ FOUND SECTION CORNER.

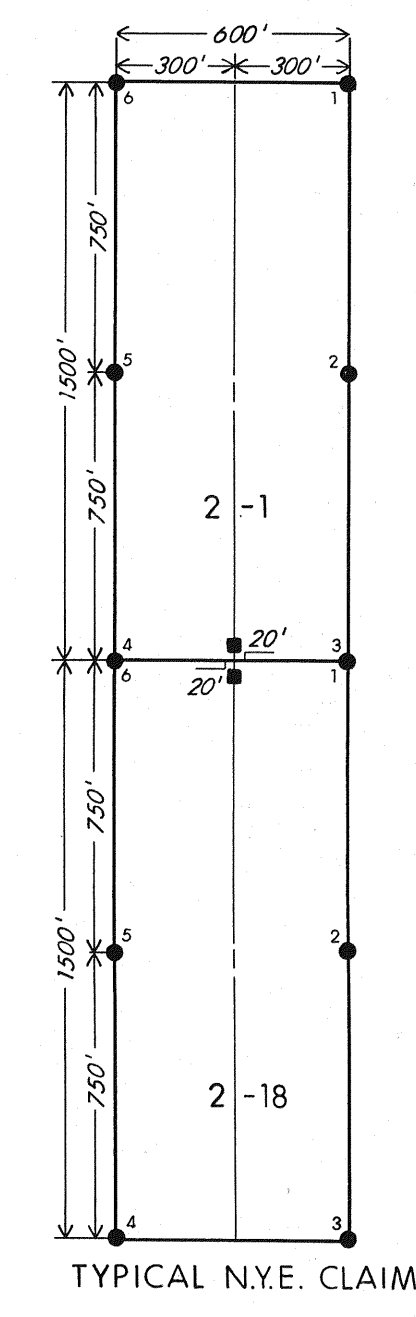
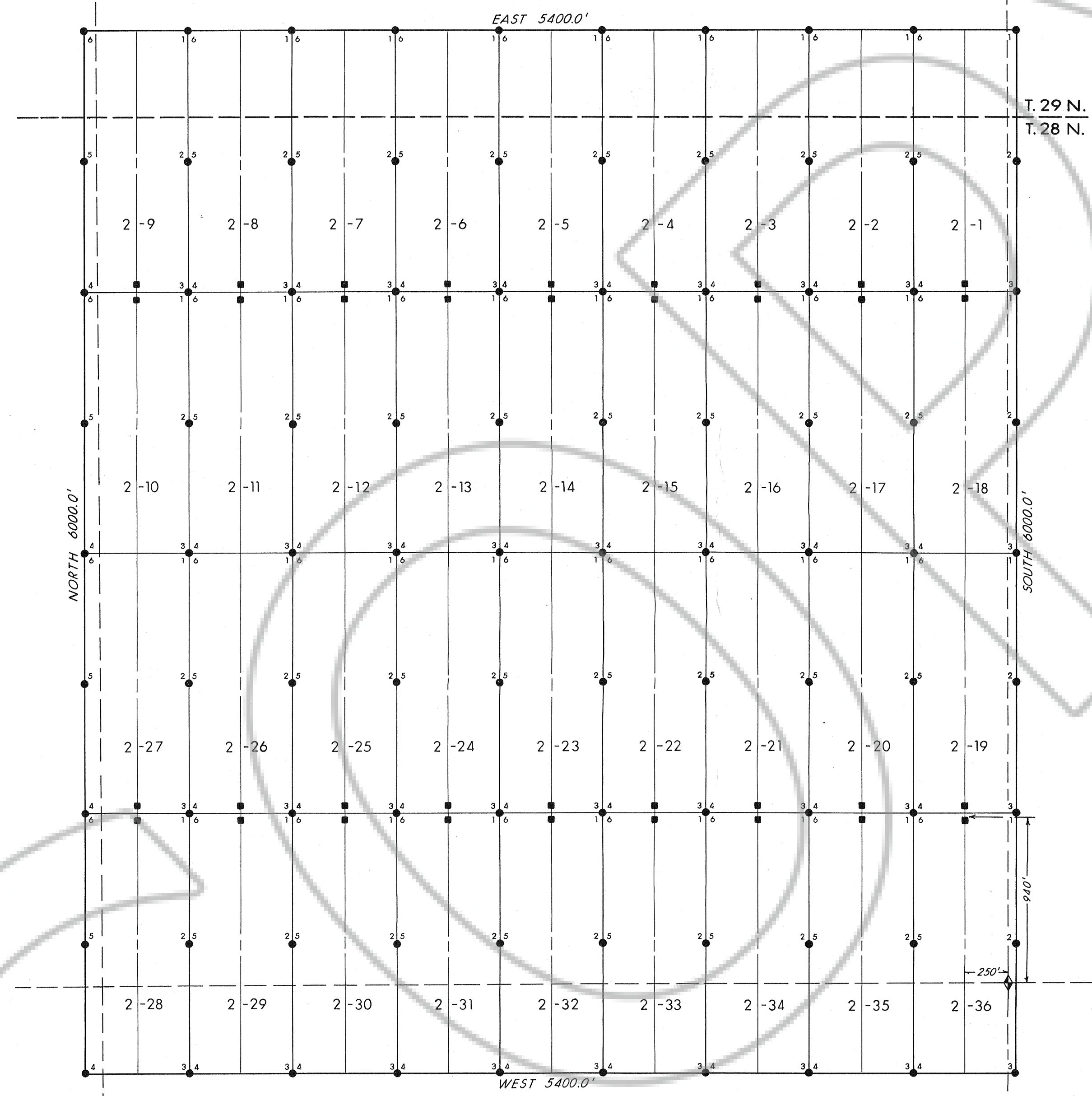


FILED AT THE REQUEST OF *Coral Resources*
 on Dec. 5 19 88, at 8 mins. past 12 M.
 RECORDS OF EUREKA COUNTY, NEVADA M. N. REBALEATI, Recorder
 File No. 125472 Fee \$ Some

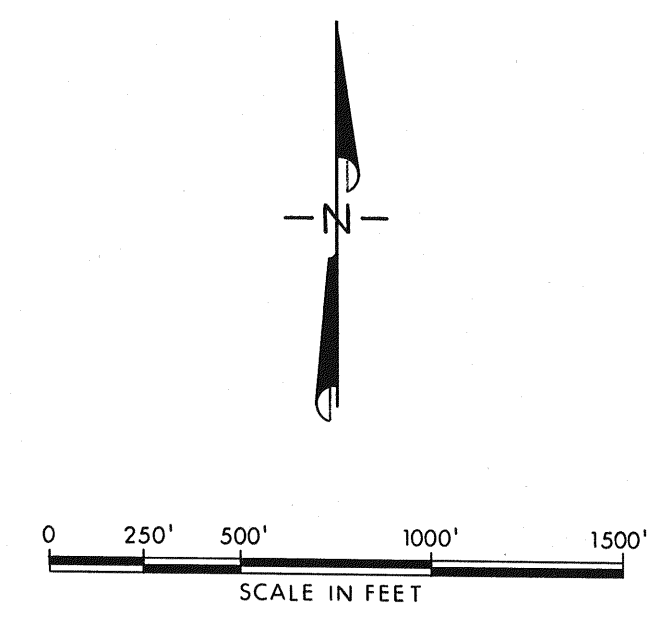
CORAL RESOURCES INC.

LOCATION MAP
 — OF THE —
 N.Y.E. Nos. 4-1-36 LODE CLAIMS
 Section 4, T.28 N., R.51 E. M.D.M.
 EUREKA COUNTY - NEVADA

U.M. EXPLORATION INC.
 1336 SUMMIT STREET EVANSTON · WYOMING 82930
 (307) 789-5135 (801) 295-2607



- EXPLANATION**
- CLAIM CORNER - 3" x 5' LONG P.V.C. POST MARKED WITH 3" x 4" ALUMINUM TAG.
 - DISCOVERY MONUMENT - 3" x 5' LONG P.V.C. POST LOCATED 20' WITHIN CLAIM BOUNDARY AND MARKED WITH 3" x 4" ALUMINUM TAG.
 - MEASURED BEARING AND DISTANCE
 - - - TOWNSHIP LINE - APPROXIMATE LOCATION
 - - - SECTION LINE - APPROXIMATE LOCATION
 - ✦ FOUND SECTION CORNER.

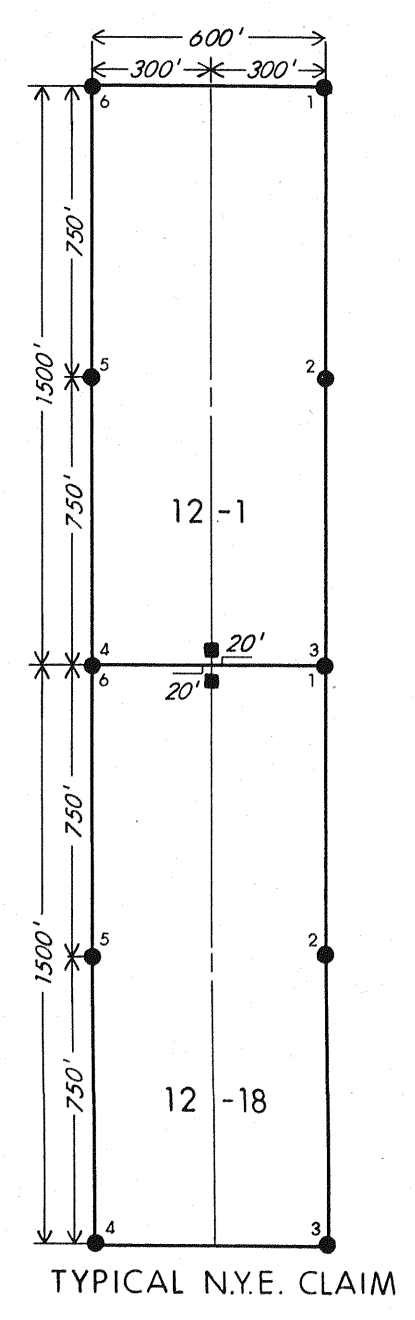
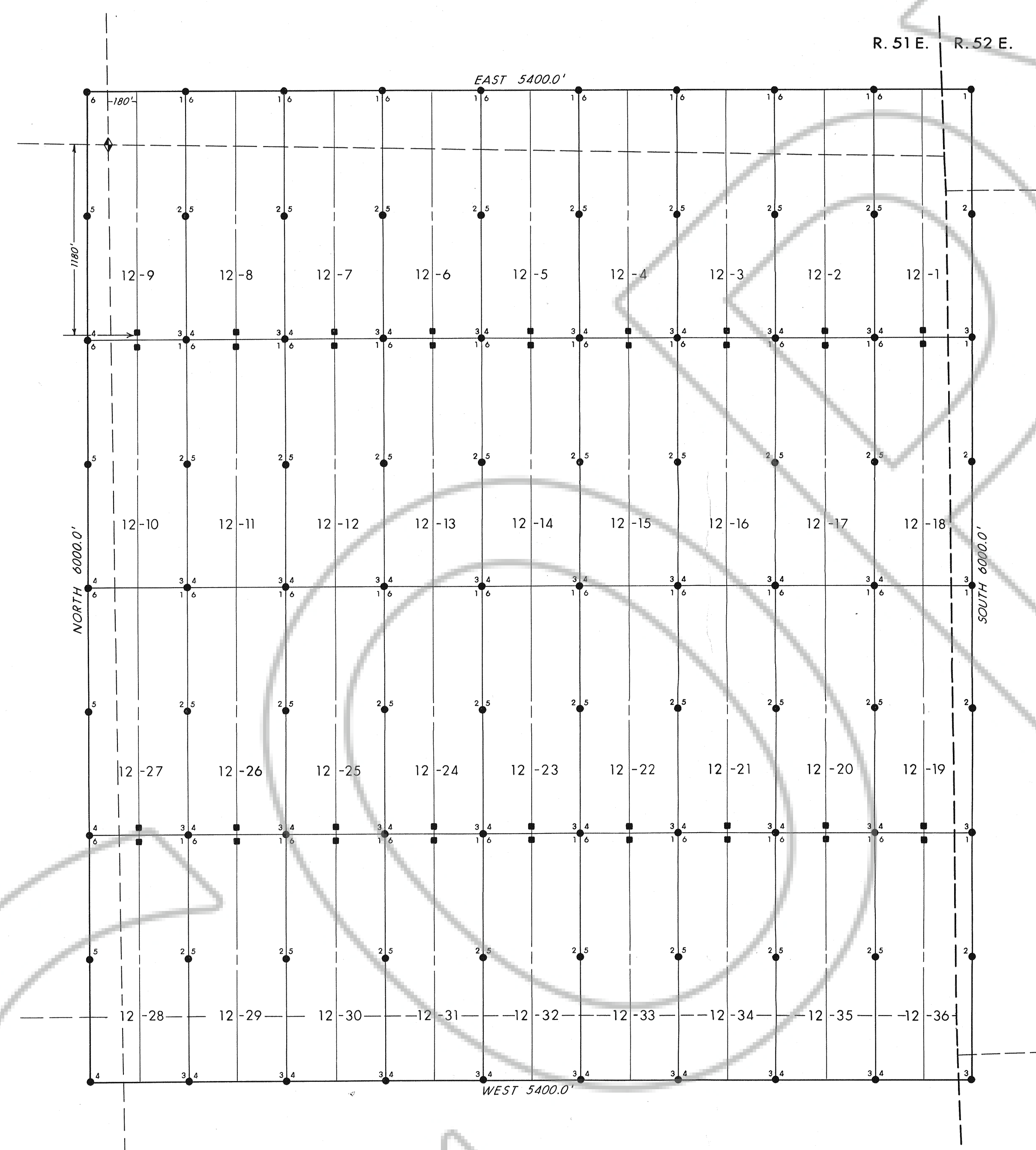


FILED AT THE REQUEST OF *Coral Resources*
 on Dec 5 1988, at 2 mins. past 2 M.
 RECORDS OF EUREKA COUNTY, NEVADA M. N. REBALEATI, Recorder
 File No. 125472 Fee \$ 540.00

CORAL RESOURCES INC.

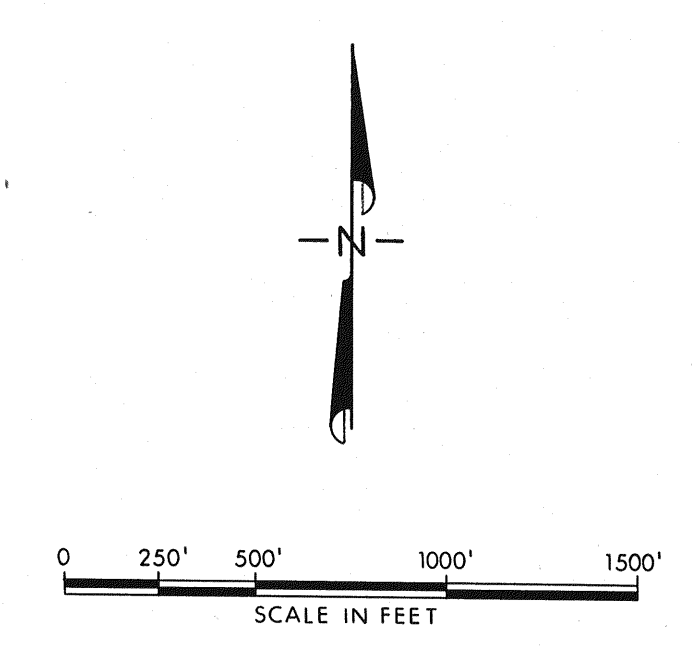
LOCATION MAP
 — OF THE —
 N.Y.E. Nos. 2-1-36 LODE CLAIMS
 Section 2, T.28 N., R.51 E. M.D.M.
 EUREKA COUNTY - NEVADA

U.M. EXPLORATION INC.
 1336 SUMMIT STREET EVANSTON · WYOMING 82930
 (307) 789-5135 (801) 295-2607



EXPLANATION

- CLAIM CORNER - 3" x 5' LONG P.V.C. POST MARKED WITH 3" x 4" ALUMINUM TAG.
- DISCOVERY MONUMENT - 3" x 5' LONG P.V.C. POST LOCATED 20' WITHIN CLAIM BOUNDARY AND MARKED WITH 3" x 4" ALUMINUM TAG.
- WEST 5400.0' MEASURED BEARING AND DISTANCE.
- SECTION LINE - APPROXIMATE LOCATION.
- RANGE LINE - APPROXIMATE LOCATION.
- ◆ FOUND SECTION CORNER

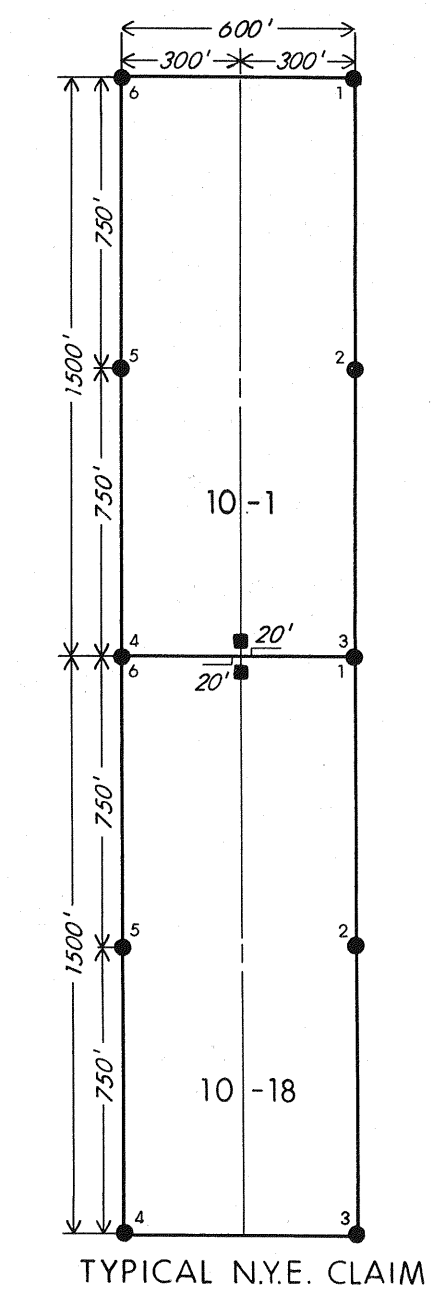
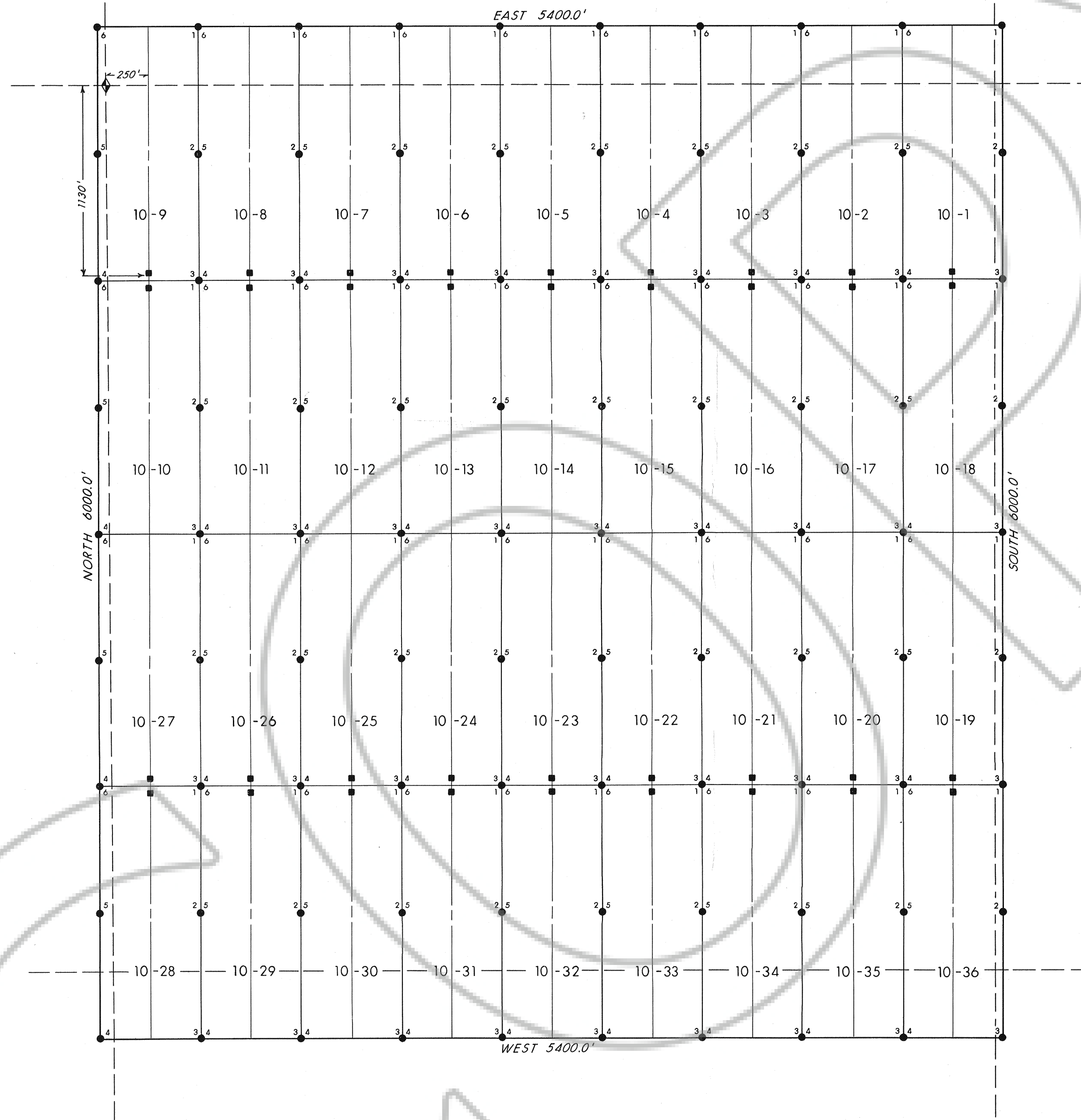


FILED AT THE REQUEST OF *Coral Resources*
 on Dec 7 19 88, at 8 mins, past 3 P.M.
 RECORDS OF EUREKA COUNTY, NEVADA M. N. REBALEATI, Recorder
 File No. 125472 Fee \$ 340.00

CORAL RESOURCES INC.

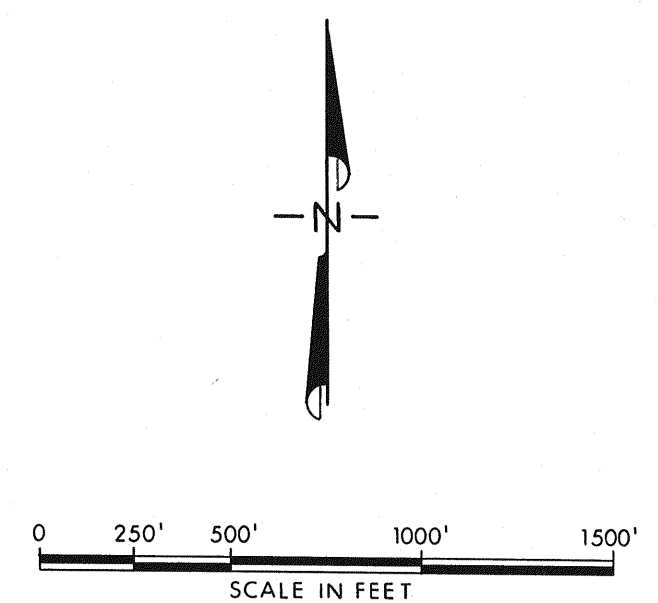
LOCATION MAP
 — OF THE —
 N.Y.E. Nos. 12-1-36 LODE CLAIMS
 Section 12, T.28 N., R.51 E. M.D.M.
 EUREKA COUNTY - NEVADA

U.M. EXPLORATION INC.
 1336 SUMMIT STREET EVANSTON WYOMING 82930
 (307) 789-5135 (801) 295-2607



EXPLANATION

- CLAIM CORNER - 3" x 5' LONG P.V.C. POST MARKED WITH 3" x 4" ALUMINUM TAG.
- DISCOVERY MONUMENT - 3" x 5' LONG P.V.C. POST LOCATED 20' WITHIN CLAIM BOUNDARY AND MARKED WITH 3" x 4" ALUMINUM TAG.
- MEASURED BEARING AND DISTANCE
- - - SECTION LINE - APPROXIMATE LOCATION
- ✦ FOUND SECTION CORNER

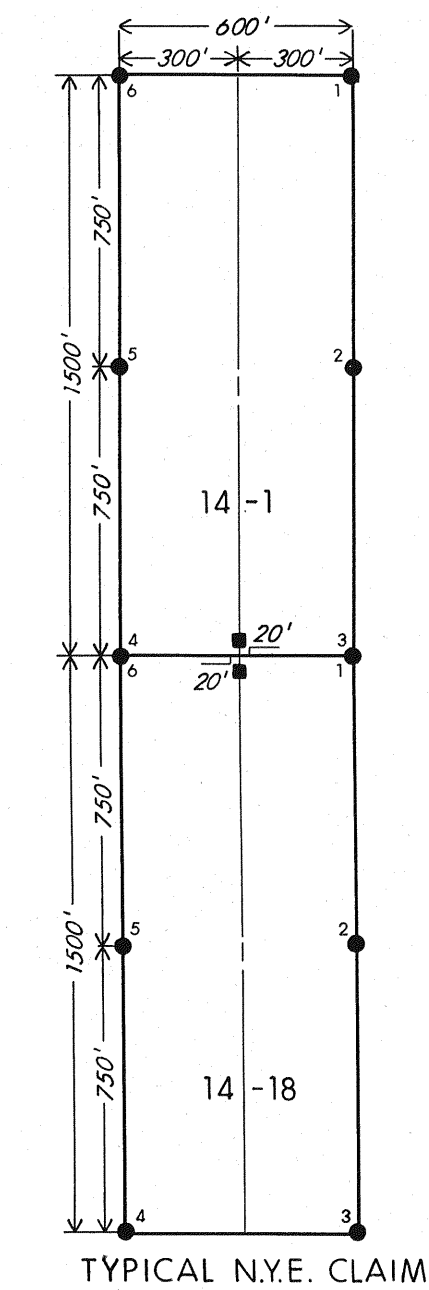
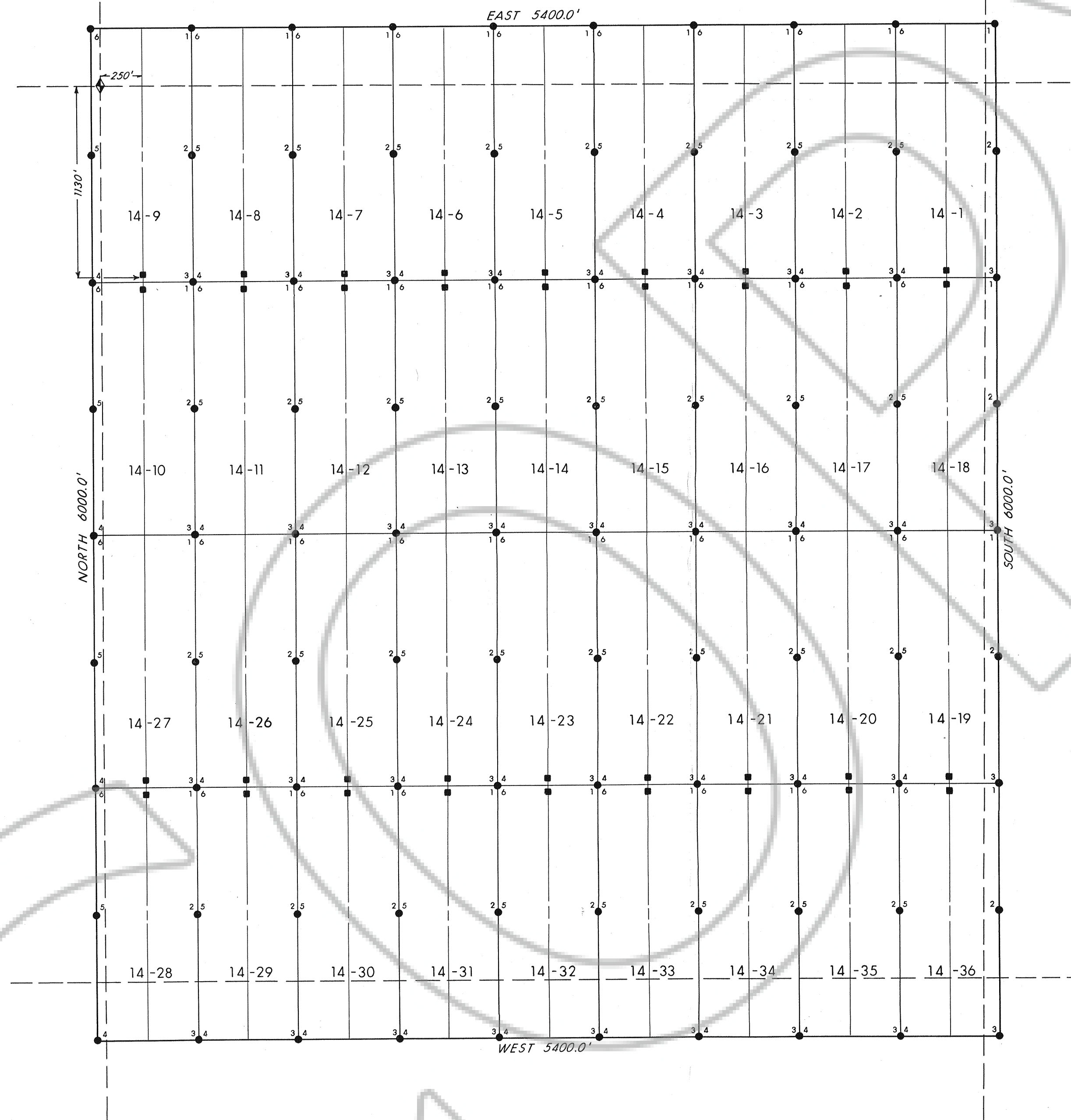


FILED AT THE REQUEST OF *Coral Resources*
 on *Dec 2* 19 *88* at *8* mins, past *3:24* P.M.
 RECORDS OF EUREKA COUNTY, NEVADA M. N. REBALEATI, Recorder
 File No. *125472* Fee \$ *542.00*

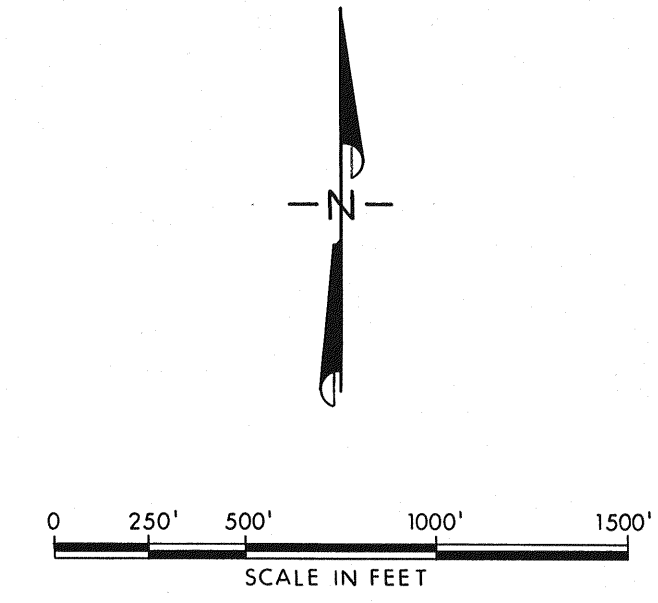
CORAL RESOURCES INC.

LOCATION MAP
 — OF THE —
 N.Y.E. Nos. 10-1-36 LODE CLAIMS
 Section 10, T.28 N., R.51 E. M.D.M.
 EUREKA COUNTY - NEVADA

U.M. EXPLORATION INC.
 1336 SUMMIT STREET EVANSTON · WYOMING 82930
 (307) 789-5135 (801) 295-2607



- EXPLANATION**
- CLAIM CORNER - 3" x 5" LONG P.V.C. POST MARKED WITH 3" x 4" ALUMINUM TAG.
 - DISCOVERY MONUMENT - 3" x 5" LONG P.V.C. POST LOCATED 20' WITHIN CLAIM BOUNDARY AND MARKED WITH 3" x 4" ALUMINUM TAG.
- WEST 5400.0' MEASURED BEARING AND DISTANCE.
- SECTION LINE - APPROXIMATE LOCATION.
- ✦ FOUND SECTION CORNER



FILED AT THE REQUEST OF *Coral Resources*
 on *Dec 2* 19*88*, at *8* mins. past *32* M.
 RECORDS OF EUREKA COUNTY, NEVADA M.N. REBALEATI, Recorder
 File No. 125472 Fee \$ 540.00

CORAL RESOURCES INC.

LOCATION MAP
 — OF THE —
 N.Y.E. Nos. 14-1-36 LODE CLAIMS
 Section 14 T.28 N., R.51 E. M.D.M.
 EUREKA COUNTY - NEVADA

U.M. EXPLORATION INC.
 1336 SUMMIT STREET EVANSTON - WYOMING 82930
 (307) 789-5135 (801) 295-2607