

R. 51 E. | R. 52 E.

263 S 90° W

MATCH LINE TO MAP 3 OF 3

N 90° E

750

162

T. 24 N.

T. 23 N.

N 90° E

36

F 90° W

32

31

N 90° E

M 90° S

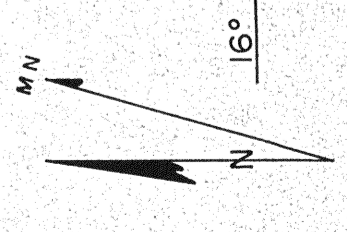
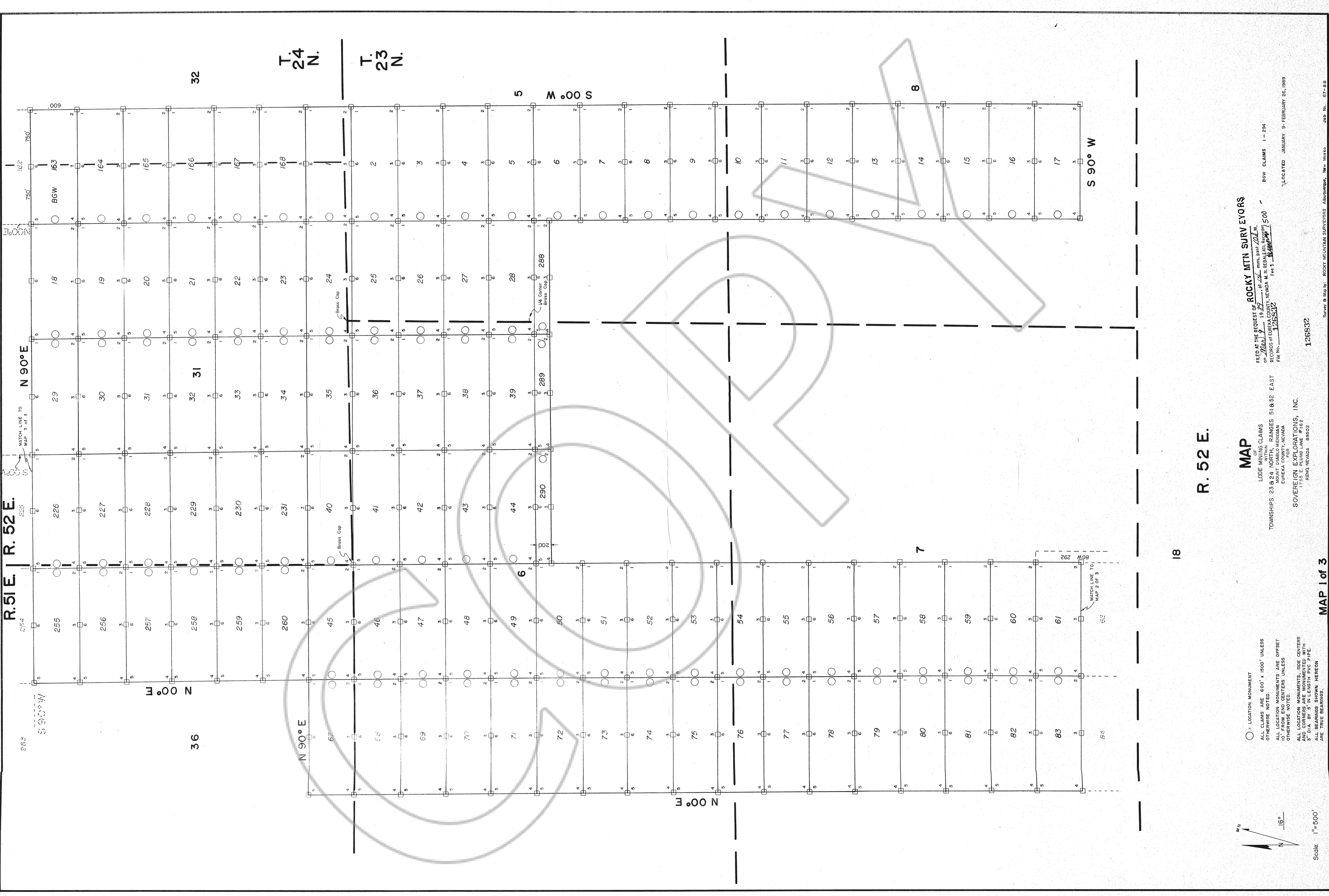
5

8

N 90° E

S 90° W

18



Scale: 1" = 500'

○ = LOCATION MONUMENT
 ALL CLAIMS ARE 600' x 1500' UNLESS OTHERWISE NOTED.
 ALL LOCATION MONUMENTS ARE OFFSET 10' FROM END CENTERS UNLESS OTHERWISE NOTED.
 ALL LOCATION MONUMENTS, SIDE CENTERS AND CORNERS ARE MONUMENTED WITH 3" DIA BY 5" IN LENGTH PVC PIPE. ALL BEARINGS SHOWN HEREON ARE TRUE BEARINGS.

MAP
 OF
 LOSE MINING CLAIMS
 WITHIN
 TOWNSHIPS 23 & 24 NORTH, RANGES 51 & 52 EAST
 EUREKA COUNTY, NEVADA
 FOR
 SOVEREIGN EXPLORATIONS, INC.
 1755 E. PLUMB LINE #162
 REBQ NEVADA 89502

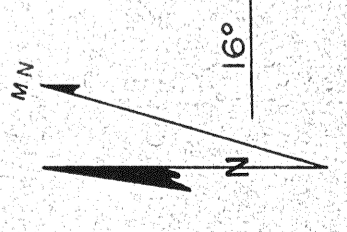
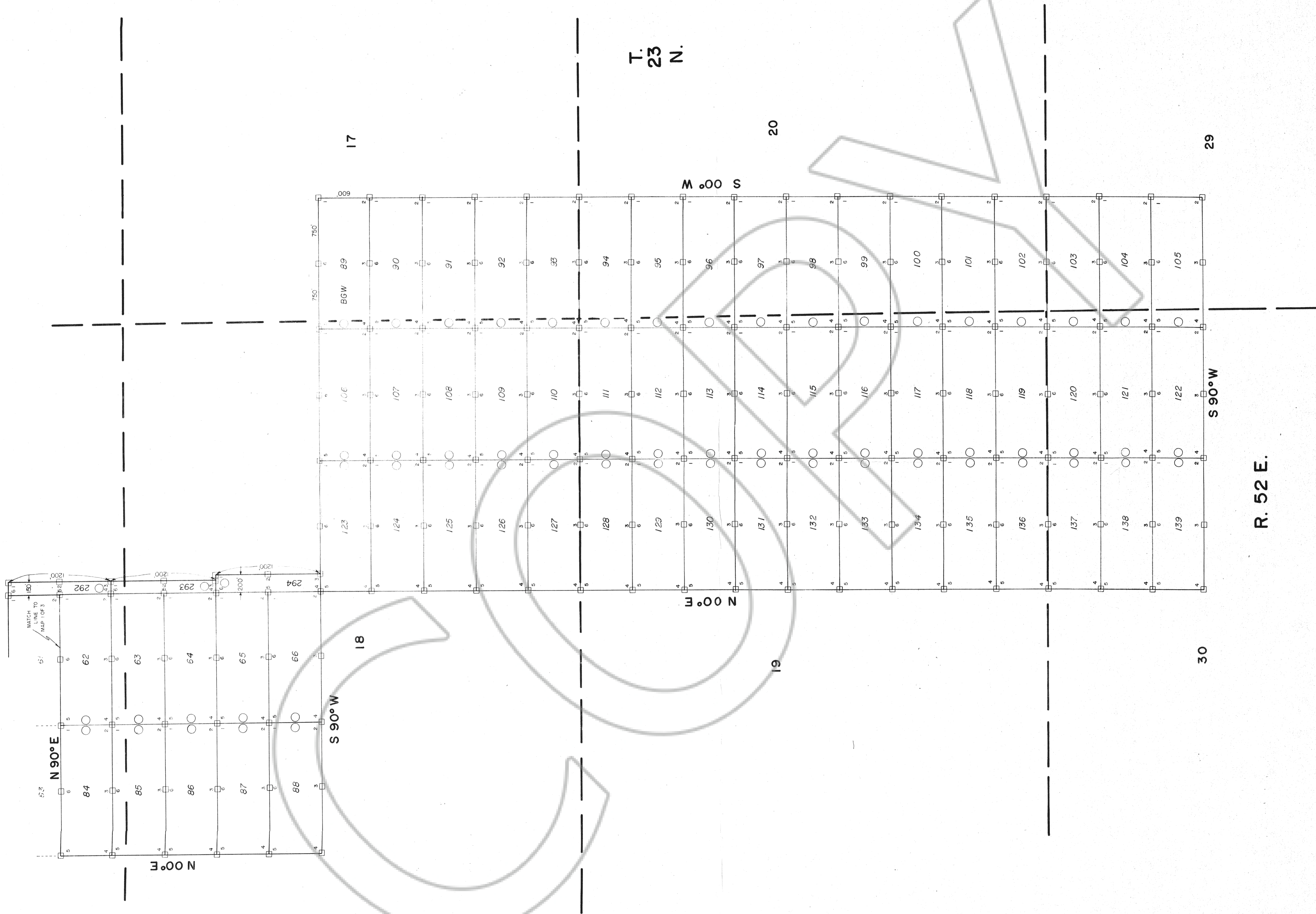
FILED AT THE REQUEST OF **ROCKY MTN SURVEYORS**
 on 12/22/89 at 10:27 a.m., Dist. 201
 RECORDS OF EUREKA COUNTY, NEVADA M.N. REBQ NEVADA #162
 FILE NO. 1265332 Fee \$ 100.00

BGW CLAIMS 1-294
 LOCATED JANUARY 9-FEBRUARY 26, 1989

1265332

MAP 1 of 3

Survey & Map by: ROCKY MOUNTAIN SURVEYORS, Albuquerque, New Mexico Job No. 87-88



Scale: 1"=500'

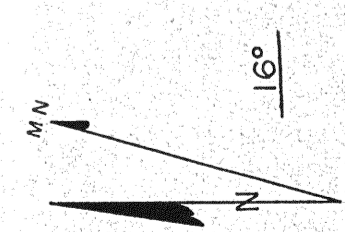
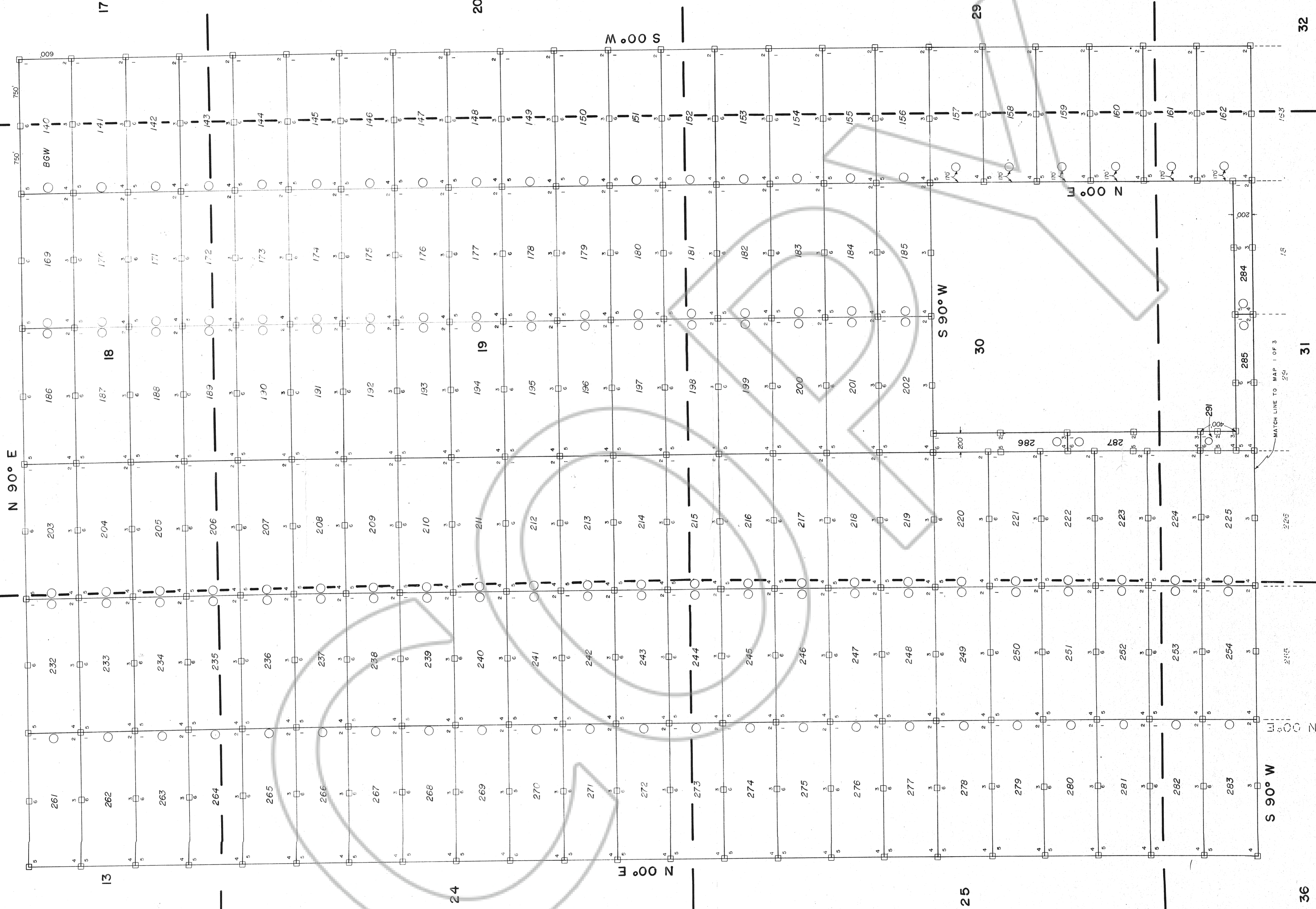
○ : LOCATION MONUMENT
 ALL CLAIMS ARE 600' x 1800' UNLESS OTHERWISE NOTED.
 ALL LOCATION MONUMENTS ARE OFFSET 10' FROM END CENTERS UNLESS OTHERWISE NOTED.
 ALL LOCATION MONUMENTS, SIDE CENTERS AND CORNERS ARE MONUMENTED WITH 3" DIA. BY 5' IN LENGTH PVC PIPE. BEARING SHOWN HEREON ARE TRUE BEARINGS.

MAP
 OF
 LOSE MINING CLAIMS
 WITHIN
 TOWNSHIPS 23 & 24 NORTH
 RANGES 51 & 52 EAST
 EUREKA COUNTY, NEVADA
 For
 SOVEREIGN EXPLORATIONS, INC.
 1755 E. FLUMB LANE #162
 RENO, NEVADA 89502

FILED AT THE REQUEST OF **ROCKY MTN SURVEYORS**
 on 07/27/19 at 12:22 min., part 2024 W.
 RECORDS OF EUREKA COUNTY, NEVADA W.N. REBLEN # 910
 Fee \$ 1265332

BOW CLAIMS 1-294
 LOCATED JANUARY 9 - FEBRUARY 26, 1989

R. 51 E. R. 52 E.



Scale: 1" = 500'

MAP

OF
 LODGE MINING CLAIMS
 WITHIN
 TOWNSHIPS 23 & 24, NORTH, RANGES 51 & 52, EAST
 EUREKA COUNTY, NEVADA

ROCKY MOUNTAIN SURVEYORS
 1952, at Las Vegas, Nevada, per
 RECORDS OF EUREKA COUNTY, NEVADA M. N. REQUENT, Recorder
 File No. 125832 Fee \$ 1450

SOVEREIGN EXPLORATIONS, INC.
 1755 E. PLUME LINE, #162
 RENO, NEVADA 89502

MAP 3 of 3

BSW CLAIMS 1 - 294

LOCATED JANUARY 9 - FEBRUARY 26, 1989

125832

Survey & Map by: ROCKY MOUNTAIN SURVEYORS, Albuquerque, New Mexico, Job No. 87-88