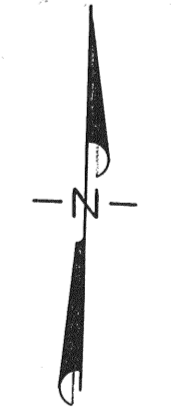


**EXPLANATION**

- CLAIM CORNER - SET 3" DIA. x 5' LONG P.V.C. POST MARKED WITH 3" x 4" ALUMINUM TAG.
- DISCOVERY MONUMENT - SET 3" DIA. x 5' LONG P.V.C. POST MARKED WITH 3" x 4" ALUMINUM TAG.

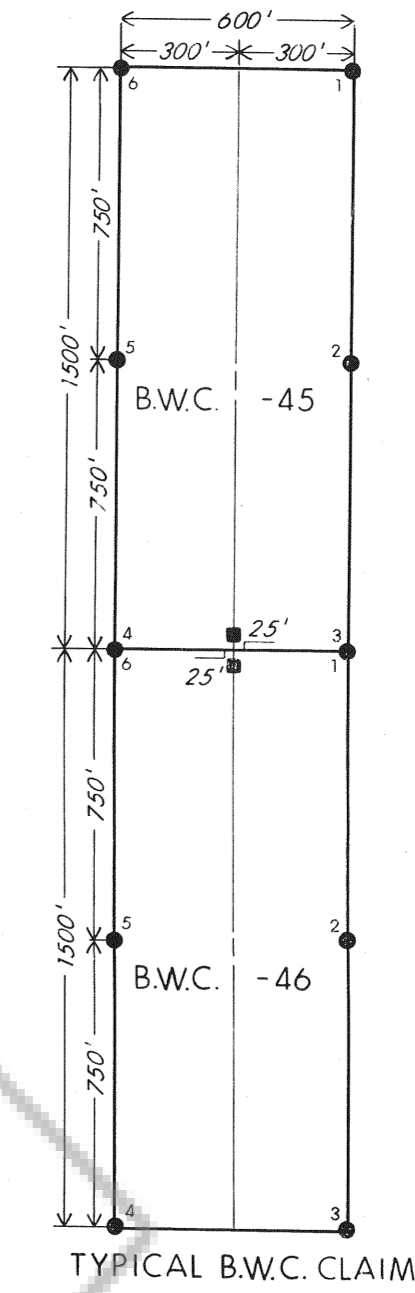
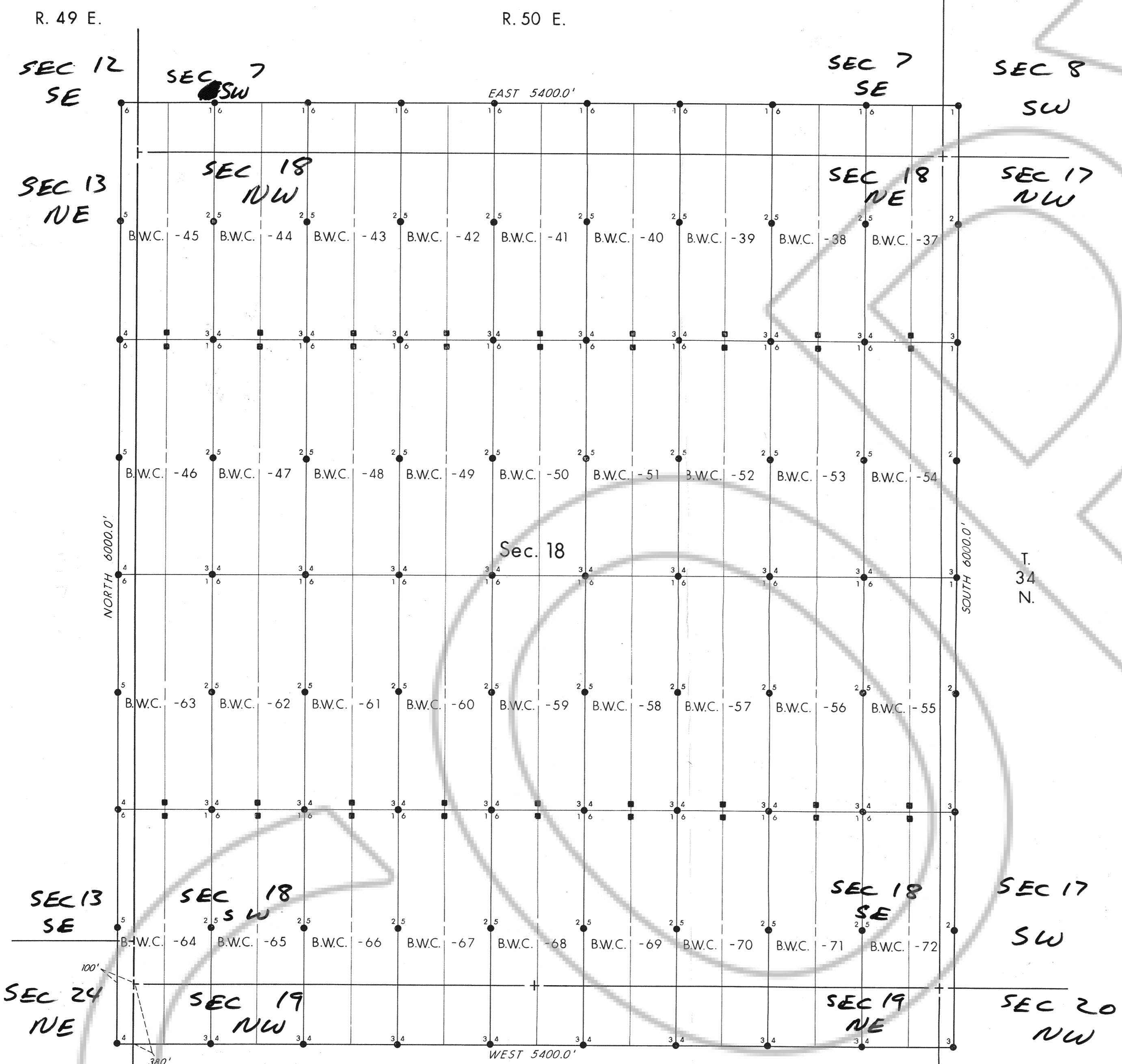
MEASURED BEARING AND DISTANCE  
 NOTE: B.W.C. Nos. 73-92 LOCATED FEB. 12, 1989

FILED AT THE REQUEST OF *Barrick Gold Exploration, Inc.*  
 on *Apr 18* 19*89*, at *11* mins. past *10:00* P.  
 RECORDS OF EUREKA COUNTY, NEVADA M. N. REBALEATI, Recorder  
 File No. *127057* Fee \$ *300*



**BARRICK GOLD EXPLORATION INC.**  
 LOCATION MAP  
 OF THE  
 B.W.C. Nos. 73-92 LODE CLAIMS  
 Section 6, T. 34 N., R. 50 E. M.D.M.  
 EUREKA COUNTY - NEVADA

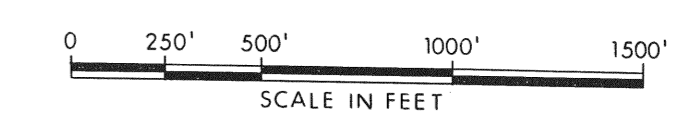
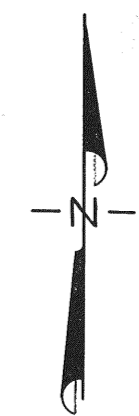
127057



**EXPLANATION**

- CLAIM CORNER - SET 3" DIA. x 5' LONG P.V.C. POST MARKED WITH 3" x 4" ALUMINUM TAG.
  - DISCOVERY MONUMENT - SET 3" DIA. x 5' LONG P.V.C. POST MARKED WITH 3" x 4" ALUMINUM TAG.
- WEST 5400.0' MEASURED BEARING AND DISTANCE  
 NOTE: B.W.C. Nos. 37-72 LOCATED FEB. 11, 1989

FILED AT THE REQUEST OF *Barrick Gold Exploration, Inc.*  
 on *April 13* 19 *89*, at *11* mins. past *12* M.  
 RECORDS OF EUREKA COUNTY, NEVADA M. N. REBALEATI, Recorder  
 File No. *127057* Fee \$ *540*

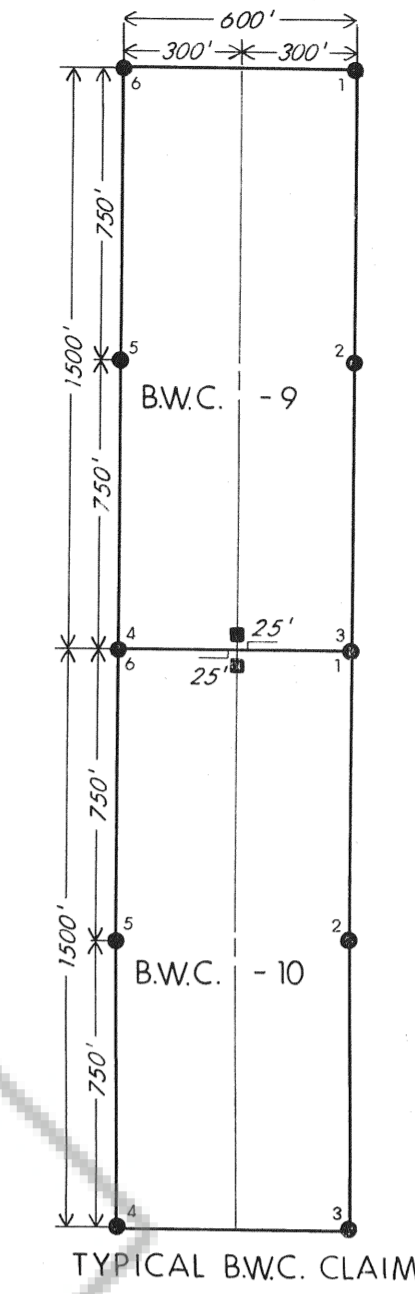
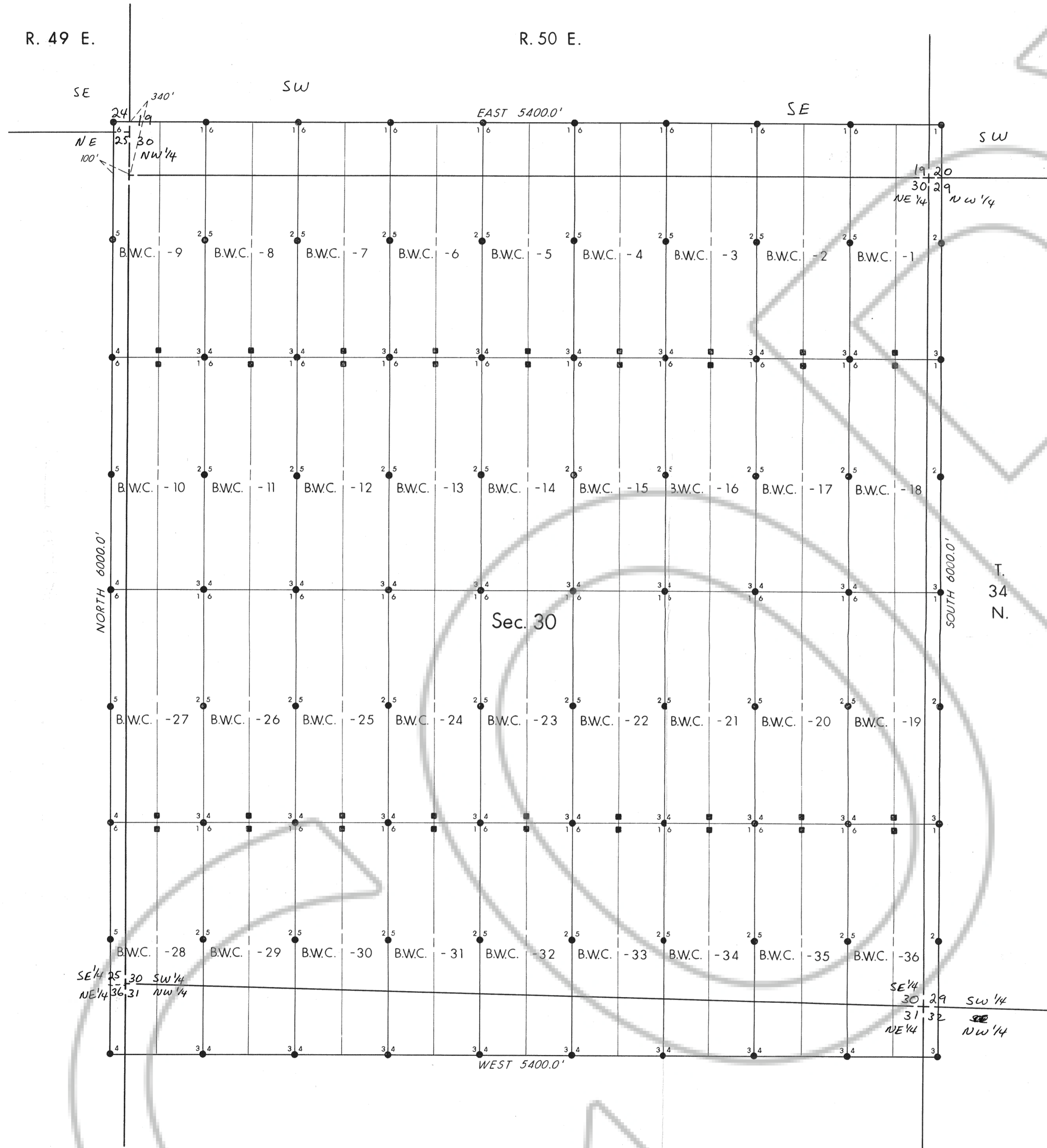


**BARRICK GOLD EXPLORATION INC.**

LOCATION MAP  
 — OF THE —  
 B.W.C. Nos. 37-72 LODE CLAIMS  
 Section 18, T. 34N., R. 50 E. M.D.M.  
 EUREKA COUNTY - NEVADA

127057

U.M. EXPLORATION INC.  
 1336 SUMMIT STREET EVANSTON - WYOMING 82930  
 (307) 789-5135 (801) 295-2607



FILED AT THE REQUEST OF *Barrick Gold Exploration Inc.*  
 on *April 13, 1989*, at *11* min, past *10* A.M.,  
 RECORDS OF EUREKA COUNTY, NEVADA M. N. REBALEATI, Recorder  
 File No. *127057* Fee \$ *540*



**EXPLANATION**

- CLAIM CORNER - SET 3" DIA. x 5' LONG P.V.C. POST MARKED WITH 3" x 4" ALUMINUM TAG.
- DISCOVERY MONUMENT - SET 3" DIA. x 5' LONG P.V.C. POST MARKED WITH 3" x 4" ALUMINUM TAG.

WEST 5400.0' MEASURED BEARING AND DISTANCE.  
 NOTE: B.W.C. Nos. 1-36 LOCATED BETWEEN FEB. 10 and 11, 1989.

**BARRICK GOLD EXPLORATION INC.**

LOCATION MAP  
 OF THE  
 B.W.C. Nos. 1-36 LODE CLAIMS  
 Section 30, T.34 N., R.50 E. M.D.M.  
 EUREKA COUNTY - NEVADA

127057  
 Map 3 of 3

U.M. EXPLORATION INC.  
 1336 SUMMIT STREET EVANSTON · WYOMING 82930  
 (307) 789-5135 (801) 295-2607