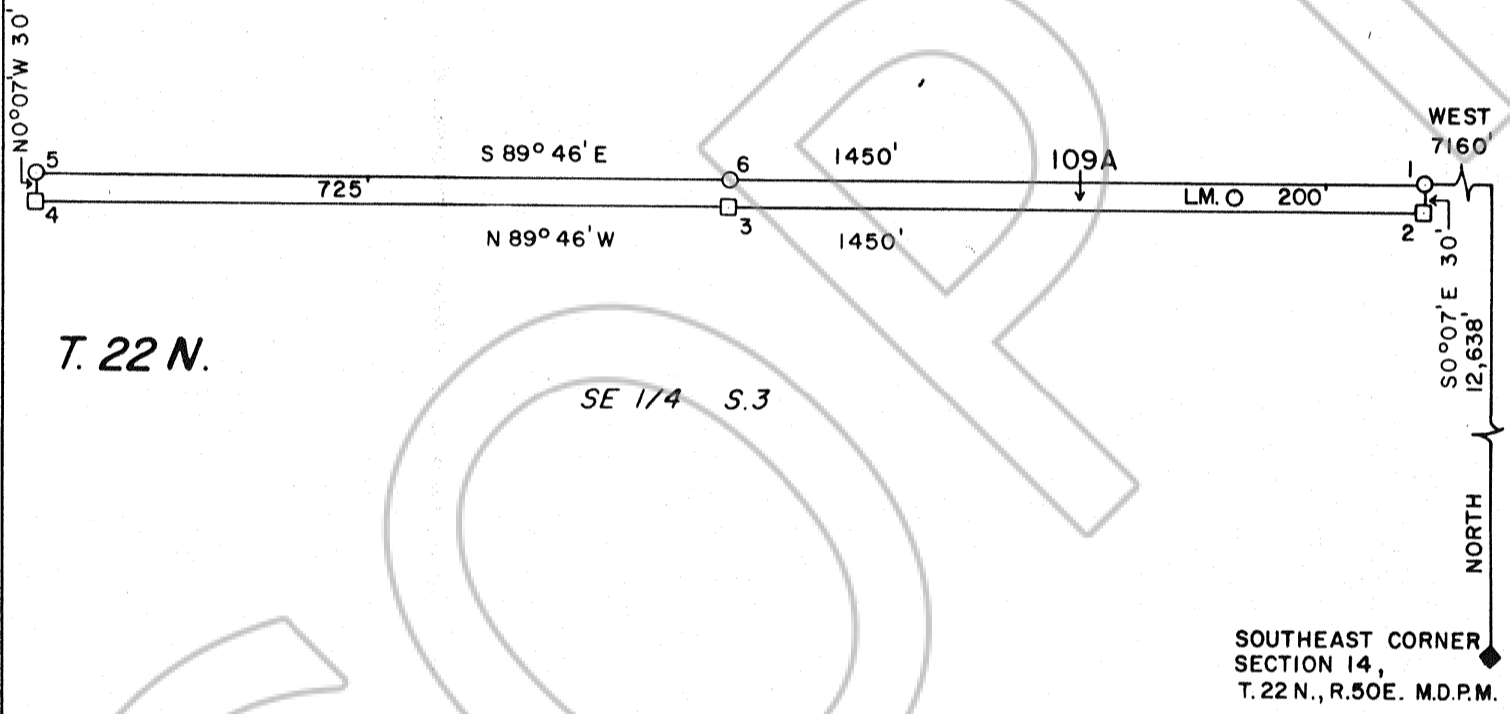
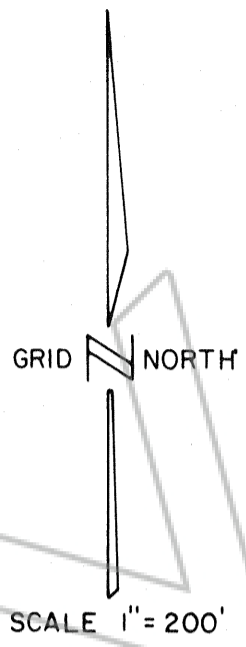


R. 50 E.



T. 22 N.

DATE OF RELOCATION - SEPTEMBER 11, 1990

FILED AT THE REQUEST OF Atlas Gold Mining Inc
 on Sept 21 19 90, at 27 mins, past 12 P.M.
 RECORDS OF EUREKA COUNTY, NEVADA M. M. REGALEATI, Recorder
 File No. 133666 Fee \$ 15

LEGEND

- - 4" x 4" x 4' WOOD POST
- - 3" DIA. x 4' DURABLE PLASTIC PIPE
- ◆ - MARKED STONE

133666

MAP OF THE RELOCATED WI LODE MINING CLAIM 109A EUREKA COUNTY, NEVADA
LOCATED BY WILLIAM J. CHUPKA AGENT FOR ATLAS PRECIOUS METALS INC. 370 17th STREET, SUITE 3150 DENVER, COLORADO 80202 SEPTEMBER 14, 1990
APEX SURVEYING INC. RIVERTON, WYOMING