

ASARCO Incorporated  
 510 East Plumb Lane  
 Reno, Nevada 89502

LH CLAIMS

T20N R53E

MOUNT DIABLO BASE AND MERIDIAN

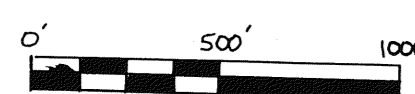
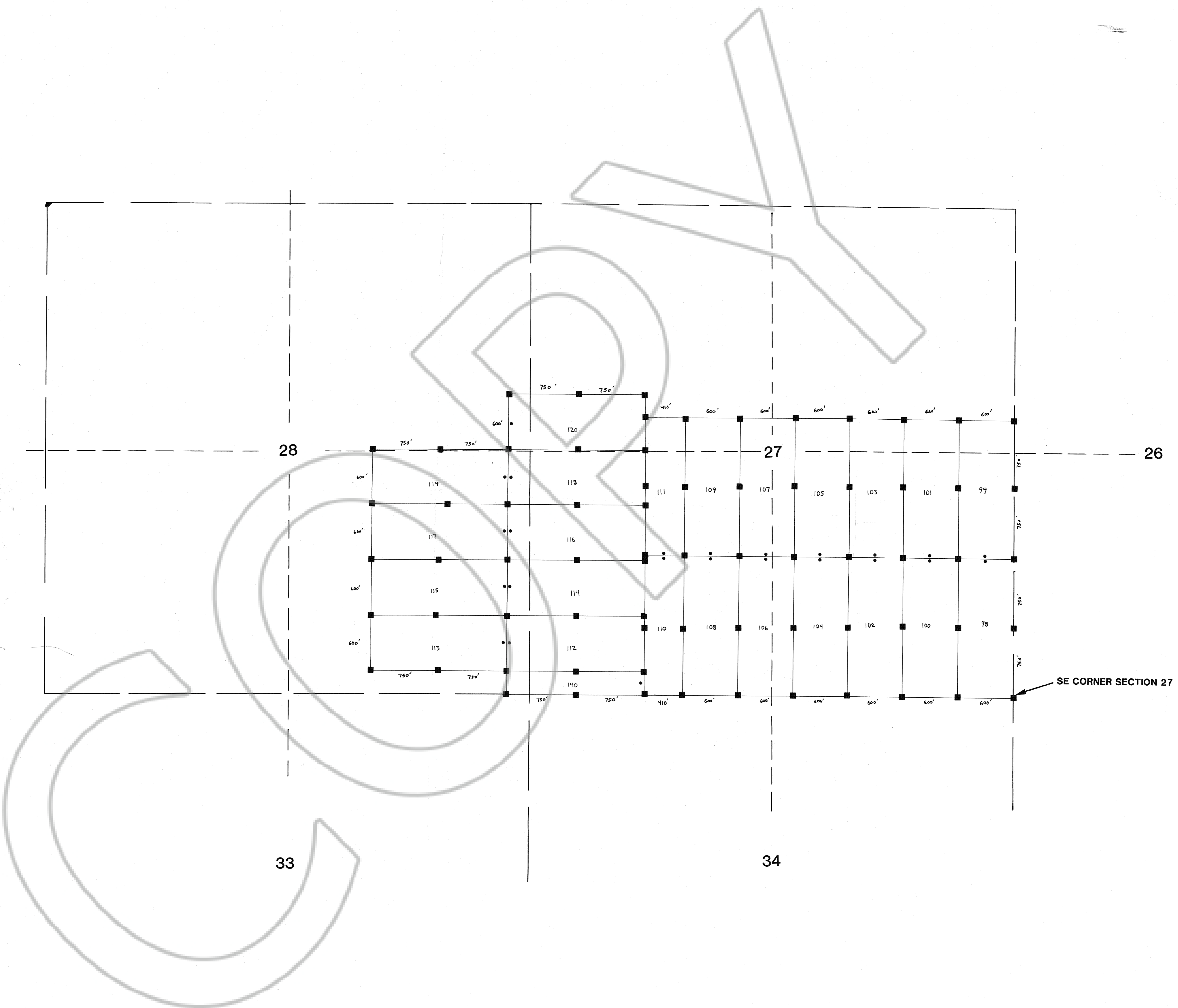
EUREKA COUNTY, NEVADA

THERE ARE 7 POSTS OF DURABLE PLASTIC PIPE AT LEAST 3" IN DIAMETER BY 4.5' LONG, SET 1' IN THE GROUND. ONE POST FOR THE DISCOVERY MONUMENT, ONE POST FOR EACH OF THE FOUR CORNERS, AND ONE AT THE CENTER OF EACH SIDELINE AS PRESCRIBED BY N.R.S. 517.030.

ALL CORNERS AND SIDECENTERS ARE IDENTIFIED 2, 3, 4, 5, 6, AND 1 IN A CLOCKWISE DIRECTION FROM THE DISCOVERY MONUMENT 20' FROM THE END LINE, UNLESS MARKED OTHERWISE.

- DISCOVERY MONUMENT
- CORNER OR SIDECENTER

CLAIM	DATE	LOCATOR
LH 98-120, 140	7/7/90	ASARCO Incorporated 510 East Plumb Lane Reno, Nevada 89502



FILED AT THE REQUEST OF Asarco Inc  
 on Oct 5 19 90, at 46 mins, past 4 M.  
 RECORDS OF EUREKA COUNTY, NEVADA M.N. REBALEATI, Recorder  
 File No. 133881 Fee \$ 510.00

**ASARCO Incorporated**  
 510 EAST PLUMB LANE  
 RENO NEVADA  
 89502

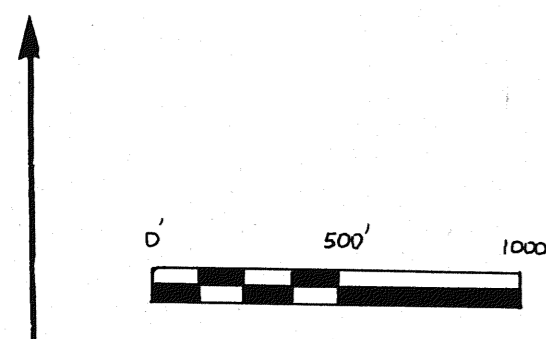
**LH CLAIMS**  
**T20N R53E**  
**EUREKA COUNTY, NEVADA**

THERE ARE 7 POSTS OF DURABLE PLASTIC PIPE AT LEAST 3" IN DIAMETER BY 4.5' LONG, SET 1' IN THE GROUND. ONE POST FOR THE DISCOVERY MONUMENT, ONE POST FOR EACH OF THE FOUR CORNERS, AND ONE AT THE CENTER OF EACH SIDELINE AS PRESCRIBED BY N.R.S. 517.030.

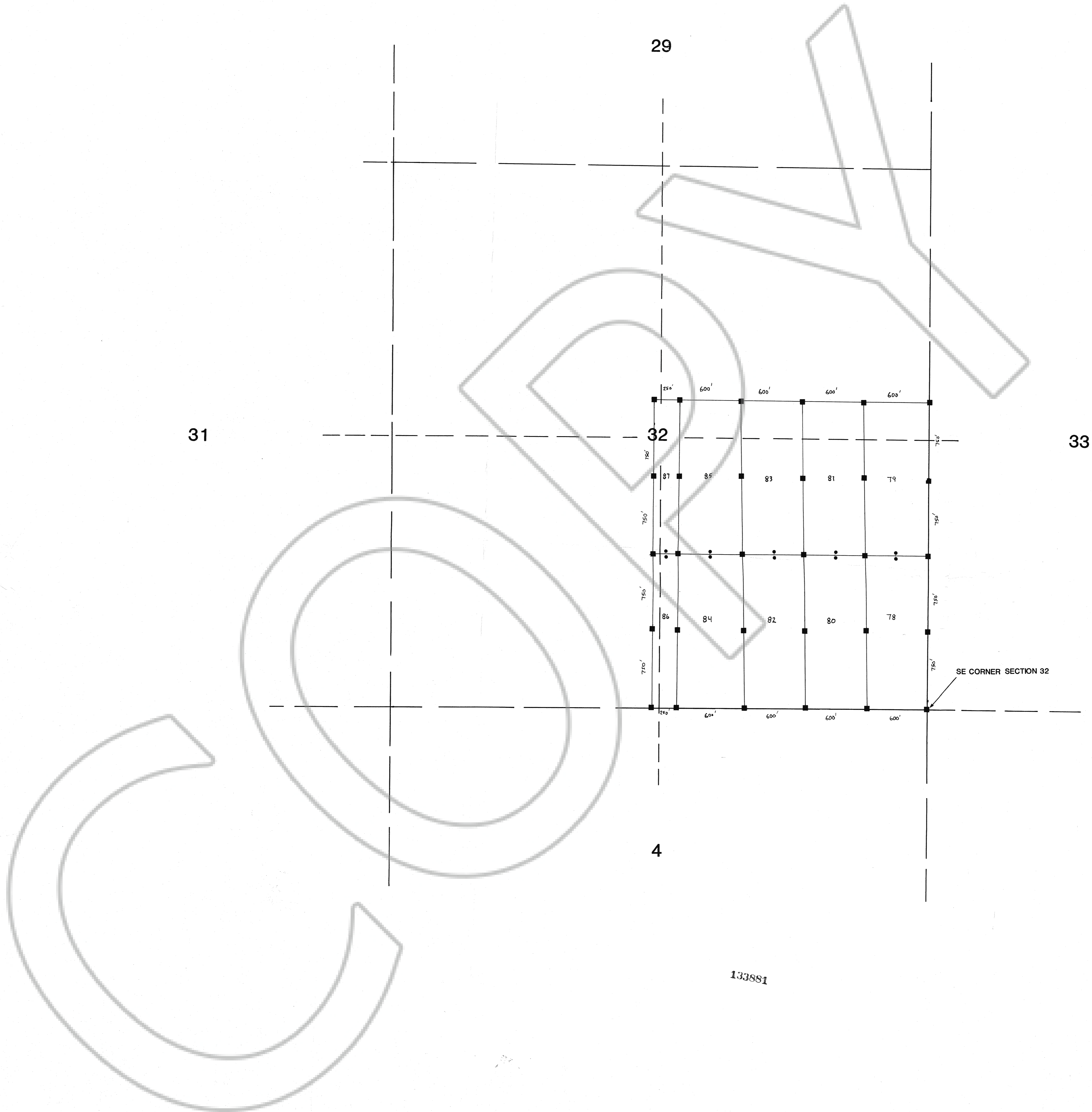
ALL CORNERS AND SIDECENTERS ARE IDENTIFIED 2, 3, 4, 5, 6, AND 1 IN A CLOCKWISE DIRECTION FROM THE DISCOVERY MONUMENT 20' FROM THE END LINE, UNLESS MARKED OTHERWISE.

- DISCOVERY MONUMENT
- CORNER OR SIDECENTER

CLAIM	DATE	LOCATOR
LH 78 - 87	7/7/90	ASARCO Incorporated 510 East Plumb Lane Reno, Nevada 89502



FILED AT THE REQUEST OF Asarco Inc  
 on Oct 5 19 90 at 4:46 mins. past 4 P.M.  
 RECORDS OF EUREKA COUNTY, NEVADA M. N. REBALEATI Recorder  
 File No. 133881 Fee \$ 510.00



133881