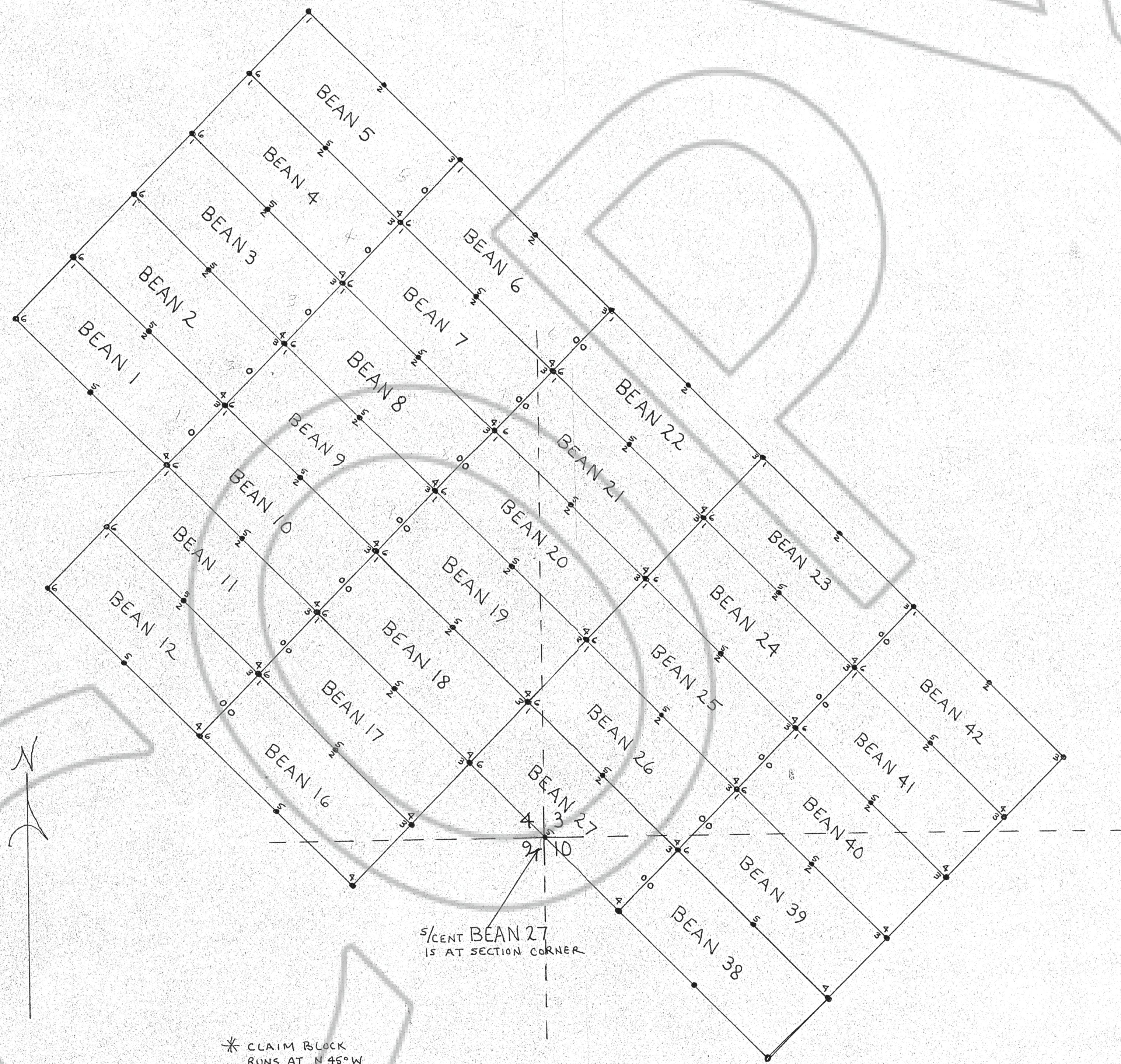
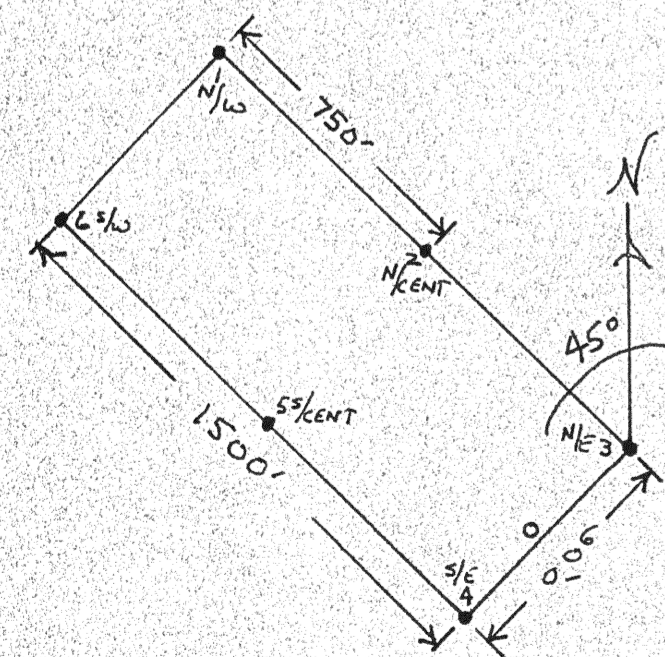
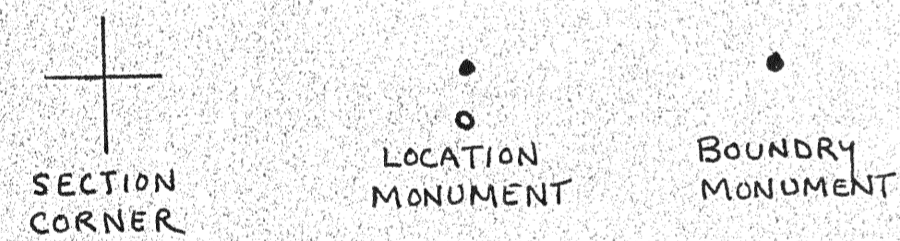


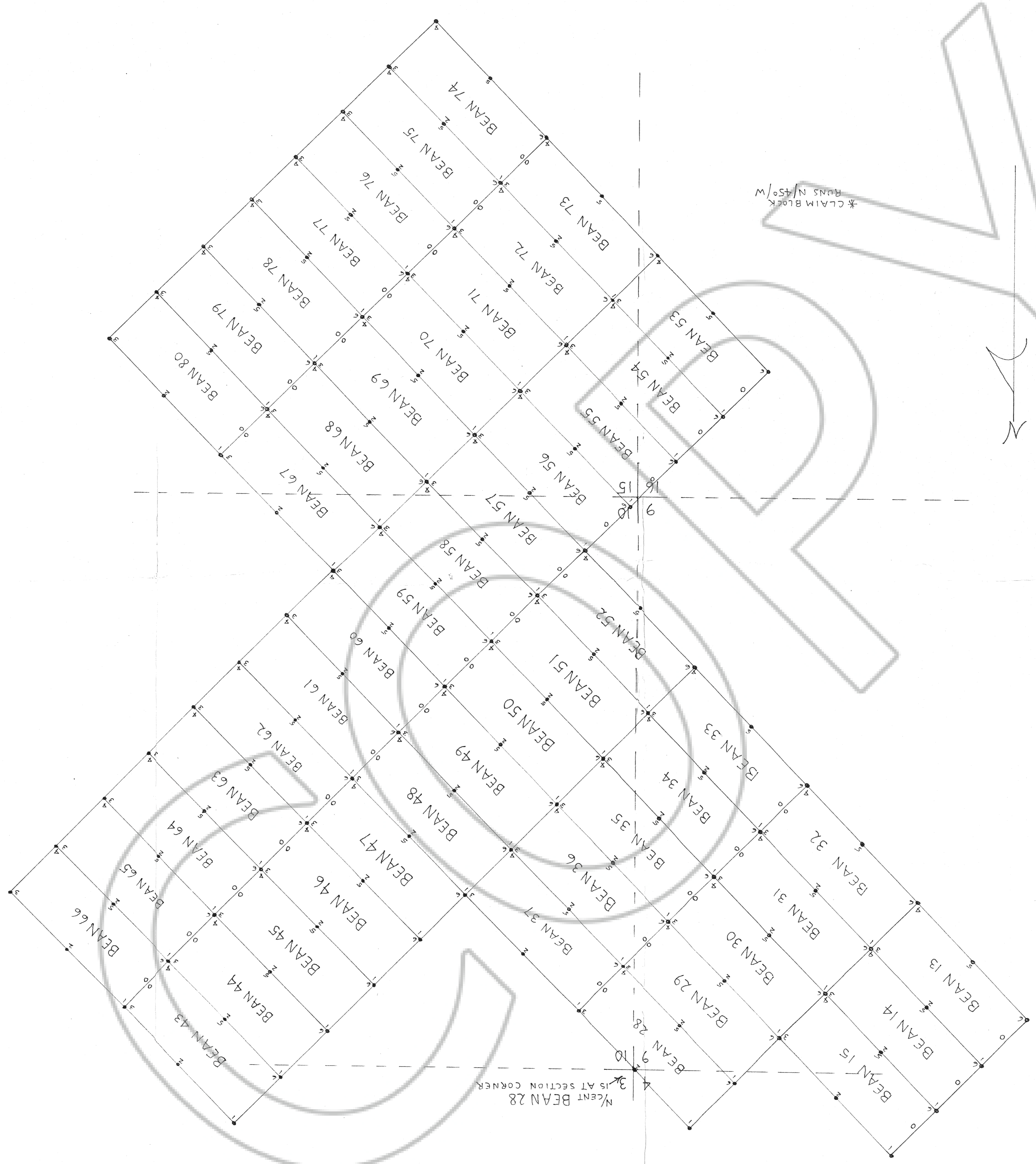
MAP 1 OF 2 OF THE
THE BEAN 1-80
LODE CLAIM GROUP

CLAIMS: 1-12, 16-27, #38-42
SECTIONS: 9, 10, 3, 4, 15, 16
T. 19N/R. 49E
EUREKA COUNTY NEVADA
LOCATED: SEPT. 26-28 1990
BY: WILD ROSE MGMT. INC.
316 BRIDGER ST.
SUITE 147
LAS VEGAS, NV.
89101

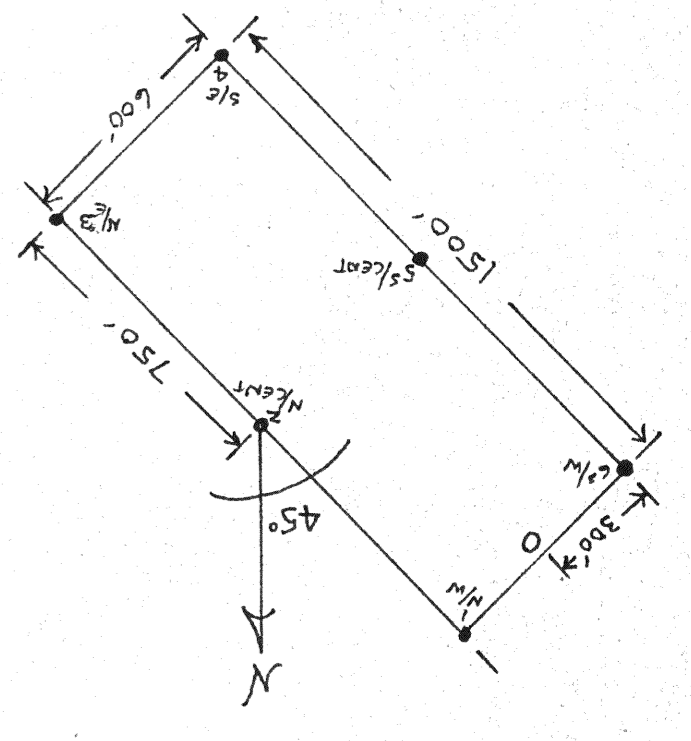
SCALE: ONE INCH = 500'



FILED AT THE REQUEST OF Wild Rose Mgmt
ON Oct 11 1990 AT 2:28 P.M. 1990 - 11A
RECORDS OF EUREKA COUNTY, NEVADA H. H. REBALEATI, RECORDER
FILE NO. 134104 Fee \$ 2.00



FILED AT THE REQUEST OF W. L. Rose Mgmt.
 on Oct 11 1990 at 11:28 a.m., Dist. 11
 RECORDS OF EUREKA COUNTY, NEVADA, M. N. REBALATI, Recorder
 File No. 134104 Fee \$ 12.00



SECTION CORNER
 +
 MONUMENT
 •
 LOCATION MONUMENT
 o

SCALE: ONE INCH = 500'

MAP 2 OF THE
 BEAN 1-80
 LODGE CLAIM GROUP
 CLAIMS: 13-15, 28-37, 43-80
 SECTIONS: 3, 4, 9, 10, 15, 16
 T-19N / R-49E
 LOCATED: SEPT. 26-28, 1990
 EUREKA COUNTY NEVADA
 BY: WILD ROSE MGMT. INC.
 316 BRIDGER ST.
 SUITE 147
 LAS VEGAS, NV.
 89801