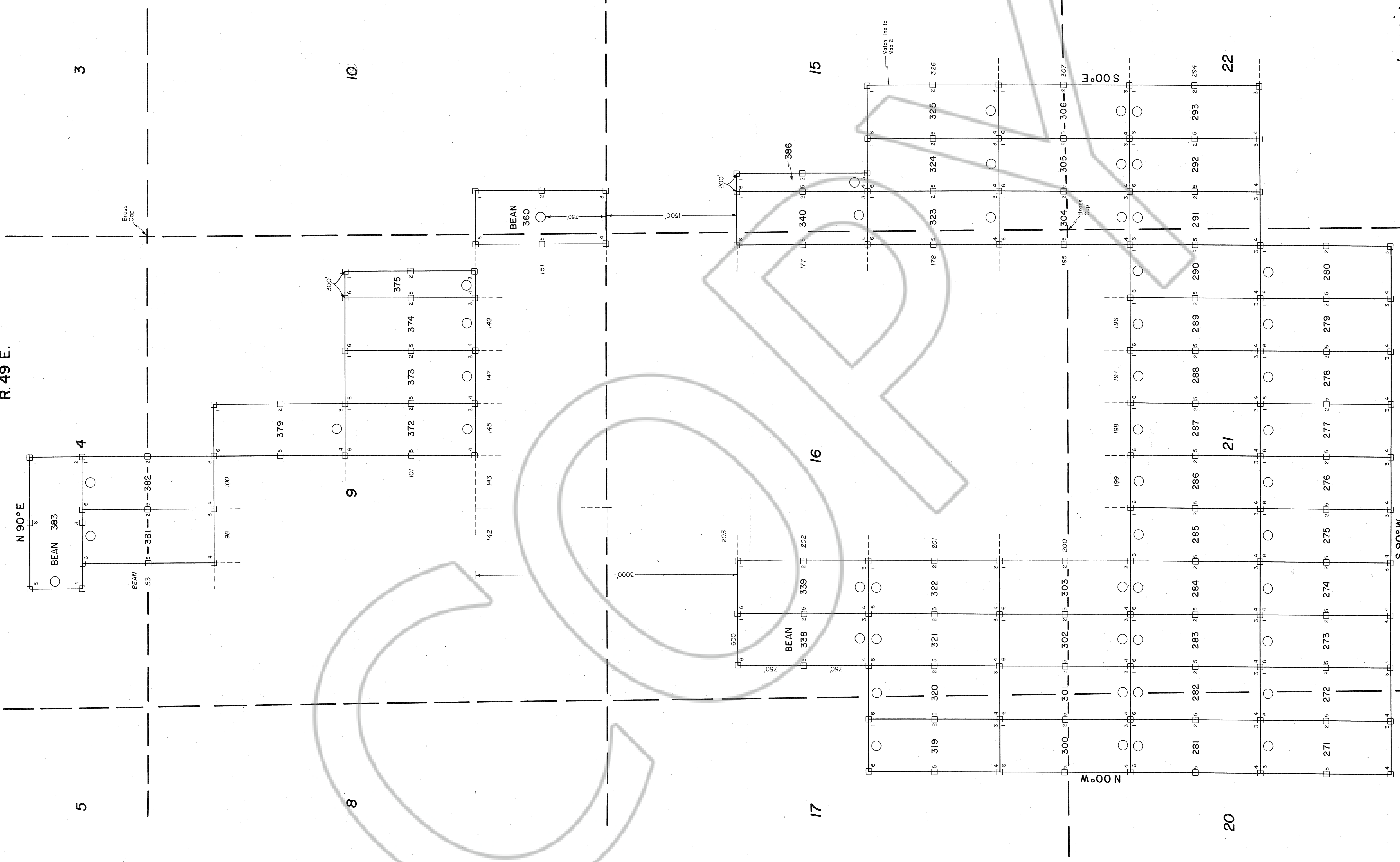
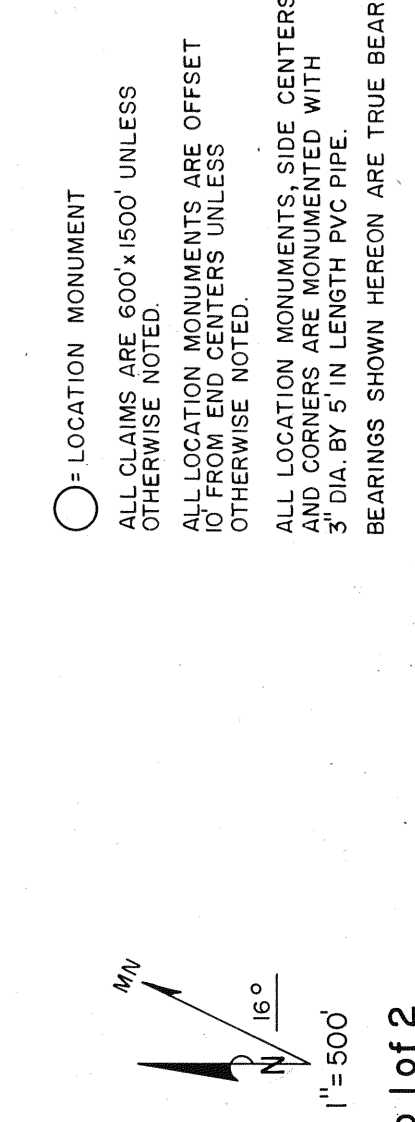


R. 49 E.



T. 19 N.



**MAP OF**  
 LOBE MINING CLAIMS  
 WITHIN  
 TOWNSHIP 19 NORTH-RANGE 49 EAST  
 COUNTY OF EUREKA  
 STATE OF NEVADA

**WESTERN MINING CORPORATION (USA)**  
 240 SOUTH ROCK BLVD., SUITE 137  
 RENO, NEVADA 89502

FILED AT THE REQUEST OF **Western Mining Corp.**  
 on **June 14 91** at **11:25 AM**  
 RECORDS OF EUREKA COUNTY, NEVADA M. N. REBELEAU, REGISTER  
 File No. **3-124-36** Fee \$ **750**

BEAN CLAIMS 271-386  
 LOCATED-APRIL 5-10, 1991

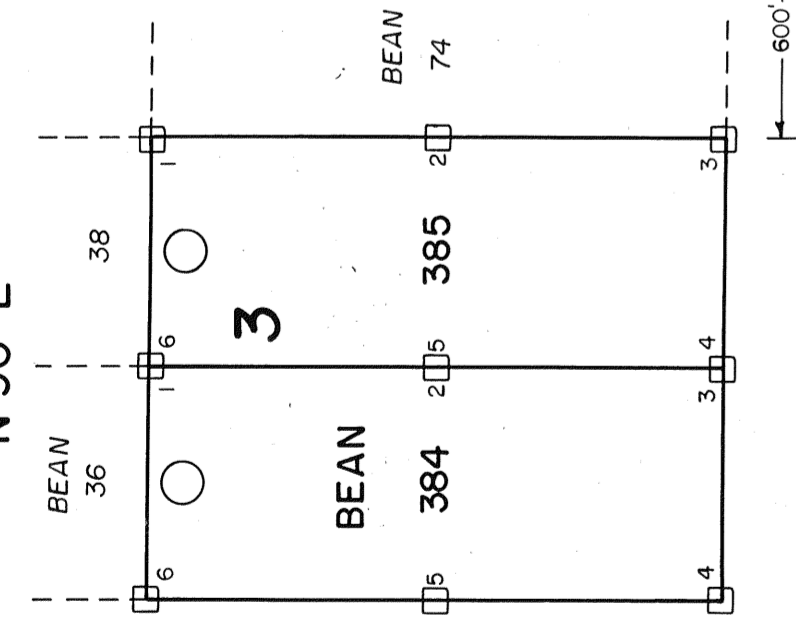
Survey and Map by: ROCKY MOUNTAIN SURVEYORS Albuquerque, New Mexico Job No. 90-0000



R. 49 E.

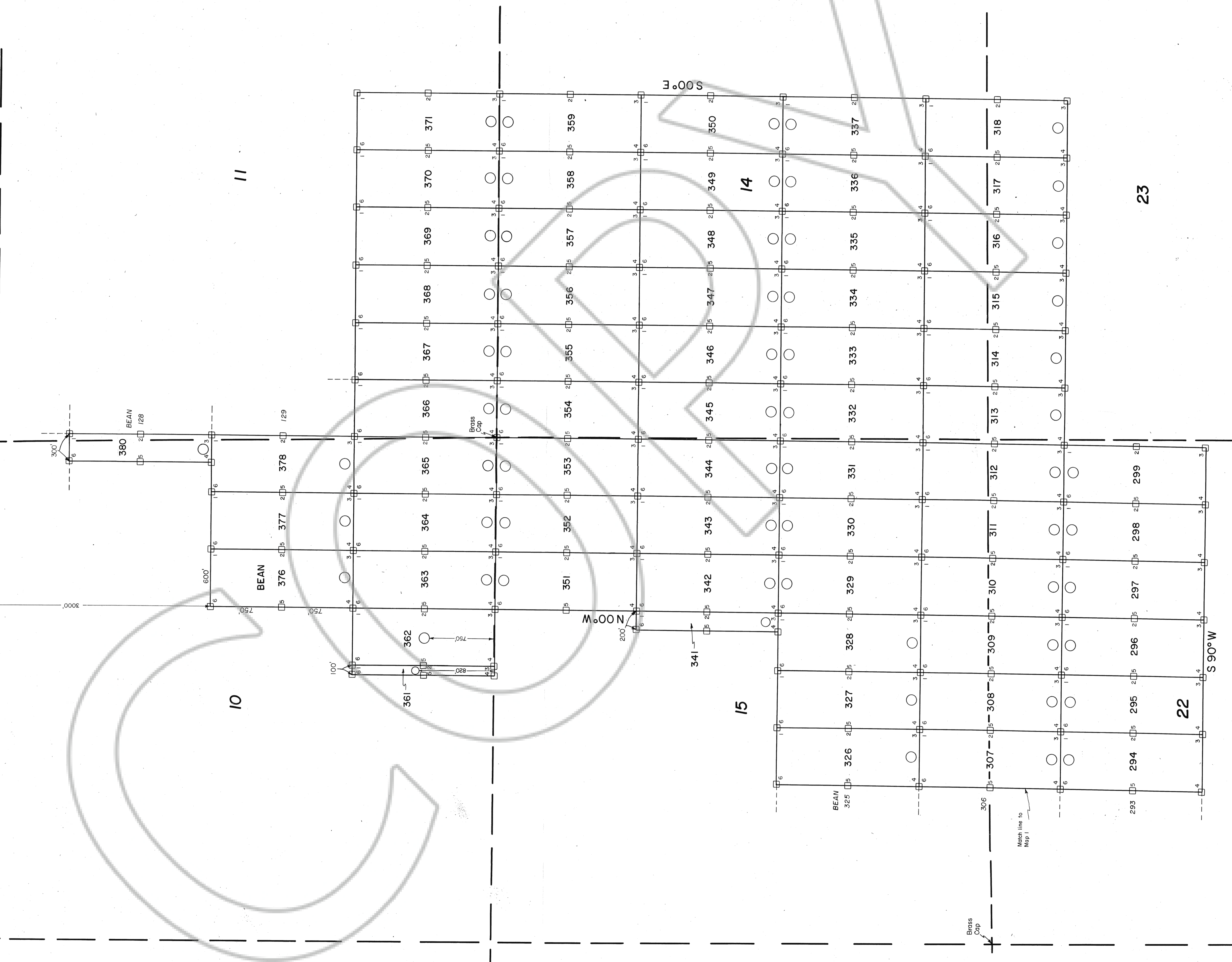
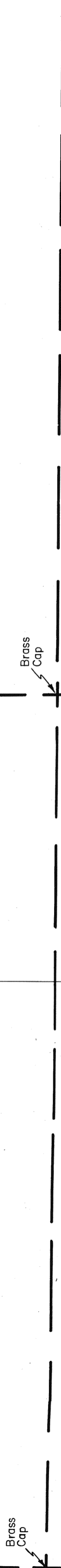
N 90° E

2



Brass Cap

Brass Cap



T. 19 N.

○ LOCATION MONUMENT  
 ALL CLAIMS ARE 600'x1500' UNLESS OTHERWISE NOTED.  
 ALL LOCATION MONUMENTS ARE OFFSET 10' FROM END CENTERS UNLESS OTHERWISE NOTED.  
 ALL LOCATION MONUMENTS, SIDE CENTERS AND CORNERS ARE SET AND WITH 3" DIA. BY 5' IN LENGTH PVC PIPE. BEARINGS SHOWN HEREON ARE TRUE BEARINGS.

**MAP**  
 LODGE MINING CLAIMS WITHIN TOWNSHIP 19 NORTH, RANGE 49 EAST, MOUNT DIABLO MERIDIAN, ESNEKA CO., NEVADA FOR WESTERN MINING CORPORATION (USA) 240 SOUTH ROCK BLVD., SUITE 137, RENO, NEVADA 89502

FILED AT THE REQUEST OF **Western Mining Corp.**  
 ON **June 14 1990** AT **11:35 AM** BY **John H. ...**  
 REGISTERED SURVEYOR, NEVADA  
 REB. NO. **111198** FEB 3, 1990

BEAN CLAIMS 271-386  
 LOCATED-APRIL 5-10, 1991