

R49E

4

3

2

1

9

10

11

12

T24N

Com Cor NR 62,63,91,&92 is on found section corner

16

15

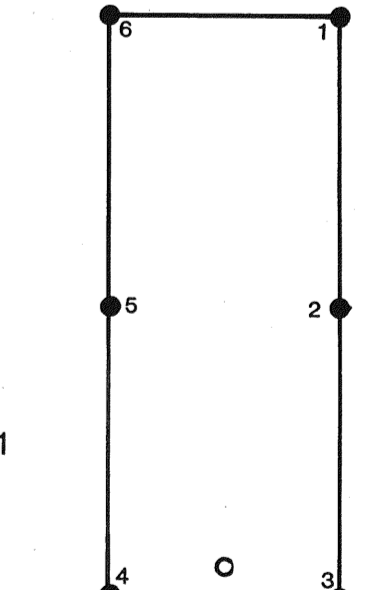
14

13

LOCATED AND OWNED BY :
Corona Gold Inc.
1375 Greg St. Suite 105
Sparks, Nevada 89431

LOCATION DATE
NR 1-177 11-19-91

TYPICAL CLAIM



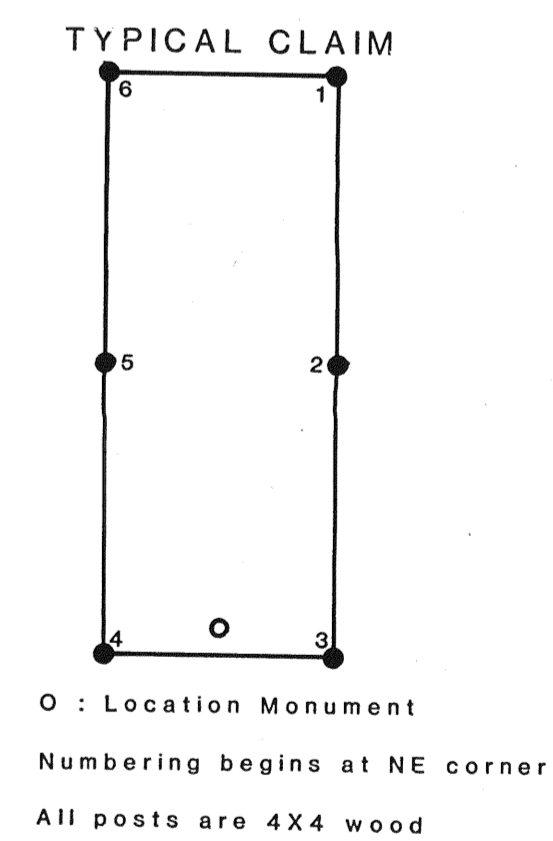
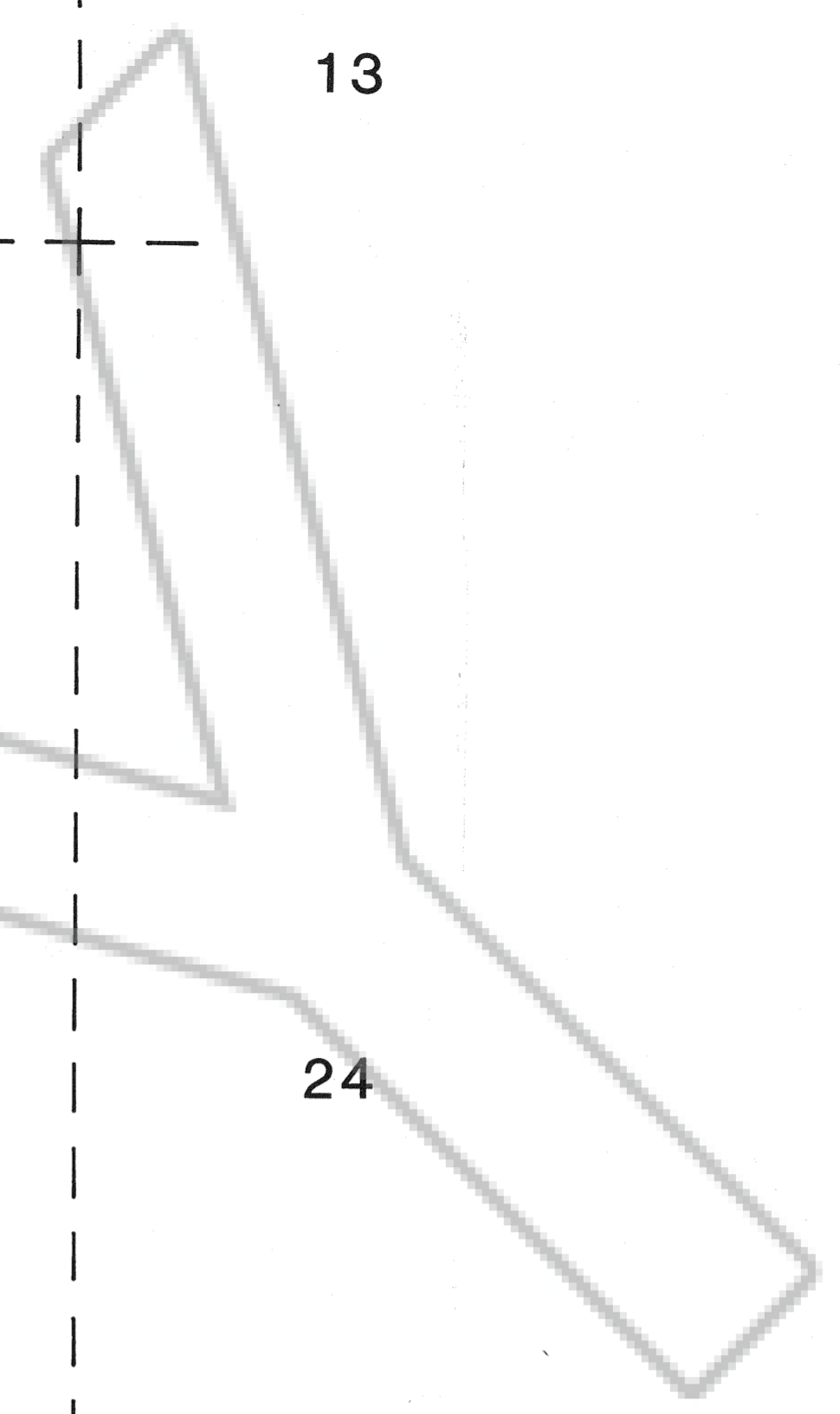
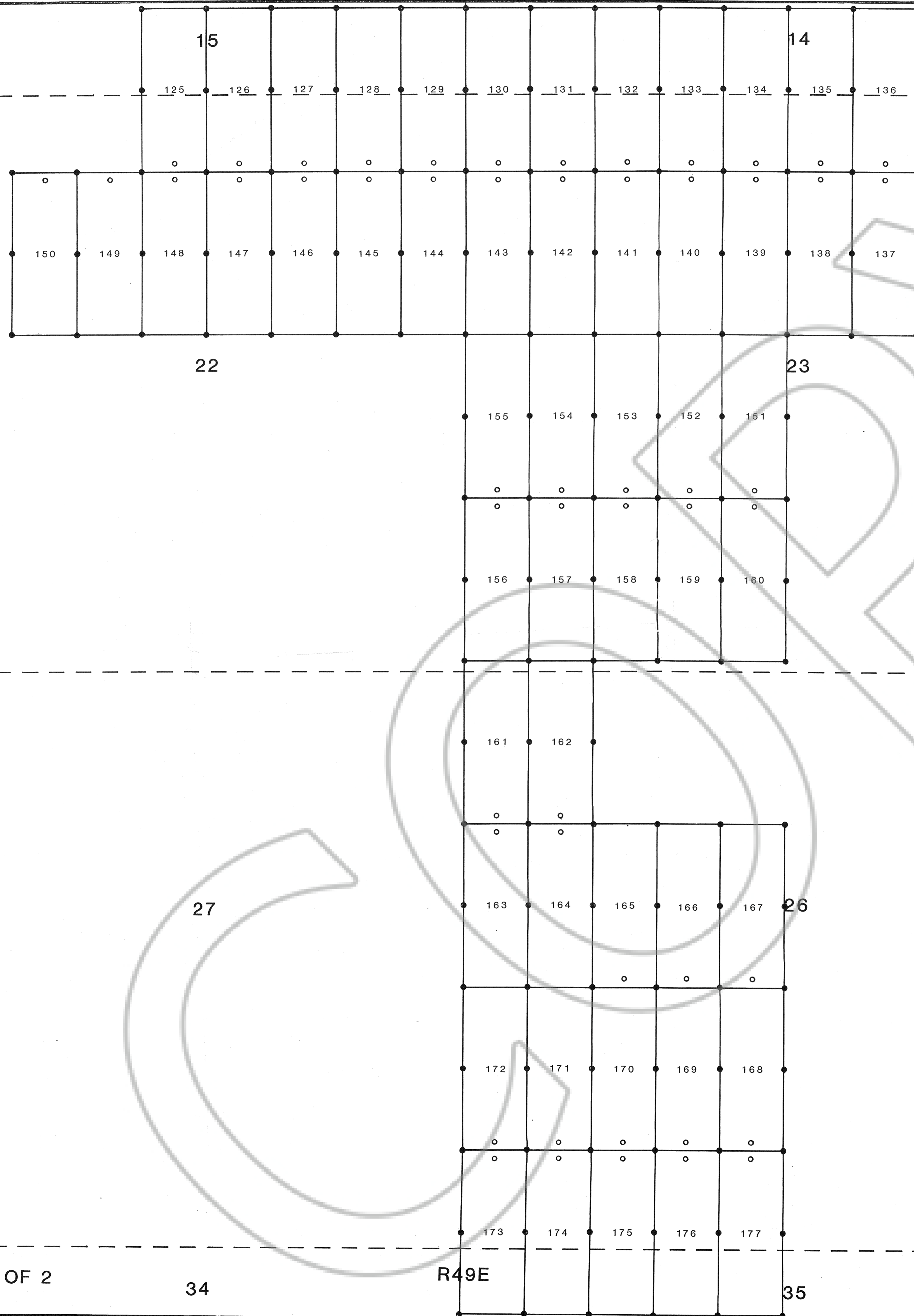
O : Location Monument
Numbering begins at NE corner
All posts are 4x4 wood

NR 1-177 LODE CLAIM GROUP
T24N R49E EUREKA COUNTY, NEVADA

SHEET 1 OF 2

FILED AT THE REQUEST OF *Corona Gold Inc.*
on *Jan 17* 19 *92*, at *20* mins. past *4:00* P.M.
RECORDS OF EUREKA COUNTY, NEVADA M. N. REBALEATI, Recorder
File No. *139696* Fee \$ *1800*

600 1000



LOCATED AND OWNED BY :
 Corona Gold Inc.
 1375 Greg St. Suite 105
 Sparks, Nevada 89431

LOCATION DATE
 NR 1-177 11-19-91

FILED AT THE REQUEST OF Corona Gold Inc.
 on Jan 17 1992, at 2:00 mins, past 4:00 P. M.
 RECORDS OF EUREKA COUNTY, NEVADA M. N. REBALEATI, Recorder
 File No. 139696 Fee \$ 7.95

NR 1-177 LODE CLAIM GROUP
 T24N R49E EUREKA COUNTY, NEVADA

