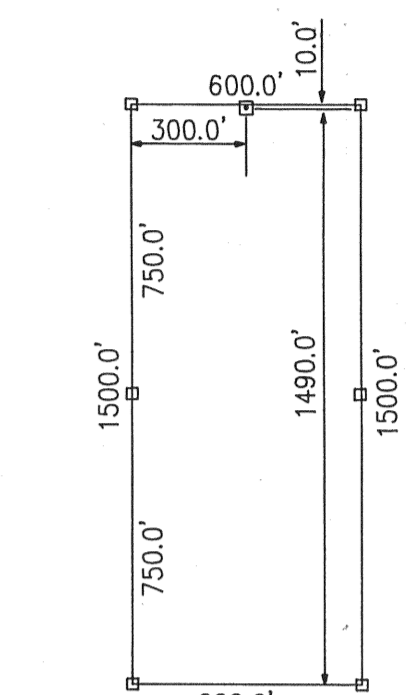
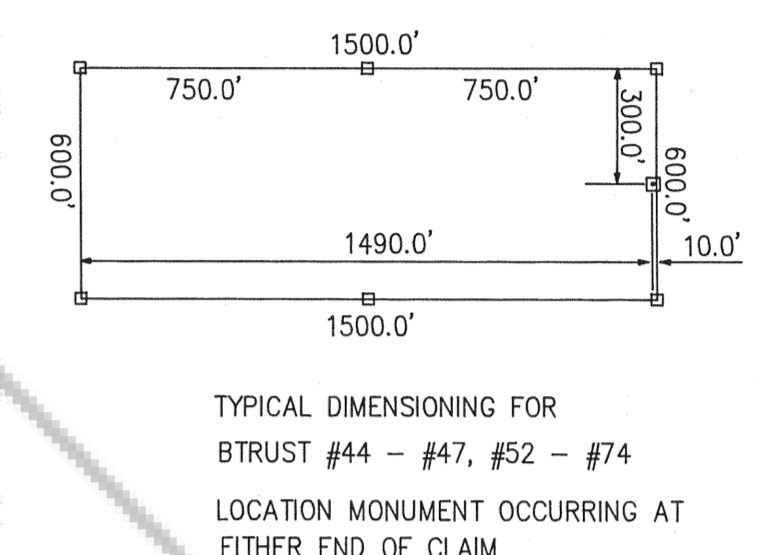
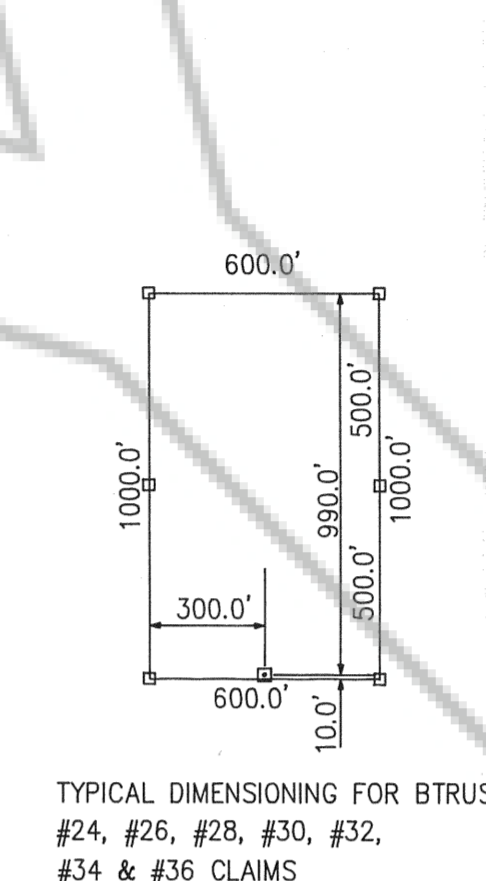


N
SCALE: 1" = 500'



LOCATION DATES
 NOVEMBER 26, 1991 - BTRUST #50 - #51
 NOVEMBER 27, 1991 - BTRUST #1 - #42, #52 - #74
 DECEMBER 3, 1991 - BRUST #44 - #49

LEGEND
 □ CORNER/SIDE CENTER MONUMENT
 4" X 4" WOOD POST
 □ LOCATION MONUMENT
 4" X 4" WOOD POST
 ⊗ FOUND STONE IN PLACE

LOCATOR:
 NEWMONT EXPLORATION LIMITED
 P.O. BOX 669
 CARLIN, NEVADA 89822

FILED AT THE REQUEST OF *Newmont Exploration Limited*
 ON *7/13* 19*92*, at *19* mins. Quot. *11* A.M.
 RECORDS OF EUREKA COUNTY, NEVADA W.N. REGALEATI, RECORDER
 File No. *139929* Fee \$ *285*

NEWMONT EXPLORATION LTD.
 P.O. Box 669
 Carlin, Nevada 89822 Telephone: (702) 776-4710
 Fax: (702) 776-4779

MAP OF
 BTRUST #1-#42, #44-#74 LODE CLAIMS
 T31N, R51E, MDM
 EUREKA COUNTY, NEVADA

139929