

EXHIBIT "A"

The following unpatented mining claims located in Eureka County, Nevada are owned by Newmont Gold Company, P.O. Box 669, Carlin, NV. 89822:

*****RECORDING DATA*****

NAME OF CLAIM/ AMENDED CLAIM NAME	COUNTY	ORIGINAL		AMENDED		BUREAU OF LAND MANAGEMENT SERIAL NUMBER	****LOCATION DESCRIPTION****			
		BOOK	PAGE	BOOK	PAGE		TNSP	RANGE	SEC	QTR
BEAST 1	EUREKA	222	084			622105	35N	50E	04	SW
BEAST 2	EUREKA	222	085			622106	35N	50E	04	SW
BEAST 3	EUREKA	222	086			622107	35N	50E	04	SW
BEAST 4	EUREKA	222	087			622108	35N	50E	04	SW
BEAST 5	EUREKA	222	088			622109	35N	50E	04	SW
BEAST 6	EUREKA	222	089			622110	35N	50E	04	SW
BEAST 7	EUREKA	222	090			622111	35N	50E	04	SE
BEAST 8	EUREKA	222	091			622112	35N	50E	04	SE
BEAST 9	EUREKA	222	092			622113	35N	50E	04	SE
BEAST 10	EUREKA	222	093			622114	35N	50E	04	SE
BEAST 11	EUREKA	222	094			622115	35N	50E	04	SE
BEAST 12	EUREKA	222	095			622116	35N	50E	04	SE
BEAST 13	EUREKA	222	096			622117	35N	50E	04	NW SW
BEAST 14	EUREKA	222	097			622118	35N	50E	04	NE NW SW SE
BEAST 15	EUREKA	222	098			622119	35N	50E	04	NE
BEAST 16	EUREKA	222	099			622120	35N	50E	04	NE SE
BEAST 17	EUREKA	222	100			622121	35N	50E	04	NE
BEAST 18	EUREKA	222	101			622122	35N	50E	04	NE SE
BEAST 19	EUREKA	222	102			622123	35N	50E	04	NE
BEAST 20	EUREKA	222	103			622124	35N	50E	04	NE SE
BEAST 21	EUREKA	222	104			622125	35N	50E	04	NE
BEAST 22	EUREKA	222	105			622126	35N	50E	04	NE SE

BOOK 236 PAGE 430

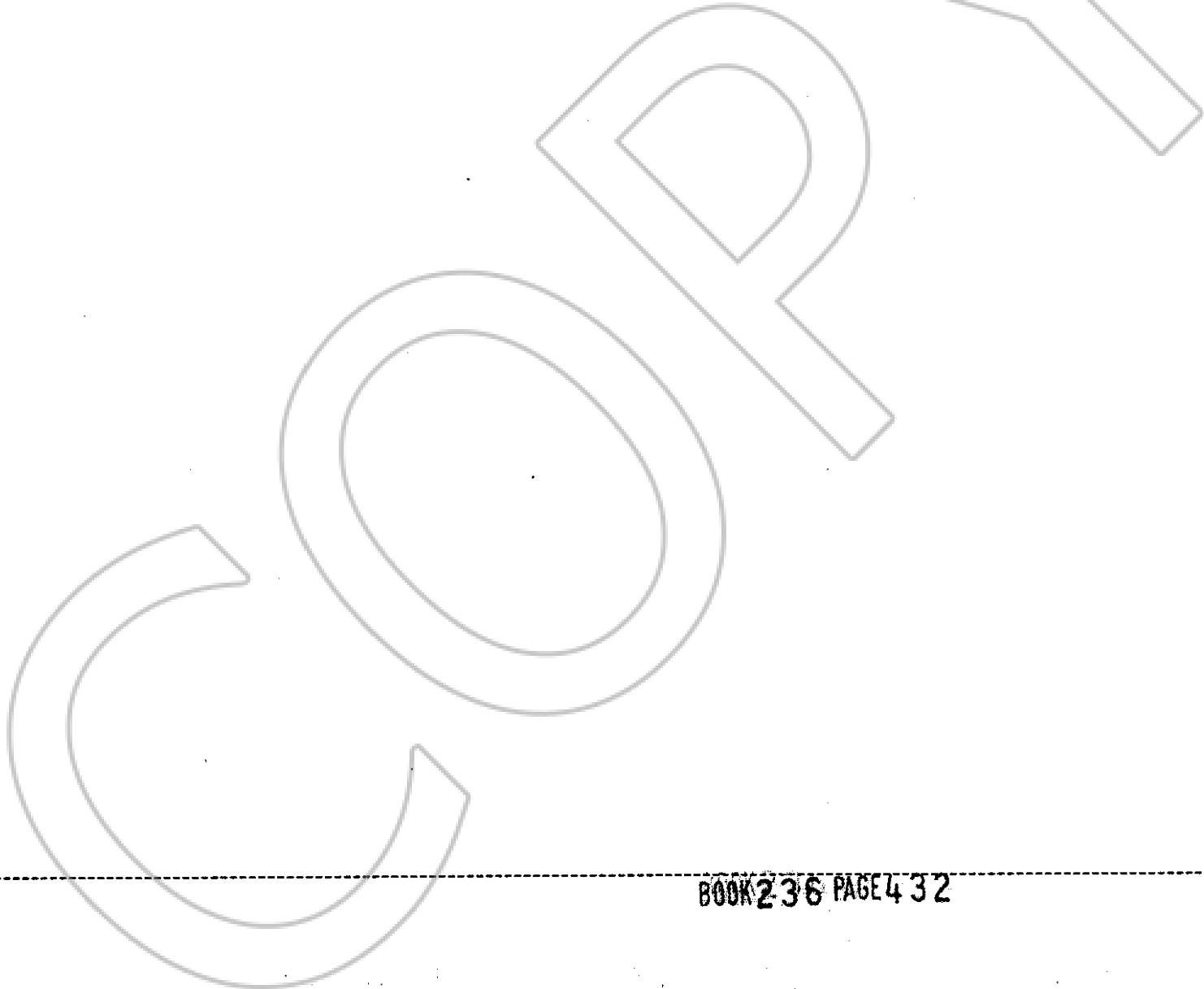
*****RECORDING DATA*****

NAME OF CLAIM/ AMENDED CLAIM NAME	COUNTY	ORIGINAL		AMENDED		BUREAU OF LAND	****LOCATION DESCRIPTION****			
		BOOK OR	PAGE DOCUMENT #	BOOK OR	PAGE DOCUMENT #	MANAGEMENT SERIAL NUMBER	TNSP	RANGE	SEC	QTR
BLUE STAR NO. 5 BLUE STAR - 5 - 1959	EUREKA	K	155	23	81	NMC 87062	35N	50E	4	NE
							35N			
BLUE STAR NO. 6 BLUE STAR - 6 - 1959	EUREKA	K	155	23	82	NMC 87063	35N	50E	4	NE
							35N			
BLUE STAR NO. 7 BLUE STAR - 7 - 1959	EUREKA	K	155	23	83	NMC 87064	35N	50E	4	NE
							35N			
BLUE STAR NO. 8 BLUE STAR - 8 - 1959	EUREKA	K	156	23	84	NMC 87065	35N	50E	4	NE
							35N			
BLUE STAR NO. 9 BLUE STAR - 9 - 1959	EUREKA	K	156	23	85	NMC 87066	35N	50E	4	NE SE
							35N			
BLUE STAR NO. 10 BLUE STAR - 10 - 1959	EUREKA	K	157	23	86	NMC 87067	35N	50E	4	NE SE
							35N			
BLUE STAR NO. 11 BLUE STAR - 11 - 1959	EUREKA	K	157	23	87	NMC 87068	35N	50E	4	NE SE
							35N			
BLUE STAR NO. 12 BLUE STAR - 12 - 1959	EUREKA	K	158	23	88	NMC 87069	35N	50E	4	NE SE
							35N			
BLUE STAR NO. 13 BLUE STAR - 13 - 1959	EUREKA	K	158	23	89	NMC 87070	35N	50E	4	NE NW SW SE
							35N			
BLUE STAR NO. 14 BLUE STAR - 14 - 1959	EUREKA	K	158	23	90	NMC 87071	35N	50E	4	NW SW
							35N			
BLUE STAR NO. 24 BLUE STAR - 24 - 1959	EUREKA	K	161	23	100	NMC 87075	35N	50E	4	SE
							35N			
BLUE STAR NO. 25 BLUE STAR - 25 - 1959	EUREKA	K	162	23	101	NMC 87076	35N	50E	4	SE
							35N			
BLUE STAR NO. 26 BLUE STAR - 26 - 1959	EUREKA	K	162	23	102	NMC 87077	35N	50E	4	SE
							35N			

BOOK 236 PAGE 431

*****RECORDING DATA*****

NAME OF CLAIM/ AMENDED CLAIM NAME	COUNTY	ORIGINAL		AMENDED		BUREAU OF LAND MANAGEMENT SERIAL NUMBER	****LOCATION DESCRIPTION****			
		BOOK	PAGE	BOOK	PAGE		TNSP	RANGE	SEC	QTR
CHICAGO NO. 2	EUREKA	6	84			NMC 70680	T35N	50E	4	SE
CHICAGO NO. 3	EUREKA	6	85			NMC 70681	T35N	50E	4	SW SE
CHICAGO NO. 4	EUREKA	6	86			NMC 70682	T35N	50E	4	SW
CHICAGO NO. 7	EUREKA	6	89			NMC 70683	T35N	50E	4	SW
CHICAGO NO. 8	EUREKA	6	90			NMC 70684	T35N	50E	4	SW SE
CHICAGO NO. 9	EUREKA	6	91			NMC 70685	T35N	50E	4	SE



BOOK 236 PAGE 432

*****RECORDING DATA*****

NAME OF CLAIM/ AMENDED CLAIM NAME	COUNTY	ORIGINAL		AMENDED		BUREAU OF LAND	****LOCATION DESCRIPTION****			
		BOOK	PAGE	BOOK	PAGE	MANAGEMENT	TNSP	RANGE	SEC	QTR
		OR	DOCUMENT #	OR	DOCUMENT #	SERIAL NUMBER				
BLUE STAR NO. 18 BLUE STAR - 18 - 1959	EUREKA	K	160	23	97	NMC 87072	35N 35N	50E	4	SW
BLUE STAR NO. 19 BLUE STAR - 19 - 1959	EUREKA	K	161	23	98	NMC 87073	35N 35N	50E	4	SW
BLUE STAR NO. 20 BLUE STAR - 20 - 1959	EUREKA	K	161	23	99	NMC 87074	35N 35N	50E	4	SW

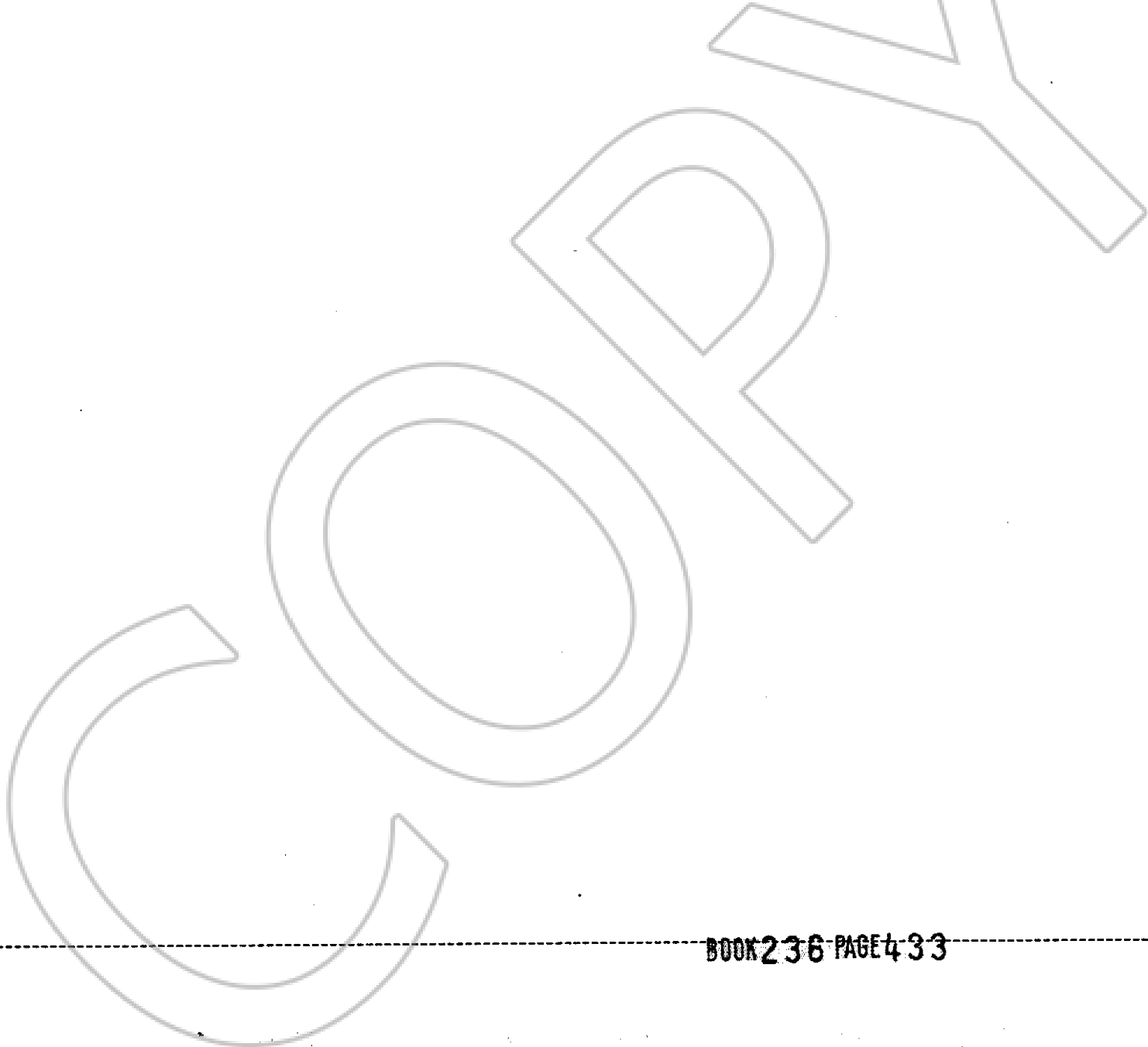


EXHIBIT "B"

The following unpatented mining claims located in Eureka County, Nevada are owned by Newmont Exploration Limited, P.O. Box 669, Carlin, NV. 89822:

*****RECORDING DATA*****

NAME OF CLAIM/ AMENDED CLAIM NAME	COUNTY	ORIGINAL		AMENDED		BUREAU OF LAND	****LOCATION DESCRIPTION****		
		BOOK	PAGE	BOOK	PAGE	MANAGEMENT	TNSP	RANGE	SEC QTR
		OR	DOCUMENT #	OR	DOCUMENT #	SERIAL NUMBER			
BLUE STAR - 33 - 1959	EUREKA	K	164	23	106	NMC 87081	35N	50E	4
BLUE STAR - 34 - 1959	EUREKA	K	164	23	107	NMC 87082	35N	50E	4
BLUE STAR - 35 - 1959	EUREKA	K	165	23	108	NMC 87083	35N	50E	4
BLUE STAR - 27 - 1959	EUREKA	K	162	23	103	NMC 87078	35N	50E	4
BLUE STAR - 28 - 1959	EUREKA	K	163	23	104	NMC 87079	35N	50E	4
BLUE STAR - 29 - 1959	EUREKA	K	164	23	105	NMC 87080	35N	50E	4

BOOK 236 PAGE 429
 OFFICIAL RECORDS
 RECORDED AT THE REQUEST OF
Newmont Gold Co.
 '92 JUL 17 P1:04

EUREKA COUNTY, NEVADA
 M.N. REBALEATI, RECORDER
 FILE NO. FEE \$87.50

141595

BOOK 236 PAGE 434