

) STATE OF NEVADA
)
) ss.
) COUNTY OF ELKO

THE Undersigned, Deborah L. Goetz, Senior Landman, NEWMONT EXPLORATION LIMITED, P.O. Box 669, Carlin, Nevada 89822, does hereby swear and affirm under the penalties of perjury that the assertions of the Affidavit are true and correct, and that at least ONE HUNDRED AND 00/100 DOLLARS (\$100.00) per claim was expended for development, labor and improvements, or equivalent value added, as the annual assessment work for the assessment year ending September 1, 1992, for the unpatented mining claims(s) described in the attached Exhibit "A", hereto.

The work consisted of road and pad construction and drilling. The work described above was performed at the following locations: KAY 1-4, 11, 12, BOB 63 & 65, BRAVO 15, 30-33, ALPHA 157, 159, 166-168, 180, 181, KAY 11, ALPHA 181.

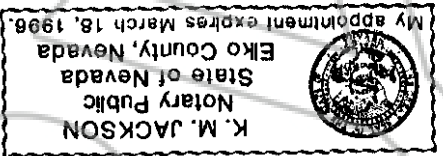
Said work was performed between OCTOBER 21, 1991 and JUNE 2, 1992. A total of more than ONE HUNDRED AND SIX THOUSAND NINE HUNDRED AND SIXTY SIX DOLLARS & 75/100 (\$106,966.75) was expended in performing the work, or equivalent value added. The work was performed by LEGARZA EXPLORATION and O'KEEFE DRILLING.

All of the aforesaid unpatented mining claims are part of a contiguous property owned by NEWMONT EXPLORATION LIMITED ("Newmont") or controlled by Newmont pursuant to an agreement between Newmont and Newmont Gold Company, and work on the property tends to develop all the claims. The work was performed for the purpose of developing the mineral potential of the claims and to maintain and hold such claims.

Dated this 29th day of September, 1992.

By: Deborah L. Goetz
Deborah L. Goetz, CPL

Subscribed and sworn to before me this 30th day of Sept., 1992.



K.M. JACKSON
Notary Public

*
*
*
*
*
*
*
*
*
*
*
*
*
*
*
*
*
*
*
*
*

*****RECORDING DATA*****

NAME OF CLAIM/ AMENDED CLAIM NAME	COUNTY	OR DOCUMENT #	OR DOCUMENT #	AMENDED BOOK PAGE	OR DOCUMENT #	SERIAL NUMBER	TNSP	RANGE	SEC	QTR
--------------------------------------	--------	------------------	------------------	----------------------	------------------	---------------	------	-------	-----	-----

BRAVO 1	EUREKA	233	521		NMC	647055	31N	49E		4
---------	--------	-----	-----	--	-----	--------	-----	-----	--	---

BRAVO 2	EUREKA	233	520		NMC	647056	31N	49E		10
---------	--------	-----	-----	--	-----	--------	-----	-----	--	----

BRAVO 3	EUREKA	233	519		NMC	647057	31N	49E		10
---------	--------	-----	-----	--	-----	--------	-----	-----	--	----

BRAVO 4	EUREKA	233	518		NMC	647058	31N	49E		10
---------	--------	-----	-----	--	-----	--------	-----	-----	--	----

BRAVO 5	EUREKA	233	517		NMC	647059	31N	49E		10
---------	--------	-----	-----	--	-----	--------	-----	-----	--	----

BRAVO 6	EUREKA	233	516		NMC	647060	31N	49E		10
---------	--------	-----	-----	--	-----	--------	-----	-----	--	----

BRAVO 7	EUREKA	233	515		NMC	647061	31N	49E		10
---------	--------	-----	-----	--	-----	--------	-----	-----	--	----

BRAVO 8	EUREKA	233	514		NMC	647062	31N	49E		10
---------	--------	-----	-----	--	-----	--------	-----	-----	--	----

BRAVO 9	EUREKA	233	513		NMC	647063	31N	49E		10
---------	--------	-----	-----	--	-----	--------	-----	-----	--	----

BRAVO 10	EUREKA	233	512		NMC	647064	31N	49E		2
----------	--------	-----	-----	--	-----	--------	-----	-----	--	---

BRAVO 11	EUREKA	233	511		NMC	647065	31N	49E		2
----------	--------	-----	-----	--	-----	--------	-----	-----	--	---

BRAVO 12	EUREKA	233	510		NMC	647066	31N	49E		2
----------	--------	-----	-----	--	-----	--------	-----	-----	--	---

BRAVO 13	EUREKA	233	509		NMC	647067	31N	49E		2
----------	--------	-----	-----	--	-----	--------	-----	-----	--	---

BRAVO 14	EUREKA	233	508		NMC	647068	31N	49E		2
----------	--------	-----	-----	--	-----	--------	-----	-----	--	---

BRAVO 15	EUREKA	233	507		NMC	647069	31N	49E		2
----------	--------	-----	-----	--	-----	--------	-----	-----	--	---

BRAVO 16	EUREKA	233	506		NMC	647070	31N	49E		2
----------	--------	-----	-----	--	-----	--------	-----	-----	--	---

BRAVO 17	EUREKA	233	505		NMC	647071	31N	49E		2
----------	--------	-----	-----	--	-----	--------	-----	-----	--	---

BRAVO 18	EUREKA	233	504		NMC	647072	31N	49E		2
----------	--------	-----	-----	--	-----	--------	-----	-----	--	---

BRAVO 19	EUREKA	233	503		NMC	647073	31N	49E		2
----------	--------	-----	-----	--	-----	--------	-----	-----	--	---

BRAVO 20	EUREKA	233	502		NMC	647074	31N	49E		2
----------	--------	-----	-----	--	-----	--------	-----	-----	--	---

BRAVO 21	EUREKA	233	501		NMC	647075	31N	49E		2
----------	--------	-----	-----	--	-----	--------	-----	-----	--	---

BRAVO 22	EUREKA	233	500		NMC	647076	31N	49E		2
----------	--------	-----	-----	--	-----	--------	-----	-----	--	---

BOOK 240 PAGE 581

22

*****RECORDING DATA*****

NAME OF CLAIM/ AMENDED CLAIM NAME	COUNTY	OR DOCUMENT #	OR DOCUMENT #	AMENDED BOOK PAGE	OR DOCUMENT #	BUREAU OF LAND MANAGEMENT	SERIAL NUMBER	TNSP RANGE	SEC QTR
--------------------------------------	--------	------------------	------------------	----------------------	------------------	------------------------------	---------------	---------------	---------

BRAVO 23	EUREKA	233	499	NMC 647077	31N	49E	2
BRAVO 24	EUREKA	233	498	NMC 647078	31N	49E	2
BRAVO 25	EUREKA	233	497	NMC 647079	31N	49E	2
BRAVO 26	EUREKA	233	496	NMC 647080	31N	49E	2
BRAVO 27	EUREKA	233	495	NMC 647081	31N	49E	2
BRAVO 28	EUREKA	233	494	NMC 647082	31N	49E	2
BRAVO 29	EUREKA	233	493	NMC 647083	31N	49E	2
BRAVO 30	EUREKA	233	492	NMC 647084	31N	49E	2
BRAVO 31	EUREKA	233	491	NMC 647085	31N	49E	2
BRAVO 32	EUREKA	233	490	NMC 647086	31N	49E	2
BRAVO 33	EUREKA	233	489	NMC 647087	31N	49E	2
BRAVO 34	EUREKA	233	488	NMC 647088	31N	49E	2
BRAVO 35	EUREKA	233	487	NMC 647089	31N	49E	2
BRAVO 36	EUREKA	233	486	NMC 647090	31N	49E	2
BRAVO 37	EUREKA	233	485	NMC 647091	31N	49E	2
BRAVO 38	EUREKA	233	484	NMC 647092	31N	49E	2
BRAVO 39	EUREKA	233	483	NMC 647093	31N	49E	2
BRAVO 40	EUREKA	233	482	NMC 647094	31N	49E	2
BRAVO 41	EUREKA	233	481	NMC 647095	31N	49E	2
BRAVO 42	EUREKA	233	480	NMC 647096	31N	49E	2
BRAVO 43	EUREKA	233	479	NMC 647097	31N	49E	2
BRAVO 44	EUREKA	233	478	NMC 647098	31N	49E	2

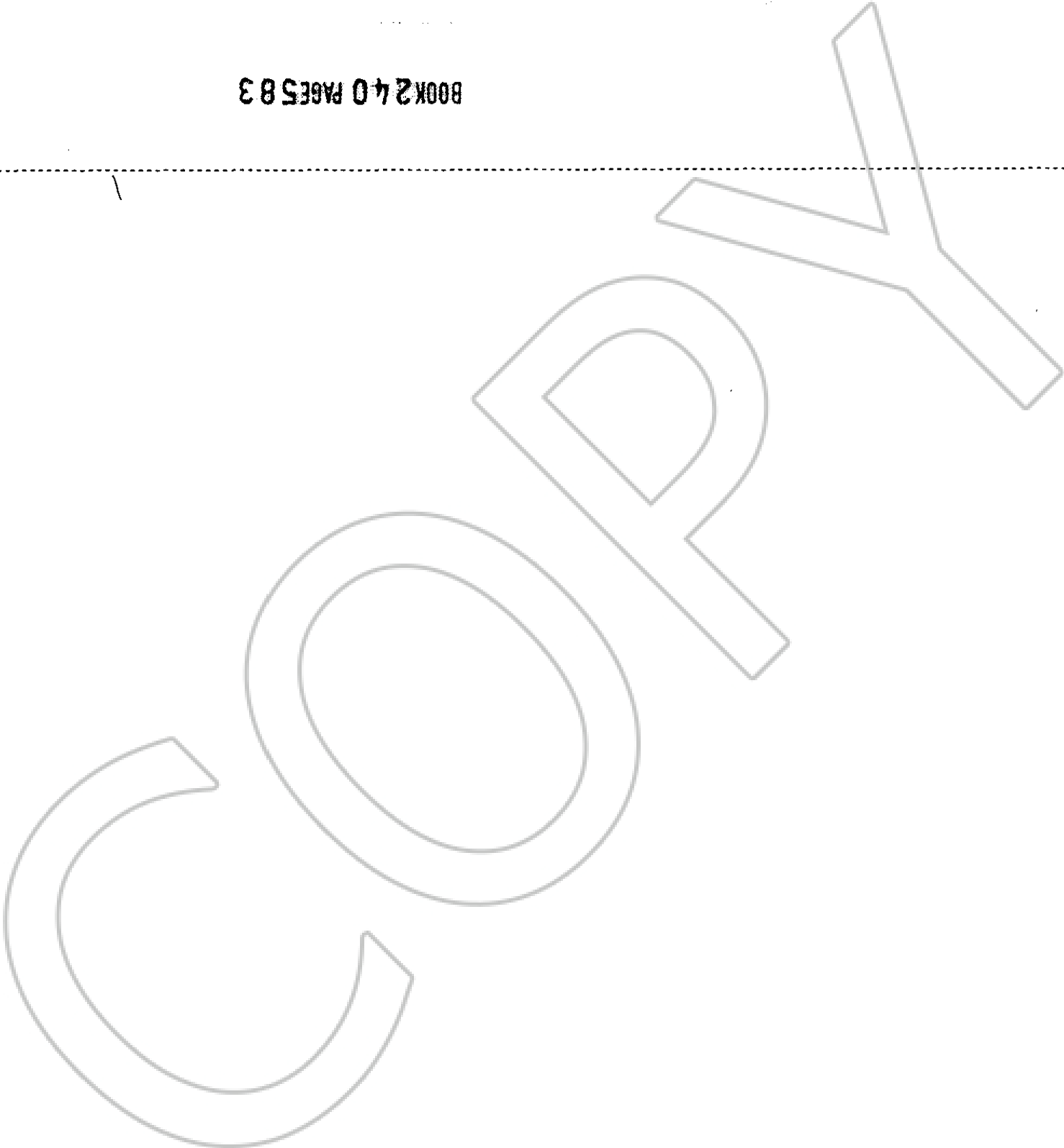
BOOK 240 PAGES 82

cc

*****RECORDING DATA*****

NAME OF CLAIM/ AMENDED CLAIM NAME	COUNTY	OR DOCUMENT #	OR DOCUMENT #	SERIAL NUMBER	TNSP	RANGE	SEC QTR
BRAVO 45	EUREKA	233	477	NMC 647099	31N	49E	2
					32N	49E	36

*****LOCATION DESCRIPTION*****
 BUREAU OF LAND
 AMENDED
 ORIGINAL
 BOOK PAGE
 BOOK PAGE
 MANAGEMENT



BOOK 240 PAGES 83

*****RECORDING DATA*****

NAME OF CLAIM/ AMENDED CLAIM NAME	COUNTY	OR DOCUMENT # BOOK PAGE	OR DOCUMENT # BOOK PAGE	AMENDED BUREAU OF LAND MANAGEMENT	SERIAL NUMBER	TNSP RANGE SEC QTR
--------------------------------------	--------	----------------------------	----------------------------	---	---------------	--------------------

KAY 1	EUREKA	145	438	NMC 369295	32N	49E 26
KAY 2	EUREKA	145	439	NMC 369296	32N	49E 26
KAY 3	EUREKA	145	440	NMC 369297	32N	49E 26
KAY 4	EUREKA	145	441	NMC 369298	32N	49E 26
KAY 5	EUREKA	145	442	NMC 369299	32N	49E 26
KAY 6	EUREKA	145	443	NMC 369300	32N	49E 26
KAY 7	EUREKA	145	444	NMC 369301	32N	49E 26
KAY 8	EUREKA	145	445	NMC 369302	32N	49E 26
KAY 9	EUREKA	145	446	NMC 369303	32N	49E 26
KAY 10	EUREKA	145	447	NMC 369304	32N	49E 26
KAY 11	EUREKA	145	448	NMC 369305	32N	49E 26
KAY 12	EUREKA	145	449	NMC 369306	32N	49E 26
KAY 13	EUREKA	145	450	NMC 369307	32N	49E 26
KAY 14	EUREKA	145	451	NMC 369308	32N	49E 26
KAY 15	EUREKA	145	452	NMC 369309	32N	49E 26
KAY 16	EUREKA	145	453	NMC 369310	32N	49E 26
KAY 17	EUREKA	145	454	NMC 369311	32N	49E 26
KAY 18	EUREKA	145	455	NMC 369312	32N	49E 26
FLP 1	EUREKA	152	585	NMC 386620	32N	49E 26
FLP 2	EUREKA	152	586	NMC 386621	32N	49E 26
FLP 3	EUREKA	152	587	NMC 386622	32N	49E 26

BOOK 240 PAGE 584

21

*****RECORDING DATA*****

NAME OF CLAIM/ AMENDED CLAIM NAME	COUNTY	OR DOCUMENT # OR DOCUMENT #	BOOK PAGE OR BOOK PAGE	AMENDED BUREAU OF LAND MANAGEMENT	SERIAL NUMBER	TNSP RANGE SEC QTR
--------------------------------------	--------	--------------------------------	---------------------------	---	---------------	--------------------

FLP 4	EUREKA	152	588	NMC 386623	32N	49E 26
FLP 5	EUREKA	152	589	NMC 386624	32N	49E 26
FLP 6	EUREKA	152	590	NMC 386625	32N	49E 26
FLP 7	EUREKA	152	591	NMC 386626	32N	49E 26
FLP 8	EUREKA	152	592	NMC 386627	32N	49E 26
FLP 9	EUREKA	152	593	NMC 386628	32N	49E 26
FLP 20	EUREKA	152	594	NMC 386629	32N	49E 26
FLP 21	EUREKA	152	595	NMC 386630	32N	49E 26
BOB 43	EUREKA	165	560	NMC 444283	32N	49E 36
BOB 44	EUREKA	165	561	NMC 444284	32N	49E 36
BOB 45	EUREKA	165	562	NMC 444285	32N	49E 36
BOB 46	EUREKA	165	563	NMC 444286	32N	49E 36
BOB 47	EUREKA	165	564	NMC 444287	32N	49E 36
BOB 48	EUREKA	165	565	NMC 444288	32N	49E 36
BOB 49	EUREKA	165	566	NMC 444289	32N	49E 36
BOB 50	EUREKA	165	567	NMC 444290	32N	49E 36
BOB 51	EUREKA	165	568	NMC 444291	32N	49E 36
BOB 52	EUREKA	165	569	NMC 444292	32N	49E 36
BOB 53	EUREKA	165	570	NMC 444293	32N	49E 36

BOOK 240 PAGES 85

19

*****RECORDING DATA*****

NAME OF CLAIM/ AMENDED CLAIM NAME	COUNTY	OR DOCUMENT #	OR DOCUMENT #	BOOK PAGE	BOOK PAGE	AMENDED	BUREAU OF LAND MANAGEMENT	SERIAL NUMBER	INSP	RANGE	SEC	QTR
--------------------------------------	--------	---------------	---------------	-----------	-----------	---------	------------------------------	---------------	------	-------	-----	-----

BOB 54	EUREKA	165	571	165	572	NMC 444294	32N	49E	34			
--------	--------	-----	-----	-----	-----	------------	-----	-----	----	--	--	--

BOB 55	EUREKA	165	572	165	573	NMC 444295	32N	49E	34			
--------	--------	-----	-----	-----	-----	------------	-----	-----	----	--	--	--

BOB 56	EUREKA	165	573	165	574	NMC 444296	32N	49E	34			
--------	--------	-----	-----	-----	-----	------------	-----	-----	----	--	--	--

BOB 57	EUREKA	165	574	165	575	NMC 444297	32N	49E	34			
--------	--------	-----	-----	-----	-----	------------	-----	-----	----	--	--	--

BOB 58	EUREKA	165	575	165	576	NMC 444298	32N	49E	34			
--------	--------	-----	-----	-----	-----	------------	-----	-----	----	--	--	--

BOB 59	EUREKA	165	576	165	577	NMC 444299	32N	49E	34			
--------	--------	-----	-----	-----	-----	------------	-----	-----	----	--	--	--

BOB 60	EUREKA	165	577	165	578	NMC 444300	32N	49E	34			
--------	--------	-----	-----	-----	-----	------------	-----	-----	----	--	--	--

BOB 61	EUREKA	165	578	165	579	NMC 444301	32N	49E	34			
--------	--------	-----	-----	-----	-----	------------	-----	-----	----	--	--	--

BOB 62	EUREKA	165	579	165	580	NMC 444302	32N	49E	34			
--------	--------	-----	-----	-----	-----	------------	-----	-----	----	--	--	--

BOB 63	EUREKA	165	580	165	581	NMC 444303	32N	49E	34			
--------	--------	-----	-----	-----	-----	------------	-----	-----	----	--	--	--

BOB 64	EUREKA	165	581	165	582	NMC 444304	32N	49E	34			
--------	--------	-----	-----	-----	-----	------------	-----	-----	----	--	--	--

BOB 65	EUREKA	165	582	165	583	NMC 444305	32N	49E	34			
--------	--------	-----	-----	-----	-----	------------	-----	-----	----	--	--	--

BOB 66	EUREKA	165	583	165	584	NMC 444306	32N	49E	34			
--------	--------	-----	-----	-----	-----	------------	-----	-----	----	--	--	--

BOB 67	EUREKA	165	584	165	585	NMC 444307	32N	49E	34			
--------	--------	-----	-----	-----	-----	------------	-----	-----	----	--	--	--

BOB 68	EUREKA	165	585	165	586	NMC 444308	32N	49E	34			
--------	--------	-----	-----	-----	-----	------------	-----	-----	----	--	--	--

BOB 69	EUREKA	165	586	165	587	NMC 444309	32N	49E	34			
--------	--------	-----	-----	-----	-----	------------	-----	-----	----	--	--	--

BOB 70	EUREKA	165	587	165	588	NMC 444310	32N	49E	34			
--------	--------	-----	-----	-----	-----	------------	-----	-----	----	--	--	--

BOB 71	EUREKA	165	588	165	589	NMC 444311	32N	49E	34			
--------	--------	-----	-----	-----	-----	------------	-----	-----	----	--	--	--

BOB 72	EUREKA	165	589	165	590	NMC 444312	32N	49E	34			
--------	--------	-----	-----	-----	-----	------------	-----	-----	----	--	--	--

BOB 73	EUREKA	165	590	165	591	NMC 444313	32N	49E	34			
--------	--------	-----	-----	-----	-----	------------	-----	-----	----	--	--	--

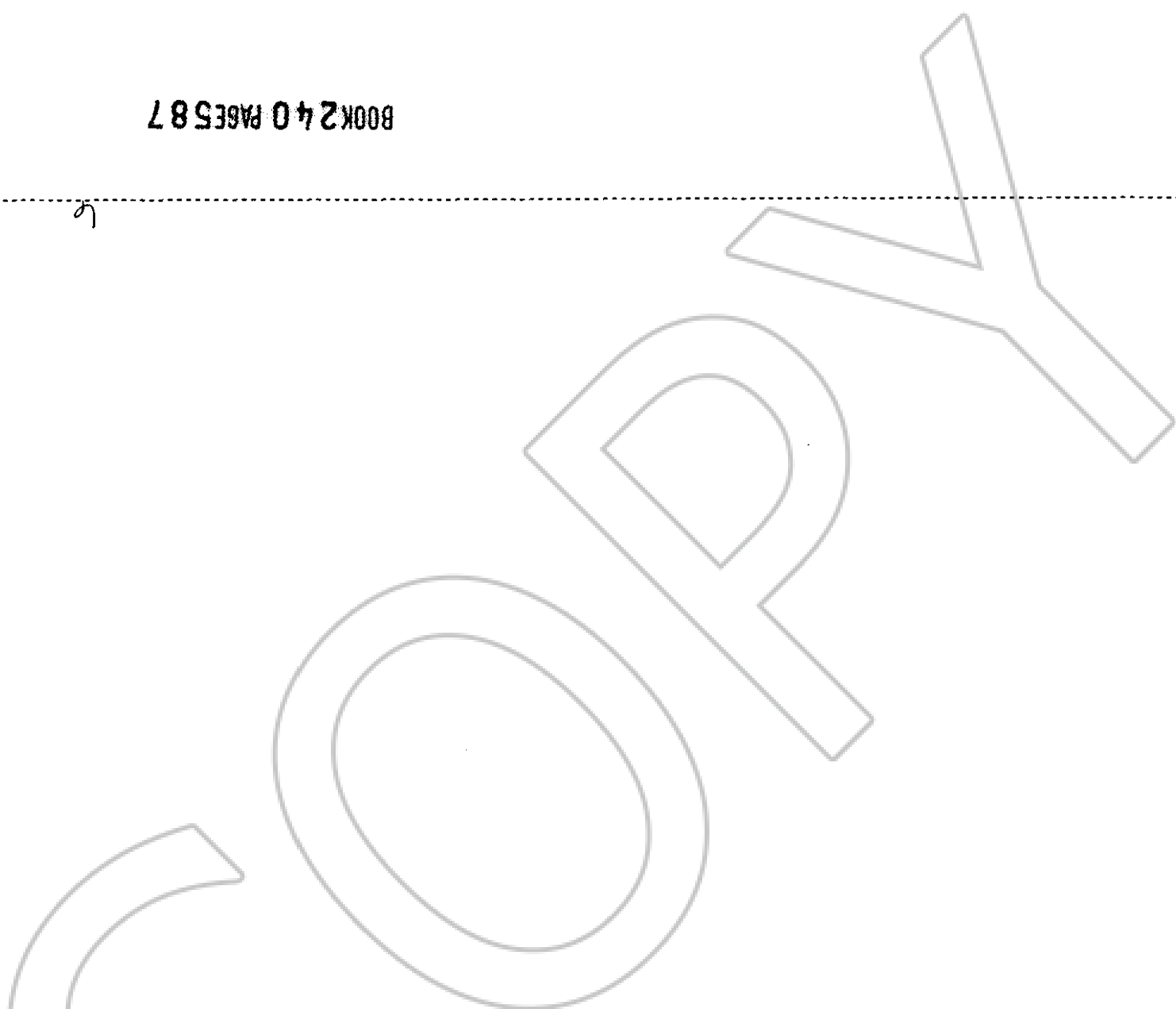
BOB 74	EUREKA	165	591	165	592	NMC 444314	32N	49E	34			
--------	--------	-----	-----	-----	-----	------------	-----	-----	----	--	--	--

BOOK 240 PAGES 86

21

*****RECORDING DATA*****

NAME OF CLAIM/ AMENDED CLAIM NAME	COUNTY	OR DOCUMENT # BOOK PAGE	OR DOCUMENT # BOOK PAGE	BUREAU OF LAND MANAGEMENT	SERIAL NUMBER	TNSP RANGE	SEC QTR
BOB 75	EUREKA	165 592	NMC 445315	32N	49E	34	
BOB 76	EUREKA	165 593	NMC 445316	32N	49E	34	
BOB 77	EUREKA	165 594	NMC 445317	32N	49E	34	
BOB 78	EUREKA	165 595	NMC 445318	32N	49E	34	
BCL 1	EUREKA	214 435	NMC 606273	32N	49E	26	
BCL 2	EUREKA	214 436	NMC 606274	32N	49E	26	



BOOK 240 PAGES 87

5

*****RECORDING DATA*****

AMENDED CLAIM/	ORIGINAL	AMENDED	BUREAU OF LAND	MANAGEMENT	***LOCATION DESCRIPTION***
AMENDED CLAIM NAME	BOOK PAGE	BOOK PAGE	SERIAL NUMBER	TNSP	RANGE SEC QTR
COUNTY	OR DOCUMENT #	OR DOCUMENT #			

ALPHA 154	EUREKA	221	390	NMC 621708	31N	49E	04	SE
ALPHA 155	EUREKA	221	391	NMC 621709	31N	49E	04	SE
ALPHA 156	EUREKA	221	392	NMC 621710	31N	49E	04	SE
ALPHA 157	EUREKA	221	393	NMC 621711	31N	49E	04	SE
ALPHA 158	EUREKA	221	394	NMC 621712	31N	49E	04	SE
ALPHA 159	EUREKA	221	395	NMC 621713	31N	49E	04	SE
ALPHA 160	EUREKA	221	396	NMC 621714	31N	49E	04	SE
ALPHA 161	EUREKA	221	397	NMC 621715	31N	49E	04	SE
ALPHA 162	EUREKA	221	398	NMC 621716	31N	49E	04	SE
ALPHA 163	EUREKA	221	399	NMC 621717	31N	49E	04	SM SE
ALPHA 164	EUREKA	221	400	NMC 621718	31N	49E	04	SM
ALPHA 165	EUREKA	221	401	NMC 621719	31N	49E	04	SM
ALPHA 166	EUREKA	221	402	NMC 621720	31N	49E	04	NE
ALPHA 167	EUREKA	221	403	NMC 621721	31N	49E	04	NE
ALPHA 168	EUREKA	221	404	NMC 621722	31N	49E	04	NE
ALPHA 169	EUREKA	221	405	NMC 621723	31N	49E	04	NE
ALPHA 170	EUREKA	221	406	NMC 621724	31N	49E	04	NE
ALPHA 171	EUREKA	221	407	NMC 621725	31N	49E	04	NE
ALPHA 172	EUREKA	221	408	NMC 621726	31N	49E	04	NE
ALPHA 173	EUREKA	221	409	NMC 621727	31N	49E	04	NE
ALPHA 174	EUREKA	221	410	NMC 621728	31N	49E	04	NE NN
ALPHA 175	EUREKA	221	411	NMC 621729	31N	49E	04	NE NN

BOOK 240 PAGES 88

66

*****RECORDING DATA*****

NAME OF CLAIM/ AMENDED CLAIM NAME	COUNTY	OR DOCUMENT #	OR DOCUMENT #	BOOK PAGE	BOOK PAGE	AMENDED	BUREAU OF LAND MANAGEMENT	SERIAL NUMBER	TNSP	RANGE	SEC	QTR
--------------------------------------	--------	---------------	---------------	-----------	-----------	---------	------------------------------	---------------	------	-------	-----	-----

ALPHA 176	EUREKA	221	412	NMC 621750	31N	49E	04	NW				
ALPHA 177	EUREKA	221	413	NMC 621731	31N	49E	04	NW				
ALPHA 178	EUREKA	221	414	NMC 621732	31N	49E	04	NW				
ALPHA 179	EUREKA	221	415	NMC 621733	31N	49E	04	NW				
ALPHA 180	EUREKA	221	416	NMC 621734	31N	49E	04	NW				
ALPHA 181	EUREKA	221	417	NMC 621735	31N	49E	04	NW				
ALPHA 182	EUREKA	221	418	NMC 621736	32N	49E	26	SE				
ALPHA 183	EUREKA	221	419	NMC 621737	32N	49E	26	SE				
ALPHA 184	EUREKA	221	420	NMC 621738	32N	49E	26	NE				
ALPHA 185	EUREKA	221	421	NMC 621739	32N	49E	26	NE				

BOOK 240 PAGE 580
 OFFICIAL RECORDS
 RECORDED AT THE REQUEST OF
Mormont Exploration
 92 OCT 21 AM 1:14
 EUREKA COUNTY, NEVADA
 M.N. REBAL EATI. RECORDER
 FILE NO. 142861
 FEE \$ 252.00

BOOK 240 PAGE 589

