

STATE OF NEVADA )  
) ss. )  
COUNTY OF ELKO )

THE Undersigned, Deborah L. Goetz, Senior Landman, NEWMONT EXPLORATION LIMITED, P.O. Box 669, Carlin, Nevada 89822, does hereby swear and affirm under the penalties of perjury that the assertions of the Affidavit are true and correct, and that at least ONE HUNDRED AND 00/100 DOLLARS (\$100.00) per claim was expended for development, labor and improvements, or equivalent value added, as the annual assessment work for the assessment year ending September 1, 1992, for the unpatented mining claims(s) described in the attached Exhibit "A", hereto.

The work consisted of reverse circulation drilling and cat work. The work described above was performed at the following locations: BEAVER #77-79, COYOTE 33-35,38, JACK 22, 112. Said work was performed between JULY 16, 1992 and AUGUST 2, 1992. A total of more than FORTY FIVE THOUSAND ONE HUNDRED AND TWELVE DOLLARS & 00/100 (\$45,112.00) was expended in performing the work, or equivalent value added. The work was performed by LEGARZA EXPLORATION and O'KEEFE DRILLING.

All of the aforesaid unpatented mining claims are part of a contiguous property owned by NEWMONT EXPLORATION LIMITED ("Newmont") or controlled by Newmont pursuant to an agreement between Newmont and Newmont gold company, and work on the property tends to develop all the claims. The work was performed for the purpose of developing the mineral potential of the claims and to maintain and hold such claims. This Affidavit of Annual Assessment work is being amended to show entire contiguous claim block, and originally recorded in Elko County, September 11, 1992, Book 795, pages 851-870, also recorded in Bureka County, September 11, 1992, Book 238, pages 384-392.

Dated this 12TH day of October, 1992.

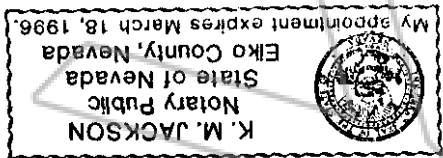
By: \_\_\_\_\_

Deborah L. Goetz, CPL

Subscribed and sworn to before me this 12th day of October, 1992.

Notary Public

*Kim Jackson*



NELVNIT 2-2 THRU 2-7 /MILCHEM

3841024000C-7C

BOOK 241 PAGE 100

BOOK 798 PAGE 895

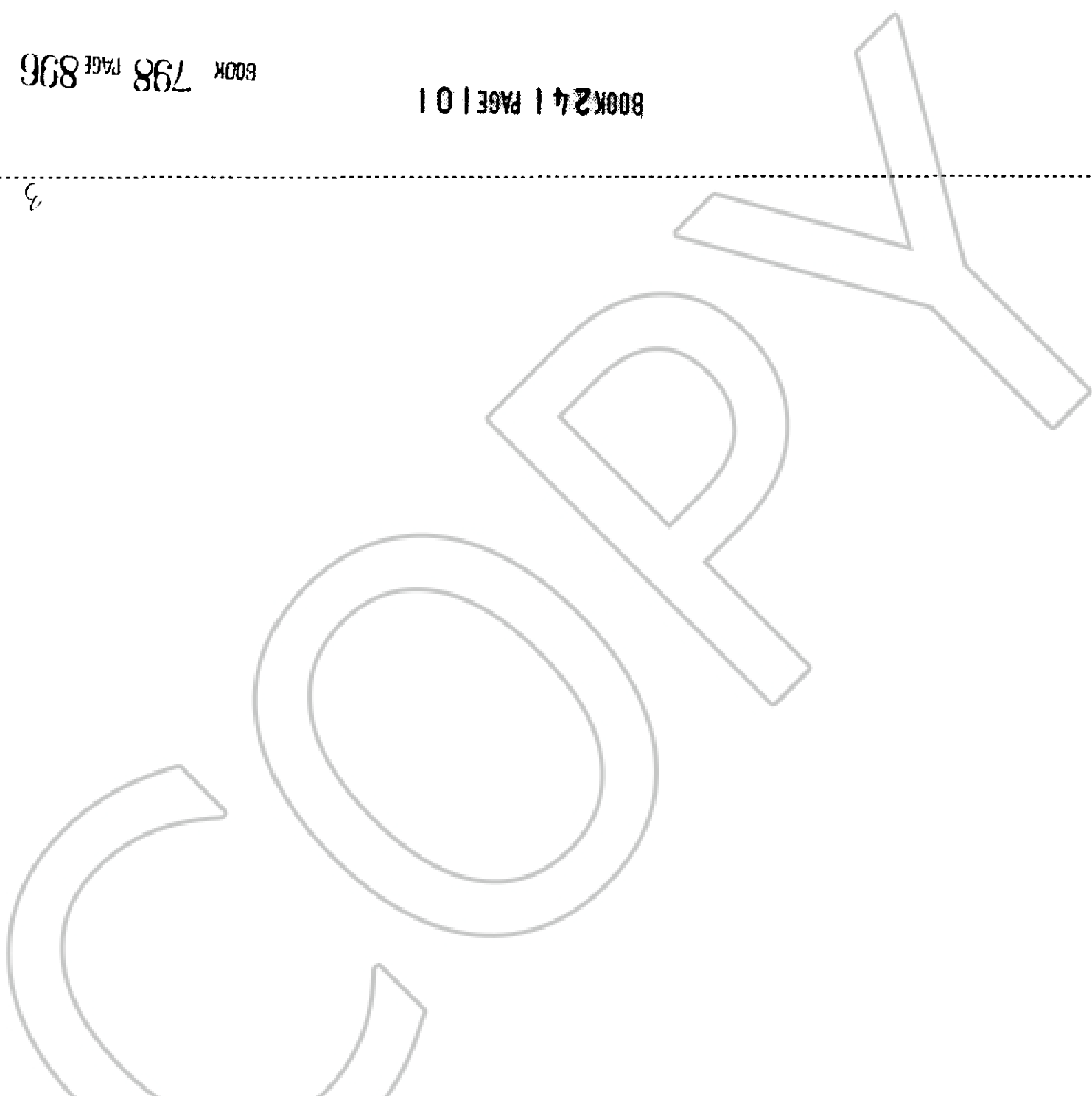
\*\*\*\*\*RECORDING DATA\*\*\*\*\*

NAME OF CLAIM/ AMENDED CLAIM NAME	COUNTY	OR DOCUMENT #	OR DOCUMENT #	BOOK PAGE	BOOK PAGE	AMENDED	BUREAU OF LAND MANAGEMENT	*****LOCATION DESCRIPTION*****
BEAVER NO. 83	ELKO	325	202			MNC 158726	36N 51E 05	NM
BEAVER NO. 84	ELKO	325	203			MNC 158727	36N 51E 05	NM
BEAVER NO. 85	ELKO	325	204			MNC 158728	36N 51E 05	NM

BEAVER NO. 83 ELKO 325 202 MNC 158726 36N 51E 05 NM

BEAVER NO. 84 ELKO 325 203 MNC 158727 36N 51E 05 NM

BEAVER NO. 85 ELKO 325 204 MNC 158728 36N 51E 05 NM



BOOK 241 PAGE 101

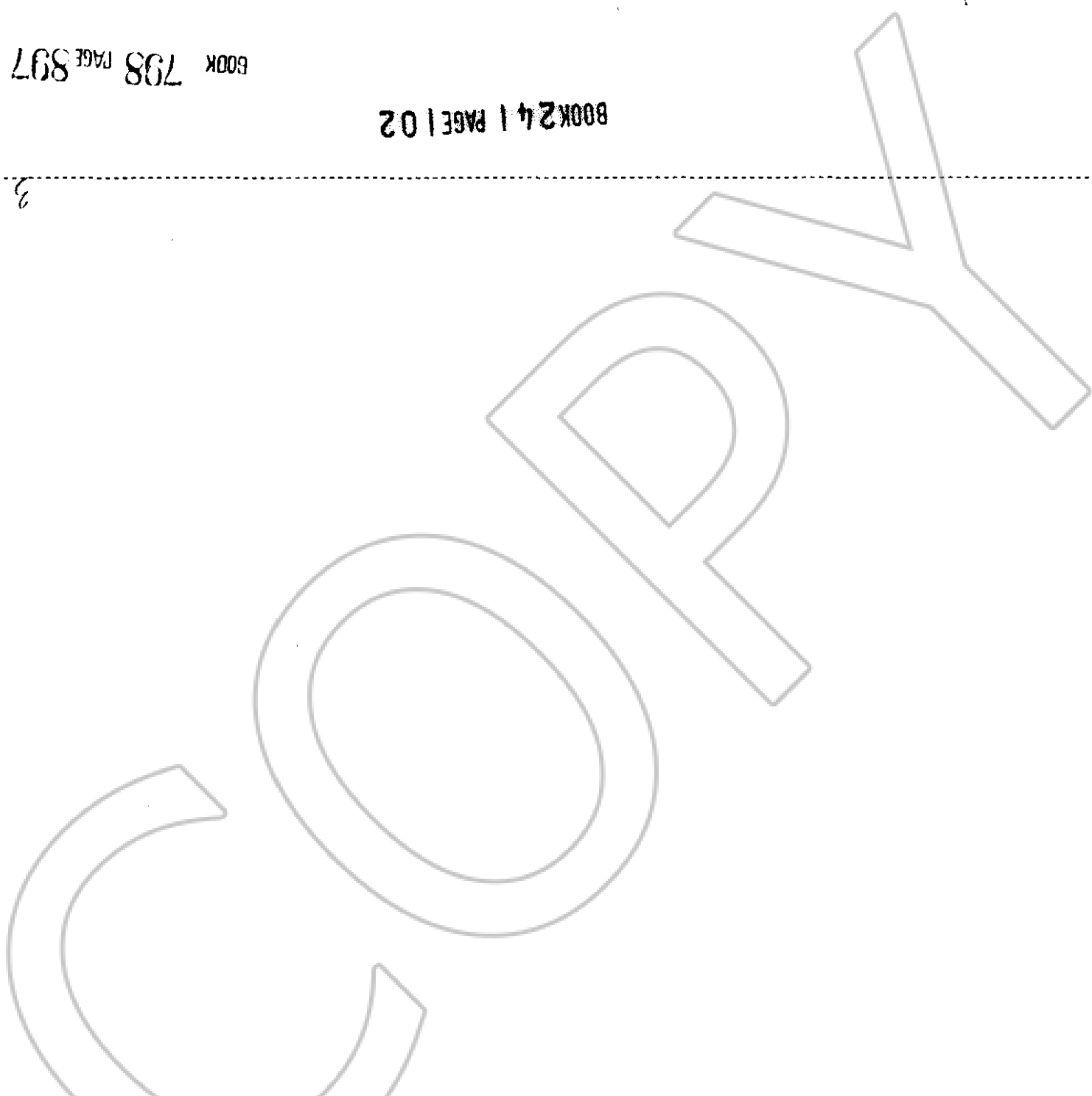
BOOK 798 PAGE 896

3

\*\*\*\*\*RECORDING DATA\*\*\*\*\*

NAME OF CLAIM/ AMENDED CLAIM NAME	COUNTY	OR DOCUMENT #	OR DOCUMENT #	BOOK PAGE	BOOK PAGE	AMENDED	BUREAU OF LAND MANAGEMENT	SERIAL NUMBER	TNSP	RANGE	SEC	QTR	*****LOCATION DESCRIPTION*****
--------------------------------------	--------	---------------	---------------	-----------	-----------	---------	------------------------------	---------------	------	-------	-----	-----	--------------------------------

BEAVER NO. 86	ELKO	325	205	325	205	NMC 158729	36N	51E	05				SW
BEAVER NO. 87	ELKO	325	206	325	206	NMC 158730	36N	51E	05				SW
BEAVER NO. 88	ELKO	325	207	325	207	NMC 158731	36N	51E	05				SW



BOOK 241 PAGE 102

BOOK 798 PAGE 897

3

\*\*\*\*\*RECORDING DATA\*\*\*\*\*

NAME OF CLAIM/ AMENDED CLAIM NAME	COUNTY	OR DOCUMENT #	OR DOCUMENT #	AMENDED BOOK PAGE	ORIGINAL BOOK PAGE	BUREAU OF LAND MANAGEMENT	SERIAL NUMBER	TNSP	RANGE	SEC	QTR	*****LOCATION DESCRIPTION*****
--------------------------------------	--------	---------------	---------------	----------------------	-----------------------	------------------------------	---------------	------	-------	-----	-----	--------------------------------

COYOTE NO. 1	ELKO	325	245	MNC 160715	36N	51E	37N	05	51E	32	05	NE NW SE
COYOTE NO. 2	ELKO	325	246	MNC 160716	36N	51E	36N	05	51E	05	NE	
COYOTE NO. 3	ELKO	325	247	MNC 160717	36N	51E	36N	05	51E	05	NE	
COYOTE NO. 4	ELKO	325	248	MNC 160718	36N	51E	36N	05	51E	05	NE	SE
COYOTE NO. 5	ELKO	325	249	MNC 160719	36N	51E	36N	05	51E	05	NE	
COYOTE NO. 6	ELKO	325	250	MNC 160720	36N	51E	36N	05	51E	05	NE	SE
BEAVER NO. 126	ELKO	371	75	MNC 221060	36N	51E	37N	05	51E	32	05	NW SW
BEAVER NO. 127	ELKO	371	76	MNC 221061	36N	51E	37N	05	51E	32	05	NW SW

BOOK 241 PAGE 103

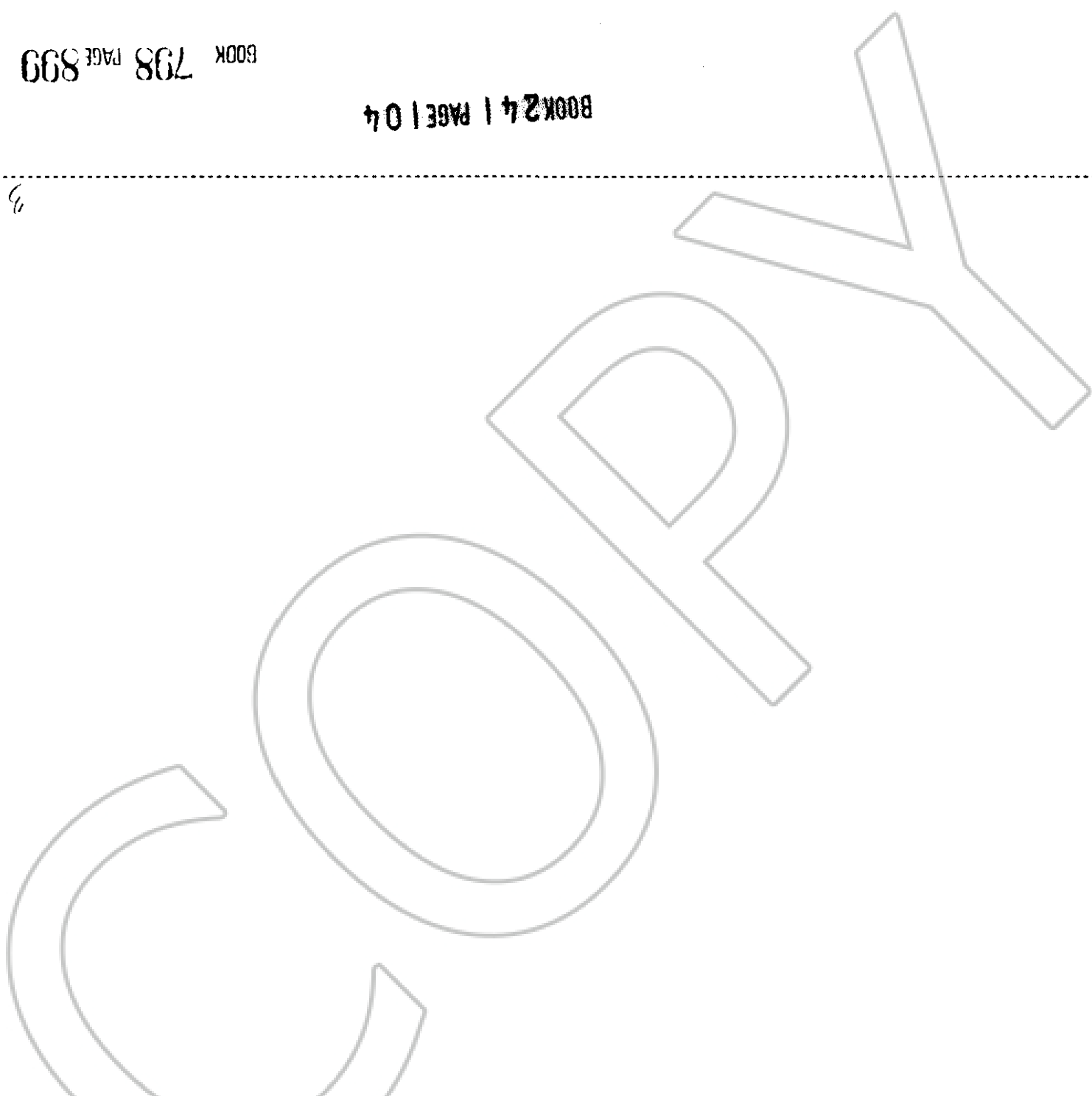
BOOK 798 PAGE 898

8

\*\*\*\*\*RECORDING DATA\*\*\*\*\*

NAME OF CLAIM/ AMENDED CLAIM NAME	COUNTY	OR DOCUMENT #	OR DOCUMENT #	BOOK PAGE	BOOK PAGE	AMENDED	BUREAU OF LAND MANAGEMENT	SERIAL NUMBER	TNSP	RANGE	SEC	QTR
--------------------------------------	--------	---------------	---------------	-----------	-----------	---------	------------------------------	---------------	------	-------	-----	-----

BEAVER NO. 89	ELKO	325	208	MNC 158732	37N	50E	34	NE				
BEAVER NO. 90	ELKO	325	209	MNC 158733	37N	50E	34	NE				
BEAVER NO. 91	ELKO	325	210	MNC 158734	37N	50E	34	NE				



BOOK 24 | PAGE | 04

BOOK 798 | PAGE 899

3

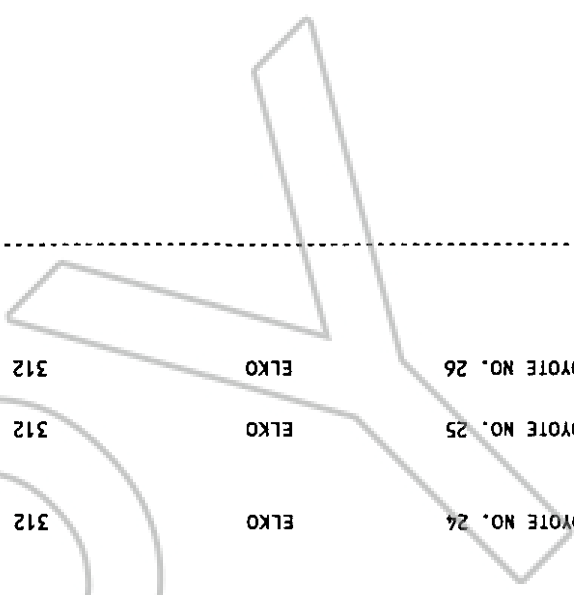
\*\*\*\*\*RECORDING DATA\*\*\*\*\*

AMENDED CLAIM/	ORIGINAL	AMENDED	BUREAU OF LAND	MANAGEMENT	***LOCATION DESCRIPTION***
NAME	BOOK PAGE	BOOK PAGE	SERIAL NUMBER	TNSP	RANGE SEC QTR
COUNTY	OR DOCUMENT #	OR DOCUMENT #	#	OR DOCUMENT #	OR DOCUMENT #

COYOTE NO. 8	ELKO	312	499	NMC 138199	36N	51E	8	NE,NW
COYOTE NO. 10	ELKO	312	500	NMC 138200	36N	51E	8	NE
COYOTE NO. 12	ELKO	312	501	NMC 138201	36N	51E	8	NE
COYOTE NO. 13	ELKO	312	502	NMC 138202	36N	51E	8	NE
COYOTE NO. 14	ELKO	312	503	NMC 138203	36N	51E	8	NE,SE
COYOTE NO. 15	ELKO	312	504	NMC 138204	36N	51E	8	NE
COYOTE NO. 16	ELKO	312	505	NMC 138205	36N	51E	8	NE,SE,NW,SW
COYOTE NO. 17	ELKO	312	506	NMC 138206	36N	51E	8	SE
COYOTE NO. 18	ELKO	312	507	NMC 138207	36N	51E	8	SE
COYOTE NO. 19	ELKO	312	508	NMC 138208	36N	51E	8	SE
COYOTE NO. 20	ELKO	312	509	NMC 138209	36N	51E	8	SE,SW
COYOTE NO. 21	ELKO	312	510	NMC 138210	36N	51E	9	SW
COYOTE NO. 22	ELKO	312	511	NMC 138211	36N	51E	9	SW
COYOTE NO. 23	ELKO	312	512	NMC 138212	36N	51E	9	SW
COYOTE NO. 24	ELKO	312	513	NMC 138213	36N	51E	9	SW,SE
COYOTE NO. 25	ELKO	312	514	NMC 138214	36N	51E	16	NW
COYOTE NO. 26	ELKO	312	515	NMC 138215	36N	51E	16	NW

BOOK 24 | PAGE 105

BOOK 798 | PAGE 900



\*\*\*\*\*RECORDING DATA\*\*\*\*\*

AMENDED	ORIGINAL	AMENDED	BUREAU OF LAND	MANAGEMENT	***LOCATION DESCRIPTION***
OR DOCUMENT #	OR DOCUMENT #	OR DOCUMENT #	SERIAL NUMBER	TNSP	RANGE SEC QTR

ELKO	312	516	NMC 138216	36N	51E	16	NW	COYOTE NO. 27
ELKO	312	517	NMC 138217	36N	51E	16	NW	COYOTE NO. 28
ELKO	312	518	NMC 138218	36N	51E	16	NW	COYOTE NO. 29
ELKO	312	519	NMC 138219	36N	51E	18	NW	COYOTE NO. 36
ELKO	312	520	NMC 138220	36N	51E	18	NE	COYOTE NO. 37
ELKO	312	521	NMC 138221	36N	51E	18	NE	COYOTE NO. 38
ELKO	312	522	NMC 138222	36N	51E	18	NE	COYOTE NO. 39
ELKO	312	523	NMC 138223	36N	51E	17	NW	COYOTE NO. 40
ELKO	312	524	NMC 138224	36N	51E	16	NW	COYOTE NO. 43
ELKO	312	525	NMC 138225	36N	51E	16	NW	COYOTE NO. 44
ELKO	325	211	NMC 158735	36N	50E	34	NW,SE	BEAVER NO. 92
ELKO	325	212	NMC 158736	37N	50E	34	SE	BEAVER NO. 93
ELKO	325	213	NMC 158737	36N	51E	6	NW	BEAVER NO. 94
ELKO	325	214	NMC 158738	36N	51E	6	SW,NW	BEAVER NO. 95
ELKO	325	215	NMC 158739	36N	51E	6	NW	BEAVER NO. 96
ELKO	325	216	NMC 158740	36N	51E	6	NW,SW	BEAVER NO. 97
ELKO	325	217	NMC 158741	36N	51E	6	NW	BEAVER NO. 98
ELKO	325	218	NMC 158742	36N	51E	6	NW,SW	BEAVER NO. 99
ELKO	325	219	NMC 158743	36N	51E	6	NW	BEAVER NO. 100
ELKO	325	220	NMC 158744	36N	51E	6	NW,SW	BEAVER NO. 101

OK

BOOK 24 | PAGE 106

BOOK 798 | PAGE 901

\*\*\*\*\*RECORDING DATA\*\*\*\*\*  
 ORIGINAL AMENDED BUREAU OF LAND MANAGEMENT  
 BOOK PAGE OR DOCUMENT # OR DOCUMENT # SERIAL NUMBER TNSP RANGE SEC QTR  
 NAME OF CLAIM/ AMENDED CLAIM NAME COUNTY

BEAVER NO.	ELKO	325	36N	51E	6 NW	NMC 158745
BEAVER NO. 102	ELKO	325 221	36N	51E	6 NW	NMC 158745
BEAVER NO. 103	ELKO	325 222	36N	51E	6 NW, SW	NMC 158746
BEAVER NO. 104	ELKO	325 223	36N	51E	6 SW, SE, NE, NW	NMC 158747
BEAVER NO. 105	ELKO	325 224	36N	51E	6 NE, SE	NMC 158748
BEAVER NO. 106	ELKO	325 225	36N	51E	6 NE, SE	NMC 158749
BEAVER NO. 107	ELKO	325 226	36N	50E	3 NE	NMC 158750
BEAVER NO. 108	ELKO	325 227	36N	50E	3 NE	NMC 158751
BEAVER NO. 109	ELKO	325 228	36N	50E	3 NE	NMC 158752
BEAVER NO. 110	ELKO	325 229	36N	51E	7 NW	NMC 158753
BEAVER NO. 111	ELKO	325 230	36N	51E	6 SW	NMC 158754
BEAVER NO. 112	ELKO	325 231	36N	51E	7 NW	NMC 158755
BEAVER NO. 113	ELKO	325 232	36N	51E	7 NW	NMC 158756
BEAVER NO. 114	ELKO	325 233	36N	51E	7 NE, NW	NMC 158757
BEAVER NO. 115	ELKO	325 234	36N	51E	7 NE	NMC 158758
BEAVER NO. 116	ELKO	325 235	36N	51E	7 NE	NMC 158759
BEAVER NO. 117	ELKO	325 236	36N	51E	7 NE	NMC 158760
BEAVER NO. 118	ELKO	325 237	36N	51E	7 NE	NMC 158761

BOOK 241 PAGE 107

BOOK 798 PAGE 902

17



\*\*\*\*\*RECORDING DATA\*\*\*\*\*

NAME OF CLAIM/ AMENDED CLAIM NAME	COUNTY	OR DOCUMENT #	OR DOCUMENT #	AMENDED BOOK PAGE	BOOK PAGE	BUREAU OF LAND MANAGEMENT	SERIAL NUMBER	TNSP	RANGE	SEC QTR
--------------------------------------	--------	---------------	---------------	----------------------	-----------	------------------------------	---------------	------	-------	---------

BEAVER NO. 119	ELKO	325	238	NMC 158762	36N	51E	6	SE	7	NE
BEAVER NO. 120	ELKO	325	239	NMC 158763	36N	51E	7	NE	7	NE
BEAVER NO. 121	ELKO	325	240	NMC 158764	36N	51E	5	SM	5	SM
BEAVER NO. 122	ELKO	325	241	NMC 158765	36N	51E	7	NE	8	NM
BEAVER NO. 123	ELKO	325	242	NMC 158766	36N	51E	5	SM	8	NM
BEAVER NO. 124	ELKO	325	243	NMC 158767	36N	51E	5	SM	8	NM
JACK NO. 1	ELKO	325	299	NMC 160577	36N	51E	7	NM,SW	7	NM,SW
JACK NO. 2	ELKO	325	300	NMC 160578	36N	51E	7	SM	7	SM
JACK NO. 3	ELKO	325	301	NMC 160579	36N	51E	7	NM,SW	7	NM,SW
JACK NO. 4	ELKO	325	302	NMC 160580	36N	51E	7	SM	7	SM
JACK NO. 5	ELKO	325	303	NMC 160581	36N	51E	7	SE,SW	17	NE,NM
JACK NO. 6	ELKO	325	304	NMC 160582	36N	51E	7	SM	17	NM
JACK NO. 7	ELKO	325	305	NMC 160583	36N	51E	7	SM	18	NM
JACK NO. 8	ELKO	325	306	NMC 160584	36N	51E	7	SM	18	NM
JACK NO. 9	ELKO	325	307	NMC 160585	36N	51E	7	SM	18	NM
JACK NO. 140	ELKO	325	352	NMC 160713	36N	51E	7	SM,SE	7	SM,SE

BOOK 24 | PAGE | 08

BOOK 798 | PAGE 903

u

\*\*\*\*\*RECORDING DATA\*\*\*\*\*  
 ORIGINAL BOOK PAGE OR DOCUMENT # OR DOCUMENT # SERIAL NUMBER TNSP RANGE SEC QTR  
 AMENDED BOOK PAGE OR DOCUMENT # OR DOCUMENT # SERIAL NUMBER TNSP RANGE SEC QTR  
 BUREAU OF LAND MANAGEMENT  
 NAME OF CLAIM/  
 AMENDED CLAIM NAME  
 COUNTY

JACK NO. 141	ELKO	325	353	NMC 160714	36N	51E	7	SM
COYOTE NO. 7	ELKO	325	251	NMC 160721	36N	51E	5	SE, SW
COYOTE NO. 9	ELKO	325	252	NMC 160722	36N	51E	5	SE
COYOTE NO. 11	ELKO	325	253	NMC 160723	36N	51E	5	SE
COYOTE NO. 30	ELKO	325	254	NMC 160724	36N	51E	17	NE
COYOTE NO. 31	ELKO	325	255	NMC 160725	36N	51E	17	NE
COYOTE NO. 32	ELKO	325	256	NMC 160726	36N	51E	17	NE
COYOTE NO. 33	ELKO	325	257	NMC 160727	36N	51E	17	NE, NW
COYOTE NO. 34	ELKO	325	258	NMC 160728	36N	51E	17	NW
COYOTE NO. 35	ELKO	325	259	NMC 160729	36N	51E	17	NW
COYOTE NO. 41	ELKO	325	260	NMC 160730	36N	51E	17	NE, NW
COYOTE NO. 42	ELKO	325	261	NMC 160731	36N	51E	17	NE
COYOTE NO. 45	ELKO	325	262	NMC 160732	36N	51E	17	SE
COYOTE NO. 46	ELKO	325	263	NMC 160733	36N	51E	17	SE
COYOTE NO. 47	ELKO	325	264	NMC 160734	36N	51E	17	SE, SW
COYOTE NO. 48	ELKO	325	265	NMC 160735	36N	51E	17	SE, SW
COYOTE NO. 49	ELKO	325	266	NMC 160736	36N	51E	17	SE
COYOTE NO. 50	ELKO	325	267	NMC 160737	36N	51E	17	SE
COYOTE NO. 51	ELKO	325	268	NMC 160738	36N	51E	17	SE
COYOTE NO. 52	ELKO	325	269	NMC 160739	36N	51E	17	SE
COYOTE NO. 53	ELKO	325	270	NMC 160740	36N	51E	17	SE
COYOTE NO. 54	ELKO	325	271	NMC 160741	36N	51E	17	SE

BOOK 24 | PAGE 109

BOOK 798 | PAGE 904

\*\*\*\*\*RECORDING DATA\*\*\*\*\*

NAME OF CLAIM/ AMENDED CLAIM NAME	COUNTY	OR DOCUMENT #	OR DOCUMENT #	BOOK PAGE	BOOK PAGE	AMENDED	BUREAU OF LAND MANAGEMENT	SERIAL NUMBER	TNSP	RANGE	SEC	QTR
--------------------------------------	--------	---------------	---------------	-----------	-----------	---------	------------------------------	---------------	------	-------	-----	-----

COYOTE NO. 55	ELKO	325	272	36N	51E	17	SE	NMC 160742	36N	51E	17	SE
COYOTE NO. 56	ELKO	325	273	36N	51E	17	SE	NMC 160743	36N	51E	17	SE
COYOTE NO. 57	ELKO	325	274	36N	51E	16	SM	NMC 160744	36N	51E	16	SM
COYOTE NO. 58	ELKO	325	275	36N	51E	16	SM	NMC 160745	36N	51E	16	SM
COYOTE NO. 59	ELKO	325	276	36N	51E	16	SM	NMC 160746	36N	51E	16	SM
COYOTE NO. 60	ELKO	325	277	36N	51E	16	SM	NMC 160747	36N	51E	16	SM
COYOTE NO. 61	ELKO	325	278	36N	51E	16	SM	NMC 160748	36N	51E	16	SM
COYOTE NO. 62	ELKO	325	279	36N	51E	16	SM	NMC 160749	36N	51E	16	SM
COYOTE NO. 63	ELKO	325	280	36N	51E	16	SE, SW	NMC 160750	36N	51E	16	SE, SW
COYOTE NO. 64	ELKO	325	281	36N	51E	16	SE, SW	NMC 160751	36N	51E	16	SE, SW
COYOTE NO. 65	ELKO	325	282	36N	51E	16	SE	NMC 160752	36N	51E	16	SE
COYOTE NO. 66	ELKO	325	283	36N	51E	16	SE	NMC 160753	36N	51E	16	SE
COYOTE NO. 67	ELKO	325	284	36N	51E	16	SE	NMC 160754	36N	51E	16	SE
COYOTE NO. 68	ELKO	325	285	36N	51E	16	SE	NMC 160755	36N	51E	16	SE
COYOTE NO. 69	ELKO	325	286	36N	51E	16	SE	NMC 160756	36N	51E	16	SE
COYOTE NO. 70	ELKO	325	287	36N	51E	16	SE	NMC 160757	36N	51E	16	SE
COYOTE NO. 71	ELKO	325	288	36N	51E	21	NW	NMC 160758	36N	51E	21	NW
COYOTE NO. 72	ELKO	325	289	36N	51E	21	NW	NMC 160759	36N	51E	21	NW
COYOTE NO. 73	ELKO	325	290	36N	51E	21	NW	NMC 160760	36N	51E	21	NW
COYOTE NO. 74	EUREKA	83	153	36N	51E	21	NW	NMC 160761	36N	51E	21	NW

\* 1.75 additional Recording Fee

BOOK 241 PAGE 110

BOOK 798 PAGE 905

90

\*\*\*\*\*RECORDING DATA\*\*\*\*\*

NAME OF CLAIM/ AMENDED CLAIM NAME	COUNTY	OR DOCUMENT #	OR DOCUMENT #	BOOK PAGE	BOOK PAGE	AMENDED	BUREAU OF LAND MANAGEMENT	SERIAL NUMBER	TNSP	RANGE	SEC	QTR
--------------------------------------	--------	---------------	---------------	-----------	-----------	---------	------------------------------	---------------	------	-------	-----	-----

COYOTE NO. 75	ELKO	325	291	83	154	NMC 160762	36N	51E	21	NW		
COYOTE NO. 76	EUREKA	83	155			NMC 160763	36N	51E	21	NW		
COYOTE NO. 77	ELKO	325	292	83	156	NMC 160764	36N	51E	21	NE, NW		
COYOTE NO. 78	EUREKA	83	157			NMC 160765	36N	51E	21	NE, NW		
COYOTE NO. 79	ELKO	325	293	83	158	NMC 160766	36N	51E	21	NE		
COYOTE NO. 80	EUREKA	83	159			NMC 160767	36N	51E	21	NE		
COYOTE NO. 81	ELKO	325	294	83	160	NMC 160768	36N	51E	21	NE		
COYOTE NO. 82	EUREKA	83	161			NMC 160769	36N	51E	21	NE		
COYOTE NO. 83	ELKO	325	295	83	162	NMC 160770	36N	51E	21	NE		
COYOTE NO. 84	EUREKA	83	163			NMC 160771	36N	51E	21	NE		
COYOTE NO. 85	ELKO	325	296	83	164	NMC 160772	36N	51E	21	NE		
COYOTE NO. 86	EUREKA	83	165			NMC 160773	36N	51E	21	NE		
COYOTE NO. 87	ELKO	325	297	83	166	NMC 160774	36N	51E	22	NW		
COYOTE NO. 88	EUREKA	83	167			NMC 160775	36N	51E	22	NW		
COYOTE NO. 89	ELKO	325	298	83	168	NMC 160776	36N	51E	22	NW		
COYOTE NO. 90	EUREKA	83	169			NMC 160777	36N	51E	22	NW		
COYOTE NO. 91	EUREKA	83	170			NMC 160778	36N	51E	21	SW		
COYOTE NO. 92	EUREKA	83	171			NMC 160779	36N	51E	21	SW		

BOOK 24 | PAGE 111

BOOK 798 | PAGE 906

18

\*\*\*\*\*RECORDING DATA\*\*\*\*\*

NAME OF CLAIM/ AMENDED CLAIM NAME	COUNTY	OR DOCUMENT # BOOK PAGE	OR DOCUMENT # BOOK PAGE	SERIAL NUMBER	MANAGEMENT	LOCATION DESCRIPTION
--------------------------------------	--------	----------------------------	----------------------------	---------------	------------	----------------------

COYOTE NO. 93	EUREKA	83	172	36N	51E	21 SW
COYOTE NO. 94	EUREKA	83	173	36N	51E	21 SW
COYOTE NO. 95	EUREKA	83	174	36N	51E	21 SE, SW
COYOTE NO. 96	EUREKA	83	175	36N	51E	21 SE, SW
COYOTE NO. 97	EUREKA	83	176	36N	51E	21 SE
COYOTE NO. 98	EUREKA	83	177	36N	51E	21 SE
COYOTE NO. 99	EUREKA	83	178	36N	51E	21 SE
COYOTE NO. 100	EUREKA	83	179	36N	51E	21 SE
COYOTE NO. 101	EUREKA	83	180	36N	51E	21 SE
COYOTE NO. 102	EUREKA	83	181	36N	51E	21 SE
COYOTE NO. 103	EUREKA	83	182	36N	51E	21 SE
COYOTE NO. 104	EUREKA	83	183	36N	51E	21 SE
COYOTE NO. 105	EUREKA	83	184	36N	51E	22 SW
COYOTE NO. 106	EUREKA	83	185	36N	51E	22 SW
COYOTE NO. 107	EUREKA	83	186	36N	51E	22 SW
COYOTE NO. 108	EUREKA	83	187	36N	51E	22 SW
COYOTE NO. 109	EUREKA	83	188	36N	51E	22 SW
COYOTE NO. 110	EUREKA	83	189	36N	51E	22 SW
COYOTE NO. 111	EUREKA	83	190	36N	51E	22 SW, SE
COYOTE NO. 112	ELKO	470	83	36N	51E	8 NESE
COYOTE NO. 113	ELKO	470	84	36N	51E	8 SE

BOOK 24 | PAGE | 12

BOOK 798 | PAGE 907

18

\*\*\*\*\*RECORDING DATA\*\*\*\*\*

AMENDED CLAIM/ ORIGINAL	BOOK PAGE	OR DOCUMENT #	OR DOCUMENT #	SERIAL NUMBER	INSPI RANGE SEC QTR	LOCATION DESCRIPTION*****	COUNTY	AMENDED CLAIM NAME
BUREAU OF LAND MANAGEMENT	BOOK PAGE	OR DOCUMENT #	OR DOCUMENT #	SERIAL NUMBER	INSPI RANGE SEC QTR	LOCATION DESCRIPTION*****		

NMC 318760	36N	51E	8	NESE			ELKO	COYOTE NO. 114
NMC 318761	36N	51E	8	SE			ELKO	COYOTE NO. 115
NMC 318762	36N	51E	8	NE,SE,NW,SW			ELKO	COYOTE NO. 116
NMC 318763	36N	51E	8	SESW			ELKO	COYOTE NO. 117
NMC 318764	36N	51E	8	NW,SW			ELKO	COYOTE NO. 118
NMC 318765	36N	51E	8	SW			ELKO	COYOTE NO. 119
NMC 318766	36N	51E	8	NW,SW			ELKO	COYOTE NO. 120
NMC 318767	36N	51E	8	SW			ELKO	COYOTE NO. 121
NMC 318768	36N	51E	8	NW,SW			ELKO	COYOTE NO. 122
NMC 318769	36N	51E	8	SW			ELKO	COYOTE NO. 123
NMC 318770	36N	51E	8	NW,SW			ELKO	COYOTE NO. 124
NMC 318771	36N	51E	8	SW			ELKO	COYOTE NO. 125
NMC 318772	36N	51E	7	NE,SE			ELKO	COYOTE NO. 126
NMC 318773	36N	51E	7	SE			ELKO	COYOTE NO. 127
NMC 318774	36N	51E	7	NE,SE			ELKO	COYOTE NO. 128
NMC 318775	36N	51E	7	SE			ELKO	COYOTE NO. 129
NMC 318776	36N	51E	7	NE,SE			ELKO	COYOTE NO. 130
NMC 318777	36N	51E	7	SE			ELKO	COYOTE NO. 131
NMC 318778	36N	51E	7	NE,SE			ELKO	COYOTE NO. 132
NMC 318779	36N	51E	7	SE			ELKO	COYOTE NO. 133
NMC 318780	36N	51E	7	NE,SE,SW,NW			ELKO	COYOTE NO. 134

BOOK 241 PAGE 113

BOOK 798 PAGE 908

81

\*\*\*\*\*RECORDING DATA\*\*\*\*\*

NAME OF CLAIM/ AMENDED CLAIM NAME	COUNTY	OR DOCUMENT #	OR DOCUMENT #	AMENDED BOOK PAGE	OR DOCUMENT #	OR DOCUMENT #	MANAGEMENT	*****LOCATION DESCRIPTION*****
--------------------------------------	--------	---------------	---------------	----------------------	---------------	---------------	------------	--------------------------------

COYOTE NO. 135	ELKO	470	106	NMC 318781	36N	51E	7	SE, SW
COYOTE NO. 136	ELKO	470	107	NMC 318782	36N	51E	7	NW, SW
COYOTE NO. 137	ELKO	470	108	NMC 318783	36N	51E	7	SW
COYOTE NO. 138	ELKO	470	109	NMC 318784	36N	51E	7	NW, SW
COYOTE NO. 139	ELKO	470	110	NMC 318785	36N	51E	7	SW
COYOTE NO. 140	ELKO	470	111	NMC 318786	36N	51E	8	SE
COYOTE NO. 141	ELKO	470	112	NMC 318787	36N	51E	8	SE
COYOTE NO. 142	ELKO	470	113	NMC 318788	36N	51E	8	SE, SW
COYOTE NO. 143	ELKO	470	114	NMC 318789	36N	51E	8	SW
COYOTE NO. 144	ELKO	470	115	NMC 318790	36N	51E	8	SW
COYOTE NO. 145	ELKO	470	116	NMC 318791	36N	51E	8	SW
COYOTE NO. 146	ELKO	470	117	NMC 318792	36N	51E	8	SW
COYOTE NO. 147	ELKO	470	118	NMC 318793	36N	51E	7	SE
COYOTE NO. 148	ELKO	470	119	NMC 318794	36N	51E	7	SE
COYOTE NO. 149	ELKO	470	120	NMC 318795	36N	51E	7	SE
COYOTE NO. 150	ELKO	470	121	NMC 318796	36N	51E	7	SE

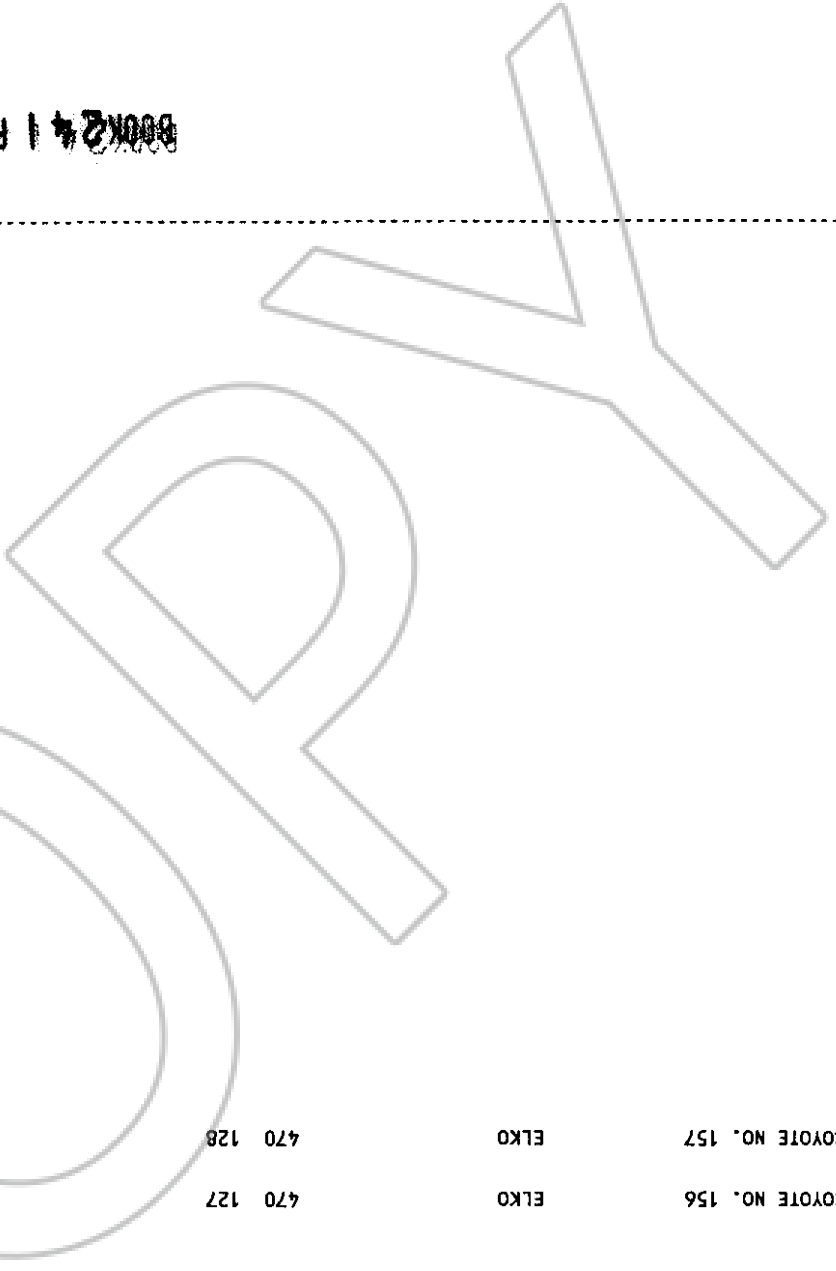
BOOK 24 | PAGE 1 | 4

BOOK 798 | PAGE 909

\*\*\*\*\*RECORDING DATA\*\*\*\*\*

NAME OF CLAIM/ AMENDED CLAIM NAME	COUNTY	OR DOCUMENT #	OR DOCUMENT #	OR DOCUMENT #	SERIAL NUMBER	TNSP	RANGE	SEC QTR
ORIGINAL		BOOK PAGE	BOOK PAGE	BOOK PAGE	BUREAU OF LAND MANAGEMENT			
AMENDED		BOOK PAGE	BOOK PAGE	BOOK PAGE				
****LOCATION DESCRIPTION*****								

COYOTE NO. 151	ELKO	470	122	NMC 318797	36N	51E	7	SE,SW
COYOTE NO. 152	ELKO	470	123	NMC 318798	36N	51E	7	SW
COYOTE NO. 153	ELKO	470	124	NMC 318799	36N	51E	7	SW
COYOTE NO. 154	ELKO	470	125	NMC 318800	36N	51E	18	NE
COYOTE NO. 155	ELKO	470	126	NMC 318801	36N	51E	17	NW
COYOTE NO. 156	ELKO	470	127	NMC 318802	36N	51E	17	NW
COYOTE NO. 157	ELKO	470	128	NMC 318803	36N	51E	17	NW



BOOK 24 | PAGE 115

BOOK 798 | PAGE 910

✓



\*\*\*\*\*RECORDING DATA\*\*\*\*\*

NAME OF CLAIM/ AMENDED CLAIM NAME	COUNTY	OR DOCUMENT # BOOK PAGE	OR DOCUMENT # BOOK PAGE	AMENDED BUREAU OF LAND MANAGEMENT	SERIAL NUMBER	TNSP	RANGE	SEC QTR
--------------------------------------	--------	----------------------------	----------------------------	---	---------------	------	-------	---------

JACK NO. 10	ELKO	325 308	36N 51E 18 NW	NMC 160586	36N	51E	18	NW
JACK NO. 11	ELKO	325 309	36N 50E 10 NE	NMC 160587	36N	50E	10	NE
JACK NO. 12	ELKO	325 310	36N 50E 10 NE,NW	NMC 160588	36N	50E	10	NE,NW
JACK NO. 13	ELKO	325 311	36N 50E 10 SE,NE	NMC 160589	36N	50E	10	SE,NE
JACK NO. 14	ELKO	325 312	36N 50E 10 SE	NMC 160590	36N	50E	10	SE
JACK NO. 15	ELKO	325 313	36N 50E 10 NE,SE	NMC 160591	36N	50E	10	NE,SE
JACK NO. 16	ELKO	325 314	36N 50E 10 SE	NMC 160592	36N	50E	10	SE
JACK NO. 17	ELKO	325 315	36N 50E 10 NE,SE	NMC 160593	36N	50E	10	NE,SE
JACK NO. 18	ELKO	325 316	36N 50E 10 SE	NMC 160594	36N	50E	10	SE
JACK NO. 19	ELKO	325 317	36N 50E 10 NE,SE	NMC 160595	36N	50E	10	NE,SE
JACK NO. 20	ELKO	325 318	36N 50E 10 SE	NMC 160596	36N	50E	10	SE
JACK NO. 21	ELKO	325 319	36N 51E 18 NW	NMC 160597	36N	51E	18	NW
JACK NO. 22	ELKO	325 320	36N 51E 18 SW	NMC 160598	36N	51E	18	SW
JACK NO. 23	ELKO	325 321	36N 51E 18 NW	NMC 160599	36N	51E	18	NW
JACK NO. 24	ELKO	325 322	36N 51E 18 SW	NMC 160600	36N	51E	18	SW
JACK NO. 25	ELKO	325 323	36N 50E 18 SW	NMC 160601	36N	50E	18	SW
JACK NO. 26	ELKO	325 324	36N 51E 18 SW	NMC 160602	36N	51E	18	SW
JACK NO. 27	ELKO	325 325	36N 51E 18 SE,SW	NMC 160603	36N	51E	18	SE,SW
JACK NO. 28	ELKO	325 326	36N 50E 10 SE	NMC 160604	36N	50E	10	SE
JACK NO. 29	ELKO	325 327	36N 50E 15 NE,SE	NMC 160605	36N	50E	15	NE,SE

BOOK 24 | PAGE | 6

BOOK 798 | PAGE 911

96

\*\*\*\*\*RECORDING DATA\*\*\*\*\*

NAME OF CLAIM/ AMENDED CLAIM NAME	COUNTY	OR DOCUMENT # BOOK PAGE	OR DOCUMENT # BOOK PAGE	AMENDED BUREAU OF LAND MANAGEMENT	SERIAL NUMBER	TNSP	RANGE	SEC QTR
--------------------------------------	--------	----------------------------	----------------------------	---	---------------	------	-------	---------

JACK NO. 30	ELKO	325 328		NMC 160606	36N	50E	10 SE	
JACK NO. 31	ELKO	325 329	83 192	NMC 160607	36N	50E	15 NE	
JACK NO. 32	ELKO	325 330		NMC 160608	36N	50E	10 SE	
JACK NO. 33	ELKO	325 331	83 193	NMC 160609	36N	50E	15 NE	
JACK NO. 34	ELKO	325 332		NMC 160610	36N	50E	10 SE	
JACK NO. 35	ELKO	325 333	83 194	NMC 160611	36N	50E	15 NE	
JACK NO. 36	ELKO	325 334		NMC 160612	36N	50E	18 SW	
JACK NO. 37	ELKO	325 335		NMC 160613	36N	51E	18 SW	
JACK NO. 38	ELKO	325 336		NMC 160614	36N	51E	18 SW	
JACK NO. 39	ELKO	325 337	83 203	NMC 160615	36N	51E	19 NW	
JACK NO. 40	ELKO	325 338		NMC 160616	36N	51E	18 SW	
JACK NO. 41	ELKO	325 339	83 204	NMC 160617	36N	51E	19 NW	
JACK NO. 42	ELKO	325 340		NMC 160618	36N	51E	18 SE, SW	
JACK NO. 43	ELKO	325 341	83 205	NMC 160619	36N	51E	19 NE, NW	
JACK NO. 44	ELKO	325 342		NMC 160620	36N	51E	18 SE	
JACK NO. 45	ELKO	325 343	83 206	NMC 160621	36N	51E	19 SE	
JACK NO. 46	ELKO	325 344		NMC 160622	36N	51E	18 SE	

BOOK 24 | PAGE 117

BOOK 798 | PAGE 912

17

\*\*\*\*\*RECORDING DATA\*\*\*\*\*

NAME OF CLAIM/ AMENDED CLAIM NAME	COUNTY	OR DOCUMENT #	OR DOCUMENT #	BOOK PAGE	BOOK PAGE	BUREAU OF LAND MANAGEMENT	SERIAL NUMBER	TNSP	RANGE	SEC QTR
--------------------------------------	--------	---------------	---------------	-----------	-----------	------------------------------	---------------	------	-------	---------

JACK NO. 47	ELKO	325	345	83	207	NMC 160623	36N	51E	19	NE
JACK NO. 48	ELKO	325	346	325	346	NMC 160624	36N	51E	18	SE
JACK NO. 49	ELKO	325	347	83	208	NMC 160625	36N	51E	19	NE
JACK NO. 50	ELKO	325	348	325	348	NMC 160626	36N	51E	18	NE
JACK NO. 51	ELKO	325	349	83	209	NMC 160627	36N	51E	19	NE
JACK NO. 52	ELKO	325	350	83	210	NMC 160628	36N	51E	20	NW
JACK NO. 53	ELKO	325	351	83	211	NMC 160629	36N	51E	20	NW
JACK NO. 54	EUREKA	83	195	83	195	NMC 160630	36N	51E	15	SE,NE
JACK NO. 55	EUREKA	83	196	83	196	NMC 160631	36N	51E	15	SE
JACK NO. 56	EUREKA	83	197	83	197	NMC 160632	36N	51E	15	SE,NE
JACK NO. 57	EUREKA	83	198	83	198	NMC 160633	36N	51E	15	SE
JACK NO. 58	EUREKA	83	199	83	199	NMC 160634	36N	51E	15	SE,NE
JACK NO. 59	EUREKA	83	200	83	200	NMC 160635	36N	51E	15	SE
JACK NO. 60	EUREKA	83	201	83	201	NMC 160636	36N	50E	15	SE,NE
JACK NO. 61	EUREKA	83	202	83	202	NMC 160637	36N	50E	15	SE
JACK NO. 62	EUREKA	83	212	83	212	NMC 160638	36N	51E	19	NE,NW
JACK NO. 63	EUREKA	83	213	83	213	NMC 160639	36N	51E	19	SE,SW
JACK NO. 64	EUREKA	83	214	83	214	NMC 160640	36N	51E	19	SE,SW
JACK NO. 65	EUREKA	83	215	83	215	NMC 160641	36N	51E	19	SE

BOOK 24 | PAGE | 18

BOOK 798 | PAGE 913

19

\*\*\*\*\*RECORDING DATA\*\*\*\*\*

NAME OF CLAIM/ AMENDED CLAIM NAME	COUNTY	OR DOCUMENT # OR DOCUMENT #	OR DOCUMENT # OR DOCUMENT #	AMENDED BOOK PAGE	ORIGINAL BOOK PAGE	BUREAU OF LAND MANAGEMENT	SERIAL NUMBER	TNSP	RANGE	SEC QTR	*****LOCATION DESCRIPTION*****
--------------------------------------	--------	--------------------------------	--------------------------------	----------------------	-----------------------	------------------------------	---------------	------	-------	---------	--------------------------------

JACK NO. 66	EUREKA	83	216	NMC 160642	36N	51E	19	NE			
JACK NO. 67	EUREKA	83	217	NMC 160643	36N	51E	19	SE			
JACK NO. 68	EUREKA	83	218	NMC 160644	36N	51E	19	NE			
JACK NO. 69	EUREKA	83	219	NMC 160645	36N	51E	19	SE			
JACK NO. 70	EUREKA	83	220	NMC 160646	36N	51E	19	NE			
JACK NO. 71	EUREKA	83	221	NMC 160647	36N	51E	19	SE			
JACK NO. 72	EUREKA	83	222	NMC 160648	36N	51E	20	NW			
JACK NO. 73	EUREKA	83	223	NMC 160649	36N	51E	20	SW			
JACK NO. 74	EUREKA	83	224	NMC 160650	36N	51E	20	NW			
JACK NO. 75	EUREKA	83	225	NMC 160651	36N	51E	20	SW			
JACK NO. 76	EUREKA	83	226	NMC 160652	36N	51E	20	NW			
JACK NO. 77	EUREKA	83	227	NMC 160653	36N	51E	20	SW			
JACK NO. 78	EUREKA	83	228	NMC 160654	36N	51E	20	NW			
JACK NO. 79	EUREKA	83	229	NMC 160655	36N	51E	20	SW			
JACK NO. 80	EUREKA	83	230	NMC 160656	36N	51E	20	NE,NW			
JACK NO. 81	EUREKA	83	231	NMC 160657	36N	51E	20	SE,SW			
JACK NO. 82	EUREKA	83	232	NMC 160658	36N	51E	19	SE			
JACK NO. 83	EUREKA	83	233	NMC 160659	36N	51E	30	NE			
JACK NO. 84	EUREKA	83	234	NMC 160660	36N	51E	19	SE			
JACK NO. 85	EUREKA	83	235	NMC 160661	36N	51E	30	NE			
JACK NO. 86	EUREKA	83	236	NMC 160662	36N	51E	19	SE			
JACK NO. 87	EUREKA	83	237	NMC 160663	36N	51E	30	NE			

BOOK 798 PAGE 914

BOOK 241 PAGE 119

26

\*\*\*\*\*RECORDING DATA\*\*\*\*\*

NAME OF CLAIM/ AMENDED CLAIM NAME	COUNTY	ORIGINAL BOOK PAGE OR DOCUMENT #	AMENDED BOOK PAGE OR DOCUMENT #	SERIAL NUMBER	MANAGEMENT	INSP RANGE SEC QTR	LOCATION DESCRIPTION*****
--------------------------------------	--------	--	---------------------------------------	---------------	------------	-----------------------	---------------------------

JACK NO. 88	EUREKA	83	238	NMC 160664	36N	51E	20 SE
JACK NO. 89	EUREKA	83	239	NMC 160665	36N	51E	29 NW
JACK NO. 90	EUREKA	83	240	NMC 160666	36N	51E	29 NW
JACK NO. 91	EUREKA	83	241	NMC 160667	36N	51E	29 NW
JACK NO. 92	EUREKA	83	242	NMC 160668	36N	51E	20 SW
JACK NO. 93	EUREKA	83	243	NMC 160669	36N	51E	29 NW
JACK NO. 94	EUREKA	83	244	NMC 160670	36N	51E	20 SW
JACK NO. 95	EUREKA	83	245	NMC 160671	36N	51E	29 NW
JACK NO. 96	EUREKA	83	246	NMC 160672	36N	51E	29 SE, SW
JACK NO. 97	EUREKA	83	247	NMC 160673	36N	51E	29 NE, NW
JACK NO. 98	EUREKA	83	248	NMC 160674	36N	51E	20 SE
JACK NO. 99	EUREKA	83	249	NMC 160675	36N	51E	29 NE
JACK NO. 100	EUREKA	83	250	NMC 160676	36N	51E	20 SE
JACK NO. 101	EUREKA	83	251	NMC 160677	36N	51E	29 NE
JACK NO. 102	EUREKA	83	252	NMC 160678	36N	51E	29 NE
JACK NO. 103	EUREKA	83	253	NMC 160679	36N	51E	29 NE
JACK NO. 104	EUREKA	83	254	NMC 160680	36N	51E	30 NE
JACK NO. 105	EUREKA	83	255	NMC 160681	36N	51E	30 SE
JACK NO. 106	EUREKA	83	256	NMC 160682	36N	51E	30 NE
JACK NO. 107	EUREKA	83	257	NMC 160683	36N	51E	30 SE
JACK NO. 108	EUREKA	83	258	NMC 160684	36N	51E	30 NE
JACK NO. 109	EUREKA	83	259	NMC 160685	36N	51E	30 SE

BOOK 24 | PAGE 120

BOOK

798

PAGE 915

26

\*\*\*\*\*RECORDING DATA\*\*\*\*\*

NAME OF CLAIM/ AMENDED CLAIM NAME	COUNTY	OR DOCUMENT #	OR DOCUMENT #	AMENDED BOOK PAGE	ORIGINAL BOOK PAGE	BUREAU OF LAND MANAGEMENT	SERIAL NUMBER	TNSP	RANGE	SEC QTR
--------------------------------------	--------	---------------	---------------	----------------------	-----------------------	------------------------------	---------------	------	-------	---------

JACK NO. 110	EUREKA	83	260	NMC 160686	36N	51E	29	NW		
JACK NO. 111	EUREKA	83	261	NMC 160687	36N	51E	29	SW		
JACK NO. 112	EUREKA	83	262	NMC 160688	36N	51E	29	NW		
JACK NO. 113	EUREKA	83	263	NMC 160689	36N	51E	29	SW		
JACK NO. 114	EUREKA	83	264	NMC 160690	36N	51E	29	NW		
JACK NO. 115	EUREKA	83	265	NMC 160691	36N	51E	29	SW		
JACK NO. 116	EUREKA	83	266	NMC 160692	36N	51E	29	NW		
JACK NO. 117	EUREKA	83	267	NMC 160693	36N	51E	29	SW		
JACK NO. 118	EUREKA	83	268	NMC 160694	36N	51E	29	NE,NW		
JACK NO. 119	EUREKA	83	269	NMC 160695	36N	51E	29	SE,SW		
JACK NO. 120	EUREKA	83	270	NMC 160696	36N	51E	29	NE		
JACK NO. 121	EUREKA	83	271	NMC 160697	36N	51E	29	SE		
JACK NO. 122	EUREKA	83	272	NMC 160698	36N	51E	29	NE		
JACK NO. 123	EUREKA	83	273	NMC 160699	36N	51E	29	SE		
JACK NO. 124	EUREKA	83	274	NMC 160700	36N	51E	29	NE		
JACK NO. 125	EUREKA	83	275	NMC 160701	36N	51E	29	SE		
JACK NO. 126	EUREKA	83	276	NMC 160702	36N	51E	29	NE		
JACK NO. 127	EUREKA	83	277	NMC 160703	36N	51E	29	SE		
JACK NO. 128	EUREKA	83	278	NMC 160704	36N	51E	29	SW		
JACK NO. 129	EUREKA	83	279	NMC 160705	36N	51E	29	SW		
JACK NO. 130	EUREKA	83	280	NMC 160706	36N	51E	29	SW		
JACK NO. 131	EUREKA	83	281	NMC 160707	36N	51E	29	SW		

BOOK 24 | PAGE | 21

BOOK 798 | PAGE 916

86

\*\*\*\*\*RECORDING DATA\*\*\*\*\*

NAME OF CLAIM/ AMENDED CLAIM NAME	COUNTY	OR DOCUMENT #	OR DOCUMENT #	BOOK PAGE	BOOK PAGE	AMENDED	BUREAU OF LAND MANAGEMENT	SERIAL NUMBER	TNSP	RANGE	SEC	QTR
--------------------------------------	--------	---------------	---------------	-----------	-----------	---------	------------------------------	---------------	------	-------	-----	-----

JACK NO. 132	EUREKA	83	282				NMC 160708	36N	51E	29	SW,SE	
JACK NO. 133	EUREKA	83	283				NMC 160709	36N	51E	29	SE	
JACK NO. 134	EUREKA	83	284				NMC 160710	36N	51E	29	SE	
JACK NO. 135	EUREKA	83	285				NMC 160711	36N	51E	29	SE	
JACK NO. 136	EUREKA	83	286				NMC 160712	36N	51E	29	SE	
SHANNON #1	ELKO	376	503				NMC 225920	36N	50E	3	NE NW	
SHANNON #2	ELKO	376	504				NMC 225921	36N	50E	3	NE NW	
SHANNON #3	ELKO	376	505				NMC 225922	36N	50E	3	NE NW SW SE	
SHANNON #4	ELKO	376	506				NMC 225923	36N	50E	3	SW SE	
SHANNON #5	ELKO	376	507				NMC 225924	36N	50E	3	SW SE	
SHANNON #6	ELKO	376	508				NMC 225925	36N	50E	3	SW SE	
SHANNON #7	ELKO	376	509				NMC 225926	36N	50E	3	SW SE	
SHANNON #8	ELKO	376	510				NMC 225927	36N	50E	10	NE NW	
SHANNON #9	ELKO	376	511				NMC 225928	36N	50E	10	NE NW	
SHANNON #10	ELKO	376	512				NMC 225929	36N	50E	10	NE NW	
JACK NO. 148	ELKO	576	404F				NMC 432404	36N	50E	15	NE NW	
JACK NO. 149	ELKO	576	404G				NMC 432405	36N	50E	15	NE	
JACK NO. 150	EUREKA	162	177					36N				
JACK NO. 150	EUREKA	162	178				NMC 432406	36N	50E	15	NE NW SW SE	
JACK NO. 151	EUREKA	162	179				NMC 432407	36N	50E	15	NE SE	
JACK NO. 152	EUREKA	162	180				NMC 432408	36N	50E	15	SW SE	

BOOK 24 | PAGE 122

BOOK 798 | PAGE 917

70

\*\*\*\*\*RECORDING DATA\*\*\*\*\*

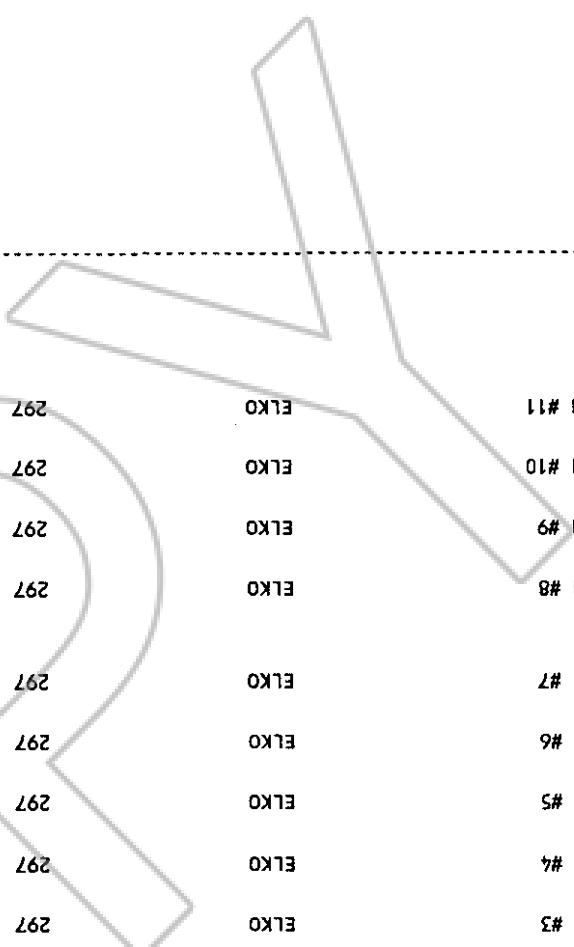
NAME OF CLAIM/ AMENDED CLAIM NAME	COUNTY	OR DOCUMENT #	OR DOCUMENT #	AMENDED BOOK PAGE	BOOK PAGE	BUREAU OF LAND MANAGEMENT	SERIAL NUMBER	TNSP	LOCATION DESCRIPTION*****
--------------------------------------	--------	---------------	---------------	----------------------	-----------	------------------------------	---------------	------	---------------------------

JACK NO. 153	EUREKA	162	181	NMC 432409	36N 50E 15	36N 50E 22 NE			SE
JACK NO. 142	ELKO	576	404	NMC 433594	36N 50E 10	36N 50E 10 NE NW SW SE			
JACK NO. 143	ELKO	576	404A	NMC 433595	36N 50E 10	36N 50E 10 NE			SE
JACK NO. 144	ELKO	576	404B	NMC 433596	36N 50E 10	36N 50E 10 SW SE			
JACK NO. 145	ELKO	576	404C	NMC 433597	36N 50E 10	36N 50E 10 SW SE			SE
JACK NO. 146	ELKO	576	404D	NMC 433598	36N 50E 10	36N 50E 10 SW SE			
JACK NO. 147	ELKO	576	404E	NMC 433599	36N 50E 10	36N 50E 15 NE			SE
JACK NO. 154	ELKO	576	404H	NMC 433600	36N 50E 10	36N 50E 10 NE NW			
JACK NO. 155	ELKO	576	404I	NMC 433601	36N 50E 10	36N 50E 10 NE NW			
HH #1	ELKO	297	7	NMC 80863	36N 50E 3	36N 50E 3 NE			
HH #2	ELKO	297	8	NMC 80864	36N 50E 3	36N 50E 3 NE			
HH #3	ELKO	297	9	NMC 80865	36N 50E 3	36N 50E 3 NE			SE
HH #4	ELKO	297	10	NMC 80866	36N 50E 3	36N 50E 3			SE
HH #5	ELKO	297	11	NMC 80867	36N 50E 3	36N 50E 3			SE
HH #6	ELKO	297	12	NMC 80868	36N 50E 3	36N 50E 3			SE
HH #7	ELKO	297	13	NMC 80869	36N 50E 3	36N 50E 3			SE
HH #8	ELKO	297	14	NMC 80870	36N 50E 10	36N 50E 10 NE			
HH #9	ELKO	297	15	NMC 80871	36N 50E 10	36N 50E 10 NE			
HH #10	ELKO	297	16	NMC 80872	36N 50E 10	36N 50E 10 NE			
HH #11	ELKO	297	17	NMC 80873	36N 50E 3	36N 51E 7 NW			

BOOK 24 | PAGE 123

BOOK 798 | PAGE 918

20





BOOK 241 PAGE 100  
OFFICIAL RECORDS  
RECORDED AT THE REQUEST OF  
*Government Exploration*  
92 OCT 29 A9:57

EUREKA COUNTY, NEVADA  
M.N. REBAL/ATI, RECORDER  
FILE NO. **142895**  
FEE \$ 30.75

327871

RECORDED BY JERRY D. REYNOLDS  
ELKO COUNTY, NEVADA  
BOOK 241 PAGE 124  
92 OCT 29 11:26

BOOK 798 PAGE 919

FILED FOR RECORD  
AT REQUEST OF  
*Government Exploration*  
92 OCT 13 AM 11:26

INDEXED

BOOK	PAGE	SECTION	DESCRIPTION	FILE #	DATE	TIME
HH #12	297	18	ELKO	NMC 80874	36N	50E
HH #13	297	19	ELKO	NMC 80875	36N	50E
HH #14	297	20	ELKO	NMC 80876	36N	50E
HH #15	297	21	ELKO	NMC 80877	36N	50E
HH #16	297	22	ELKO	NMC 80878	36N	50E
HH #17	297	23	ELKO	NMC 80879	36N	50E
HH #18	297	24	ELKO	NMC 80880	36N	50E
HH #19	297	25	ELKO	NMC 80881	36N	50E
HH #20	297	26	ELKO	NMC 80882	36N	50E
BB #1	297	27	ELKO	NMC 80883	36N	51E
BB #2	297	28	ELKO	NMC 80884	36N	51E
BB #3	297	29	ELKO	NMC 80885	36N	51E
BB #4	297	30	ELKO	NMC 80886	36N	51E
BB #5	297	31	ELKO	NMC 80887	36N	51E
BB #6	297	32	ELKO	NMC 80888	36N	51E

15