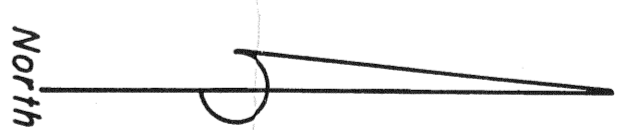
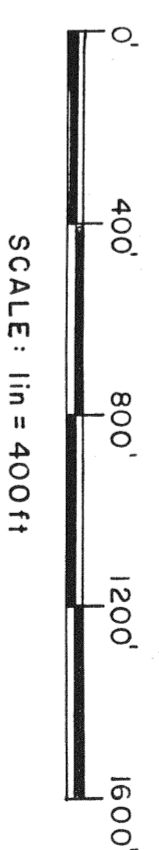


**AMENDED
LODE CLAIM MAP
HMC 1-6, 8-10 Lode Claims**

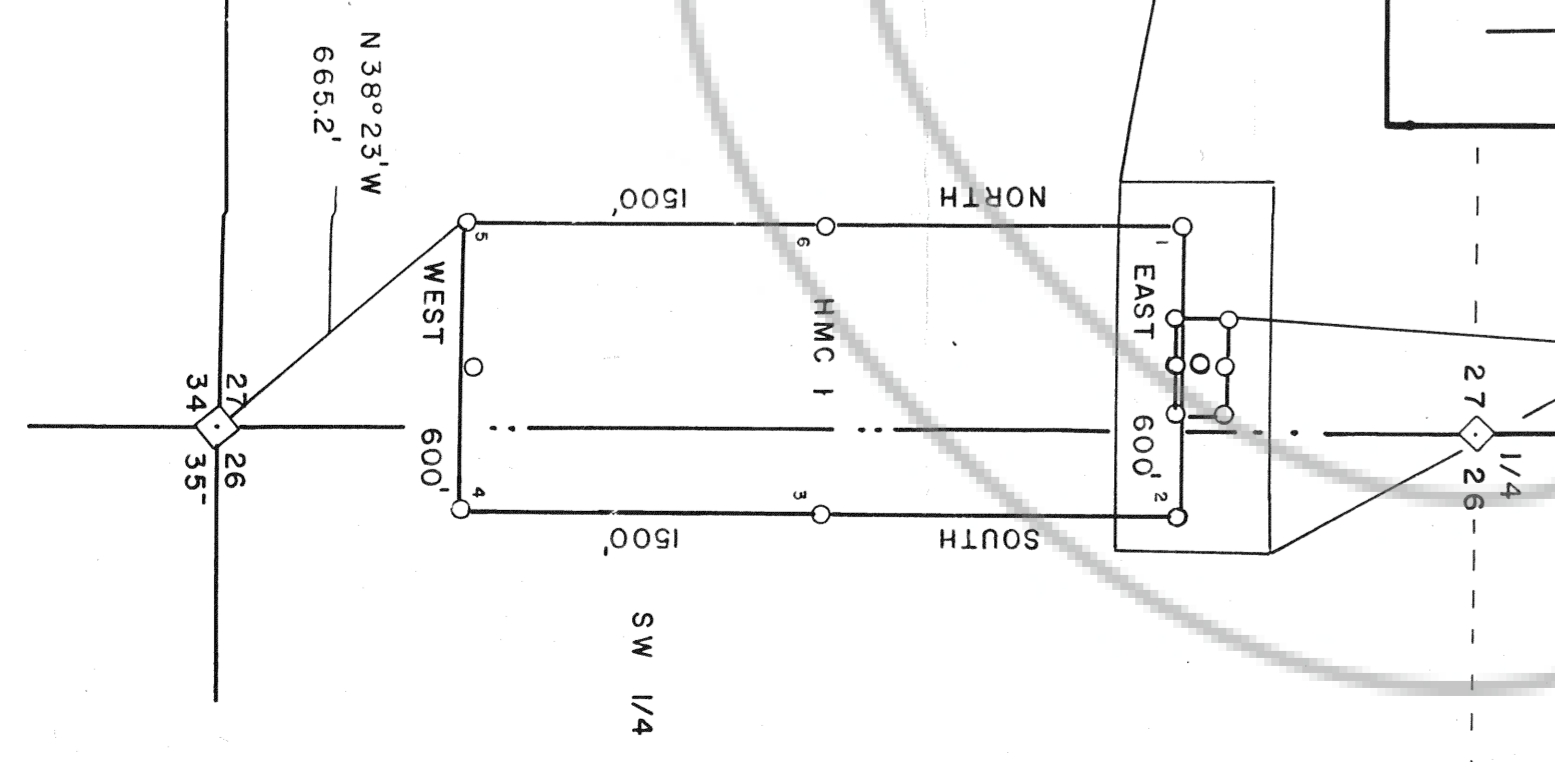
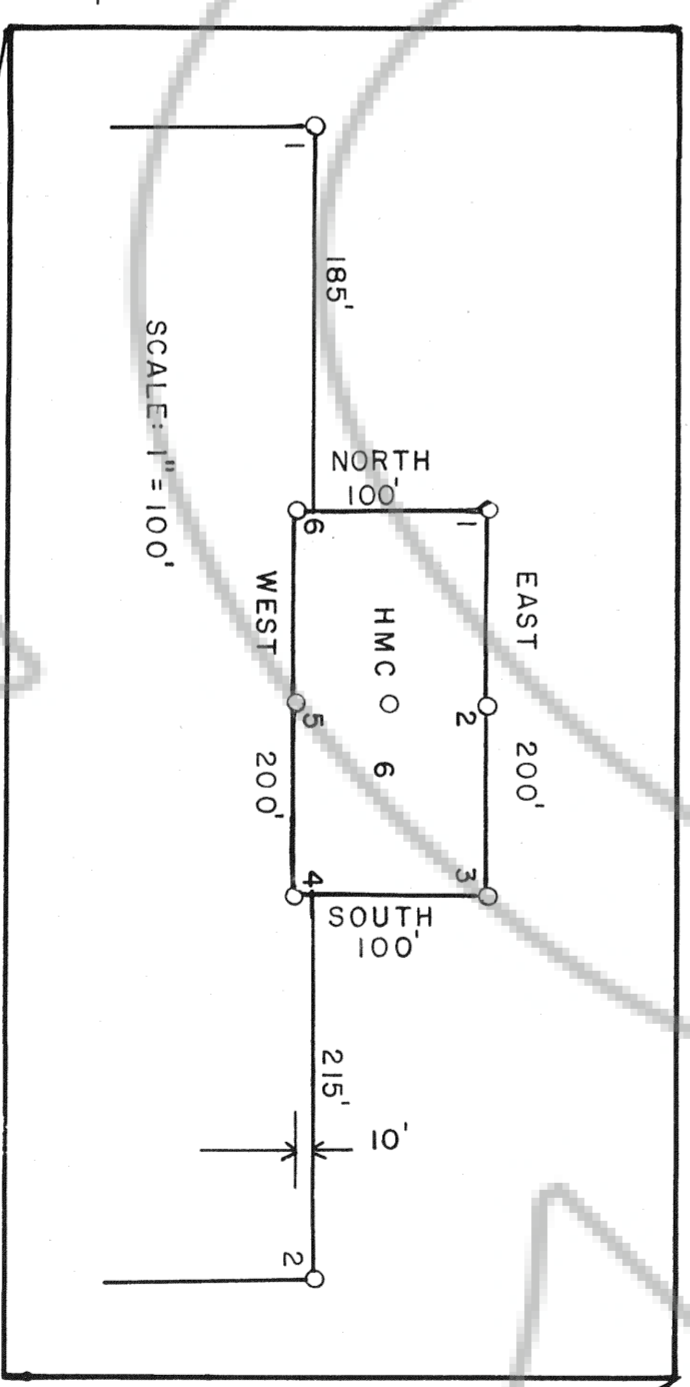
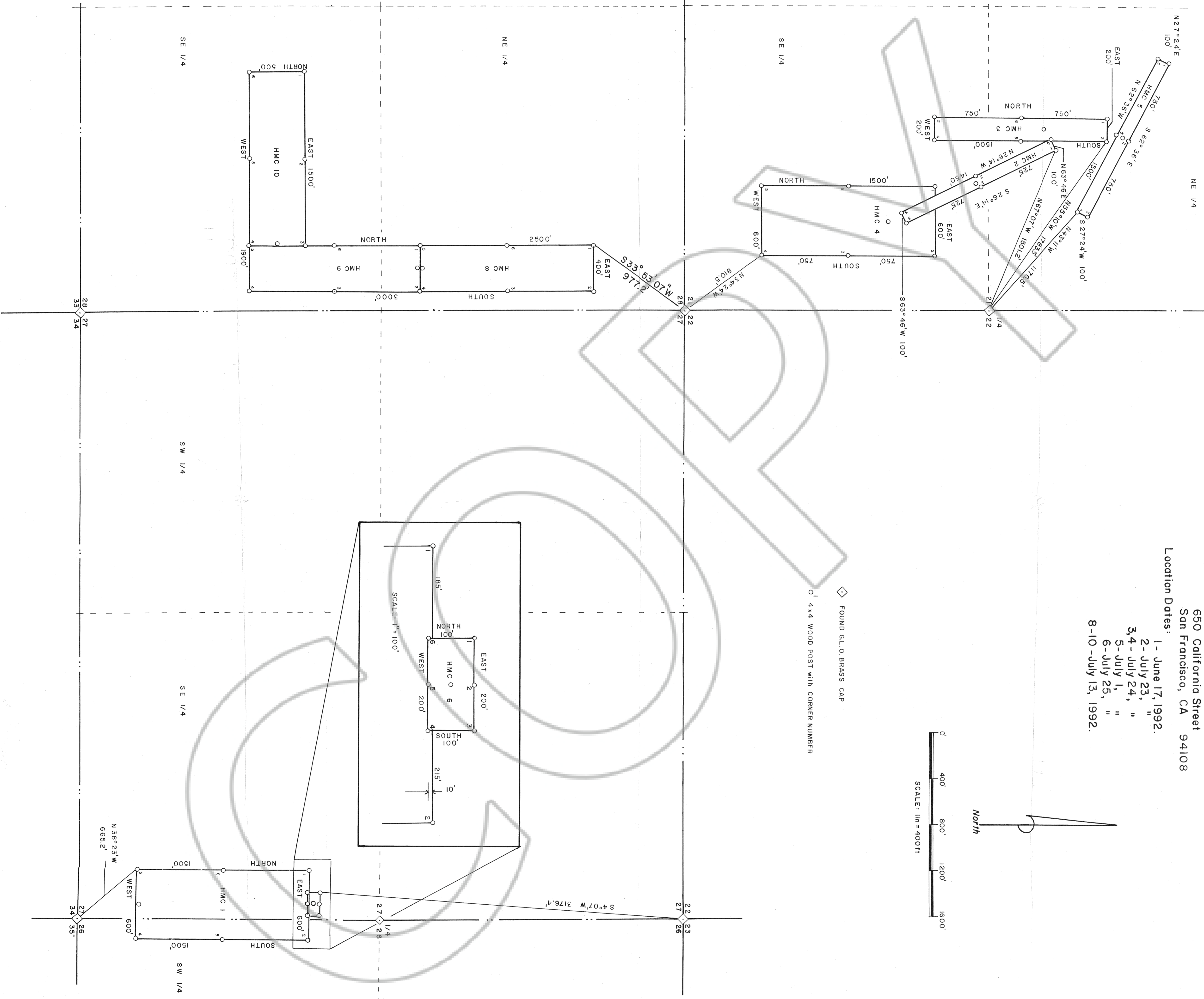
Sections 21, 26, 27, 28 T. 19 N. R. 53 E. M.D.B. & M.
Eureka County, Nevada

Locator: Homestake Mining Company of California
650 California Street
San Francisco, CA 94108

Location Dates:
1- June 17, 1992.
2- July 23, "
3, 4- July 24, "
5- July 1, "
6- July 25, "
8-10- July 13, 1992.



◇ FOUND G.L.O. BRASS CAP
○ 4"x4" WOOD POST WITH CORNER NUMBER



143319

FILED AT THE REQUEST OF *Homestake Mining Company*
on *July 5* 19 *92* at *23* minutes
RECORDS OF EUREKA COUNTY, NEVADA IN N. B. REEL 513
File No. *143319* Recorder
Fee \$ *150.00*