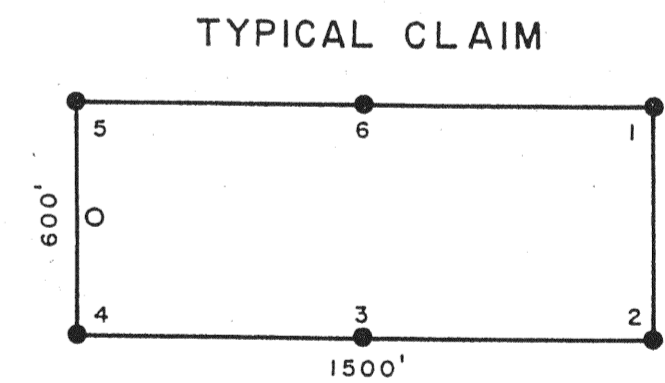
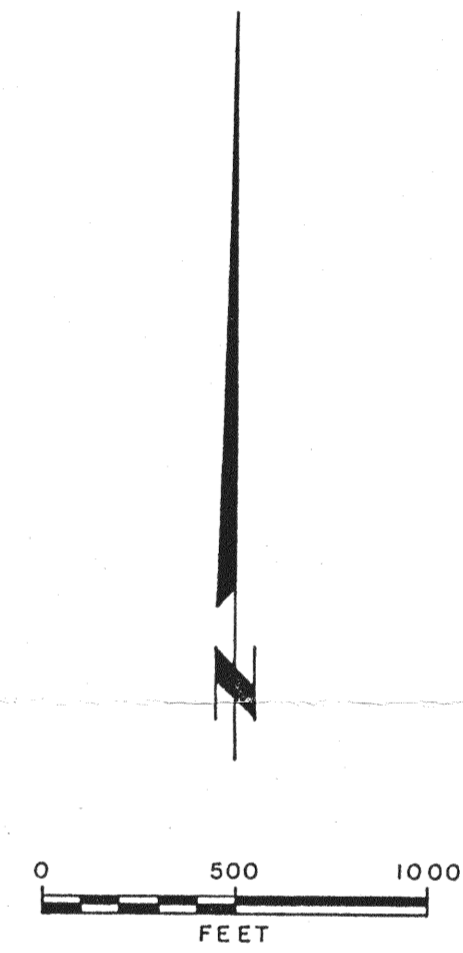
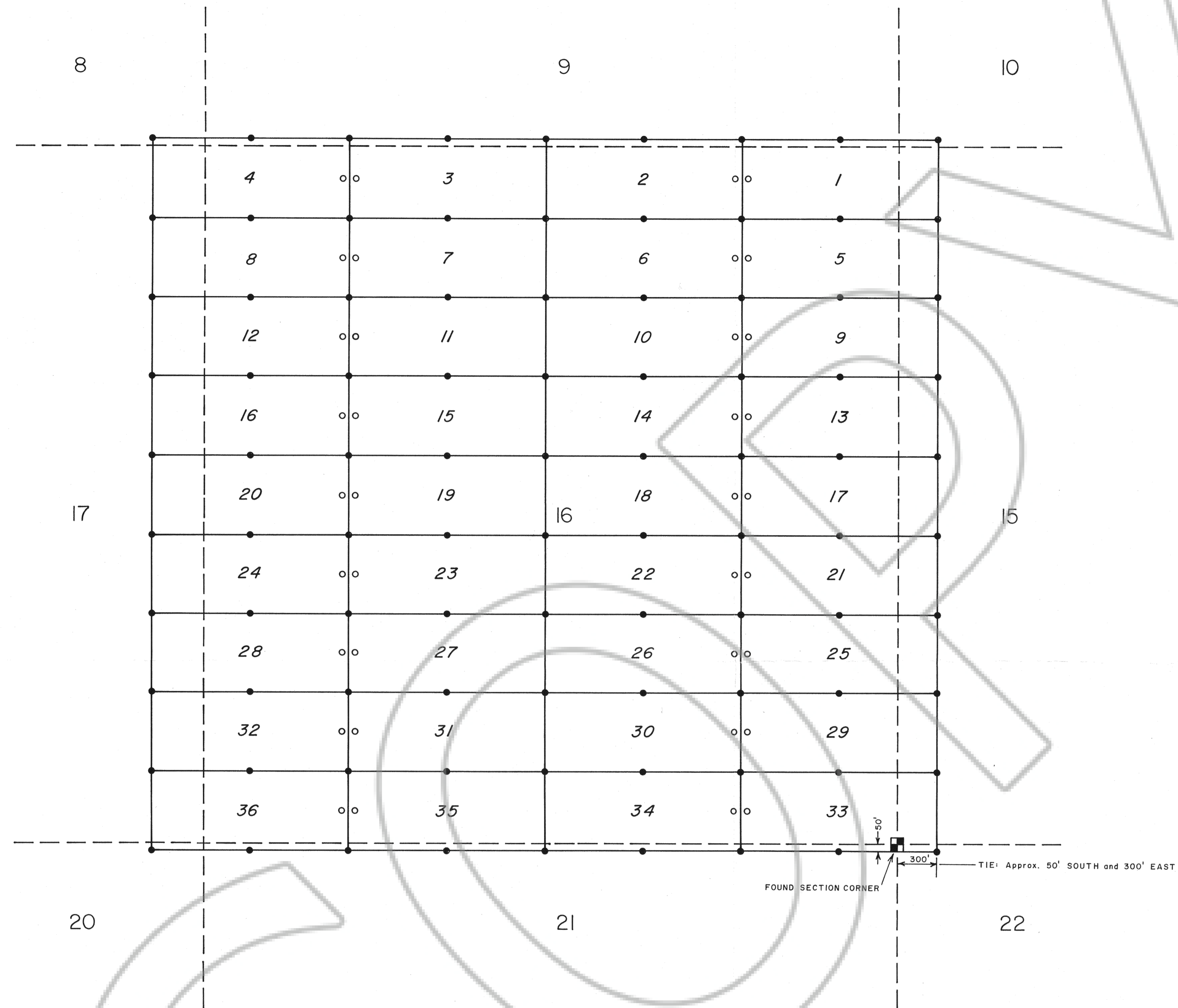


R.48E.

T.35N.



- Location Monument, 20' from end line
 - Corner and side-center posts, 4" X 4" wood
- Numbering of posts begins at NE Corner

LOCATED AND OWNED BY:
 WESTERN STATES MINERAL CORP.
 P.O. Box 3094
 Eiko, Nevada 89801

LOCATION DATE:
 November 3, 1992

CU 1-36 LODE CLAIM GROUP
 T.35N, R.48E EUREKA COUNTY, NEVADA

FILED AT THE REQUEST OF *Western States Minerals*
 on *Feb 1* 19 *92*, at *3:37* mins, past *8 AM*,
 RECORDS OF EUREKA COUNTY, NEVADA M.N. REBALEATI, Recorder
 File No. *144141* Fee \$ *540.00*