

SPECIAL WARRANTY DEED
CONVEYING INTEREST IN OVERRIDING ROYALTY

This Special Warranty Deed (this "Deed") is made this 30th

day of June, 1993 from W.L. WILSON, whose address is P.O. Box

2183, Grand Junction, CO 81502; JOAN B. WILSON, whose address is

P.O. Box 2183, Grand Junction, CO 81502; WILLIAM G. WALDECK,

whose address is P.O. Box 2188, Grand Junction, CO 81502; JOANN

K. WILSON, TRUSTEE of the JOANN K. WILSON 1988 TRUST, whose

address is 1125 Dartmouth Drive, Reno, NV 89509; H.B. SPRENGER

and BETTY SPRENGER, husband and wife, whose address is 2541

Lakeridge Shores Circle, Reno, NV 89509; and DENVER G. CHERRY,

TRUSTEE of the CORTEZ INTEREST TRUST, whose address is 2135 North

7th Street, Grand Junction, CO 81501, (the foregoing seven

parties being referred to, collectively, as the "Grantors") and

PLACER DOME U.S. INC., whose address is suite 2500, One

California Street, San Francisco, CA 94111 ("PDUS") and KENNECOTT

EXPLORATIONS (AUSTRALIA) LTD., whose address is 10 East South

Temple, Salt Lake City, Utah 84111 ("Kennecott") (the two parties

are hereinafter referred to as the "Grantees").

I.

RECITALS

1.1 By "Special Warranty Deed Conveying Overriding Royalty

Interest" dated June 30, 1993, PDUS, Cortez Joint Venture and

Cortez Gold Mines, as grantors therein, conveyed to Grantors

herein, a two and one-half percent (2½%) overriding royalty,

which deed is recorded in Book 396 at Page 23 on

July 1, 1993, in the Official Records in the office of the Recorder of Lander County, Nevada and in Book 248 at Page 284 on July 1, 1993, in the Official Records in the office of the Recorder of Eureka County, Nevada (the "2.5% Royalty Deed"), reference to which recorded deed is hereby made for all pertinent purposes.

1.2 Grantors have agreed to sell, and have sold, a portion of the two and one-half percent royalty specified in Section 1.1, above, to grantees, and this Deed is made in implementation thereof.

1.3 As used herein, "Cortez" refers to and means Cortez Joint Venture and Cortez Gold Mines, collectively, being two joint ventures composed of PDUS and Kennecott, and the successors and assigns of said joint ventures.

II.

Conveyance of Interest in Overriding Royalty

2.1 The Grantors, for and in consideration of Ten Dollars (\$10) and other valuable consideration received from grantees, the receipt and sufficiency of which is acknowledged, hereby bargain, sell, deed and convey to grantees, their successors, and assigns, a perpetual overriding royalty interest (the "Overriding Royalty") as specified below, in mining claims, mineral properties and interests therein which are subject to the 2.5% Royalty Deed, or which may hereafter become subject to the 2.5% Royalty Deed, within the "Areas of Interest" in Lander and Eureka

Countries, Nevada, all as more fully described in this Deed, and which are referred to hereinafter as the "Subject Property".

2.2 The rights, interests and the total of the overriding

Royalty conveyed under this Deed is conveyed in the respective undivided percentage to the grantees, their successors and assigns, as set forth in the following

tabulation:

<u>Name of grantee</u>	<u>Address</u>	<u>Percentage</u>
Placer Dome U.S. Inc.	One California Street Suite 2500 San Francisco, CA 94111	60%
Kennecott Explorations (Australia) Ltd.	10 East South Temple Salt Lake City, Utah 84111	40%
Total		100%

III.

Percentage, Royalty Bases, and Method of
Calculation of Overriding Royalty

3.1 Percentage of Overriding Royalty. Under and by virtue of

the overriding Royalty hereby conveyed grantees, grantees shall

be entitled to receive, in the proportions of the undivided

ownership of each as set forth in paragraph 2.2, above, an

overriding royalty (or each grantee shall be entitled to receive

its share of mineral product if grantees have elected to take

their overriding Royalty in kind) equal to the percentages set

forth below, with respect to all gold, silver, and other salable

ores metals, minerals, materials and other mine or mill product

(referred to, collectively, as "Production") produced from the

Subject Property on or after October 1, 1993, in accordance with the provisions hereinafter set forth. Subject to the provisions of Section 3.3, below, the percentage rate of the overriding Royalty shall be one percent (1%) and calculation of the overriding Royalty shall be accomplished by multiplication of the royalty percentage by the applicable royalty base (the "Royalty Base") (or by the weights of salable Production, in respect to Royalty taken in kind) all in the manner and in accordance with the provisions set forth in this Article III.

3.1(a) Gold and/or Silver: The Royalty Base applicable to gold or silver produced from the Subject Property, other than gold or silver contained in ores or concentrate which are subject to 3.1(b), below, shall be the "Gross Value", calculated as hereinbelow specified, whether produced by in situ or solution mining, by mining ores and the extraction of gold or silver by means of heap or vat leaching, by milling or other extraction method and by refining to produce "Bullion". The term "Bullion" as used herein, means refined gold or silver meeting the generally accepted commercial standards for refined gold or refined silver, as the case may be, recovered from Production by refining by an independent third-party refinery or refineries. The number of ounces (wherever used herein "ounces" refers to Troy ounces) of gold or silver contained in Bullion recovered in each month from Production shall be determined by the records pertaining thereto of the said refinery or refineries.

3.1(a)(1) Calculation of "Gross Value". "Gross Value" as used in this section 3.1(a) shall be determined by multiplying the ounces of gold and of silver contained in Bullion recovered during any calendar month, by the respective average price for gold and silver Bullion for that month, as follows:

(1) The average monthly price of gold for the month of production shall be calculated by dividing the sum of all of the prices for gold reported for the month by the London Bullion market Association in its P.M. Gold Fixes divided by the number of days for which such prices were reported.

(ii) The average monthly price for silver for the month of production shall be determined by the average New York Silver price as published daily by Handy and Harman, calculated by dividing the sum of all such prices reported for the month by the number of days for which such prices were reported.

(iii) If either the London Bullion Market Association P.M. Gold Fix or the Handy & Harman silver quotations cease to be published, all such references shall be replaced with references to prices of gold or silver for immediate delivery in the most nearly comparable established market selected by Grantors as published in "Metals Week" or a similar publication.

3.1(a)(2) Gross Value Royalty Base. The product obtained by multiplying the number of ounces of gold contained in Bullion recovered during any month by the average monthly price for gold Bullion for such month (as such average monthly price is determined as above provided), shall be added to the product obtained by multiplying the number of ounces of silver contained in silver Bullion recovered during that month by the average monthly price for silver for such month, (as such average monthly price is determined as above provided), and the sum of those amounts shall constitute the Gross Value Royalty Base for

calculation of gold/silver overriding royalty applicable to this section 3.1(a) due for that month.

3.1(a)(3) Right to Take In Kind. Either of the grantees may

elect to receive its gold/silver overriding royalty in kind by

physical delivery of gold and/or silver Bullion for any calendar

year, by notifying Cortez of its election on or before December 1

in the preceding calendar year. An election by either grantee to

receive its overriding royalty in kind shall be irrevocable for

the calendar year for which it is made. Failure of a grantee to

notify Cortez by December 1 of its election to take its

overriding royalty in kind, shall be deemed a waiver by it of all

rights to take its overriding royalty in kind during the

following calendar year. If a grantee elects to take in kind,

the amount of Bullion delivered to it shall be equivalent to the

applicable percentage of the overriding royalty rate, as

specified above multiplied by the ounces of gold and/or silver

recovered from the subject property attributable to the

applicable calendar month.

3.1(b) Ore or Concentrate Sold to Smelter: The Royalty Base

for calculation of overriding royalty in respect to ore produced

from the subject property and/or concentrate derived from ores

produced from the subject property (other than ore principally

valuable for the uranium and/or vanadium content thereof) which

are sold in an arms-length sale to a third-party smelter by

Cortez shall be the Net Smelter Returns received therefrom. The

term "Net Smelter Returns" means the amount actually received by

Cortez from the Smelter less, (1) the costs of surface

transportation, inclusive of insurance, of the ores from the

Subject Property (in the case of ores sold in the crude state) or of the concentrates from the mill (in the case of the sale of

concentrate derived from such ores) to the smelter, to the extent that such costs are paid by Cortez, (ii) the costs of smelting

such ores or concentrates if paid by Cortez and (iii) any metallurgical penalties, surcharges or other charges made or

imposed by the smelter to the extent the same are paid by Cortez. 3.1(c) Uranium and/or Vanadium Ore: The Royalty Base for

calculation of Royalty in respect to ore principally valuable for uranium and/or vanadium which is mined and sold from the Subject

Property, if such ore is sold in the crude state in an arms-length sale, shall be the Net Sales Price received therefor.

"Net Sales Price" shall mean the proceeds received from the sale of such ore less the costs of surface transportation, including

insurance, of the ore from the Subject Property to the point of sale. If such ore is concentrated by Cortez, either in its own

facilities or by means of tolling arrangements, or if such ores are sold other than as a result of an arms-length transaction,

then the term "Net Sales Price" shall mean the prevailing price paid at the time such ore is mined for ores of like grade and

metallurgical characteristics f.o.b. the Subject Property by other purchases of uranium and/or vanadium ores.

3.1(d) Other Mineral, Substances and Ores: If Cortez should produce and sell any minerals, substances or ores from the

Subject Property, other than those encompassed within the provisions of subparagraphs (a) through (c) above, the Royalty Base for calculation of the overriding Royalty applicable thereto shall be the net proceeds received for such substances after deducting the cost of the transportation thereof from the Subject Property to the point of sale.

3.2 Effect of Imposition of Federal Royalty: Net Proceeds of

Mines Taxes: If, in the future, a royalty is imposed on, and required to be paid upon production from, mining claims by the United States of America, the amount of such royalty actually paid to the United States by Cortez may be deducted by Cortez from the applicable Royalty Base before calculation of the Royalty payable in respect to production from claims burdened by such United States royalty. Grantees shall be responsible for payment of any Net Proceeds of Mines taxes imposed by the State of Nevada in respect to overriding Royalty paid under this Deed.

3.3 Percentage of Royalty Rates Applicable to Pipeline

Claims. The "Pipeline Claims," as used herein, means those mining claims described in Schedule II hereto attached and incorporated herein. In respect to production from the Pipeline Claims, the percentage of the royalty rate for calculation of the Royalty shall be one and one-half percent (1.5%) until a cumulative total of 3,700,000 ounces of gold has been produced from the Pipeline Claims by Cortez. After 3,700,000 ounces of gold have been produced from the Pipeline Claims by Cortez, the

percentage royalty rate applicable to the Pipeline Claims shall be one percent (1%).

3.4 Commingle of Ores. Prior to the time and until Cortez shall have produced a cumulative total of 3,700,000 ounces of gold from the Pipeline Claims, Cortez shall not commingle Production derived from other portions of the Area of Interest with Production derived from the Pipeline Claims, and, at no time, shall Cortez commingle ores, minerals or materials produced from properties outside of the Area of Interest (defined in Sections 3.2 and 3.3, below) with Production derived from properties within the Area of Interest, except and unless all such commingled ores, minerals and material comprising Production from each source have first been weighted or measured, sampled, assayed and metallurgically analyzed in accordance with sound mining and metallurgical practice in order that the overriding Royalty due Grantees hereunder can be reasonably and accurately determined. Upon request of Cortez, Grantees shall have the right to have a representative present at the time all such samples and measurements are taken. Grantees shall have the right to obtain sample splits for separate assaying in order to determine the accuracy of the assays of Cortez. Cortez shall make available to Grantees pertinent technical data and records within its possession reasonably required to determine the accuracy of calculation made by Cortez of overriding Royalty payable upon commingled ores, minerals or materials.

3.5 Furnishing Marketing Information. Cortez shall supply

grantees monthly with duplicate settlement sheets from any

refinery, mill, smelter or other purchaser of production derived

from the Subject Property, whether or not the mine products have

been sold, and shall be supplied with Cortez' monthly reports of

mining, milling and leaching activities and sufficient

information as to the amounts of the gold and silver contained in

dore and Bullion recovered during the month so that grantees will

be able to determine the amount of production on which overriding

Royalty is due grantees.

3.6 Payment of Royalty. Payments of Royalty shall be made by

check or wire transfer, at the election of grantees.

IV.

Subject Property

4.1 Properties and Interests Presently Owned or Held by

Cortez. The mining claims, properties and interests therein

presently owned or held by Cortez which are subject to the

overriding Royalty and rights and interests conveyed to grantees

under this Deed, are specifically listed and described on

Schedule I and II, hereto attached and incorporated herein by

this reference for all purposes. The portion of the claims

referred to as the "Pipeline Claims" in paragraph 3.3, above, are

listed and described in Schedule II, hereto and identified

therein as the "Pipeline Claims." The area encompassed within

the exterior peripheral boundary of the Pipeline Claims is

referred to, below, as the "Pipeline Area." If any of the

Pipeline claims are amended, relocated, patented, or if any new claims or properties or interests therein granting mining rights to Cortez are obtained by Cortez, within the Pipeline Area, such amended, relocated, patented, new claims, properties or interests therein shall be subject to the overriding Royalty and rights and interests granted grantees hereunder and shall continue to be denominated as a part of the "Pipeline Claims" in respect to the provisions of paragraph 3.3, above.

4.2 Areas of Interest. If Cortez should amend, relocate or

patent any of the mining claims which are or which may become subject to this Deed, or if Cortez should acquire any mineral interests within the hereinbelow described areas (the "Areas of Interest"), any such amended, relocated or patented claim or newly acquired mineral interest shall be considered for all purposes, to be a part of the Subject Property, subject to all of the terms and conditions of this Deed, including the obligation to pay grantees the Royalty thereon as specified in Article III hereof.

4.2(a) Initial Area of Interest: The "Initial Area of

Interest" (which is the same area of interest to which the Cortez joint venture is subject) is described as:

Beginning at a point which is described as 40.00', North

Latitude, 116.30', West Longitude (which point is also the

southeast corner of the Cortez 15' Quadrangle map published by

the U.S. Geological Survey (USGS);

thece west along a line which is 40.00' North Latitude to a point which is described as 40.00' North Latitude, 116.45', West Longitude, which point is also the southwest corner of the

Longitude, which point is also the southwest corner of the

thece north along a line which is 116.00', West Longitude to a point which is described as 40.10' North Latitude, 116.45' West

Longitude;

thece west along a line which is 40.10' North Latitude to a point which is 40.10' North Latitude, 117.00' West Longitude;

thece north along a line which is described as 117.00' West

Longitude to a point which is 40.30' North Latitude, 117.00' West Longitude, which point is also the northwest corner of the Mt.

Lewis 15' Quadrangle, published by the USGS;

thece east along a line which is 40.30' North Latitude to a point which is described as 40.30' North Latitude, 116.40' West

Longitude;

thece south along a line which is 116.40' West Longitude to a point which is described as 40.15' North Latitude, 116.40' West

Longitude;

thece east along a line which is 40.15' North Latitude to a point which is described as 40.15' North Latitude, 116.30' West

Longitude, which point is also the northeast corner of the said USGS Cortez 15' Quadrangle;

thece south along a line which is 116.30' West Longitude to the point of beginning, which is 40.00' North Latitude, 116.30'

West Longitude, and which is the Southeast corner of the said

Cortez 15' Quadrangle.

In addition to the above described area, the Initial Area of

Interest shall include that area in Eureka County, Nevada, the

exterior boundary of which is the circumference of a circle which

has a radius of two and one-half (2.5) miles and which has its

center at U.S.L.M. Number 228, Eureka County, Nevada.

The Initial Area of Interest includes the entire Cortez and

Mt. Lewis 15' quadrangles, as well as the described portions of

the Crescent Valley, Carico Lake and Horse Creek Valley 15'

quadrangles, and is within Lander and Eureka Counties Nevada.

4.2(b) Additional Areas of Interest. In addition to the area

described above, the following properties and areas are outside

the boundaries of the area described above, but are held by or

for the account of Cortez, and are subject to the obligation of

Cortez to pay to grantees the same royalty as would be applicable

if such properties were within the area described in 4.2, above:

A. That portion of the Mule Group of claims which is

outside the boundaries of the area described above. These claims

are within Section 36, T.28N., R.48E., and Section 6, T.27N.,

R.49E., MDB&M.

B. That portion of the GRM Group which are subject to the

Prospecting Permit and Purchase Option Agreement dated August 13,

1991 between PDUS and Gold Fields Mining Company, and which are

situate outside the boundaries of the area described above.

These claims are situate Sections 1, 2, 3, 10, 11, 12, 13, 14,

15, 22, 23, 27 and 34, T.28N., R.47E., MDB&M.

c. That portion of the Sam Group which is outside the boundaries of the area described above. These claims are within Sections 31, 32, and 33, T.28N., R.48E., MDB&M.

D. That area within the peripheral boundary of the Zeke group of unpatented mining claims, comprised of the following claims (all situate in Eureka County, Nevada):

Zeke 1 to 18	NMC 14012 to 140129
Zeke 21 to 23	NMC 140130 to 140132
Zeke 25, 26	NMC 140133, 140134
Zeke 29 to 78	NMC 303126 to 303175
Zeke 80 to 90	NMC 303177 to 303187
Zeke 103 to 136	NMC 400781 to 400814
Zeke 139 to 148	NMC 419628 to 419637
Zeke 15A, 17A, 18A	NMC 563812 to 563814

4.3 Effect of Loss of Gold Fields' Claims. The mining claims

listed in Part III.(x) of Schedule I and in Section A of Schedule II hereto, record title to which is held by Gold Fields Mining Company ("Gold Fields") subject to the rights and interests of Grantors under a Prospecting Permit and Option to Purchase Agreement dated August 13, 1991 between Gold Fields and PDUS (the "Option") are referred to in this paragraph 4.3 as the "Gold Fields Claims." Although PDUS has notified Gold Fields of

exercise of the Option and tendered the balance of the purchase price for the Gold Fields Claims, Gold Fields has not, as yet, accepted the payment and litigation is now pending in which Gold Fields may seek to contest PDUS's right to acquire the Gold Fields Claims. Notwithstanding any provision to the contrary herein contained, if PDUS and/or Cortez is unable to acquire the right to mine the Gold Fields Claims, such claims shall be

excluded from the Subject Property, the Pipeline Claims and the

Pipeline Area and shall not be subject to the Royalty and other rights and interest conveyed to grantees under this Deed.

V.

Right of First Refusal

5.1 Grant of Right of First Refusal. Except as provided in

Section 5.2 below, if either of the grantees should elect to sell all or a portion of his or her rights and interest in the Subject Property and has received an offer therefor from a third party

(which may be conditioned upon the performance of usual and customary "due diligence" by the offering third party), the offering grantee shall first offer the interest to be sold to

cortez by written notice specifying the name of the prospective purchaser, the portion of the interest to be sold and the price

(which in any event must be a monetary amount) and the terms of payment of the purchase price. Within 30 days of the date of

said notice, cortez may notify the offering grantee of cortez'

election to purchase the offered interest at a price equal to the price and payment terms offered by the offering third party. If

cortez fails, within the said 30-day period, to agree to purchase the interest offered, then at the end of the period the offering

grantee may proceed with the sale to the offering third party at the price and in accordance with the terms contained in the said

notice given to cortez, provided that the closing of the sale to the third party shall be made within 120 days of the end of the

30-day period specified above, or the sale shall become void and cortez' first refusal rights shall be reinstated. If cortez

agrees to purchase the offered interest, in the manner above

provided, a closing of the sale to Cortez shall be held within 30 days thereafter. The rights and obligations contained in this paragraph 5.1 shall expire and terminate twenty-one (21) years after the death of W.L. Wilson, one of the grantors herein.

5.2 Circumstances Excluded From Right of First Refusal. The right of refusal granted by paragraph 5.1, above, shall not apply to nor restrict any of the following:

(a) The mortgaging or encumbering of a grantee's interest as collateral for loans nor to a foreclosure sale which might result therefrom;

(b) Transfers by a grantee to a corporation or partnership in which the grantee owns a majority of the issued stock or in which the grantee is a general partner; and

(c) Transfers made to PDUs and/or Kennecott. Transferees under this Section 5.2 shall be subject to the provisions of Section 5.1.

VI.

Miscellaneous

6.1 Limitations Under Rule Against Perpetuities. The rights

conferred and the obligations imposed by Section 5.1, above, shall terminate twenty-one (21) years after the death of the survivor of W.L. Wilson, Joan B. Wilson, and their presently living children, Suzanne Kelly Wilson, William Brent Wilson, Juliet Ross Wilson and Hollis Carolyn Wilson.

6.2 Notices. All notices which may be made under the

provisions of this Deed shall be in writing and, at the election of the party giving the notice, may be sent by facsimile

transmission ("Fax"), the notice shall be deemed effective on the first business day following the date the Fax was transmitted and the confirming copy thereof was placed in the United state mail.

If notice is given by mail only, the notice shall be deemed

effective 48 hours after it was placed in the United States mail.

Either a confirming copy of a notice transmitted by Fax or a copy

sent by mail only shall be sent by first class registered or

certified U.S. Mail in a properly addressed and stamped envelope

with return receipt requested. The respective persons designated

to receive notices for the parties, their address and Fax numbers

are as follows:

For PDUS and Cortez:

Placer Dome U.S. Inc.
Attention: C. E. McFarland
One California Street, Suite 2500
San Francisco, California 9411-5472
Fax: (415) 391-5751

With copy to:

Placer Dome U.S. Inc.
Attention: D. Lee
240 South Rock Boulevard, Suite 117
Reno, Nevada 89502
Fax: (702) 856-7509

For Grantors:

M.L. Wilson
P.O. Box 2183
Grand Junction, CO 81502
Fax: (303) 243-7806

With copy to:

William G. Waldeck, Esq.
Attorney at Law
P.O. Box 2188
Grand Junction, CO 81502
Fax: (303) 243-7738

For Kennecott:

Kennecott Explorations (Australia) Ltd.
Attention: Tom Myatt
10 East South Temple
Salt Lake City, Utah 84111
Fax: (801) 322-7355

Grantors may change the address(es) and/or the Fax numbers to

which or persons to whose attention notices are required to be

given by written notices to the other parties designated above,

and grantees, and, in like manner, may change the address(es)

and/or Fax numbers to which or person to whom notices shall be

given, by giving written notice of such change to Grantors.

6.3 Consent and Joinder by Cortez. By the execution of this

Deed by Cortez, Cortez consents to any provision herein contained

requiring agreement of Cortez. Cortez agrees to perform as

required, and be bound by, any of the obligations imposed on

Cortez by the provision so of this Deed.

6.4 Binding Effect and Benefit. The provisions of this Deed

shall be binding upon and inure to the benefit of the Grantors

and grantees and their respective successors, personal

representatives, heirs and assigns.

6.5 After Acquired Title, Further Assurances. The Royalty

and other rights and interests conveyed to grantees hereby shall

attach and appertain to all of the mining claims, mineral rights,

properties, leases or interests therein described in Schedules I and II and also to any other mining claims or mineral rights,

properties, leases or interest therein granting mining operating rights to Cortez within the Areas of Interest hereafter acquired by Cortez without the necessity of the execution of amendment to or supplementation of this Deed. Nevertheless, in order to

supply record definitiveness to the properties and interests burdened by the Royalty, Grantors agree from time to time to execute and deliver to grantees such deeds and other recordable instruments and to give such other assurances or may be

reasonably required to achieve that purpose.

6.6 Special Warranty of Title. Grantors warrant title to the rights, titles and interests granted and conveyed to grantees by this Deed against, but only against, any person or party lawfully claiming the whole or any part thereof by through or under grantors.

6.7 Effect of Headings. Headings and captions used in this Deed and grouping of provision herein into separate Articles, Sections and paragraphs are for ease of reference and convenience, and do not in and of themselves limit, expand, construe or modify the provisions contained herein.

EXECUTED this 30th day of June, 1993.

William G. Waldeck M.L. WILSON
Joann K. Wilson JOAN B. WILSON
Joann K. Wilson, Trustee of THE JOANN K. WILSON 1988 TRUST

H.B. SPRENGER
H.B. SPRENGER
BETTY SPRENGER

DENVER G. CHERRY, TRUSTEE
OF THE CORTEZ INTEREST TRUST

Cortez Joint Venture and Cortez Gold Mines, Joint ventures composed of Placer Dome U.S. Inc. and Kennecott Explorations (Australia) Ltd., hereby join in the execution of the foregoing deed and agree and consent to the provisions of Section 6.3 thereof.

CORTEZ JOINT VENTURE

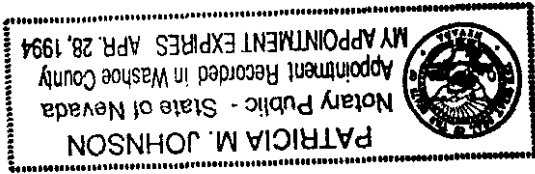
BY: PLACER DOME U.S. INC.

BY:

CORTEZ GOLD MINES

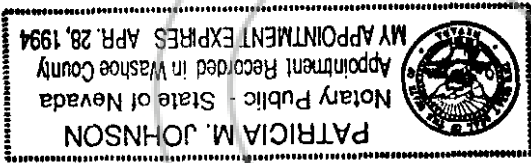
BY: PLACER DOME U.S. INC.

BY:



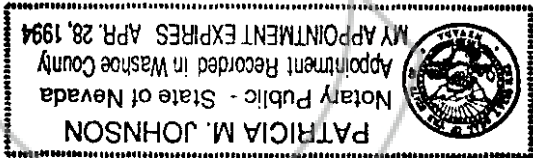
NOTARY PUBLIC

WITNESS MY HAND AND OFFICIAL SEAL.
On the 30th day of June, 1993, personally appeared before me, a Notary Public, WILLIAM G. WALDECK who acknowledged that he executed the foregoing instrument.



NOTARY PUBLIC

WITNESS MY HAND AND OFFICIAL SEAL.
On the 30th day of June, 1993, personally appeared before me, a Notary Public, JOAN WILSON who acknowledged that he executed the foregoing instrument.

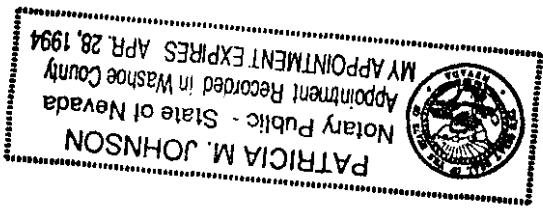


NOTARY PUBLIC

WITNESS MY HAND AND OFFICIAL SEAL.
On the 30th day of June, 1993, personally appeared before me, a Notary Public, W.L. WILSON who acknowledged that he executed the foregoing instrument.

STATE OF NEVADA)
COUNTY OF WASHOE)
ss.)

CERTIFICATE OF ACKNOWLEDGEMENT

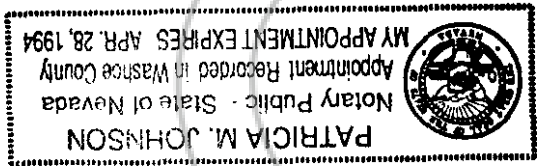


NOTARY PUBLIC

[Handwritten signature]

WITNESS MY HAND AND OFFICIAL SEAL.

On the 30th day of June, 1993, personally appeared before me, a Notary Public, JOANN K. WILSON, who acknowledges that she is the Trustee of the JOANN K. WILSON 1988 TRUST, and that the above instrument was signed on behalf of said Trust by authority of the Trust instrument and that JOANN K. WILSON executed the instrument on behalf of the Trust and in her capacity as the Trustee thereof.

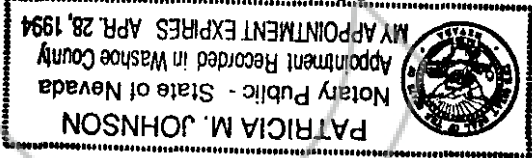


NOTARY PUBLIC

[Handwritten signature]

WITNESS MY HAND AND OFFICIAL SEAL.

On the 30th day of June, 1993, personally appeared before me, a Notary Public, BETTY SPRENGER who acknowledged that he executed the foregoing instrument.



NOTARY PUBLIC

[Handwritten signature]

WITNESS MY HAND AND OFFICIAL SEAL.

On the 30th day of June, 1993, personally appeared before me, a Notary Public, H.B. SPRENGER who acknowledged that he executed the foregoing instrument.

STATE OF NEVADA)
COUNTY OF WASHOE)
ss.)

STATE OF NEVADA)
)
) ss.)
) COUNTY OF WASHOE)

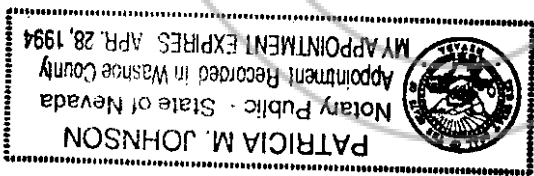
John

On the 30th day of June, 1993, personally appeared before me, a Notary Public, DENVER G. CHERRY, who acknowledges that he is the Trustee of the CORTEZ INTEREST TRUST, and that the above instrument was signed on behalf of said Trust by authority of the Trust Instrument and that DENVER G. CHERRY executed the instrument on behalf of the Trust and in his capacity as the Trustee thereof.

WITNESS MY HAND AND OFFICIAL SEAL.

NOTARY PUBLIC

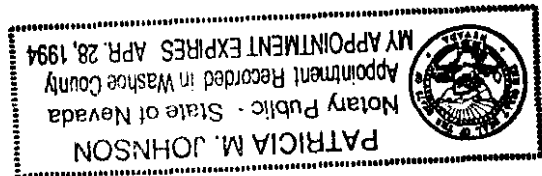
Patricia M. Johnson



COPIES

STATE OF NEVADA)
 COUNTY OF WASHOE)
)
) ss.)
)
 On this 30th day of June, 1993, personally appeared before me, Richard Duncan, the Vice President a notary public, the Vice President of Placer Dome U.S. Inc., Manager and on behalf of the Cortez Joint Venture, personally known (or proved) to me to be the person whose name is subscribed to the above instrument who acknowledged that he executed the same.

WITNESS MY HAND AND OFFICIAL SEAL.

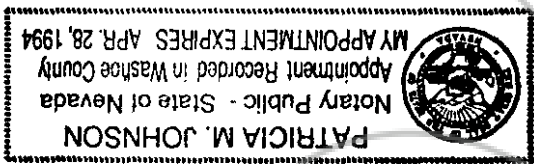


NOTARY PUBLIC

[Signature]

STATE OF NEVADA)
 COUNTY OF WASHOE)
)
) ss.)
)

On this 30th day of June, 1993, personally appeared before me, Richard Duncan, the Vice President a notary public, the Vice President of Placer Dome U.S. Inc., Manager and on behalf of Cortez Gold Mines, personally known (or proved) to me to be the person whose name is subscribed to the above instrument who acknowledged that he executed the same.



NOTARY PUBLIC

[Signature]

SCHEDULE I TO SPECIAL WARRANTY DEED
CONVEYING INTEREST IN OVERRIDING ROYALTY

I. Unpatented lode claims owned by the Cortez Joint Venture, Cortez Gold Mines, or Placer Dome U.S. Inc. within the defined Cortez Joint Venture Area of Interest.

CLAIM NAME RECORDING INFORMATION SERIAL NO. BLM

NMC 70545
NMC 69742
NMC 401466
NMC 401467
NMC 401468
NMC 401469
NMC 401470
NMC 401471
NMC 401472
NMC 401473
NMC 401474
NMC 401475
NMC 401476
NMC 401477
NMC 401478
NMC 401479
NMC 401480
NMC 401481
NMC 401482
NMC 401483
NMC 401484
NMC 401485
NMC 401486
NMC 401487
NMC 401488
NMC 401489
NMC 401490
NMC 401491
NMC 401492
NMC 401493
NMC 401494
NMC 401495
NMC 401496
NMC 401497
NMC 401498
NMC 401499
NMC 401500
NMC 401501
NMC 401502
NMC 401503
NMC 401504
NMC 401505

6A Mine
7 Come 11
A # 1
A # 2
A # 3
A # 4
A # 5
A # 6
A # 7
A # 8
A # 9
A # 10
A # 11
A # 12
A # 13
A # 14
A # 15
A # 16
A # 17
A # 18
A # 19
A # 20
A # 21
A # 22
A # 23
A # 24
A # 25
A # 26
A # 27
A # 28
A # 29
A # 30
A # 31
A # 32
A # 33
A # 34
A # 35
A # 36
A # 37
A # 38
A # 39
A # 40

SCHEDULE I TO SPECIAL WARRANTY DEED
CONVEYING INTEREST IN OVERRIDING ROYALTY

CLAIM NAME RECORDING INFORMATION SERIAL NO.

CLAIM NAME	RECORDING INFORMATION	SERIAL NO.
Ada	NMC	65699
Ada	NMC	65700
Ada	NMC	65701
Ada	NMC	65702
Ada	NMC	65703
Ada	NMC	65704
Ada	NMC	65705
Ada	NMC	65706
Ada	NMC	65707
Ada	NMC	65708
Ada	NMC	65709
Ada	NMC	73730
Ada	NMC	73731
Ada	NMC	73732
Ada	NMC	73733
Ada	NMC	73734
Ada	NMC	73735
Ada	NMC	65710
Ada	NMC	65711
Ada	NMC	65712
Ada	NMC	65713
Ada	NMC	65714
Ada	NMC	65715
Ada	NMC	73736
Ada	NMC	73737
Ada	NMC	73738
Ada	NMC	73739
Ada	NMC	73740
Ada	NMC	73741
Ada	NMC	73742
Ada	NMC	73743
Ada	NMC	73744
Ada	NMC	65716
Ada	NMC	65717
Ada	NMC	65718
Ada	NMC	65719
Ada	NMC	65720
Ada	NMC	65721
Ada	NMC	65722
Ada	NMC	65723
Ada	NMC	65724
Ada	NMC	65725
Ada	NMC	65726
Ada	NMC	65727
Ada	NMC	65728
Ada	NMC	65729

SCHEDULE I TO SPECIAL WARRANTY DEED
CONVEYING INTEREST IN OVERRIDING ROYALTY

CLAIM NAME RECORDING INFORMATION SERIAL NO.

Ada	63	NMC	73745
Ada	64	NMC	73746
Ada	65	NMC	73747
Ada	66	NMC	73748
Ada	67	NMC	73749
Ada	68	NMC	73750
Ada	69	NMC	73751
Ada	70	NMC	73752
Ada	71	NMC	73753
Ada	72	NMC	73754
Ada	73	NMC	73755
Ada	74	NMC	73756
Ada	75	NMC	73757
Ada	76	NMC	73758
Ada	77	NMC	73759
Ada	78	NMC	73760
Ada	79	NMC	73761
Ada	80	NMC	73762
Ada	81	NMC	73763
Ada	82	NMC	73764
Ada	83	NMC	73765
Ada	84	NMC	73766
Ada	100	NMC	73767
Ada	101	NMC	73768
Ada	102	NMC	73769
Ada	103	NMC	73770
Ada	104	NMC	73771
Ada	105	NMC	73772
Ada	106	NMC	73773
Ada	107	NMC	73774
Ada	108	NMC	73775
Ada	109	NMC	73776
Ada	110	NMC	73777
Ada	111	NMC	73778
Ada	112	NMC	73779
Ada	113	NMC	73780
Ada	114	NMC	73781
Ada	115	NMC	73782
Ada	116	NMC	73783
Ada	117	NMC	73784
Ada	118	NMC	73785
Ada	119	NMC	73786
Ada	120	NMC	73787
Ada	121	NMC	73788
Ada	122	NMC	73789
Ada	123	NMC	73790

SCHEDULE I TO SPECIAL WARRANTY DEED
CONVEYING INTEREST IN OVERRIDING ROYALTY

CLAIM NAME RECORDING INFORMATION SERIAL NO.

Ada 124	NMC 73791
Ada 125	NMC 73792
Ada 126	NMC 73793
Ada 127	NMC 73794
Ada 128	NMC 73795
Ada 129	NMC 73796
Ada 130	NMC 73797
Ada 131	NMC 73798
Ada 132	NMC 73799
Ada 133	NMC 73800
Ada 134	NMC 73801
Ada 135	NMC 73802
Ada 136	NMC 73803
Ada 137	NMC 73804
Ada 138	NMC 73805
Ada 139	NMC 73806
Ada 140	NMC 73807
Ada 141	NMC 73808
Ada 142	NMC 73809
Ada 143	NMC 73810
Ada 144	NMC 73811
Ada 145	NMC 73812
Ada 146	NMC 73813
Ada 147	NMC 73814
Ada 148	NMC 73815
Ada 149	NMC 73816
Ada 150	NMC 73817
Ada 151	NMC 73818
Ada 152	NMC 73819
Ada 153	NMC 73820
Ada 154	NMC 73821
Ada 155	NMC 73822
Ada 156	NMC 73823
Ada 157	NMC 73824
Ada 158	NMC 73825
Ada 159	NMC 73826
Ada 161	NMC 73827
Ada 162	NMC 73828
Ada 175	NMC 65730
Ada 176	NMC 65731
Ada 177	NMC 65732
Alert	NMC 68303
Alpha	NMC 68209
Ash	NMC 69753
ASHFRAC	NMC 667022
B # 1	NMC 401506

Book 387 Page 453
Book 387 Page 456

Page 4 of Part I

BOOK 249 PAGE 028

SCHEDULE I TO SPECIAL WARRANTY DEED
CONVEYING INTEREST IN OVERRIDING ROYALTY

CLAIM NAME RECORDING INFORMATION SERIAL NO.

B #	2	NMC	401507
B #	3	NMC	401508
B #	4	NMC	401509
B #	5	NMC	401510
B #	6	NMC	401511
B #	7	NMC	401512
B #	8	NMC	401513
B #	9	NMC	401514
B #	10	NMC	401515
B #	11	NMC	401516
B #	12	NMC	401517
B #	13	NMC	401518
B #	14	NMC	401519
B #	15	NMC	401520
B #	16	NMC	401521
B #	17	NMC	401522
B #	18	NMC	401523
B #	19	NMC	401524
B #	20	NMC	401525
B #	21	NMC	401526
B #	22	NMC	401527
B #	23	NMC	401528
B #	24	NMC	401529
B #	25	NMC	401530
B #	26	NMC	401531
B #	27	NMC	401532
B #	28	NMC	401533
B #	29	NMC	401534
B #	30	NMC	401535
B #	31	NMC	401536
B #	32	NMC	401537
B #	33	NMC	401538
B #	34	NMC	401539
B #	35	NMC	401540
B #	36	NMC	401541
B #	37	NMC	401542
B #	38	NMC	401543
Beta		NMC	68208
Billie #	1	NMC	84204
Billie #	2	NMC	84205
Billie #	3	NMC	84206
Billie R4		NMC	671292
Blue Dick #	1	NMC	66851
Blue Dick #	2	NMC	66852
Blue Dick #	31	NMC	66854
Blue Dick #	32	NMC	66855

Page 5 of Part I

BOOK 249 PAGE 029

SCHEDULE I TO SPECIAL WARRANTY DEED
CONVEYING INTEREST IN OVERRIDING ROYALTY

CLAIM NAME RECORDING INFORMATION SERIAL NO.

Blue Dick #200	Book 214	Page 32	NMC 245854
Blue Dick #206	Book 298	Page 84	NMC 436110
Blue Dick #207	Book 298	Page 86	NMC 436112
Blue Dick #208	Book 298	Page 87	NMC 436113
Blue Mountain			NMC 61338
Blue Mountain			NMC 61339
Blue Mountain			NMC 61340
Blue Mountain			NMC 61341
Blue Mountain			NMC 61342
Blue Mountain			NMC 61343
Buba's Baby	Book 195	Page 44	NMC 198116
Bull Snake			NMC 61351
Bull Snake			NMC 68210
Bull Snake			NMC 71701
Bull Snake			NMC 71702
Bull Snake			NMC 71703
Bull Snake			NMC 71704
Bull Snake			NMC 71705
Bull Snake			NMC 71706
Bull Snake			NMC 71707
Bull Snake			NMC 71708
Bull Snake			NMC 71709
Bull Snake			NMC 71710
Bull Snake			NMC 71711
Bull Snake			NMC 71712
Bull Snake			NMC 71713
Bull Snake			NMC 71714
Bull Snake			NMC 71716
Bull Snake			NMC 71717
Bull Snake			NMC 71718
Bull Snake			NMC 71719
Bull Snake			NMC 71720
Bull Snake			NMC 71721
Bull Snake			NMC 71722
Bull Snake			NMC 71723
Bull Snake			NMC 71724

Blue Dick #11	Book 378	Page 062	NMC 655767
Blue Dick #12			NMC 401544
Blue Dick #13			NMC 401545
Blue Dick #14			NMC 401546
Blue Dick #15			NMC 401547
Blue Dick #16			NMC 401548
Blue Dick #17			NMC 401549
Blue Dick #18			NMC 401550
Blue Dick #19			NMC 401551
Blue Dick #20			NMC 401552
Blue Dick #21			NMC 401553
Blue Dick #22			NMC 401554
Blue Dick #23			NMC 401555
Blue Dick #24			NMC 401556
Blue Dick #25			NMC 401557

Page 6 of Part I

SCHEDULE I TO SPECIAL WARRANTY DEED
CONVEYING INTEREST IN OVERRIDING ROYALTY

CLAIM NAME RECORDING INFORMATION SERIAL NO.

CLAIM NAME	RECORDING INFORMATION	SERIAL NO.
C # 8	Book 337	NMC 401551
C # 9	Book 337	NMC 406367
C # 10	Book 337	NMC 406368
C # 11	Book 337	NMC 406369
C # 12	Book 337	NMC 406370
C # 13	Book 337	NMC 406371
C # 14	Book 337	NMC 406372
C # 15	Book 337	NMC 406373
C # 16	Book 337	NMC 406374
Central 1	Book 337	NMC 572583
Central 2	Book 337	NMC 572584
Central 3	Book 337	NMC 572585
Central 4	Book 337	NMC 572586
Central 5	Book 337	NMC 572587
Central 6	Book 337	NMC 572588
Central 7	Book 337	NMC 572589
Central 8	Book 337	NMC 572590
Central 9	Book 337	NMC 572591
Central 10	Book 337	NMC 572592
Central 11	Book 337	NMC 572593
Central 12	Book 337	NMC 572594
Central 13	Book 337	NMC 572595
Central 14	Book 337	NMC 572596
Central 15	Book 337	NMC 572597
Central 16	Book 337	NMC 572598
Central 17	Book 337	NMC 572599
Central 18	Book 337	NMC 572600
Central 19	Book 337	NMC 572601
Central 20	Book 337	NMC 572602
Central 21	Book 337	NMC 572603
Central 22	Book 337	NMC 572604
Central 23	Book 337	NMC 572605
Central 24	Book 337	NMC 572606
Central 25	Book 337	NMC 572607
Central 26	Book 337	NMC 572608
Central 27	Book 337	NMC 572609
Central 28	Book 337	NMC 572610
Central 29	Book 337	NMC 572611
Central 30	Book 337	NMC 572612
CGM 1	Book 337	NMC 293375
CGM 2	Book 337	NMC 293376
CGM 3	Book 337	NMC 293377
CGM 4	Book 337	NMC 293378
CGM 5	Book 337	NMC 293379
CGM 6	Book 337	NMC 293380

SCHEDULE I TO SPECIAL WARRANTY DEED
CONVEYING INTEREST IN OVERRIDING ROYALTY

CLAIM NAME	RECORDING INFORMATION	SERIAL NO.
------------	-----------------------	------------

CGM		NMC 293381
CGM		NMC 293382
CGM		NMC 293383
CGM		NMC 322737
CGM		NMC 322738
CGM		NMC 322739
CGM		NMC 322740
CGM		NMC 322741
CGM		NMC 322742
CGM		NMC 322743
CGM		NMC 322744
CGM		NMC 322745
CGM		NMC 322746
CGM		NMC 345509
CGM		NMC 345510
CGM		NMC 69745
CGM		NMC 68214
CGM		NMC 68215
CGM		NMC 68216
CGM		NMC 68217
CGM		NMC 68218
CGM		NMC 68219
CGM		NMC 68220
CGM		NMC 68221
CGM		NMC 68222
CGM		NMC 68223
CGM		NMC 68224
CGM		NMC 68225
CGM		NMC 68226
CGM		NMC 68227
CGM		NMC 68228
CGM		NMC 68229
CGM		NMC 68230
CGM		NMC 68231
CGM		NMC 68232
CGM		NMC 68233
CGM		NMC 68234
CGM		NMC 68235
CGM		NMC 68236
CGM		NMC 68237
CGM		NMC 68238
CGM		NMC 68239
CGM		NMC 68240
CGM		NMC 68241
CGM		NMC 68242
CGM		NMC 68243
CGM		NMC 1
CGM		NMC 2
CGM		NMC 3
CGM		NMC 4
CGM		NMC 5
CGM		NMC 6
CGM		NMC 8
CGM		NMC 9
CGM		NMC 10
CGM		NMC 11
CGM		NMC 12
CGM		NMC 13
CGM		NMC 14
CGM		NMC 15
CGM		NMC 16
CGM		NMC 17
CGM		NMC 18
CGM		NMC 19
CGM		NMC 20
CGM		NMC 21
CGM		NMC 22
CGM		NMC 23
CGM		NMC 24
CGM		NMC 24A
CGM		NMC 25
CGM		NMC 26
CGM		NMC 27
CGM		NMC 28
CGM		NMC 29

Claridon Lode

SCHEDULE I TO SPECIAL WARRANTY DEED
CONVEYING INTEREST IN OVERRIDING ROYALTY

CLAIM NAME RECORDING INFORMATION SERIAL NO.

CLAIM NAME	RECORDING INFORMATION	SERIAL NO.
CM 30	NMC	68244
CM 31	NMC	68245
CM 32	NMC	68246
CM 33	NMC	68247
CM 34	NMC	68248
CM 35	NMC	68249
CM 36	NMC	68250
CM 37	NMC	68251
CM 38	NMC	68252
CM 39	NMC	68253
CM 40	NMC	68254
CM 41	NMC	68255
CM 42	NMC	68256
CM 43	NMC	68257
CM 44	NMC	68258
CM 45	NMC	68259
CM 46	NMC	68260
CM 48	NMC	68261
CM 54	NMC	68262
CM 55	NMC	68263
CM 56	NMC	68264
CM 101	NMC	61425
CM 103	NMC	61426
CM 104	NMC	61427
CM 105	NMC	61428
CM 106	NMC	61429
CM 107	NMC	61430
CM 108	NMC	61431
CM 109	NMC	61432
CM 110	NMC	68265
CM 111	NMC	68266
CM 112	NMC	68267
CM 113	NMC	68268
CM 114	NMC	68269
CM 115	NMC	76635
CM 116	NMC	76636
Columbian	NMC	68316
coyote	NMC	61347
CRANKCASE	NMC	65573
D # 1	NMC	406375
D # 2	NMC	406376
D # 3	NMC	406377
D # 4	NMC	406378
D # 5	NMC	406379
D # 6	NMC	406380
D # 7	NMC	406381

Book 378 Page 068

Page 9 of Part I

BOOK 249 PAGE 033

SCHEDULE I TO SPECIAL WARRANTY DEED
CONVEYING INTEREST IN OVERRIDING ROYALTY

CLAIM NAME RECORDING INFORMATION SERIAL NO.

BLM

SERIAL NO.

D # 8	Deer
D # 9	Daniel Lode
D # 10	Daniel Lode
D # 11	Daniel Lode
D # 12	Daniel Lode
D # 13	Daniel Lode
D # 14	Daniel Lode
D # 15	Daniel Lode
D # 16	Daniel Lode
D # 17	Daniel Lode
D # 19	Daniel Lode
D # 19	Daniel Lode
D # 20	Daniel Lode
D # 21	Daniel Lode
D # 22	Daniel Lode
D # 23	Daniel Lode
D # 24	Daniel Lode
D # 25	Daniel Lode
D # 26	Daniel Lode
E # 1	Edison Lode
E # 2	Edison Lode
E # 3	Edison Lode
E # 4	Edison Lode
E # 5	Edison Lode
E # 6	Edison Lode
E # 7	Edison Lode
E # 8	Edison Lode
E # 9	Edison Lode
E # 10	Edison Lode
E # 11	Edison Lode
E # 12	Edison Lode
E # 13	Edison Lode
E # 14	Edison Lode
E # 15	Edison Lode
E # 16	Edison Lode
E # 17	Edison Lode
E # 18	Edison Lode
E # 19	Edison Lode
E # 20	Edison Lode
E # 21	Edison Lode
E # 22	Edison Lode
E # 23	Edison Lode
E # 24	Edison Lode
E # 25	Edison Lode
E # 26	Edison Lode
F # 1	Edison Lode
F # 2	Edison Lode

Book 387 Page 451

Page 10 of Part I

BOOK 249 PAGE 034

- NMC 406382
- NMC 406383
- NMC 406384
- NMC 406385
- NMC 406386
- NMC 406387
- NMC 406388
- NMC 406389
- NMC 406390
- NMC 406391
- NMC 406392
- NMC 406393
- NMC 406394
- NMC 406395
- NMC 406396
- NMC 406397
- NMC 406398
- NMC 406399
- NMC 406400
- NMC 69744
- NMC 61350
- NMC 406401
- NMC 406402
- NMC 406403
- NMC 406404
- NMC 406405
- NMC 406406
- NMC 406407
- NMC 406408
- NMC 406409
- NMC 406410
- NMC 406411
- NMC 406412
- NMC 406413
- NMC 406414
- NMC 406415
- NMC 406416
- NMC 406417
- NMC 406418
- NMC 406419
- NMC 69750
- NMC 69752
- NMC 71683
- NMC 69746
- NMC 406420
- NMC 406421

SCHEDULE I TO SPECIAL WARRANTY DEED
CONVEYING INTEREST IN OVERRIDING ROYALTY

CLAIM NAME RECORDING INFORMATION SERIAL NO. BLM SERIAL NO.

CLAIM NAME	RECORDING INFORMATION	SERIAL NO. BLM	SERIAL NO.
F # 3		NMC 406422	
F # 4		NMC 406423	
F # 5		NMC 406424	
F # 6		NMC 406425	
F # 7		NMC 406426	
F # 8		NMC 406427	
FA 1		NMC 61415	
FA 2		NMC 61416	
FA 3		NMC 61417	
FA 1		NMC 61418	
FE 1		NMC 61399	
FE 2		NMC 61400	
FE 3		NMC 61401	
February 1		NMC 61402	
February 2		NMC 68304	
February 3		NMC 61403	
FI 1		NMC 61404	
FI 2		NMC 61405	
FI 3		NMC 61406	
First Extension	Book 387 Page 452	NMC 71655	
FM No. 1		NMC 245697	
FM No. 2		NMC 245698	
FM No. 3		NMC 245699	
FM No. 4		NMC 245700	
FM No. 5		NMC 245701	
FM No. 6		NMC 245702	
FM No. 7		NMC 245703	
FM No. 8		NMC 245704	
FM No. 9		NMC 245705	
FM No. 10		NMC 245706	
FM No. 11		NMC 245707	
FM No. 12		NMC 245708	
FM No. 13		NMC 245709	
FM No. 14		NMC 245710	
FM No. 15		NMC 245711	
FM No. 16		NMC 245712	
FM No. 17		NMC 245713	
FM No. 18		NMC 245714	
FM No. 19		NMC 245715	
FM No. 20		NMC 245716	
FM No. 21		NMC 245717	
FM No. 22		NMC 245718	
FM No. 23		NMC 245719	
FM No. 24		NMC 245720	
FM No. 25		NMC 245721	

SCHEDULE I TO SPECIAL WARRANTY DEED
CONVEYING INTEREST IN OVERRIDING ROYALTY

CLAIM NAME RECORDING INFORMATION SERIAL NO.

CLAIM NAME	RECORDING INFORMATION	SERIAL NO.
FM NO. 26	NMC	245722
FM NO. 27	NMC	245723
FM NO. 28	NMC	245724
FM NO. 29	NMC	245725
FM NO. 30	NMC	245726
FM NO. 31	NMC	245727
FM NO. 32	NMC	245728
FM NO. 33	NMC	245729
FM NO. 34	NMC	245730
FM NO. 35	NMC	245731
FM NO. 36	NMC	245732
FM NO. 37	NMC	245733
FM NO. 38	NMC	245734
FM NO. 39	NMC	245735
FM NO. 40	NMC	245736
FM NO. 41	NMC	245737
FM NO. 42	NMC	245738
FM NO. 43	NMC	245739
FM NO. 44	NMC	245740
FM NO. 45	NMC	245741
FM NO. 46	NMC	245742
FM NO. 47	NMC	245743
FM NO. 48	NMC	245744
FM NO. 49	NMC	245745
FM NO. 50	NMC	245746
FM NO. 51	NMC	245747
FM NO. 52	NMC	245748
FM NO. 53	NMC	245749
FM NO. 54	NMC	245750
FM NO. 55	NMC	245751
FM NO. 56	NMC	245752
FM NO. 57	NMC	245753
FM NO. 58	NMC	245754
FM NO. 59	NMC	245755
FM NO. 60	NMC	245756
FM NO. 61	NMC	245757
FM NO. 62	NMC	245758
FM NO. 63	NMC	245759
FM NO. 64	NMC	245760
FM NO. 65	NMC	245761
FM NO. 66	NMC	245762
FM NO. 67	NMC	245763
FM NO. 68	NMC	245764
FM NO. 69	NMC	245765
FM NO. 70	NMC	245766
FM NO. 71	NMC	245767

SCHEDULE I TO SPECIAL WARRANTY DEED
CONVEYING INTEREST IN OVERRIDING ROYALTY

CLAIM NAME RECORDING INFORMATION SERIAL NO.

BLM

CLAIM NAME	RECORDING INFORMATION	SERIAL NO.
FM NO. 72	NMC 245768	
FM NO. 73	NMC 245769	
FM NO. 74	NMC 245770	
FM NO. 75	NMC 245771	
FM NO. 76	NMC 245772	
FM NO. 77	NMC 245773	
FM NO. 89	NMC 245774	
FM NO. 90	NMC 245775	
FM NO. 91	NMC 245776	
FM NO. 92	NMC 245777	
FM NO. 93	NMC 245778	
FM NO. 94	NMC 245779	
FO	NMC 61407	
FO 1	NMC 61408	
FO 2	NMC 61409	
FO 3	NMC 61410	
Fraser Gold	NMC 71678	
Free Coinage	NMC 68315	
FUM 1	NMC 61412	
FUM	NMC 61411	
FUM 2	NMC 61413	
FUM 3	NMC 61414	
G # 1	NMC 406428	
G # 1	NMC 635009	Book 365 Page 355
G # 2	NMC 406429	
G # 2	NMC 635010	Book 365 Page 356
G # 3	NMC 406430	
G # 3	NMC 635011	Book 365 Page 357
G # 4	NMC 406431	
G # 4	NMC 635012	Book 365 Page 358
G # 5	NMC 406432	
G # 5	NMC 635013	Book 365 Page 359
G # 6	NMC 406433	
G # 7	NMC 406434	
G # 8	NMC 406435	
G # 9	NMC 406436	
G # 10	NMC 406437	
G # 11	NMC 406438	
G # 12	NMC 406439	
G # 13	NMC 406440	
G # 14	NMC 406441	
G # 15	NMC 406442	
G # 16	NMC 406443	
G # 17	NMC 406444	
G # 18	NMC 406445	
G # 19	NMC 406446	

SCHEDULE I TO SPECIAL WARRANTY DEED
CONVEYING INTEREST IN OVERRIDING ROYALTY

CLAIM NAME RECORDING INFORMATION SERIAL NO.

CLAIM NAME	RECORDING INFORMATION	SERIAL NO.
G # 20		NMC 406447
G # 21		NMC 406448
G # 22		NMC 406449
G # 23		NMC 406450
G # 24		NMC 406451
G-1A		NMC 655769
GAC # 1	Book 378 Page 064	NMC 401552
GAC # 2		NMC 401553
GAC # 3		NMC 401554
GAC # 4		NMC 401555
GAC # 5		NMC 401556
GAC # 6		NMC 401557
GAC # 7		NMC 414558
GAC # 8		NMC 414559
GAC # 9		NMC 414560
GAC # 10		NMC 414561
GAC # 11		NMC 414562
GAC # 12		NMC 414563
GAC # 13		NMC 414564
GAC # 14		NMC 414565
GAC # 15		NMC 414566
GAC # 16		NMC 414567
GAC # 17		NMC 414568
GAC # 18		NMC 414569
GAC # 19		NMC 414570
GAC # 20		NMC 414571
GAC 23 (Relocated)	Book 390 Page 95	NMC 639649
GAC # 24	Book 390 Page 96	NMC 635005
GAC 25 (Relocated)	Book 387 Page 532	NMC 639650
GAC # 25A	Book 387 Page 555	NMC 667091
GAC # 26	Book 387 Page 533	NMC 635006
GAC # 27	Book 387 Page 534	NMC 432086
GAC # 28	Book 387 Page 535	NMC 432087
GAC # 29	Book 387 Page 536	NMC 432088
GAC # 30	Book 387 Page 537	NMC 432089
GAC 31A	Book 387 Page 537	NMC 649848
GAC 32A	Book 387 Page 538	NMC 649849
GAC # 33	Book 387 Page 539	NMC 432092
GAC 34A	Book 387 Page 540	NMC 649850
GAC # 35	Book 390 Page 98	NMC 432094
GAC 35A	Book 387 Page 556	NMC 667092
GAC # 36	Book 387 Page 542	NMC 432095
GAC # 37	Book 387 Page 543	NMC 432096
GAC 37A	Book 387 Page 552	NMC 667093
GAC # 38	Book 387 Page 544	NMC 432097
GAC # 39	Book 387 Page 545	NMC 432098

Page 14 of Part I

BOOK 249 PAGE 038

BK 396 PG 314

SCHEDULE I TO SPECIAL WARRANTY DEED
CONVEYING INTEREST IN OVERRIDING ROYALTY

CLAIM NAME RECORDING INFORMATION SERIAL NO.

CLAIM NAME	RECORDING INFORMATION	SERIAL NO.
GAC # 40	Book 387 Page 546	NMC 432099
GAC 41A	Book 387 Page 547	NMC 649851
GAC # 42	Book 387 Page 548	NMC 432101
GAC 42A	Book 387 Page 553	NMC 667094
GAC 42B	Book 387 Page 554	NMC 667095
GAC # 43	Book 387 Page 549	NMC 432102
GAC # 44	Book 387 Page 550	NMC 432103
GAC 45A	Book 387 Page 551	NMC 649852
Gallon		
Game # 1		NMC 69751
Game # 2		NMC 66382
Game # 3		NMC 66383
Game # 4		NMC 66384
Game # 5		NMC 66385
Game # 6		NMC 66386
Game # 7		NMC 66387
Game # 8		NMC 66388
Game # 9		NMC 66389
Game # 10		NMC 66390
Game # 11		NMC 66391
Game # 12		NMC 66392
Game # 13		NMC 66393
Game # 14		NMC 66394
Gamma		
George		
GF 6		NMC 68305
GF 7	Book 365 Page 347	NMC 634997
GF 8		NMC 634998
GF 9	Book 365 Page 349	NMC 634999
GF 10	Book 365 Page 350	NMC 635000
GF 11	Book 365 Page 351	NMC 635001
GF 12	Book 365 Page 352	NMC 635002
GF 13	Book 365 Page 353	NMC 635003
GF 16	BOOK 367 PAGE 629	NMC 639647
GF 17	BOOK 367 PAGE 630	NMC 639648
Gold 4A	Book 390 Page 18	NMC 671304
Gold 5A	Book 390 Page 19	NMC 671305
Gold 7A	Book 390 Page 20	NMC 671306
Gold 8A	Book 390 Page 21	NMC 671307
Gold 11		NMC 66375
Gold 12		NMC 66376
Gold 13		NMC 66377
Gold 14		NMC 66378
Gold 15		NMC 66379
Gold 16		NMC 66380
Gold 17		NMC 66381

Page 15 of Part I

BOOK 249 PAGE 039

SCHEDULE I TO SPECIAL WARRANTY DEED
CONVEYING INTEREST IN OVERRIDING ROYALTY

CLAIM NAME RECORDING INFORMATION SERIAL NO. BLM

Gold # 18	NMC	76836
Gold # 19	NMC	76837
Gold # 20	NMC	76838
Gold # 21	NMC	76839
Gold # 22	NMC	76840
Gold # 23	NMC	76841
Gold # 24	NMC	76842
Gold # 25	NMC	76843
Gold # 26	NMC	76844
Gold # 27	NMC	76845
Gold # 28	NMC	76846
Gold # 29	NMC	76847
Gold # 30	NMC	76848
Gold # 31	NMC	76849
Gold # 32	NMC	76850
Gold # 33	NMC	76851
Gold # 34	NMC	76852
Gold # 35	NMC	76853
Gold # 36	NMC	76854
Gold # 37	NMC	76855
Gold # 38	NMC	76856
Gold # 39	NMC	76857
Gold # 40	NMC	76858
Gold # 41	NMC	76859
Gold # 42	NMC	76860
Gold # 43	NMC	76861
Gold # 44	NMC	76862
Gold # 45	NMC	76863
Gold # 46	NMC	76864
Gold # 47	NMC	76865
Gold # 48	NMC	76866
Gold # 49	NMC	76867
Gold # 50	NMC	76868
Gold # 51	NMC	76869
Gold # 52	NMC	76870
Gold # 53	NMC	76871
Gold # 54	NMC	76872
Gold # 55	NMC	76873
Gold # 56	NMC	76874
Gold # 57	NMC	76875
Gold # 58	NMC	76876
Gold # 59	NMC	76877
Gold # 60	NMC	76878
Gold # 61	NMC	76879
Gold # 62	NMC	76880
Gold # 63	NMC	76881

SCHEDULE I TO SPECIAL WARRANTY DEED
CONVEYING INTEREST IN OVERRIDING ROYALTY

BLM SERIAL NO.	RECORDING INFORMATION	CLAIM NAME
----------------	-----------------------	------------

NMC 76882		Gold # 64
NMC 76883		Gold # 65
NMC 76884		Gold # 66
NMC 76885		Gold # 67
NMC 76886		Gold # 68
NMC 76887		Gold # 69
NMC 76888		Gold # 70
NMC 76889		Gold # 71
NMC 76890		Gold # 72
NMC 76891		Gold # 73
NMC 76892		Gold # 74
NMC 76893		Gold # 75
NMC 76894		Gold # 76
NMC 76895		Gold # 77
NMC 76896		Gold # 78
NMC 71662		Gold Ace
NMC 71659		Gold Beetle
NMC 71663		Gold Bishop
NMC 68306		Gold Bug
NMC 71660		Gold Bug
NMC 655771	Book 378 Page 066	GOLD BUG FRACTION
NMC 71664		Gold Crown
NMC 71675		Gold Dawn
NMC 71665		Gold Jug
NMC 398122		Gold Key
NMC 71666		Gold King
NMC 71667		Gold Moon
NMC 69740		Gold No. 1 Lode
NMC 71668		Gold Point
NMC 71669		Gold Prince
NMC 71670		Gold Queen
NMC 671293	Book 390 Page 7	Gold R
NMC 671294	Book 390 Page 8	Gold R1
NMC 671303	Book 390 Page 17	Gold R10
NMC 671295	Book 390 Page 9	Gold R2
NMC 671296	Book 390 Page 10	Gold R3
NMC 671297	Book 390 Page 11	Gold R4
NMC 671298	Book 390 Page 12	Gold R5
NMC 671299	Book 390 Page 13	Gold R6
NMC 671300	Book 390 Page 14	Gold R7
NMC 671301	Book 390 Page 15	Gold R8
NMC 671302	Book 390 Page 16	Gold R9
NMC 71671		Gold Ridge
NMC 71672		Gold Standard
NMC 71673		Gold Star
NMC 71661		Gold Vault

Page 17 of Part I

BOOK 249 PAGE 41

SCHEDULE I TO SPECIAL WARRANTY DEED
CONVEYING INTEREST IN OVERRIDING ROYALTY

BK 396 Pg 317

CLAIM NAME RECORDING INFORMATION SERIAL NO. BLM

Golden Boy	NMC	71674
Golden Era	NMC	71676
Golden Girl	NMC	71677
Golden Reef	NMC	71682
Goldex	NMC	71656
GREAT BIG CHIEF	NMC	56040
Green Stain	NMC	70549

H # 1	NMC	406452
H # 2	NMC	407729
H # 3	NMC	406453
H # 4	NMC	406454
H # 5	NMC	406455
H # 6	NMC	406456
H # 7	NMC	406457
H # 8	NMC	406458
H # 9	NMC	406459
H # 10	NMC	406460
H # 11	NMC	406461
H # 12	NMC	406462
H # 13	NMC	406463
H # 14	NMC	406464
H # 15	NMC	406465
H # 16	NMC	406466
H # 17	NMC	406467
H # 18	NMC	406468
H # 19	NMC	406469
H # 20	NMC	406470
H # 21	NMC	406471
H # 22	NMC	406472
H # 23	NMC	406473
H # 24	NMC	406474
H # 25	NMC	406475
H # 26	NMC	406476
H # 27	NMC	406477
H # 28	NMC	406478
HCC 1	Book	368 Page 599
HCC 2	Book	368 Page 600
HCC 3	Book	368 Page 601
HCC 4	Book	368 Page 602
HCC 5	Book	368 Page 603
HCC 6	Book	368 Page 604
HCC 7	Book	368 Page 605
HCC 8	Book	368 Page 606
HCC 9	Book	368 Page 607
HCC 10	Book	368 Page 608
HCC 19	Book	368 Page 609

Page 18 of Part I

BOOK 249 PAGE 042

SCHEDULE I TO SPECIAL WARRANTY DEED
CONVEYING INTEREST IN OVERRIDING ROYALTY

CLAIM NAME	RECORDING INFORMATION	SERIAL NO.
------------	-----------------------	------------

HCC 20	Book 368 Page 610	NMC 643531
HCC 21	Book 368 Page 611	NMC 643532
HCC 22	Book 368 Page 612	NMC 643533
HCC 23	Book 368 Page 613	NMC 643534
HCC 24	Book 368 Page 614	NMC 643535
HCC 25	Book 368 Page 615	NMC 643536
HCR 1		NMC 443903
HCR 2		NMC 443904
HCR 3		NMC 443905
HCR 4		NMC 443906
HCR 5		NMC 443907
HCR 6		NMC 443908
HCR 7		NMC 443909
HCR 8		NMC 443910
HCR 9		NMC 443911
HCR 10		NMC 443912
HCR 11		NMC 443913
HCR 12		NMC 443914
HCR 13		NMC 443915
HCR 14		NMC 443916
HCR 15		NMC 443917
HCR 16		NMC 443918
HCR 17		NMC 443919
HCR 18		NMC 443920
HCR 19		NMC 443921
HCR 20		NMC 443922
HCR 21		NMC 443923
HCR 22		NMC 443924
HCR 23		NMC 443925
HCR 24		NMC 443926
HCR 25		NMC 443927
HCR 26		NMC 443928
HCR 27		NMC 443929
HCR 28		NMC 443930
HCR 29		NMC 443931
HCR 30		NMC 443932
HCR 31		NMC 443933
HCR 32		NMC 443934
HCR 33		NMC 443935
HCR 34		NMC 443936
HCR 35		NMC 443937
HCR 36		NMC 443938
HCR 37		NMC 443939
HCR 38		NMC 443940
Heebner		NMC 71700
Homeslead		NMC 71654

SCHEDULE I TO SPECIAL WARRANTY DEED
CONVEYING INTEREST IN OVERRIDING ROYALTY

CLAIM NAME RECORDING INFORMATION SERIAL NO. BLM

CLAIM NAME	RECORDING INFORMATION	SERIAL NO. BLM
Hope	Book 378 Page 067	NMC 19757
Hope	Book 382 Page 527	NMC 663664
Hope	Book 382 Page 528	NMC 663665
Hope	Book 382 Page 529	NMC 663666
Hope	Book 382 Page 530	NMC 663667
Hope	Book 382 Page 531	NMC 663668
Hope	Book 382 Page 532	NMC 663669
Hope	Book 382 Page 533	NMC 663670
Hope	Book 382 Page 534	NMC 663671
Hope	Book 382 Page 535	NMC 663672
Hope	Book 382 Page 536	NMC 663673
Hope	Book 382 Page 537	NMC 663674
Hope	Book 382 Page 538	NMC 663675
Hope	Book 382 Page 539	NMC 663676
Hope	Book 382 Page 540	NMC 663677
Hope	Book 382 Page 541	NMC 663678
Hope	Book 382 Page 542	NMC 663679
Hope	Book 382 Page 543	NMC 663680
Hope	Book 382 Page 544	NMC 663681
Hope	Book 382 Page 545	NMC 663682
Hope	Book 382 Page 546	NMC 663683
Hope	Book 382 Page 547	NMC 663684
Hope	Book 382 Page 548	NMC 663685
Hope	Book 382 Page 549	NMC 663686
Hope	Book 382 Page 550	NMC 663687
Hope	Book 382 Page 551	NMC 663688
Hope	Book 382 Page 552	NMC 663689
Hope	Book 382 Page 553	NMC 663690
Hope	Book 382 Page 554	NMC 663691
Hope	Book 382 Page 555	NMC 663692
Hope	Book 382 Page 556	NMC 663693
Hope	Book 382 Page 557	NMC 663694
Hope	Book 382 Page 558	NMC 663695
Hope	Book 382 Page 559	NMC 663696
Hope	Book 382 Page 560	NMC 663697
Hope	Book 382 Page 561	NMC 663698
Hope	Book 382 Page 562	NMC 663699
Hope	Book 382 Page 563	NMC 663700
Hope	Book 382 Page 564	NMC 663701
Hope	Book 382 Page 565	NMC 663702
Hope	Book 382 Page 566	NMC 663703
Hope		NMC 61419

SCHEDULE I TO SPECIAL WARRANTY DEED
CONVEYING INTEREST IN OVERRIDING ROYALTY

CLAIM NAME	RECORDING INFORMATION	SERIAL NO.
------------	-----------------------	------------

IF		61420
ION		73091
ION		73092
ION		65733
ION		65734
ION		73093
ION		73094
ION		73095
ION		73096
ION		73097
ION		73098
ION		73099
ION		73100
Iron Blossom		69736
Iron Blossom # 1		69737
Iron Blossom # 2		69738
Ivanhoe		68307
J J		655774
Jacquelyn		71684
Joe		415150
Joe		415151
Joe		415152
Joe		415153
Joe		415154
Joe		415155
Joe		415156
Joe		415157
Joe		415158
Joe		415159
Joe		415160
Joe		415161
Joe		415162
Joe		415163
Joe		415164
Joe		415165
Joe		415166
Joe		415167
Joe		415168
Joe		415169
Joe		415170
Joe		415171
Joe		415172
Joe		415173
Joe		415174
Joe		415175
Joe		415176

Book 378 Page 069

SCHEDULE I TO SPECIAL WARRANTY DEED
CONVEYING INTEREST IN OVERRIDING ROYALTY

CLAIM NAME RECORDING INFORMATION SERIAL NO.

Joe 28 NMC 415177

Joe 29 NMC 415178

Joe 30 NMC 415179

Joe 31 NMC 415180

Joe 32 NMC 415181

Joe 33 NMC 415182

Joe 34 NMC 432105

Joe 35 NMC 432106

Joe 36 NMC 432107

Joe 37 NMC 432108

Joe 38 NMC 432109

Joe 39 NMC 432110

Joe 40 NMC 432111

Joe 41 NMC 432112

Joe 42 NMC 432113

Joe 43 NMC 432114

Joe 44 NMC 432115

Joe 45 NMC 432116

Joe 46 NMC 432117

Joe 47 NMC 432118

Joe 48 NMC 432119

Joe 49 NMC 432120

Joe 50 NMC 432121

Joe 51 NMC 432122

Joe 52 NMC 432123

Joe 53 NMC 432124

Joe 54 NMC 432125

Joe 55 NMC 432126

Joe 56 NMC 432127

Joe 57 NMC 587127

Kajax 201 Book 303 Page 205

Kajax 202 Book 303 Page 206

Kajax 203 Book 303 Page 207

Kajax 204 Book 303 Page 208

Kajax 205 Book 303 Page 209

Kajax 206 Book 303 Page 210

Kajax No. 1 Book 109 Page 437

Kajax No. 2 Book 109 Page 438

Kajax No. 3 Book 109 Page 439

Kajax No. 4 Book 109 Page 440

Kajax No. 5 Book 109 Page 441

Kajax No. 6 Book 109 Page 442

Kajax No. 7 Book 109 Page 443

Kajax No. 8 Book 109 Page 444

Kajax No. 9 Book 109 Page 445

Kajax No. 10 Book 109 Page 553

NMC 415177

NMC 415178

NMC 415179

NMC 415180

NMC 415181

NMC 415182

NMC 432105

NMC 432106

NMC 432107

NMC 432108

NMC 432109

NMC 432110

NMC 432111

NMC 432112

NMC 432113

SCHEDULE I TO SPECIAL WARRANTY DEED
CONVEYING INTEREST IN OVERRIDING ROYALTY

CLAIM NAME RECORDING INFORMATION SERIAL NO.

Kajax No. 11 Book 109 Page 552 NMC 66846

Legal Tender Little Squirt Liz # 1 Book 219 Page 38 NMC 253916

Liz # 2 Book 219 Page 40 NMC 253917

Liz # 3 Book 219 Page 42 NMC 253918

Liz # 4 Book 219 Page 44 NMC 253919

Liz # 5 Book 219 Page 46 NMC 253920

Liz # 6 Book 219 Page 48 NMC 253921

Liz # 7 Book 219 Page 50 NMC 253922

Liz # 8 Book 219 Page 52 NMC 253923

Liz # 9 Book 219 Page 54 NMC 253924

Liz # 10 Book 219 Page 56 NMC 253925

Liz # 11 Book 219 Page 58 NMC 253926

Liz # 12 Book 219 Page 60 NMC 253927

Liz 200 Book 292 Page 363 NMC 417428

Liz 201 Book 292 Page 363A NMC 417429

Liz 202 Book 292 Page 364 NMC 417430

Liz 203 Book 292 Page 365 NMC 417431

Liz 204 Book 342 Page 617 NMC 588282

Liz 205 Book 292 Page 366 NMC 417433

Liz 206 Book 294 Page 439 NMC 423216

Liz 207 Book 294 Page 440 NMC 423217

Liz 208 Book 294 Page 441 NMC 423218

London Liz 200 NMC 68311

London Butte # 1 Lone Pine # 1 NMC 71699

Long Shot Long Shot NMC 70548

Long Shot A Long Shot NMC 70547

Marigold Marigold No. 1 NMC 66397

Mars Martel Lode NMC 71653

Maxine Martel Lode NMC 69749

Meadows Maxine NMC 71685

Mike Meadows NMC 71686

Morgan Lode Morgan Lode NMC 71693

Mortgage Morgan Lode NMC 69747

Most Gold Mortgage NMC 71687

Moynahan gold Most Gold NMC 71679

MUF 1 MUF 1 NMC 61422

MUF 2 MUF 2 NMC 61423

Mule MUF 1 NMC 426075

SCHEDULE I TO SPECIAL WARRANTY DEED
CONVEYING INTEREST IN OVERRIDING ROYALTY

CLAIM NAME RECORDING INFORMATION SERIAL NO.

CLAIM NAME	RECORDING INFORMATION	SERIAL NO.
Mule	NMC	426076
Mule	NMC	426077
Mule	NMC	426078
Mule	NMC	426079
Mule	NMC	426080
Mule	NMC	426081
Mule	NMC	426082
Mule	NMC	426083
Mule	NMC	426084
Mule	NMC	426085
Mule	NMC	426086
Mule	NMC	426087
Mule	NMC	426088
Mule	NMC	426089
Mule	NMC	426090
Mule	NMC	426091
Mule	NMC	426092
Mule	NMC	426093
Mule	NMC	426094
Mule	NMC	426095
Mule	NMC	426096
Mule	NMC	426097
Mule	NMC	426098
Mule	NMC	426099
Mule	NMC	426100
Mule	NMC	426101
Mule	NMC	426102
Mule	NMC	426103
Mule	NMC	426104
Mule	NMC	426105
Mule	NMC	426106
Mule	NMC	426107
Mule	NMC	426108
Mule	NMC	426109
Mule	NMC	426110
Mule	NMC	426111
Mule	NMC	426112
Mule	NMC	426113
Mule	NMC	426114
Mule	NMC	426115
Mule	NMC	70550
Mystic	NMC	386253
Nee	NMC	386254
Nee	NMC	386255
Nee	NMC	386256
Nee	NMC	386257

SCHEDULE I TO SPECIAL WARRANTY DEED
CONVEYING INTEREST IN OVERRIDING ROYALTY

CLAIM NAME	RECORDING INFORMATION	BLM SERIAL NO.
------------	-----------------------	----------------

Nee	NMC	386258
Nee	NMC	386259
Nee	NMC	386260
Nee	NMC	386261
Nee	NMC	5744
Nee	NMC	5745
Nee	NMC	5746
Nee	NMC	5747
Nee	NMC	5748
Nee	NMC	5749
Nee	NMC	5750
Nee	NMC	5751
Nee	NMC	5752
Nee	NMC	243054
Nee	NMC	243055
Nee	NMC	5755
Nee	NMC	5756
Nee	NMC	5757
Nee	NMC	5758
Nee	NMC	5759
Nee	NMC	5760
Nee	NMC	5761
Nee	NMC	5762
Nee	NMC	5763
Nee	NMC	5764
Nee	NMC	5765
Nee	NMC	5766
Nee	NMC	5767
Nee	NMC	5768
Nee	NMC	5769
Nee	NMC	5770
Nee	NMC	5771
Nee	NMC	5772
Nee	NMC	5773
Nee	NMC	5774
Nee	NMC	5775
Nee	NMC	5776
Nee	NMC	5777
Nee	NMC	5778
Nee	NMC	5779
Nee	NMC	5780
Nee	NMC	5781
Nee	NMC	5782
Nee	NMC	5783
Nee	NMC	5784
Nee	NMC	5785

SCHEDULE I TO SPECIAL WARRANTY DEED
CONVEYING INTEREST IN OVERRIDING ROYALTY

CLAIM NAME RECORDING INFORMATION SERIAL NO. BLM

52	Nee	NMC	65786
53	Nee	NMC	65787
54	Nee	NMC	65788
55	Nee	NMC	65789
56	Nee	NMC	65790
57	Nee	NMC	65791
58	Nee	NMC	65792
59	Nee	NMC	65793
60	Nee	NMC	65794
61	Nee	NMC	65795
62	Nee	NMC	65796
63	Nee	NMC	65797
64	Nee	NMC	65798
65	Nee	NMC	65799
66	Nee	NMC	65800
67	Nee	NMC	65801
68	Nee	NMC	65802
69	Nee	NMC	65803
70	Nee	NMC	65804
71	Nee	NMC	65805
72	Nee	NMC	65806
73	Nee	NMC	65807
74	Nee	NMC	65808
75	Nee	NMC	65809
76	Nee	NMC	65810
77	Nee	NMC	65811
78	Nee	NMC	65812
79	Nee	NMC	65813
80	Nee	NMC	65814
81	Nee	NMC	65815
82	Nee	NMC	65816
83	Nee	NMC	65817
84	Nee	NMC	65818
85	Nee	NMC	65819
86	Nee	NMC	65820
87	Nee	NMC	65821
88	Nee	NMC	65822
89	Nee	NMC	65823
90	Nee	NMC	65824
91	Nee	NMC	65825
92	Nee	NMC	65826
93	Nee	NMC	65827
94	Nee	NMC	65828
95	Nee	NMC	65829
96	Nee	NMC	65830
97	Nee	NMC	65831

SCHEDULE I TO SPECIAL WARRANTY DEED
CONVEYING INTEREST IN OVERRIDING ROYALTY

CLAIM NAME	RECORDING INFORMATION	SERIAL NO.
------------	-----------------------	------------

Nee 98	NMC	65832
Nee 99	NMC	65833
Nee 100	NMC	65834
Nee 101	NMC	65835
Nee 102	NMC	65836
Nee 103	NMC	65837
Nee 104	NMC	65838
Nee 105	NMC	65839
Nee 106	NMC	65840
Nee 107	NMC	65841
Nee 108	NMC	65842
Nee 109	NMC	65843
Nee 110	NMC	65844
Nee 111	NMC	65845
Nee 112	NMC	65846
Nee 113	NMC	65847
Nee 114	NMC	65848
Nee 115	NMC	65849
Nee 116	NMC	65850
Nee 117	NMC	65851
Nee 118	NMC	65852
Nee 119	NMC	65853
Nee 120	NMC	65854
Nee 121	NMC	65855
Nee 122	NMC	65856
Nee 123	NMC	65857
Nee 124	NMC	65858
Nee 125	NMC	65859
Nee 126	NMC	65860
Nee 127	NMC	65861
Nee 128	NMC	65862
Nee 129	NMC	65863
Nee 130	NMC	65864
Nee 131	NMC	65865
Nee 132	NMC	65866
Nee 133	NMC	65867
Nee 134	NMC	65868
Nee 135	NMC	65869
Nee 136	NMC	65870
Nee 137	NMC	65871
Nee 138	NMC	65872
Nee 139	NMC	65873
Nee 140	NMC	65874
Nee 141	NMC	65875
Nee 142	NMC	65876
Nee 143	NMC	65877

SCHEDULE I TO SPECIAL WARRANTY DEED
CONVEYING INTEREST IN OVERRIDING ROYALTY

CLAIM NAME	RECORDING INFORMATION	SERIAL NO.
------------	-----------------------	------------

Nee 144	NMC	65878
Nee 145	NMC	65879
Nee 146	NMC	65880
Nee 147	NMC	65881
Nee 148	NMC	65882
Nee 149	NMC	65883
Nee 150	NMC	65884
Nee 151	NMC	65885
Nee 152	NMC	65886
Nee 153	NMC	65887
Nee 154	NMC	65888
Nee 155	NMC	65889
Nee 156	NMC	65890
Nee 157	NMC	65891
Nee 158	NMC	65892
Nee 159	NMC	65893
Nee 160	NMC	65894
Nee 161	NMC	65895
Nee 162	NMC	65896
Nee 163	NMC	65897
Nee 164	NMC	65898
Nee 165	NMC	65899
Nee 166	NMC	65900
Nee 167	NMC	65901
Nee 168	NMC	65902
Nee 169	NMC	65903
Nee 170	NMC	65904
Nee 171	NMC	65905
Nee 172	NMC	65906
Nee 173	NMC	65907
Nee 174	NMC	65908
Nee 175	NMC	65909
Nee 176	NMC	65910
Nee 177	NMC	65911
Nee 178	NMC	65912
Nee 179	NMC	65913
Nee 180	NMC	65914
Nee 181	NMC	65915
Nee 182	NMC	65916
Nee 183	NMC	65917
Nee 184	NMC	65918
Nee 185	NMC	65919
Nee 186	NMC	65920
Nee 187	NMC	65921
Nee 188	NMC	65922
Nee 189	NMC	65923

SCHEDULE I TO SPECIAL WARRANTY DEED
CONVEYING INTEREST IN OVERRIDING ROYALTY

CLAIM NAME	RECORDING INFORMATION	SERIAL NO.
------------	-----------------------	------------

Nee 190	NMC	65924
Nee 191	NMC	65925
Nee 192	NMC	65926
Nee 193	NMC	65927
Nee 194	NMC	65928
Nee 195	NMC	65929
Nee 196	NMC	65930
Nee 197	NMC	65931
Nee 198	NMC	65932
Nee 199	NMC	65933
Nee 200	NMC	65934
Nee 201	NMC	65935
Nee 202	NMC	65936
Nee 203	NMC	65937
Nee 204	NMC	65938
Nee 205	NMC	65939
Nee 206	NMC	65940
Nee 207	NMC	65941
Nee 208	NMC	65942
Nee 209	NMC	65943
Nee 210	NMC	65944
Nee 211	NMC	65945
Nee 212	NMC	65946
Nee 213	NMC	65947
Nee 214	NMC	65948
Nee 215	NMC	65949
Nee 216	NMC	65950
Nee 217	NMC	65951
Nee 218	NMC	65952
Nee 219	NMC	65953
Nee 220	NMC	65954
Nee 221	NMC	65955
Nee 222	NMC	65956
Nee 223	NMC	243056
Nee 224	NMC	243057
Nee 225	NMC	243058
Nee 226	NMC	243059
Nee 227	NMC	65961
Nee 228	NMC	65962
Nee 229	NMC	65963
Nee 230	NMC	65964
Nee 231	NMC	65965
Nee 232	NMC	65966
Nee 233	NMC	65967
Nee 234	NMC	65968
Nee 235	NMC	65969

SCHEDULE I TO SPECIAL WARRANTY DEED
CONVEYING INTEREST IN OVERRIDING ROYALTY

CLAIM NAME	RECORDING INFORMATION	SERIAL NO.
------------	-----------------------	------------

Nee 236	NMC	65970
Nee 237	NMC	65971
Nee 238	NMC	65972
Nee 239	NMC	65973
Nee 240	NMC	65974
Nee 241	NMC	65975
Nee 242	NMC	65976
Nee 243	NMC	65977
Nee 244	NMC	65978
Nee 245	NMC	65979
Nee 246	NMC	65980
Nee 247	NMC	65981
Nee 248	NMC	65982
Nee 249	NMC	65983
Nee 250	NMC	65984
Nee 251	NMC	65985
Nee 252	NMC	65986
Nee 253	NMC	65987
Nee 254	NMC	65988
Nee 255	NMC	65989
Nee 256	NMC	65990
Nee 257	NMC	65991
Nee 258	NMC	65992
Nee 259	NMC	65993
Nee 260	NMC	65994
Nee 261	NMC	65995
Nee 262	NMC	65996
Nee 263	NMC	65997
Nee 264	NMC	65998
Nee 265	NMC	65999
Nee 266	NMC	66000
Nee 267	NMC	66001
Nee 268	NMC	66002
Nee 269	NMC	66003
Nee 270	NMC	66004
Nee 271	NMC	66005
Nee 272	NMC	66006
Nee 273	NMC	66007
Nee 274	NMC	66008
Nee 275	NMC	66009
Nee 276	NMC	66010
Nee 277	NMC	66011
Nee 278	NMC	66012
Nee 279	NMC	66013
Nee 280	NMC	66014
Nee 281	NMC	66015

SCHEDULE I TO SPECIAL WARRANTY DEED
CONVEYING INTEREST IN OVERRIDING ROYALTY

CLAIM NAME RECORDING INFORMATION SERIAL NO. BLM

282	Nee	NMC	66016
283	Nee	NMC	66017
284	Nee	NMC	66018
285	Nee	NMC	66019
286	Nee	NMC	66020
287	Nee	NMC	66021
288	Nee	NMC	66022
289	Nee	NMC	6813
290	Nee	NMC	6814
291	Nee	NMC	6815
292	Nee	NMC	6816
293	Nee	NMC	6817
294	Nee	NMC	6818
295	Nee	NMC	36709
296	Nee	NMC	36710
297	Nee	NMC	36711
298	Nee	NMC	36712
299	Nee	NMC	36713
300	Nee	NMC	36714
301	Nee	NMC	36715
302	Nee	NMC	36716
303	Nee	NMC	36717
304	Nee	NMC	36718
305	Nee	NMC	36719
306	Nee	NMC	36720
307	Nee	NMC	36721
308	Nee	NMC	36722
309	Nee	NMC	36723
310	Nee	NMC	36724
311	Nee	NMC	36725
312	Nee	NMC	36726
313	Nee	NMC	36727
314	Nee	NMC	36728
315	Nee	NMC	36729
316	Nee	NMC	36730
317	Nee	NMC	36731
318	Nee	NMC	36732
319	Nee	NMC	36733
320	Nee	NMC	36734
321	Nee	NMC	36735
322	Nee	NMC	36736
323	Nee	NMC	36737
324	Nee	NMC	36738
325	Nee	NMC	36739
326	Nee	NMC	36740
327	Nee	NMC	36741

SCHEDULE I TO SPECIAL WARRANTY DEED
CONVEYING INTEREST IN OVERRIDING ROYALTY

CLAIM NAME	RECORDING INFORMATION	SERIAL NO.
------------	-----------------------	------------

Nee 328	NMC	36742
Nee 329	NMC	36743
Nee 330	NMC	36744
Nee 331	NMC	36745
Nee 332	NMC	36746
Nee 333	NMC	36747
Nee 334	NMC	36748
Nee 335	NMC	36749
Nee 336	NMC	36750
Nee 337	NMC	36751
Nee 338	NMC	36752
Nee 339	NMC	36753
Nee 340	NMC	36754
Nee 341	NMC	36755
Nee 342	NMC	36756
Nee 343	NMC	36757
Nee 344	NMC	36758
Nee 345	NMC	36759
Nee 346	NMC	36760
Nee 347	NMC	36761
Nee 348	NMC	36762
Nee 349	NMC	164281
Nee 350	NMC	164282
Nee 351	NMC	164283
Nee 352	NMC	164284
Nee 353	NMC	164285
Nee 354	NMC	164286
Nee 355	NMC	164287
Nee 356	NMC	164288
Nee 357	NMC	164289
Nee 358	NMC	164290
Nee 359	NMC	164291
Nee 360	NMC	164292
Nee 361	NMC	164293
Nee 362	NMC	164294
Nee 363	NMC	164295
Nee 364	NMC	164296
Nee 365	NMC	164297
Nee 366	NMC	164298
Nee 367	NMC	164299
Nee 368	NMC	164300
Nee 369	NMC	164301
Nee 370	NMC	164302
Nee 371	NMC	164303
Nee 372	NMC	164304
Nee 373	NMC	164305

SCHEDULE I TO SPECIAL WARRANTY DEED
CONVEYING INTEREST IN OVERRIDING ROYALTY

CLAIM NAME	RECORDING INFORMATION	BLM SERIAL NO.
------------	-----------------------	----------------

Nee 374	NMC 164306
Nee 375	NMC 164307
Nee 376	NMC 164308
Nee 377	NMC 164309
Nee 378	NMC 164310
Nee 379	NMC 164311
Nee 380	NMC 164312
Nee 381	NMC 164313
Nee 382	NMC 164314
Nee 383	NMC 164315
Nee 384	NMC 164316
Nee 385	NMC 164317
Nee 386	NMC 164318
Nee 387	NMC 164319
Nee 388	NMC 164320
Nee 389	NMC 164321
Nee 390	NMC 164322
Nee 391	NMC 164323
Nee 392	NMC 164324
Nee 393	NMC 164325
Nee 394	NMC 164326
Nee 395	NMC 164327
Nee 396	NMC 164328
Nee 397	NMC 164329
Nee 398	NMC 164330
Nee 399	NMC 164331
Nee 400	NMC 164332
Nee 401	NMC 164333
Nee 402	NMC 164334
Nee 403	NMC 164335
Nee 404	NMC 164336
Nee 405	NMC 164337
Nee 406	NMC 164338
Nee 407	NMC 164339
Nee 408	NMC 164340
Nee 409	NMC 164341
Nee 410	NMC 164342
Nee 411	NMC 164343
Nee 412	NMC 164344
Nee 413	NMC 164345
Nee 414	NMC 164346
Nee 415	NMC 164347
Nee 416	NMC 164348
Nee 417	NMC 164349
Nee 418	NMC 164350
Nee 419	NMC 164351

SCHEDULE I TO SPECIAL WARRANTY DEED
CONVEYING INTEREST IN OVERRIDING ROYALTY

CLAIM NAME	RECORDING INFORMATION	BIM SERIAL NO.
------------	-----------------------	----------------

Nee 420	NMC 164352
Nee 421	NMC 164353
Nee 422	NMC 164354
Nee 423	NMC 164355
Nee 424	NMC 164356
Nee 425	NMC 164357
Nee 426	NMC 164358
Nee 427	NMC 164359
Nee 428	NMC 164360
Nee 429	NMC 164361
Nee 430	NMC 164362
Nee 431	NMC 164363
Nee 432	NMC 164364
Nee 433	NMC 164365
Nee 434	NMC 164366
Nee 435	NMC 164367
Nee 436	NMC 164368
Nee 437	NMC 164369
Nee 438	NMC 164370
Nee 439	NMC 164371
Nee 440	NMC 164372
Nee 441	NMC 164373
Nee 442	NMC 164374
Nee 443	NMC 164375
Nee 444	NMC 164376
Nee 445	NMC 164377
Nee 446	NMC 164378
Nee 447	NMC 164379
Nee 448	NMC 164380
Nee 449	NMC 164381
Nee 450	NMC 164382
Nee 451	NMC 164383
Nee 452	NMC 164384
Nee 453	NMC 164385
Nee 454	NMC 164386
Nee 455	NMC 164387
Nee 456	NMC 164388
Nee 457	NMC 164389
Nee 458	NMC 164390
Nee 459	NMC 164391
Nee 460	NMC 164392
Nee 461	NMC 164393
Nee 462	NMC 164394
Nee 463	NMC 164395
Nee 464	NMC 164396
Nee 465	NMC 164397

SCHEDULE I TO SPECIAL WARRANTY DEED
CONVEYING INTEREST IN OVERRIDING ROYALTY

CLAIM NAME	RECORDING INFORMATION	SERIAL NO.
------------	-----------------------	------------

Nee 466	NMC 164398	NMC 164398
Nee 467	NMC 164399	NMC 164399
Nee 468	NMC 164400	NMC 164400
Nee 469	NMC 164401	NMC 164401
Nee 470	NMC 164402	NMC 164402
Nee 471	NMC 164403	NMC 164403
Nee 472	NMC 164404	NMC 164404
Nee 473	NMC 164405	NMC 164405
Nee 474	NMC 164406	NMC 164406
Nee 475	NMC 164407	NMC 164407
Nee 476	NMC 164408	NMC 164408
Nee 477	NMC 164409	NMC 164409
Nee 478	NMC 164410	NMC 164410
Nee 479	NMC 164411	NMC 164411
Nee 480	NMC 164412	NMC 164412
Nee 481	NMC 164413	NMC 164413
Nee 482	NMC 164414	NMC 164414
Nee 483	NMC 164415	NMC 164415
Nee 484	NMC 164416	NMC 164416
Nee 485	NMC 164417	NMC 164417
Nee 486	NMC 164418	NMC 164418
Nee 487	NMC 164419	NMC 164419
Nee 488	NMC 164420	NMC 164420
Nee 489	NMC 164421	NMC 164421
Nee 490	NMC 164422	NMC 164422
Nee 491	NMC 164423	NMC 164423
Nee 492	NMC 164424	NMC 164424
Nee 493	NMC 164425	NMC 164425
Nee 494	NMC 164426	NMC 164426
Nee 495	NMC 164427	NMC 164427
Nee 496	NMC 164428	NMC 164428
Nee 497	NMC 164429	NMC 164429
Nee 498	NMC 164430	NMC 164430
Nee 499	NMC 164431	NMC 164431
Nee 500	NMC 164432	NMC 164432
Nee 501	NMC 164433	NMC 164433
Nee 502	NMC 164434	NMC 164434
Nee 503	NMC 164435	NMC 164435
Nee 504	NMC 164436	NMC 164436
Nee 505	NMC 164437	NMC 164437
Nee 506	NMC 164438	NMC 164438
Nee 507	NMC 164439	NMC 164439
Nee 508	NMC 164440	NMC 164440
Nee 509	NMC 164441	NMC 164441
Nee 510	NMC 164442	NMC 164442
Nee 511	NMC 164443	NMC 164443

SCHEDULE I TO SPECIAL WARRANTY DEED
CONVEYING INTEREST IN OVERRIDING ROYALTY

CLAIM NAME RECORDING INFORMATION SERIAL NO. BLM

Nee	512	NMC	164444
Nee	513	NMC	164445
Nee	514	NMC	164446
Nee	515	NMC	164447
Nee	516	NMC	164448
Nee	517	NMC	164449
Nee	518	NMC	164450
Nee	519	NMC	164451
Nee	520	NMC	164452
Nee	521	NMC	164453
Nee	522	NMC	377281
Nee	523	NMC	377282
Nee	524	NMC	377283
Nee	525	NMC	377284
Nee	526	NMC	377285
Nee	527	NMC	377286
Nee	528	NMC	377287
Nee	529	NMC	377288
Nee	530	NMC	377289
Nee	531	NMC	377290
Nee	532	NMC	377291
Nee	533	NMC	377292
Nee	534	NMC	377293
Nee	535	NMC	377294
Nee	536	NMC	377295
Nee	537	NMC	377296
Nee	538	NMC	377297
Nee	539	NMC	377298
Nee	540	NMC	377299
Nee	541	NMC	377300
Nee	542	NMC	377301
Nee	543	NMC	377302
Nee	544	NMC	377303
Nee	545	NMC	377304
Nee	546	NMC	377305
Nee	547	NMC	377306
Nee	548	NMC	377307
Nee	549	NMC	377308
Nee	550	NMC	377309
Nee	551	NMC	377310
Nee	552	NMC	377311
Nee	553	NMC	377312
Nee	554	NMC	377313
Nee	555	NMC	377314
Nee	556	NMC	377315
Nee	557	NMC	377316

SCHEDULE I TO SPECIAL WARRANTY DEED
CONVEYING INTEREST IN OVERRIDING ROYALTY

CLAIM NAME	RECORDING INFORMATION	SERIAL NO.
------------	-----------------------	------------

Nee 558		NMC 377317
Nee 559		NMC 377318
Nee 560		NMC 377319
Nee 561		NMC 377320
Nee 562		NMC 377321
Nee 563		NMC 377322
Nee 564		NMC 377323
Nee 565		NMC 377324
Nee 566		NMC 377325
Nee 567		NMC 377326
Nee 568		NMC 377327
Nee 569		NMC 377328
Nee 570		NMC 377329
Nee 571		NMC 377330
Nee 572		NMC 377331
Nee 573		NMC 377332
Nee 574		NMC 377333
Nee 575		NMC 377334
Nee 576		NMC 377335
Nee 577		NMC 377336
Nee 578		NMC 377337
Nee 579		NMC 377338
Nee 580		NMC 377339
Nee 581		NMC 377340
Nee 582		NMC 377341
Nee 583		NMC 377342
Nee 584		NMC 377343
Nee 585		NMC 377344
Nee 586		NMC 377345
Nevada Gold		NMC 71681
New Lode		NMC 68309
No. 6		NMC 70544
NORTH-BEAUT	Book 378 Page 070	NMC 655775
Northern Lode		NMC 69743
Oak		NMC 69743
OF		NMC 69754
Oversight		NMC 61424
OWL		NMC 68317
Park Extension # 1	Book 352 Page 539	NMC 608583
Park Extension # 2	Book 352 Page 540	NMC 608584
Park Extension # 3	Book 352 Page 541	NMC 608585
Pete		NMC 71695
Pistol 1		NMC 502193
Pistol 2		NMC 502194
Pistol 3		NMC 502195
Pistol 4		NMC 502196

Page 37 of Part I

BOOK 249 PAGE 061

SCHEDULE I TO SPECIAL WARRANTY DEED
CONVEYING INTEREST IN OVERRIDING ROYALTY

CLAIM NAME	RECORDING INFORMATION	SERIAL NO.
------------	-----------------------	------------

Pistol	NMC	502197
Pistol	NMC	502198
Pistol	NMC	502199
Pistol	NMC	502200
Pistol	NMC	502201
Pistol	NMC	502202
Pistol	NMC	502203
Pistol	NMC	502204
Pistol	NMC	502205
Pistol	NMC	502206
Pistol	NMC	502207
Pistol	NMC	502208
Pistol	NMC	502209
Pistol	NMC	502210
Pistol	NMC	502211
Pistol	NMC	502212
Pistol	NMC	502213
Pistol	NMC	502214
Pistol	NMC	502215
Pistol	NMC	502216
Pistol	NMC	502217
Pistol	NMC	502218
Pistol	NMC	502219
Pistol	NMC	502220
Pistol	NMC	502221
Pistol	NMC	502222
Pistol	NMC	502223
Pistol	NMC	502224
Pistol	NMC	502225
Pistol	NMC	502226
Pistol	NMC	502227
Pistol	NMC	502228
Pistol	NMC	502229
Pistol	NMC	502230
Pistol	NMC	502231
Pistol	NMC	502232
Pistol	NMC	502233
Pistol	NMC	502234
Pistol	NMC	502235
Pistol	NMC	502236
Pistol	NMC	502237
Pistol	NMC	502238
Pistol	NMC	502239
Pistol	NMC	502240
Pistol	NMC	502241
Pistol	NMC	502242

SCHEDULE I TO SPECIAL WARRANTY DEED
CONVEYING INTEREST IN OVERRIDING ROYALTY

CLAIM NAME	RECORDING INFORMATION	SERIAL NO.
------------	-----------------------	------------

Pistol 51
Pistol 52
Pistol 53
Pitts Lode

Pixie 1
Pixie 2
Pixie 3
Pixie 4
Pixie 5
Pixie 6
Pixie 7
Pixie 8
Pixie 9
Pixie 10
Pixie 11
Pixie 12
Pixie 13
Pixie 14
Pixie 15
Pixie 16
Pixie 17
Pixie 18
Pixie 19
Pixie 20
Pixie 21
Pixie 22
Pixie 23
Pixie 24
Pixie 25
Pixie 26
Pixie 27
Pixie 28
Pixie 29
Pixie 30
Pixie 31
Pixie 32
Pixie 33
Pixie 34
Pixie 35
Pixie 36
Pixie 37
Pixie 38
Pixie 39
Pixie 40
Pixie 41
Pixie 42

NMC 502243
NMC 502244
NMC 502245
NMC 65691
NMC 76487
NMC 76488
NMC 76489
NMC 76490
NMC 76491
NMC 76492
NMC 76493
NMC 76494
NMC 76495
NMC 76496
NMC 76497
NMC 76498
NMC 76499
NMC 76500
NMC 76501
NMC 76502
NMC 76503
NMC 76504
NMC 76505
NMC 76506
NMC 76507
NMC 76508
NMC 76509
NMC 76510
NMC 76511
NMC 76512
NMC 76513
NMC 76514
NMC 76515
NMC 76516
NMC 76517
NMC 76518
NMC 76519
NMC 76520
NMC 76521
NMC 76522
NMC 76523
NMC 76524
NMC 76525
NMC 76526
NMC 76527
NMC 76528

Book 21 Page 248

Page 39 of Part I

BOOK 249 PAGE 063

NMC 76529
 NMC 76530
 NMC 76531
 NMC 76532
 NMC 76533
 NMC 76534
 NMC 76535
 NMC 76536
 NMC 76537
 NMC 76538
 NMC 76539
 NMC 76540
 NMC 76541
 NMC 76542
 NMC 76543
 NMC 76544
 NMC 76545
 NMC 76546
 NMC 76547
 NMC 76548
 NMC 76549
 NMC 76550
 NMC 76551
 NMC 76552
 NMC 76553
 NMC 76554
 NMC 76555
 NMC 76556
 NMC 76557
 NMC 76558
 NMC 76559
 NMC 76560
 NMC 76561
 NMC 76562
 NMC 76563
 NMC 76564
 NMC 76565
 NMC 76566
 NMC 76567
 NMC 76568
 NMC 76569
 NMC 76570
 NMC 76571
 NMC 76572
 NMC 76573
 NMC 76574

Pixie 43
 Pixie 44
 Pixie 45
 Pixie 46
 Pixie 47
 Pixie 48
 Pixie 49
 Pixie 50
 Pixie 51
 Pixie 52
 Pixie 53
 Pixie 54
 Pixie 55
 Pixie 56
 Pixie 57
 Pixie 58
 Pixie 59
 Pixie 60
 Pixie 61
 Pixie 62
 Pixie 63
 Pixie 64
 Pixie 65
 Pixie 66
 Pixie 67
 Pixie 68
 Pixie 69
 Pixie 70
 Pixie 71
 Pixie 72
 Pixie 73
 Pixie 74
 Pixie 75
 Pixie 76
 Pixie 77
 Pixie 78
 Pixie 79
 Pixie 80
 Pixie 81
 Pixie 82
 Pixie 83
 Pixie 84
 Pixie 85
 Pixie 86
 Pixie 87
 Pixie 88

SCHEDULE I TO SPECIAL WARRANTY DEED
 CONVEYING INTEREST IN OVERRIDING ROYALTY

CLAIM NAME RECORDING INFORMATION SERIAL NO.

SCHEDULE I TO SPECIAL WARRANTY DEED
CONVEYING INTEREST IN OVERRIDING ROYALTY

CLAIM NAME	RECORDING INFORMATION	BLM SERIAL NO.
------------	-----------------------	----------------

Pixie 89	NMC 225327	NMC 225327
Pixie 90	NMC 225328	NMC 225328
Pixie 91	NMC 225329	NMC 225329
Pixie 92	NMC 225330	NMC 225330
Pixie 93	NMC 225331	NMC 225331
Pixie 94	NMC 225332	NMC 225332
Pixie 95	NMC 225333	NMC 225333
Pixie 96	NMC 225334	NMC 225334
Pixie 99	NMC 76575	NMC 76575
Pixie 100	NMC 76576	NMC 76576
Pixie 101	NMC 70559	NMC 70559
Pixie 102	NMC 70560	NMC 70560
Pixie 103	NMC 70561	NMC 70561
Pixie 104	NMC 70562	NMC 70562
Pixie 105	NMC 70563	NMC 70563
Pixie 106	NMC 580866	NMC 580866
Pixie 107	NMC 70564	NMC 70564
Pixie 108	NMC 76577	NMC 76577
Pixie 109	NMC 76578	NMC 76578
Pixie 110	NMC 76579	NMC 76579
Pixie 111	NMC 76580	NMC 76580
Pixie 112	NMC 76581	NMC 76581
Pixie 113	NMC 76582	NMC 76582
Pixie 114	NMC 76583	NMC 76583
Pixie 115	NMC 76584	NMC 76584
Pixie 116	NMC 76585	NMC 76585
Pixie 117	NMC 70565	NMC 70565
Pixie 118	NMC 76586	NMC 76586
Pixie 120	NMC 76587	NMC 76587
Pixie 122	NMC 70566	NMC 70566
Pixie 125	NMC 76588	NMC 76588
Pixie 126	NMC 76589	NMC 76589
Pixie 127	NMC 76590	NMC 76590
Pixie 128	NMC 70567	NMC 70567
Pixie 129	NMC 70568	NMC 70568
Pixie 130	NMC 76591	NMC 76591
Pixie 131	NMC 76592	NMC 76592
Pixie 132	NMC 76593	NMC 76593
Pixie 133	NMC 76594	NMC 76594
Pixie 134	NMC 76595	NMC 76595
Pixie 135	NMC 76596	NMC 76596
Pixie 136	NMC 76597	NMC 76597
Pixie 137	NMC 76598	NMC 76598
Pixie 138	NMC 76599	NMC 76599
Pixie 139	NMC 76600	NMC 76600
Pixie 140	NMC 70569	NMC 70569

SCHEDULE I TO SPECIAL WARRANTY DEED
CONVEYING INTEREST IN OVERRIDING ROYALTY

CLAIM NAME RECORDING INFORMATION SERIAL NO.

CLAIM NAME	RECORDING INFORMATION	SERIAL NO.
Pixie 141	NMC	70570
Pixie 142	NMC	70571
Pixie 143	NMC	70572
Pixie 144	NMC	70573
Pixie 145	NMC	70574
Pixie 146	NMC	76601
Pixie 147	NMC	76602
Pixie 148	NMC	76603
Pixie 149	NMC	76604
Pixie 150	NMC	76605
Pixie 151	NMC	76606
Pixie 152	NMC	76607
Pixie 153	NMC	76608
Pixie 154	NMC	76609
Pixie 155	NMC	76610
Pixie 156	NMC	76611
Pixie 201	NMC	76612
Pixie 202	NMC	76613
Pixie 203	NMC	76614
Pixie 204	NMC	76615
Pixie 210	NMC	76616
Pixie 212	NMC	76617
Pixie 214	NMC	76618
PL 1	Book 365	Page 065
PL 2	Book 365	Page 066
PL 3	Book 365	Page 067
PL 4	Book 365	Page 068
PL 5	Book 365	Page 069
PL 6	Book 365	Page 070
PL 7	Book 365	Page 071
PL 8	Book 365	Page 072
PL 9	Book 365	Page 073
PL 10	Book 365	Page 075
PL 11	Book 365	Page 076
PL 12	Book 365	Page 077
PL 13	Book 365	Page 078
PL 14	Book 365	Page 079
PL 15	Book 365	Page 080
PL 16	Book 365	Page 081
PL 17	Book 365	Page 082
PL 18	Book 365	Page 083
PL 19	Book 365	Page 084
PL 20	Book 365	Page 085
PL 21	Book 365	Page 086
PL 22	Book 365	Page 087
PL 23	Book 365	Page 088
PL 24	NMC	635036
PL 25	NMC	635035
PL 26	NMC	635034
PL 27	NMC	635033
PL 28	NMC	635032
PL 29	NMC	635031
PL 30	NMC	635030
PL 31	NMC	635029
PL 32	NMC	635028
PL 33	NMC	635027
PL 34	NMC	635026
PL 35	NMC	635025
PL 36	NMC	635024
PL 37	NMC	635023
PL 38	NMC	635022
PL 39	NMC	635021
PL 40	NMC	635020
PL 41	NMC	635019
PL 42	NMC	635018
PL 43	NMC	635017
PL 44	NMC	635016
PL 45	NMC	635015
PL 46	NMC	635014

Page 42 of Part I

SCHEDULE I TO SPECIAL WARRANTY DEED
 CONVEYING INTEREST IN OVERRIDING ROYALTY

BK 396Pg 342

CLAIM NAME RECORDING SERIAL NO.

PL	24	Book 365	Page 089	NMC	635037
PL	25	Book 365	Page 090	NMC	635038
PL	26	Book 365	Page 091	NMC	635039
PL	27	Book 365	Page 092	NMC	635040
PL	28	Book 365	Page 093	NMC	635041
PL	29	Book 365	Page 094	NMC	635042
PL	30	Book 365	Page 095	NMC	635043
PL	31	Book 365	Page 096	NMC	635044
PL	32	Book 365	Page 097	NMC	635045
PL	33	Book 365	Page 098	NMC	635046
PL	34	Book 365	Page 099	NMC	635047
PL	35	Book 365	Page 100	NMC	635048
PL	36	Book 365	Page 101	NMC	635049
PL	37	Book 365	Page 102	NMC	635050
PL	38	Book 365	Page 103	NMC	635051
PL	39	Book 365	Page 104	NMC	635052
PL	40	Book 365	Page 105	NMC	635053
PL	41	Book 365	Page 106	NMC	635054
PL	42	Book 365	Page 107	NMC	635055
PL	43	Book 365	Page 108	NMC	635056
PL	44	Book 365	Page 109	NMC	635057
PL	45	Book 365	Page 110	NMC	635058
PL	46	Book 365	Page 111	NMC	635059
PL	47	Book 365	Page 112	NMC	635060
PL	48	Book 365	Page 113	NMC	635061
PL	49	Book 365	Page 114	NMC	635062
PL	50	Book 365	Page 115	NMC	635063
PL	51	Book 365	Page 116	NMC	635064
PL	52	Book 365	Page 117	NMC	635065
PL	53	Book 365	Page 118	NMC	635066
PL	54	Book 365	Page 119	NMC	635067
PL	55	Book 365	Page 120	NMC	635068
PL	56	Book 365	Page 122	NMC	635069
PL	57	Book 365	Page 123	NMC	635070
PL	58	Book 365	Page 071	NMC	635071
PL	59	Book 365	Page 125	NMC	635072
PL	60	Book 365	Page 126	NMC	635073
PL	61	Book 365	Page 127	NMC	635074
PL	62	Book 365	Page 128	NMC	635075
PL	63	Book 365	Page 129	NMC	635076
PL	64	Book 365	Page 130	NMC	635077
PL	65	Book 365	Page 131	NMC	635078
PL	66	Book 365	Page 132	NMC	635079
PL	67	Book 365	Page 133	NMC	635080
PL	68	Book 365	Page 134	NMC	635081
PL	69	Book 365	Page 135	NMC	635082

Page 43 of Part I

BOOK 249 PAGE 067

SCHEDULE I TO SPECIAL WARRANTY DEED
 CONVEYING INTEREST IN OVERRIDING ROYALTY

BK 396Pc343

CLAIM NAME RECORDING SERIAL NO.

PL 70	Book 365	Page 136	NMC 635083
PL 71	Book 365	Page 137	NMC 635084
PL 72	Book 365	Page 138	NMC 635085
PL 73	Book 365	Page 139	NMC 635086
PL 74	Book 365	Page 140	NMC 635087
PL 75	Book 365	Page 141	NMC 635088
PL 76	Book 365	Page 142	NMC 635089
PL 77	Book 365	Page 143	NMC 635090
PL 78	Book 365	Page 144	NMC 635091
PL 79	Book 365	Page 145	NMC 635092
PL 80	Book 365	Page 146	NMC 635093
PL 81	Book 365	Page 147	NMC 635094
PL 82	Book 365	Page 148	NMC 635095
PL 83	Book 365	Page 149	NMC 635096
PL 84	Book 365	Page 150	NMC 635097
PL 85	Book 365	Page 151	NMC 635098
PL 86	Book 365	Page 152	NMC 635099
PL 87	Book 365	Page 153	NMC 635100
PL 88	Book 365	Page 154	NMC 635101
PL 89	Book 365	Page 155	NMC 635102
PL 90	Book 365	Page 156	NMC 635103
PL 91	Book 365	Page 157	NMC 635104
PL 92	Book 365	Page 158	NMC 635105
PL 93	Book 365	Page 159	NMC 635106
PL 94	Book 365	Page 160	NMC 635107
PL 95	Book 365	Page 161	NMC 635108
PL 96	Book 365	Page 162	NMC 635109
PL 97	Book 365	Page 163	NMC 635110
PL 98	Book 365	Page 164	NMC 635111
PL 99	Book 365	Page 165	NMC 635112
PL 100	Book 365	Page 166	NMC 635113
PL 101	Book 365	Page 167	NMC 635114
PL 102	Book 365	Page 168	NMC 635115
PL 103	Book 365	Page 169	NMC 635116
PL 104	Book 365	Page 170	NMC 635117
PL 105	Book 365	Page 171	NMC 635118
PL 106	Book 365	Page 172	NMC 635119
PL 107	Book 365	Page 173	NMC 635120
PL 108	Book 365	Page 174	NMC 635121
PL 109	Book 365	Page 175	NMC 635122
PL 110	Book 365	Page 176	NMC 635123
PL 111	Book 365	Page 177	NMC 635124
PL 112	Book 365	Page 178	NMC 635125
PL 113	Book 365	Page 179	NMC 635126
PL 114	Book 365	Page 180	NMC 635127
PL 115	Book 365	Page 181	NMC 635128

Page 44 of Part I

BOOK 249 PAGE 068

**SCHEDULE I TO SPECIAL WARRANTY DEED
CONVEYING INTEREST IN OVERRIDING ROYALTY**

CLAIM NAME	RECORDING INFORMATION	BIM SERIAL NO.
------------	--------------------------	-------------------

PL 116	Book 365	Page 182	NMC 635129
PL 117	Book 365	Page 183	NMC 635130
PL 118	Book 365	Page 184	NMC 635131
PL 119	Book 365	Page 185	NMC 635132
PL 120	Book 365	Page 186	NMC 635133
PL 121	Book 365	Page 187	NMC 635134
PL 122	Book 365	Page 188	NMC 635135
PL 123	Book 365	Page 189	NMC 635136
PL 124	Book 365	Page 190	NMC 635137
PL 125	Book 365	Page 191	NMC 635138
PL 126	Book 365	Page 192	NMC 635139
PL 127	Book 365	Page 193	NMC 635140
PL 128	Book 365	Page 194	NMC 635141
PL 129	Book 365	Page 195	NMC 635142
PL 130	Book 365	Page 196	NMC 635143
PL 131	Book 365	Page 197	NMC 635144
PL 132	Book 365	Page 198	NMC 635145
PL 133	Book 365	Page 199	NMC 635146
PL 134	Book 365	Page 200	NMC 635147
PL 138	Book 365	Page 201	NMC 635148
PL 139	Book 365	Page 202	NMC 635150
PL 139A	Book 365	Page 203	NMC 635149
PL 140	Book 365	Page 204	NMC 635151
PL 141	Book 365	Page 205	NMC 635152
PL 142	Book 365	Page 206	NMC 635153
PL 143	Book 365	Page 207	NMC 635154
PL 144	Book 365	Page 208	NMC 635155
PL 144A	Book 365	Page 209	NMC 635156
PL 145	Book 365	Page 210	NMC 635157
PL 146	Book 365	Page 211	NMC 635158
PL 147	Book 365	Page 212	NMC 635159
PL 148	Book 365	Page 213	NMC 635160
PL 149	Book 365	Page 216	NMC 635161
PL 150	Book 365	Page 217	NMC 635162
PL 151	Book 365	Page 218	NMC 635163
PL 152	Book 365	Page 219	NMC 635164
PL 153	Book 365	Page 220	NMC 635165
PL 154	Book 365	Page 221	NMC 635166
PL 155	Book 365	Page 222	NMC 635167
PL 156	Book 365	Page 223	NMC 635168
PL 157	Book 365	Page 224	NMC 635169
PL 158	Book 365	Page 225	NMC 635170
PL 159	Book 365	Page 226	NMC 635171
PL 160	Book 365	Page 227	NMC 635172
PL 161	Book 365	Page 228	NMC 635173
PL 162	Book 365	Page 229	NMC 635174

Page 45 of Part I

BOOK 249 PAGE 069

BK 396 PG 344

SCHEDULE I TO SPECIAL WARRANTY DEED
CONVEYING INTEREST IN OVERRIDING ROYALTY

CLAIM NAME RECORDING INFORMATION SERIAL NO. BLM

PL 163	Book 365	Page 230	NMC 635175
PL 165	Book 365	Page 231	NMC 635176
PL 166	Book 365	Page 232	NMC 635177
PL 167	Book 365	Page 233	NMC 635178
PL 168	Book 365	Page 234	NMC 635179
PL 169	Book 365	Page 235	NMC 635180
PL 171	Book 365	Page 236	NMC 635181
PL 172	Book 365	Page 237	NMC 635182
PL 173	Book 365	Page 238	NMC 635183
PL 174	Book 365	Page 239	NMC 635184
PL 175	Book 365	Page 240	NMC 635185
PL 176	Book 365	Page 241	NMC 635186
PL 177	Book 365	Page 242	NMC 635187
PL 179	Book 365	Page 243	NMC 635188
PL 180	Book 365	Page 244	NMC 635189
PL 181	Book 365	Page 245	NMC 635190
PL 182	Book 365	Page 246	NMC 635191
PL 183	Book 365	Page 247	NMC 635192
PL 184	Book 365	Page 248	NMC 635193
PL 185	Book 365	Page 249	NMC 635194
PL 186	Book 365	Page 250	NMC 635195
PL 187	Book 365	Page 251	NMC 635196
PL 189	Book 365	Page 252	NMC 635197
PL 190	Book 365	Page 253	NMC 635198
PL 191	Book 365	Page 254	NMC 635199
PL 192	Book 365	Page 255	NMC 635200
PL 193	Book 365	Page 256	NMC 635201
PL 194	Book 365	Page 257	NMC 635202
PL 195	Book 365	Page 258	NMC 635203
PL 196	Book 365	Page 259	NMC 635204
PL 197	Book 365	Page 260	NMC 635205
PL 198	Book 365	Page 252	NMC 635206
PL 199	Book 365	Page 263	NMC 635207
PL 200	Book 365	Page 264	NMC 635208
PL 201	Book 365	Page 265	NMC 635209
PL 202	Book 365	Page 266	NMC 635210
PL 203	Book 365	Page 267	NMC 635211
PL 204	Book 365	Page 268	NMC 635212
PL 205	Book 365	Page 269	NMC 635213
PL 206	Book 365	Page 270	NMC 635214
PL 207	Book 365	Page 271	NMC 635215
PL 208	Book 365	Page 272	NMC 635216
PL 209	Book 265	Page 273	NMC 635217
PL 210	Book 365	Page 274	NMC 635218
PL 211	Book 365	Page 275	NMC 635219
PL 212	Book 365	Page 276	NMC 635220

Page 46 of Part I

BOOK 249 PAGE 070

SCHEDULE I TO SPECIAL WARRANTY DEED
CONVEYING INTEREST IN OVERRIDING ROYALTY

CLAIM NAME RECORDING INFORMATION SERIAL NO. BLM

PL 213	Book 365	Page 277	NMC 635221
PL 214	Book 365	Page 278	NMC 635222
PL 215	Book 365	Page 279	NMC 635223
PL 216	Book 365	Page 280	NMC 635224
PL 217	Book 365	Page 281	NMC 635225
PL 218	Book 365	Page 282	NMC 635226
PL 219	Book 365	Page 283	NMC 635227
PL 220	Book 365	Page 284	NMC 635228
PL 221	Book 365	Page 285	NMC 635229
PL 222	Book 365	Page 286	NMC 635230
PL 223	Book 365	Page 287	NMC 635231
PL 224	Book 365	Page 288	NMC 635232
PL 225	Book 365	Page 289	NMC 635233
PL 226	Book 365	Page 290	NMC 635234
PL 227	Book 365	Page 291	NMC 635235
PL 228	Book 365	Page 292	NMC 635236
PL 229	Book 365	Page 294	NMC 635237
PL 230	Book 365	Page 295	NMC 635268
PL 231	Book 365	Page 296	NMC 635239
PL 232	Book 365	Page 297	NMC 635240
PL 233	Book 365	Page 298	NMC 635241
PL 234	Book 365	Page 299	NMC 635242
PL 235	Book 365	Page 300	NMC 635243
PL 236	Book 365	Page 301	NMC 635244
PL 237	Book 365	Page 302	NMC 635245
PL 238	Book 365	Page 303	NMC 635246
PL 239	Book 365	Page 304	NMC 635247
PL 240	Book 365	Page 305	NMC 635248
PL 241	Book 365	Page 306	NMC 635249
PL 242	Book 365	Page 307	NMC 635250
PL 243	Book 365	Page 308	NMC 635251
PL 244	Book 365	Page 309	NMC 635252
PL 245	Book 365	Page 310	NMC 635253
PL 246	Book 365	Page 311	NMC 635254
PL 247	Book 365	Page 312	NMC 635255
PL 248	Book 365	Page 313	NMC 635256
PL 249	Book 365	Page 314	NMC 635257
PL 250	Book 365	Page 315	NMC 635258
PL 251	Book 365	Page 316	NMC 635259
PL 252	Book 365	Page 317	NMC 635260
PL 253	Book 365	Page 318	NMC 635261
PL 254	Book 365	Page 319	NMC 635262
PL 255	Book 365	Page 320	NMC 635263
PL 256	Book 365	Page 321	NMC 635264
PL 257	Book 365	Page 322	NMC 635265
PL 258	Book 365	Page 323	NMC 635266

Page 47 of Part I

BOOK 249 PAGE 071

SCHEDULE I TO SPECIAL WARRANTY DEED
CONVEYING INTEREST IN OVERRIDING ROYALTY

CLAIM NAME RECORDING SERIAL NO.

PL 259	Book 365	Page 324	NMC 635267
PL 260	Book 365	Page 325	NMC 635268
PL 261	Book 365	Page 326	NMC 635269
PL 262	Book 365	Page 327	NMC 635270
PL 263	Book 365	Page 328	NMC 635271
PL 264	Book 365	Page 329	NMC 635272
PL 500	Book 365	Page 331	NMC 635273
PL 501	Book 365	Page 332	NMC 635274
PL 502	Book 365	Page 333	NMC 635275
PL 503	Book 365	Page 334	NMC 635276
PL 504	Book 365	Page 335	NMC 635277
PL 505	Book 365	Page 336	NMC 635278
PL 506	Book 365	Page 337	NMC 635279
PL 507	Book 365	Page 338	NMC 635280
PL 508	Book 365	Page 339	NMC 635281
Porcupine			NMC 61355
Prospect			NMC 69748
Queen			NMC 68310
Red Robin			NMC 61349
Residue			NMC 68211
Residue			NMC 68212
Residue			NMC 68213
RT 41	Book 20	Page 307	NMC 66848
RT 42	Book 20	Page 308	NMC 66849
RT 43	Book 20	Page 309	NMC 66850
RT 53	Book 29	Page 70	NMC 66840
RT 54	Book 29	Page 72	NMC 66841
RT 55	Book 29	Page 74	NMC 66842
RT 56	Book 20	Page 313	NMC 66843
RT 57	Book 20	Page 314	NMC 66844
RT 58	Book 20	Page 315	NMC 66845
RT 200	Book 292	Page 358	NMC 417424
RT 201	Book 292	Page 359	NMC 417425
RT 202	Book 292	Page 360	NMC 417426
RT 203	Book 292	Page 361	NMC 417427
S-2	Book 214	Page 317	NMC 245852
S-200	Book 298	Page 82	NMC 436109
S-3	Book 214	Page 318	NMC 245853
Sage Hen			NMC 61353
Sally			NMC 562092
Sally			NMC 562093
Sally			NMC 562094
Sally			NMC 562095
Sally			NMC 562096
Sally			NMC 562097
Sally			NMC 562098

Page 48 of Part I

BOOK 249 PAGE 072

SCHEDULE I TO SPECIAL WARRANTY DEED
CONVEYING INTEREST IN OVERRIDING ROYALTY

CLAIM NAME	RECORDING INFORMATION	BIM SERIAL NO.
------------	-----------------------	----------------

Sally		NMC 562099
Sally		NMC 562100
Sally		NMC 562101
Sally		NMC 562102
Sally		NMC 562103
Sally		NMC 562104
Sally		NMC 562105
Sally		NMC 562106
Sally		NMC 562107
Sally		NMC 562108
Sally		NMC 562109
Sally		NMC 562110
Sally		NMC 562111
Sally		NMC 562112
Sally		NMC 562113
Sally		NMC 562114
Sally		NMC 562115
Sally		NMC 562116
Sally		NMC 562117
Sally		NMC 562118
Sally		NMC 562119
Sally		NMC 562120
Sally		NMC 562121
Sally		NMC 562122
Sally		NMC 562123
Sally		NMC 562124
Sally		NMC 562125
Sally		NMC 562126
Sam		NMC 562001
Sam		NMC 562002
Sam		NMC 562003
Sam		NMC 562004
Sam		NMC 562005
Sam		NMC 562006
Sam		NMC 562007
Sam		NMC 562008
Sam		NMC 562009
Sam		NMC 562010
Sam		NMC 562011
Sam		NMC 562012
Sam		NMC 562013
Sam		NMC 562014
Sam		NMC 562015
Sam		NMC 562016
Sam		NMC 562017
Sam		NMC 562018

SCHEDULE I TO SPECIAL WARRANTY DEED
CONVEYING INTEREST IN OVERRIDING ROYALTY

CLAIM NAME	RECORDING INFORMATION	BIM SERIAL NO.
------------	-----------------------	----------------

Sam	19	NMC 562019
Sam	20	NMC 562020
Sam	21	NMC 562021
Sam	22	NMC 562022
Sam	23	NMC 562023
Sam	24	NMC 562024
Sam	25	NMC 562025
Sam	26	NMC 562026
Sam	27	NMC 562027
Sam	28	NMC 562028
Sam	29	NMC 562029
Sam	30	NMC 562030
Sam	31	NMC 562031
Sam	32	NMC 562032
Sam	33	NMC 562033
Sam	34	NMC 562034
Sam	35	NMC 562035
Sam	36	NMC 562036
Sam	37	NMC 562037
Sam	38	NMC 562038
Sam	39	NMC 562039
Sam	40	NMC 562040
Sam	41	NMC 562041
Sam	42	NMC 562042
Sam	43	NMC 562043
Sam	44	NMC 562044
Sam	45	NMC 562045
Sam	46	NMC 562046
Sam	47	NMC 562047
Sam	48	NMC 562048
Sam	49	NMC 562049
Sam	50	NMC 562050
Sam	51	NMC 562051
Sam	52	NMC 562052
Sam	53	NMC 562053
Sam	54	NMC 562054
Sam	55	NMC 562055
Sam	56	NMC 562056
Sam	57	NMC 562057
Sam	58	NMC 562058
Sam	59	NMC 562059
Sam	60	NMC 562060
Sam	61	NMC 562061
Sam	62	NMC 562062
Sam	63	NMC 562063
Sam	64	NMC 562064

SCHEDULE I TO SPECIAL WARRANTY DEED
CONVEYING INTEREST IN OVERRIDING ROYALTY

CLAIM NAME RECORDING INFORMATION SERIAL NO.

Sam 65 NMC 562065

Sam 66 NMC 562066

Sam 67 NMC 562067

Sam 68 NMC 562068

Sam 69 NMC 562069

Sam 70 NMC 562070

Sam 71 NMC 562071

Sam 72 NMC 562072

Sam 73 NMC 562073

Sam 74 NMC 562074

Sam 75 NMC 562075

Sam 76 NMC 562076

Sam 77 NMC 562077

Sam 78 NMC 562078

Sam 79 NMC 562079

Sam 80 NMC 562080

Sam 81 NMC 562081

Sam 82 NMC 562082

Sam 83 NMC 562083

Sam 84 NMC 562084

Sam 85 NMC 562085

Sam 86 NMC 562086

Sam 87 NMC 562087

Sam 88 NMC 562088

Sam 89 NMC 562089

Sam 90 NMC 562090

Sam 91 NMC 562091

SANDRIFF

Sandra SANDRA FRACTION

Saturn Security

Silver Reef Silver State

soak spruce

Stock 1

Stock 2

Stock 3

Stock 4

Stock 5

Stock 6

Stock 7

Stock 8

Stock 9

Stock 10

Book 378 Page 063

Book 378 Page 063

Book 387 Page 457

Book 390 Page 4

Page 51 of Part I

BOOK 249 PAGE 075

NMC 562065
NMC 562066
NMC 562067
NMC 562068
NMC 562069
NMC 562070
NMC 562071
NMC 562072
NMC 562073
NMC 562074
NMC 562075
NMC 562076
NMC 562077
NMC 562078
NMC 562079
NMC 562080
NMC 562081
NMC 562082
NMC 562083
NMC 562084
NMC 562085
NMC 562086
NMC 562087
NMC 562088
NMC 562089
NMC 562090
NMC 562091
NMC 655770
NMC 71696
NMC 655768
NMC 71658
NMC 68313
NMC 71688
NMC 68312
NMC 667023
NMC 66396
NMC 435260
NMC 435261
NMC 435262
NMC 435263
NMC 435264
NMC 435265
NMC 435266
NMC 435267
NMC 435268
NMC 435269

SCHEDULE I TO SPECIAL WARRANTY DEED
CONVEYING INTEREST IN OVERRIDING ROYALTY

CLAIM NAME	RECORDING INFORMATION	SERIAL NO.
------------	-----------------------	------------

Stock	NMC	435270
Stock	NMC	435271
Stock	NMC	435272
Stock	NMC	435273
Stock	NMC	435274
Stock	NMC	435275
Stock	NMC	435276
Stock	NMC	435277
Stock	NMC	435278
Stock	NMC	435279
Stock	NMC	435280
Stock	NMC	435281
Stock	NMC	435282
Stock	NMC	435283
Stock	NMC	435284
Stock	NMC	435285
Stock	NMC	435286
Stock	NMC	435287
Stock	NMC	435288
Stock	NMC	435289
Stock	NMC	435290
Stock	NMC	435291
Stock	NMC	435292
Stock	NMC	435293
Stock	NMC	435294
Stock	NMC	435295
Stock	NMC	435296
Stock	NMC	435297
Stock	NMC	435298
Stock	NMC	435299
Stock	NMC	435300
Stock	NMC	435301
Stock	NMC	435302
Stock	NMC	435303
Stock	NMC	435304
Stock	NMC	435305
Stock	NMC	435306
Stock	NMC	435307
Stock	NMC	435308
Stock	NMC	435309
Stock	NMC	435310
Stock	NMC	435311
Stock	NMC	435312
Stock	NMC	435313
Sweep-Stroke	NMC	69739
Tez	NMC	76619

SCHEDULE I TO SPECIAL WARRANTY DEED
CONVEYING INTEREST IN OVERRIDING ROYALTY

CLAIM NAME	RECORDING INFORMATION	SERIAL NO.
------------	-----------------------	------------

Tez		76620
Tez		76621
Tez		76622
Tez		76623
Tez		76624
Tez		76625
Tez		76626
Tez		76627
Tez		76628
Tez		76629
Tez		76630
Tez		76631
Tez		76632
Tez		76633
Tez		61433
Tez		61434
Tez		61434
Tez		76634
Tina		19761
Tina		19762
Torchy		69741
Torchy		68314
Tub		355827
Tub		355828
Tub		355829
Tub		355830
Tub		355831
Tub		355832
Tub		355833
Tub		355834
Tub		355835
Tub		355836
TUNE-UP	Book 378 Page 071	655776
Uranus		71691
Weasel		61352
Wildcat		61344
Wildcat		61345
Wildcat		61346
Wright		71697
WSN	Book 374 Page 401	650122
WSN	Book 374 Page 402	650123
WSN	Book 374 Page 403	650124
WSN	Book 374 Page 404	650125
WSN	Book 374 Page 405	650126
WSN	Book 374 Page 406	650127
WSN	Book 374 Page 407	650128

Page 53 of Part I

BOOK 249 PAGE 077

BK 396 Pg 353

SCHEDULE I TO SPECIAL WARRANTY DEED
CONVEYING INTEREST IN OVERRIDING ROYALTY

CLAIM NAME	RECORDING INFORMATION	BLM SERIAL NO.
------------	-----------------------	----------------

MSN 8	Book 374 Page 408	NMC 650129
MSN 9	Book 374 Page 409	NMC 650130
MSN 10	Book 374 Page 410	NMC 650131
MSN 11	Book 374 Page 411	NMC 650132
MSN 12	Book 374 Page 412	NMC 650133
MSN 13	Book 374 Page 413	NMC 650134
MSN 14	Book 374 Page 414	NMC 650135
MSN 15	Book 374 Page 415	NMC 650136
MSN 16	Book 374 Page 416	NMC 650137
MSN 17	Book 380 Page 461	NMC 650138
MSN 18	Book 374 Page 418	NMC 650139
MSN 19	Book 374 Page 419	NMC 650140
MSN 20	Book 374 Page 420	NMC 650141
MSN 21	Book 374 Page 421	NMC 650142
MSN 22	Book 374 Page 422	NMC 650143
MSN 23	Book 374 Page 423	NMC 650144
MSN 24	Book 374 Page 424	NMC 650145
MSN 25	Book 374 Page 425	NMC 650146
MSN 26	Book 374 Page 426	NMC 650147
MSN 27	Book 374 Page 427	NMC 650148
MSN 28	Book 374 Page 428	NMC 650149
MSN 29	Book 374 Page 429	NMC 650150
MSN 30	Book 374 Page 430	NMC 650151
MSN 31	Book 374 Page 431	NMC 650152
MSN 32	Book 374 Page 432	NMC 650153
MSN 33	Book 374 Page 433	NMC 650154
MSN 34	Book 374 Page 434	NMC 650155
MSN 35	Book 374 Page 435	NMC 650156
MSN 36	Book 374 Page 436	NMC 650157
MSN 37	Book 374 Page 437	NMC 650158
MSN 38	Book 374 Page 438	NMC 650159
MSN 39	Book 374 Page 439	NMC 650160
MSN 40	Book 374 Page 440	NMC 650161
MSN 41	Book 374 Page 441	NMC 650162
MSN 42	Book 374 Page 442	NMC 650163
MSN 43	Book 374 Page 443	NMC 650164
MSN 44	Book 374 Page 444	NMC 650165
MSN 45	Book 374 Page 445	NMC 650166
MSN 46	Book 374 Page 446	NMC 650167
MSN 47	Book 374 Page 447	NMC 650168
MSN 48	Book 374 Page 448	NMC 650169
MSN 49	Book 374 Page 449	NMC 650170
MSN 50	Book 374 Page 450	NMC 650171
MSN 51	Book 374 Page 451	NMC 650172
WSS 1	Book 374 Page 453	NMC 650095
WSS 2	Book 374 Page 454	NMC 650096

Page 54 of Part I

BOOK 249 PAGE 078

SCHEDULE I TO SPECIAL WARRANTY DEED
 CONVEYING INTEREST IN OVERRIDING ROYALTY

BK396PG354

CLAIM NAME RECORDING INFORMATION SERIAL NO.

CLAIM NAME	RECORDING INFORMATION	SERIAL NO.
MSS 3	Book 374 Page 455	NMC 650097
MSS 4	Book 374 Page 456	NMC 650098
MSS 5	Book 374 Page 457	NMC 650099
MSS 6	Book 374 Page 458	NMC 650100
MSS 7	Book 374 Page 459	NMC 650101
MSS 8	Book 374 Page 460	NMC 650102
MSS 9	Book 374 Page 461	NMC 650103
MSS 10	Book 374 Page 462	NMC 650104
MSS 11	Book 374 Page 463	NMC 650105
MSS 12	Book 374 Page 464	NMC 650106
MSS 13	Book 374 Page 465	NMC 650107
MSS 14	Book 374 Page 466	NMC 650108
MSS 15	Book 374 Page 467	NMC 650109
MSS 16	Book 374 Page 468	NMC 650110
MSS 17	Book 374 Page 469	NMC 650111
MSS 18	Book 374 Page 470	NMC 650112
MSS 19	Book 374 Page 471	NMC 650113
MSS 20	Book 374 Page 472	NMC 650114
MSS 21	Book 374 Page 473	NMC 650115
MSS 22	Book 374 Page 474	NMC 650116
MSS 23	Book 374 Page 475	NMC 650117
MSS 24	Book 374 Page 476	NMC 650118
MSS 25	Book 374 Page 477	NMC 650119
MSS 26	Book 374 Page 478	NMC 650120
MSS 27	Book 374 Page 479	NMC 650121
X 1	Book 350 Page 141	NMC 606287
X 2	Book 350 Page 142	NMC 606288
X 3	Book 350 Page 143	NMC 606289
X 4	Book 350 Page 144	NMC 606290
X 5	Book 350 Page 145	NMC 606291
X 6	Book 350 Page 146	NMC 606292
X 7	Book 350 Page 147	NMC 606293
X 8	Book 350 Page 148	NMC 606294
X 9	Book 350 Page 149	NMC 606295
X 10	Book 350 Page 150	NMC 606296
X 11	Book 350 Page 151	NMC 606297
X 12	Book 350 Page 152	NMC 606298
X 13	Book 350 Page 153	NMC 606299
X 14	Book 350 Page 154	NMC 606300
X 15	Book 350 Page 155	NMC 606301
X 16	Book 350 Page 156	NMC 606302
X 17	Book 350 Page 157	NMC 606303
X 18	Book 350 Page 158	NMC 606304
X 19	Book 350 Page 159	NMC 606305
X 20	Book 350 Page 160	NMC 606306
X 21	Book 350 Page 161	NMC 606307

Page 55 of Part I

BOOK 249 PAGE 079

SCHEDULE I TO SPECIAL WARRANTY DEED
CONVEYING INTEREST IN OVERRIDING ROYALTY

CLAIM NAME RECORDING INFORMATION SERIAL NO. BIM SERIAL NO.

X	22	Book 350	Page 162	NMC 606308
X	23	Book 350	Page 163	NMC 606309
X	24	Book 350	Page 164	NMC 606310
X	24A	Book 350	Page 165	NMC 606311
X	25	Book 350	Page 166	NMC 606312
X	26	Book 350	Page 167	NMC 606313
X	27	Book 350	Page 168	NMC 606314
X	28	Book 350	Page 169	NMC 606315
X	29	Book 350	Page 170	NMC 606316
X	30	Book 350	Page 171	NMC 606317
X	30A	Book 350	Page 172	NMC 606318
X	30B	Book 350	Page 173	NMC 606319
X	31	Book 350	Page 174	NMC 606320
X	32	Book 350	Page 175	NMC 606321
X	33	Book 350	Page 176	NMC 606322
X	34	Book 350	Page 177	NMC 606323
X	35	Book 350	Page 178	NMC 606324
X	36	Book 350	Page 179	NMC 606325
X	37	Book 350	Page 180	NMC 606326
X	38	Book 350	Page 181	NMC 606327
X	39	Book 350	Page 182	NMC 606328
X	39B	Book 350	Page 183	NMC 606329
X	40	Book 350	Page 184	NMC 606330
X	40B	Book 350	Page 185	NMC 606331
X	41	Book 350	Page 186	NMC 606332
X	42	Book 350	Page 187	NMC 606333
X	43	Book 350	Page 188	NMC 606334
X	44	Book 350	Page 189	NMC 606335
X	45	Book 350	Page 190	NMC 606336
X	46	Book 350	Page 191	NMC 606337
X	47	Book 350	Page 192	NMC 606338
X	48	Book 350	Page 193	NMC 606339
X	49	Book 350	Page 194	NMC 606340
X	50	Book 350	Page 195	NMC 606341
X	51	Book 350	Page 196	NMC 606342
X	52	Book 350	Page 197	NMC 606343
X	53	Book 350	Page 198	NMC 606344
X	54	Book 350	Page 199	NMC 606345
X	55	Book 350	Page 200	NMC 606346
X	56	Book 350	Page 201	NMC 606347
X	57A	Book 350	Page 202	NMC 606348
X	58A	Book 350	Page 203	NMC 606349
X	59	Book 350	Page 204	NMC 606350
X	60	Book 350	Page 205	NMC 606351
X	60B	Book 350	Page 206	NMC 606352
X	61	Book 350	Page 207	NMC 606353

Page 56 of Part I

BOOK 249 PAGE 080

SCHEDULE I TO SPECIAL WARRANTY DEED
CONVEYING INTEREST IN OVERRIDING ROYALTY

CLAIM NAME RECORDING INFORMATION SERIAL NO.

CLAIM NAME	RECORDING INFORMATION	SERIAL NO.
X 62	Book 350	NMC 606354
X 63	Book 350	NMC 606355
X 64	Book 350	NMC 606356
X 65	Book 350	NMC 606357
X 65A	Book 350	NMC 606358
X 66	Book 350	NMC 606360
X 66A	Book 350	NMC 606359
X 67	Book 350	NMC 606361
X 68	Book 350	NMC 606362
X 69	Book 350	NMC 606913
X 70	Book 350	NMC 606363
X 70A	Book 350	NMC 606364
X 71	Book 350	NMC 606365
X 72	Book 350	NMC 606366
X 73	Book 350	NMC 606367
X 74	Book 350	NMC 606368
X 74A	Book 350	NMC 606369
X 75	Book 350	NMC 606370
X 76	Book 350	NMC 606371
X 77	Book 350	NMC 606372
X 78	Book 350	NMC 606373
X 79	Book 350	NMC 606374
X 80	Book 350	NMC 606375
X 81	Book 350	NMC 606376
X 82	Book 350	NMC 606377
X 82A	Book 350	NMC 606378
X 83	Book 350	NMC 606379
X 84	Book 350	NMC 606380
X 85	Book 350	NMC 606381
X 86	Book 350	NMC 606382
X 101	Book 350	NMC 606383
X 102	Book 350	NMC 606384
X 103	Book 350	NMC 606385
X 104	Book 350	NMC 606386
X 105	Book 350	NMC 606387
Yellow Spider	Page 238	NMC 71689
Yellow Squirrel	Page 237	NMC 61354
Zelda	Page 236	NMC 71690

Page 57 of Part I

BOOK 249 PAGE 081

SCHEDULE I TO SPECIAL WARRANTY DEED
CONVEYING INTEREST IN OVERRIDING ROYALTY

II. Unpatented placer claims owned by the Cortez Joint Venture, Cortez Gold Mines, or Placer Dome U.S. Inc. within the defined Cortez Joint Venture Area of Interest.

CLAIM NAME	RECORDING INFORMATION	SERIAL NO.
------------	-----------------------	------------

Ambrose	NMC	71642
Blue Streak	NMC	76996
Cash In	NMC	76997
CY	NMC	561958
CY	NMC	561959
CY	NMC	561960
CY	NMC	561961
CY	NMC	561962
CY	NMC	561963
CY	NMC	561964
CY	NMC	561965
CY	NMC	561966
CY	NMC	561967
CY	NMC	561968
CY	NMC	561969
CY	NMC	561970
CY	NMC	561971
CY	NMC	561972
CY	NMC	561973
CY	NMC	561974
CY	NMC	561975
CY	NMC	561976
CY	NMC	561977
CY	NMC	561978
CY	NMC	561979
CY	NMC	561980
CY	NMC	561981
CY	NMC	561982
CY	NMC	561983
CY	NMC	561984
CY	NMC	561985
CY	NMC	561986
CY	NMC	561987
CY	NMC	561988
CY	NMC	561989
CY	NMC	561990
CY	NMC	561991
CY	NMC	561992
CY	NMC	561993
CY	NMC	561994
CY	NMC	561995
CY	NMC	561996

SCHEDULE I TO SPECIAL WARRANTY DEED
CONVEYING INTEREST IN OVERRIDING ROYALTY

CLAIM NAME	RECORDING INFORMATION	SERIAL NO.
------------	-----------------------	------------

CY 40		NMC 561997
CY 41		NMC 561998
CY 42		NMC 561999
CY 43		NMC 562000
Edward		NMC 71643
Eileen		NMC 71644
GERRY		NMC 71646
Golden gate	Book 337 Page 467	NMC 572559
Golden gate	Book 337 Page 468	NMC 572560
Golden gate	Book 337 Page 469	NMC 572561
Golden gate	Book 337 Page 470	NMC 572562
Golden gate	Book 337 Page 471	NMC 572563
Golden gate	Book 337 Page 472	NMC 572564
Golden gate	Book 337 Page 473	NMC 572565
Golden gate	Book 337 Page 474	NMC 572566
Golden gate	Book 337 Page 475	NMC 572567
Golden gate	Book 337 Page 476	NMC 572568
Golden gate	Book 337 Page 477	NMC 572569
Golden gate	Book 337 Page 478	NMC 572570
Golden gate	Book 337 Page 479	NMC 572571
Golden gate	Book 337 Page 480	NMC 572572
Golden gate	Book 337 Page 481	NMC 572573
Golden gate	Book 337 Page 482	NMC 572574
Golden gate	Book 337 Page 483	NMC 572575
Golden gate	Book 337 Page 484	NMC 572576
Golden gate	Book 337 Page 485	NMC 572577
Golden gate	Book 337 Page 486	NMC 572578
Golden gate	Book 337 Page 487	NMC 572579
Golden gate	Book 337 Page 488	NMC 572580
Golden gate	Book 337 Page 489	NMC 572581
Golden gate	Book 337 Page 490	NMC 572582
Leona		NMC 71645
Oro 1		NMC 66345
Oro 2		NMC 66346
Oro 3		NMC 66347
Oro 4		NMC 66348
Oro 5		NMC 66349
Oro 6		NMC 66350
Oro 7		NMC 66351
Oro 8		NMC 66352
Oro 9		NMC 66353
Oro 10		NMC 66354
Oro 11		NMC 66355
Oro 12		NMC 66356
Oro 13		NMC 66357
Oro 14		NMC 66358

BK 3966359

SCHEDULE I TO SPECIAL WARRANTY DEED
CONVEYING INTEREST IN OVERRIDING ROYALTY

CLAIM NAME	RECORDING INFORMATION	SERIAL NO.
------------	-----------------------	------------

Oro 15	NMC	66359
Oro 16	NMC	66360
Oro 17	NMC	66361
Oro 18	NMC	66362
Oro 19	NMC	66363
Pittsburgh	NMC	65593
Wheel of Fortune	NMC	76998

Book 20 Page 225

BOOK 249 PAGE 084

Page 3 of Part II

COPY

Mocking Bird No. 1	NMC 61357
Mocking Bird No. 2	NMC 61358
Mocking Bird No. 3	NMC 61359
Mocking Bird No. 4	NMC 61360
Mocking Bird No. 5	NMC 61361

CLAIM NAME RECORDING INFORMATION SERIAL NO.

Blue Eagle	NMC 87532
Blue Eagle	NMC 87533
Blue Eagle	NMC 87534
Blue Eagle	NMC 87535

(iii)

William Englebright (successor in interest to Louis Rossi and Antonio A. Rossi) unpatented lode claims subject to an Exploration, Mining and Development Agreement with option to purchase dated effective February 1, 1967 between William Englebright (successor in interest to Louis Rossi and Antonio A. Rossi) and Placer Dome U.S. Inc. (successor in interest to American Exploration & Mining Co.).

CLAIM NAME RECORDING INFORMATION SERIAL NO.

Black Lady	NMC 26684
------------	-----------

(ii)

4 unpatented lode claims subject to a Mining Lease dated November 30, 1982 between Elmer Schroeder or Elna Ruth Schroeder as joint tenants (collectively as Lessor) and Cortez Gold Mines, a joint venture (as Lessee).

CLAIM NAME RECORDING INFORMATION SERIAL NO.

One unpatented lode claim subject to a Mining Lease dated July 23, 1982 between Lucia Jones and Bruce J. Frazier (collectively as Lessor) and Placer Dome U.S. Inc. (as Lessee and as successor in interest to Placer Amex Inc.).	
---	--

(i)

III. Unpatented mining claims under lease to the Cortez Joint Venture, Cortez Gold Mines, or Placer Dome U.S. Inc. within the defined Cortez Joint Venture Area of Interest.

SCHEDULE I TO SPECIAL WARRANTY DEED CONVEYING INTEREST IN OVERRIDING ROYALTY

CLAIM NAME RECORDING INFORMATION SERIAL NO. BLM

Mocking Bird No.	6
Juniper No.	1
Juniper No.	2
Juniper No.	3
Juniper No.	4
Juniper No.	5
Juniper No.	6
Juniper No.	7
Juniper No.	8
Juniper No.	9
NMC	61362
NMC	61363
NMC	61364
NMC	61365
NMC	61366
NMC	61367
NMC	61368
NMC	61369
NMC	61370
NMC	61371

(iv)

109 unpatented lode claims subject to a mining lease with option to purchase dated December 1, 1992 between Alban Explorations, Inc. (Lessor) and Placer Dome U.S. Inc. (Lessee).

CLAIM NAME RECORDING INFORMATION SERIAL NO. BLM

HS #	1
HS #	2
HS #	3
HS #	4
HS #	5
HS #	6
HS #	7
HS #	8
HS #	9
HS #	10
HS #	11
HS #	12
HS #	13
HS #	14
HS #	15
HS #	16
HS #	17
HS #	18
HS #	19
HS #	20
HS #	21
HS #	22
HS #	23
HS #	24
HS #	25
HS #	26
HS #	27
HS #	28
HS #	29
NMC	652875
NMC	652876
NMC	652877
NMC	652878
NMC	652879
NMC	652880
NMC	652881
NMC	652882
NMC	652883
NMC	652884
NMC	652885
NMC	652886
NMC	652887
NMC	652888
NMC	652889
NMC	652890
NMC	652891
NMC	652892
NMC	652893
NMC	652894
NMC	652895
NMC	652896
NMC	652897
NMC	652898
NMC	652899
NMC	652900
NMC	652901
NMC	652902
NMC	652903

CLAIM NAME	RECORDING INFORMATION	SERIAL NO.
------------	-----------------------	------------

SH # 30	NMC	652904
SH # 31	NMC	652905
SH # 32	NMC	652906
SH # 33	NMC	652907
SH # 34	NMC	652908
SH # 35	NMC	652909
SH # 36	NMC	652910
SH # 37	NMC	652911
SH # 38	NMC	652912
SH # 39	NMC	652913
SH # 40	NMC	652914
SH # 41	NMC	652915
SH # 42	NMC	652916
SH # 43	NMC	652917
SH # 44	NMC	652918
SH # 45	NMC	652919
SH # 46	NMC	652920
SH # 47	NMC	652921
SH # 48	NMC	652922
SH # 49	NMC	652923
SH # 50	NMC	652924
SH # 51	NMC	652925
SH # 52	NMC	652926
SH # 53	NMC	652927
SH # 54	NMC	652928
SH # 55	NMC	652929
SH # 56	NMC	652930
SH # 57	NMC	652931
SH # 58	NMC	652932
SH # 59	NMC	652933
SH # 60	NMC	652934
SH # 61	NMC	652935
SH # 62	NMC	652936
SH # 63	NMC	652937
SH # 64	NMC	652938
SH # 65	NMC	652939
SH # 66	NMC	652940
SH # 67	NMC	652941
SH # 68	NMC	652942
SH # 69	NMC	652943
SH # 70	NMC	652944
SH # 71	NMC	652945
SH # 72	NMC	652946
SH # 73	NMC	652947
SH # 74	NMC	652948
SH # 75	NMC	652949
SH # 76	NMC	652950
SH # 77	NMC	652951
SH # 78	NMC	652952

NMC 115345
NMC 115346
NMC 115347
NMC 115348

Badger # 1 Ext
Badger # 2 Ext
Lead Silver # 1

CLAIM NAME	RECORDING INFORMATION	SERIAL NO.
------------	-----------------------	------------

10 unpatented lode claims subject to an option Agreement dated March 17, 1992 between George E. Schwinn, Loma Schwinn, and Mary Anna Itza (collectively as optionor) and Alban Explorations, Inc. (as optionee). This Agreement is subject to the Mining Lease with Option to Purchase dated December 1, 1992 between Alban Explorations, Inc. and Placer Dome U.S. Inc.

NMC 652953
NMC 652954
NMC 652955
NMC 652956
NMC 652957
NMC 652958
NMC 652959
NMC 652960
NMC 652961
NMC 652962
NMC 652963
NMC 652964
NMC 652965
NMC 652966
NMC 652967
NMC 652968
NMC 652969
NMC 652970
NMC 652971
NMC 652972
NMC 652973
NMC 652974
NMC 652975
NMC 652976
NMC 652977
NMC 652978
NMC 652979
NMC 652980
NMC 652981
NMC 652982
NMC 652983

HS # 79
HS # 80
HS # 81
HS # 82
HS # 83
HS # 84
HS # 85
HS # 86
HS # 87
HO # 101
HO # 102
HO # 103
HO # 104
HO # 105
HO # 106
HO # 107
HO # 108
HO # 109
HO # 110
HO # 111
HO # 112
HO # 113
HO # 114
HO # 115
HO # 116
HO # 117
HO # 118
HO # 119
HO # 120
HO # 121
HO # 122
HO # 123
HO # 124
HO # 125
HO # 126
HO # 127
HO # 128
HO # 129
HO # 130
HO # 131
HO # 132
HO # 133
HO # 134
HO # 135
HO # 136
HO # 137
HO # 138
HO # 139
HO # 140
HO # 141
HO # 142
HO # 143
HO # 144
HO # 145
HO # 146
HO # 147
HO # 148
HO # 149
HO # 150

CLAIM NAME	RECORDING INFORMATION	SERIAL NO.
------------	-----------------------	------------

CLAIM NAME	RECORDING INFORMATION	SERIAL NO.
Lead Silver # 2	NMC 115349	
Lead Silver # 3	NMC 115350	
Lead Silver # 4	NMC 115351	
Lead Silver # 5	NMC 115352	
Lead Silver # 6	NMC 115353	
Lead Silver # 7	NMC 115354	

(vi) Intrepid Resources, Inc. unpatented lode claims subject to a Mining Lease with option to purchase dated March 18, 1993 between Intrepid Resources, Inc. and Placer Dome U.S. Inc.

CLAIM NAME RECORDING INFORMATION SERIAL NO.

DK # 1	Book 370	Page 533	NMC 646798
DK # 2	Book 370	Page 534	NMC 646799
DK # 3	Book 370	Page 535	NMC 646800
DK # 4	Book 370	Page 536	NMC 646801
DK # 5	Book 370	Page 537	NMC 646802
DK # 6	Book 370	Page 538	NMC 646803
DK # 7	Book 370	Page 539	NMC 646804
DK # 8	Book 370	Page 540	NMC 646805
DK # 9	Book 370	Page 541	NMC 646806
DK # 10	Book 370	Page 542	NMC 646807
DK # 11	Book 370	Page 543	NMC 646808
DK # 12	Book 370	Page 544	NMC 646809
DK # 13	Book 370	Page 545	NMC 646810
DK # 14	Book 370	Page 546	NMC 646811
DK # 15	Book 370	Page 547	NMC 646812
DK # 16	Book 370	Page 548	NMC 646813
DK # 17	Book 370	Page 549	NMC 646814
DK # 18	Book 370	Page 550	NMC 646815
DK # 19	Book 370	Page 551	NMC 646816
DK # 20	Book 370	Page 552	NMC 646817
DK # 21	Book 370	Page 553	NMC 646818
DK # 22	Book 370	Page 554	NMC 646819
DK # 23	Book 370	Page 555	NMC 646820
DK # 24	Book 370	Page 556	NMC 646821
DK # 25	Book 370	Page 557	NMC 646822
DK # 26	Book 370	Page 558	NMC 646823
DK # 27	Book 370	Page 559	NMC 646824
DK # 28	Book 370	Page 560	NMC 646825
DK # 29	Book 370	Page 561	NMC 646826
DK # 30	Book 370	Page 562	NMC 646827
DK # 31	Book 370	Page 563	NMC 646828
DK # 32	Book 370	Page 564	NMC 646829
DK # 33	Book 370	Page 565	NMC 646830

CLAIM NAME RECORDING INFORMATION SERIAL NO. BLM

DK #36	Book 370	Page 566	NMC 646831
DK #37	Book 370	Page 567	NMC 646832
DK #38	Book 370	Page 568	NMC 646833
DK #39	Book 370	Page 569	NMC 646834
DK #40	Book 370	Page 570	NMC 646835
DK #41	Book 370	Page 571	NMC 646836
DK #42	Book 370	Page 572	NMC 646837

(vii)

131 unpatented lode claims subject to a Mining Lease with Option to Purchase dated February 15, 1993 between Ronald and Arlene Damele, husband and wife, Charles and Patricia Damele, husband and wife, Stephen and Pauline Damele, husband and wife, and Yvonne Hager (collectively as Lessor) and Placer Dome U.S. Inc. (as Lessee).

CLAIM NAME RECORDING INFORMATION SERIAL NO. BLM

Zeke	1	NMC 140112
Zeke	2	NMC 140113
Zeke	3	NMC 140114
Zeke	4	NMC 140115
Zeke	5	NMC 140116
Zeke	6	NMC 140117
Zeke	7	NMC 140118
Zeke	8	NMC 140119
Zeke	9	NMC 140120
Zeke	10	NMC 140121
Zeke	11	NMC 140122
Zeke	12	NMC 140123
Zeke	13	NMC 140124
Zeke	14	NMC 140125
Zeke	15	NMC 140126
Zeke	16	NMC 140127
Zeke	17	NMC 140128
Zeke	18	NMC 140129
Zeke	21	NMC 140130
Zeke	22	NMC 140131
Zeke	23	NMC 140132
Zeke	25	NMC 140133
Zeke	26	NMC 140134
Zeke	29	NMC 303126
Zeke	30	NMC 303127
Zeke	31	NMC 303128
Zeke	32	NMC 303129
Zeke	33	NMC 303130
Zeke	34	NMC 303131

CLAIM NAME	RECORDING INFORMATION	SERIAL NO.
------------	-----------------------	------------

Zeke	NMC	303132
Zeke	NMC	303133
Zeke	NMC	303134
Zeke	NMC	303135
Zeke	NMC	303136
Zeke	NMC	303137
Zeke	NMC	303138
Zeke	NMC	303139
Zeke	NMC	303140
Zeke	NMC	303141
Zeke	NMC	303142
Zeke	NMC	303143
Zeke	NMC	303144
Zeke	NMC	303145
Zeke	NMC	303146
Zeke	NMC	303147
Zeke	NMC	303148
Zeke	NMC	303149
Zeke	NMC	303150
Zeke	NMC	303151
Zeke	NMC	303152
Zeke	NMC	303153
Zeke	NMC	303154
Zeke	NMC	303155
Zeke	NMC	303156
Zeke	NMC	303157
Zeke	NMC	303158
Zeke	NMC	303159
Zeke	NMC	303160
Zeke	NMC	303161
Zeke	NMC	303162
Zeke	NMC	303163
Zeke	NMC	303164
Zeke	NMC	303165
Zeke	NMC	303166
Zeke	NMC	303167
Zeke	NMC	303168
Zeke	NMC	303169
Zeke	NMC	303170
Zeke	NMC	303171
Zeke	NMC	303172
Zeke	NMC	303173
Zeke	NMC	303174
Zeke	NMC	303175
Zeke	NMC	303177
Zeke	NMC	303178
Zeke	NMC	303179
Zeke	NMC	303180
Zeke	NMC	303181

CLAIM NAME	RECORDING INFORMATION	SERIAL NO.
------------	-----------------------	------------

Zeke 85	NMC 303182	
Zeke 86	NMC 303183	
Zeke 87	NMC 303184	
Zeke 88	NMC 303185	
Zeke 89	NMC 303186	
Zeke 90	NMC 303187	
Zeke 103	NMC 400781	
Zeke 104	NMC 400782	
Zeke 105	NMC 400783	
Zeke 106	NMC 400784	
Zeke 107	NMC 400785	
Zeke 108	NMC 400786	
Zeke 109	NMC 400787	
Zeke 110	NMC 400788	
Zeke 111	NMC 400789	
Zeke 112	NMC 400790	
Zeke 113	NMC 400791	
Zeke 114	NMC 400792	
Zeke 115	NMC 400793	
Zeke 116	NMC 400794	
Zeke 117	NMC 400795	
Zeke 118	NMC 400796	
Zeke 119	NMC 400797	
Zeke 120	NMC 400798	
Zeke 121	NMC 400799	
Zeke 122	NMC 400800	
Zeke 123	NMC 400801	
Zeke 124	NMC 400802	
Zeke 125	NMC 400803	
Zeke 126	NMC 400804	
Zeke 127	NMC 400805	
Zeke 128	NMC 400806	
Zeke 129	NMC 400807	
Zeke 130	NMC 400808	
Zeke 131	NMC 400809	
Zeke 132	NMC 400810	
Zeke 133	NMC 400811	
Zeke 134	NMC 400812	
Zeke 135	NMC 400813	
Zeke 136	NMC 400814	
Zeke 139	NMC 419628	
Zeke 140	NMC 419629	
Zeke 141	NMC 419630	
Zeke 142	NMC 419631	
Zeke 143	NMC 419632	
Zeke 144	NMC 419633	
Zeke 145	NMC 419634	
Zeke 146	NMC 419635	
Zeke 147	NMC 419636	

CLAIM NAME	RECORDING INFORMATION	SERIAL NO.
Zeke 148	BLM	NMC 419637
Zeke 15A		NMC 563812
Zeke 17A		NMC 563813
Zeke 18A		NMC 563814

(viii)

Nerco Exploration unpatented lode claims subject to a Mineral Lease with Option to Purchase dated April 1, 1991 between Nerco Exploration Company and Placer Dome U.S. Inc.

CLAIM NAME	RECORDING INFORMATION	SERIAL NO.
IC 1	BLM	NMC 349106
IC 2		NMC 349107
IC 3		NMC 349108
IC 4		NMC 349109
IC 5		NMC 349110
IC 6		NMC 349111
IC 7		NMC 349112
IC 8		NMC 349113
IC 9		NMC 349114
IC 10		NMC 372242
IC 11		NMC 372243
IC 12		NMC 372244
IC 13		NMC 372245
IC 14		NMC 272246
IC 15		NMC 272447
IC 16		NMC 272248
IC 17		NMC 272249
IC 18		NMC 272250
IC 19		NMC 272251
IC 21		NMC 372252
IC 22		NMC 372253
IC 23		NMC 381183
IC 24		NMC 381184
IC 25		NMC 381185
IC 26		NMC 381186
IC 27		NMC 381187
IC 28		NMC 381188
IC 29		NMC 381189
IC 30		NMC 381190
IC 31		NMC 372262
IC 32		NMC 372263
IC 33		NMC 272264

CLAIM NAME RECORDING INFORMATION SERIAL NO. BLM

IC	34	NMC	372265
IC	35	NMC	372266
IC	37	NMC	372267
IC	38	NMC	372268
IC	39	NMC	372269
IC	40	NMC	372270
IC	41	NMC	372271
IC	42	NMC	372272
IC	43	NMC	372273
IC	44	NMC	372274
IC	45	NMC	372275
IC	46	NMC	372276
IC	47	NMC	372277
IC	48	NMC	372278
IC	49	NMC	372279
IC	50	NMC	372280
IC	51	NMC	372281
IC	52	NMC	372282
IC	53	NMC	372283
IC	54	NMC	372284
IC	55	NMC	372285
IC	56	NMC	372286
IC	57	NMC	372287
IC	58	NMC	372288
IC	59	NMC	372289
IC	60	NMC	372290
IC	61	NMC	372291
IC	62	NMC	372292
IC	63	NMC	372293
IC	64	NMC	372294

(ix) GER, Inc. unpatented lode claims subject to a Mineral Lease with Option to Purchase dated August 1, 1986 between GER, Inc. and Nerco Exploration Company (successor in interest to Resource Associates of Alaska). This Mineral Lease with Option to Purchase is subject to the Mineral Lease with Option to Purchase between Nerco Exploration Company and Placer Dome U.S. Inc.

CLAIM NAME RECORDING INFORMATION SERIAL NO. BLM

PME	1	NMC	283211
PME	2	NMC	283212
PME	3	NMC	283213
PME	4	NMC	283214
PME	5	NMC	283215

CLAIM NAME	RECORDING INFORMATION	SERIAL NO.
GRM 445	Book 282 Page 466	NMC 397347
GRM 452	Book 282 Page 468	NMC 397348
GRM 453	Book 282 Page 470	NMC 397349
GRM 454	Book 282 Page 472	NMC 397350
GRM 455	Book 282 Page 474	NMC 397351
GRM 456	Book 282 Page 476	NMC 397352
GRM 457	Book 282 Page 478	NMC 397353
GRM 458	Book 282 Page 480	NMC 397354
GRM 459	Book 282 Page 482	NMC 397355
GRM 460	Book 282 Page 484	NMC 397356
GRM 461	Book 282 Page 486	NMC 397357
GRM 462	Book 282 Page 488	NMC 397358
GRM 463	Book 282 Page 490	NMC 397359
GRM 464	Book 282 Page 492	NMC 397360

CLAIM NAME RECORDING INFORMATION SERIAL NO.

(x)
 gold fields mining company unpatented lode mining claims subject to the prospecting permit and purchase option agreement dated August 13, 1991 between Gold Fields Mining Company and Placer Dome U.S. Inc.

CLAIM NAME	RECORDING INFORMATION	SERIAL NO.
PME 6		NMC 283216
PME 7		NMC 283217
PME 8		NMC 283218
PME 9		NMC 283219
PME 10		NMC 283220
PME 11		NMC 283221
PME 12		NMC 283222
PME 13		NMC 283223
PME 14		NMC 283224
PME 15		NMC 283225
PME 16		NMC 283226
PME 17		NMC 283227
PME 18		NMC 283228
PME 19		NMC 283229
PME 20		NMC 283230
PME 21		NMC 283231
PME 22		NMC 283232
PME 23		NMC 283233
PME 24		NMC 283234
PME 25		NMC 283235
PME 26		NMC 283236
PME 27		NMC 283237
PME 28		NMC 283238
PME 29		NMC 283239

CLAIM NAME RECORDING INFORMATION SERIAL NO.

BOOK 249 PAGE 096

Page 12 of Part III

CLAIM NAME	RECORDING INFORMATION	SERIAL NO.
GRM 465	Book 282 Page 494	NMC 397361
GRM 466	Book 282 Page 496	NMC 397362
GRM 467	Book 282 Page 498	NMC 397363
GRM 468	Book 282 Page 500	NMC 397364
GRM 469	Book 282 Page 502	NMC 397365
GRM 470	Book 282 Page 504	NMC 397366
GRM 471	Book 282 Page 506	NMC 397367
GRM 472	Book 282 Page 508	NMC 397368
GRM 473	Book 282 Page 510	NMC 397369
GRM 474	Book 282 Page 512	NMC 397370
GRM 475	Book 282 Page 514	NMC 397371
GRM 476	Book 282 Page 516	NMC 397372
GRM 477	Book 282 Page 518	NMC 397373
GRM 478	Book 282 Page 520	NMC 397374
GRM 479	Book 282 Page 567	NMC 397375
GRM 480	Book 282 Page 569	NMC 397376
GRM 481	Book 282 Page 571	NMC 397377
GRM 482	Book 282 Page 573	NMC 397378
GRM 483	Book 282 Page 575	NMC 397379
GRM 484	Book 282 Page 577	NMC 397380
GRM 485	Book 282 Page 579	NMC 397381
GRM 486	Book 282 Page 581	NMC 397382
GRM 487	Book 282 Page 583	NMC 397383
GRM 488	Book 282 Page 585	NMC 397384
GRM 489	Book 282 Page 587	NMC 397385
GRM 490	Book 282 Page 589	NMC 397386
GRM 491	Book 282 Page 591	NMC 397387
GRM 492	Book 282 Page 593	NMC 397388
GRM 493	Book 282 Page 595	NMC 397389
GRM 494	Book 282 Page 597	NMC 397390
GRM 495	Book 282 Page 599	NMC 397391
GRM 496	Book 282 Page 601	NMC 397392
GRM 497	Book 283 Page 68	NMC 397393
GRM 498	Book 283 Page 70	NMC 397394
GRM 499	Book 283 Page 72	NMC 397395
GRM 500	Book 283 Page 74	NMC 397396
GRM 501	Book 283 Page 76	NMC 397397
GRM 502	Book 283 Page 78	NMC 397398
GRM 503	Book 283 Page 80	NMC 397399
GRM 504	Book 283 Page 82	NMC 397400
GRM 505	Book 283 Page 84	NMC 397401
GRM 506	Book 283 Page 86	NMC 397402
GRM 507	Book 283 Page 88	NMC 397403
GRM 508	Book 283 Page 90	NMC 397404
GRM 509	Book 283 Page 92	NMC 397405
GRM 510	Book 283 Page 94	NMC 397406
GRM 511	Book 283 Page 96	NMC 397407
GRM 512	Book 283 Page 98	NMC 397408
GRM 513	Book 283 Page 100	NMC 397409

BK 396Pg 371

CLAIM NAME RECORDING INFORMATION SERIAL NO. BLM

GRM 599	Book 283	Page 165	NMC 397495
GRM 600	Book 283	Page 199	NMC 397496
GRM 601	Book 283	Page 167	NMC 397497
GRM 602	Book 283	Page 201	NMC 397498
GRM 603	Book 283	Page 169	NMC 397499
GRM 604	Book 283	Page 203	NMC 397500
GRM 605	Book 283	Page 171	NMC 397501
GRM 606	Book 283	Page 205	NMC 397502
GRM 607	Book 283	Page 173	NMC 397503
GRM 608	Book 283	Page 207	NMC 397504
GRM 627	Book 283	Page 209	NMC 397523
GRM 628	Book 283	Page 211	NMC 397524
GRM 629	Book 283	Page 213	NMC 397525
GRM 630	Book 283	Page 215	NMC 397526
GRM 631	Book 283	Page 217	NMC 397527
GRM 636	Book 283	Page 175	NMC 397528
GRM 637	Book 283	Page 177	NMC 397529
GRM 638	Book 283	Page 179	NMC 397530
GRM 639	Book 283	Page 181	NMC 397531
GRM 640	Book 283	Page 183	NMC 397532
GRM 641	Book 283	Page 185	NMC 397533
GRM 642	Book 283	Page 187	NMC 397534
GRM 643	Book 283	Page 219	NMC 397535
GRM 644	Book 283	Page 221	NMC 397536
GRM 645	Book 283	Page 223	NMC 397537
GRM 646	Book 283	Page 225	NMC 397538
GRM 647	Book 283	Page 227	NMC 397539
GRM 648	Book 283	Page 229	NMC 397540
GRM 649	Book 283	Page 231	NMC 397541
GRM 650	Book 283	Page 233	NMC 397542
GRM 651	Book 283	Page 235	NMC 397543
GRM 652	Book 283	Page 237	NMC 397544
GRM 653	Book 283	Page 239	NMC 397545
GRM 654	Book 283	Page 241	NMC 397546
GRM 655	Book 283	Page 243	NMC 397547
GRM 656	Book 283	Page 245	NMC 397548
GRM 657	Book 283	Page 247	NMC 397549
GRM 658	Book 283	Page 249	NMC 397550
GRM 659	Book 283	Page 251	NMC 397551
GRM 660	Book 283	Page 253	NMC 397552
GRM 661	Book 283	Page 255	NMC 397553
GRM 662	Book 283	Page 257	NMC 397554
GRM 663	Book 283	Page 259	NMC 397555
GRM 664	Book 283	Page 261	NMC 397556
GRM 665	Book 283	Page 263	NMC 397557
GRM 666	Book 283	Page 265	NMC 397558
GRM 667	Book 283	Page 318	NMC 397559
GRM 668	Book 283	Page 320	NMC 397560
GRM 669	Book 283	Page 322	NMC 397561

Page 14 of Part III

BOOK 249 PAGE 098

CLAIM NAME	RECORDING INFORMATION	SERIAL NO.
------------	-----------------------	------------

GRM 670	Book 283	Page 324
GRM 671	Book 283	Page 326
GRM 672	Book 283	Page 328
GRM 673	Book 283	Page 330
GRM 674	Book 283	Page 332
GRM 675	Book 283	Page 334
GRM 676	Book 283	Page 336
GRM 677	Book 283	Page 338
GRM 678	Book 283	Page 340
GRM 679	Book 283	Page 342
GRM 680	Book 283	Page 344
GRM 681	Book 283	Page 346
GRM 701	Book 283	Page 350
GRM 702	Book 283	Page 352
GRM 795	Book 283	Page 267
GRM 797	Book 283	Page 269
GRM 799	Book 283	Page 271
GRM 801	Book 283	Page 273
GRM 803	Book 283	Page 275
GRM 805	Book 283	Page 277
GRM 807	Book 283	Page 279
GRM 400	Book 284	Page 16
GRM 401	Book 284	Page 18
GRM 402	Book 284	Page 20
GRM 403	Book 284	Page 22
GRM 404	Book 284	Page 24
GRM 405	Book 284	Page 26
GRM 406	Book 284	Page 28
GRM 407	Book 284	Page 30
GRM 408	Book 284	Page 32
GRM 409	Book 284	Page 34
GRM 410	Book 284	Page 36
GRM 411	Book 284	Page 38
GRM 412	Book 284	Page 40
GRM 413	Book 284	Page 42
GRM 414	Book 284	Page 44
GRM 415	Book 284	Page 46
GRM 416	Book 284	Page 48
GRM 417	Book 284	Page 50
GRM 436	Book 284	Page 88
GRM 437	Book 284	Page 90
GRM 438	Book 284	Page 92
GRM 439	Book 284	Page 94
GRM 440	Book 284	Page 96
GRM 441	Book 284	Page 98
GRM 442	Book 284	Page 100
GRM 443	Book 284	Page 102
GRM 444	Book 284	Page 104
GRM 446	Book 284	Page 106

Page 15 of Part III

BOOK 249 PAGE 099

CLAIM NAME RECORDING SERIAL NO. BLM

GRM 447	Book 284	Page 108	NMC 398220
GRM 448	Book 284	Page 110	NMC 398221
GRM 449	Book 284	Page 112	NMC 398222
GRM 450	Book 284	Page 114	NMC 398223
GRM 451	Book 284	Page 116	NMC 398224
GRM 632	Book 284	Page 120	NMC 398225
GRM 683	Book 284	Page 189	NMC 398228
GRM 685	Book 284	Page 193	NMC 398230
GRM 687	Book 284	Page 197	NMC 398232
GRM 689	Book 284	Page 201	NMC 398234
GRM 733	Book 284	Page 353	NMC 398270
GRM 734	Book 284	Page 138	NMC 398271
GRM 767	Book 284	Page 164	NMC 398302
GRM 790	Book 284	Page 176	NMC 398317
GRM 791	Book 284	Page 178	NMC 398318
GRM 792	Book 284	Page 180	NMC 398319
GRM 793	Book 284	Page 182	NMC 398320
GRM 794	Book 284	Page 355	NMC 398321
GRM 796	Book 284	Page 357	NMC 398322
GRM 798	Book 284	Page 359	NMC 398323
GRM 800	Book 284	Page 361	NMC 398324
GRM 802	Book 284	Page 363	NMC 398325
GRM 804	Book 284	Page 365	NMC 398326
GRM 806	Book 284	Page 367	NMC 398327
GRM 808	Book 284	Page 369	NMC 398328
GRM 809	Book 284	Page 371	NMC 398329
GRM 810	Book 284	Page 373	NMC 398330
GRM 811	Book 284	Page 375	NMC 398331
GRM 812	Book 284	Page 377	NMC 398332
GRM 813	Book 284	Page 379	NMC 398333
GRM 814	Book 284	Page 381	NMC 398334
GRM 815	Book 284	Page 383	NMC 398335
GRM 816	Book 385	Page 385	NMC 398336
GRM 817	Book 284	Page 387	NMC 398337
GRM 818	Book 284	Page 389	NMC 398338
GRM 819	Book 284	Page 391	NMC 398339
GRM 820	Book 284	Page 393	NMC 398340
GRM 821	Book 284	Page 395	NMC 398341
GRM 822	Book 284	Page 397	NMC 398342
GRM 823	Book 284	Page 399	NMC 398343
GRM 824	Book 284	Page 401	NMC 398344
GRM 825	Book 284	Page 403	NMC 398345
GRM 826	Book 284	Page 405	NMC 398346
GRM 826A	Book 284	Page 407	NMC 398347
GRM 827	Book 284	Page 409	NMC 398348
FOO 1	Book 285	Page 202	NMC 401099
FOO 2	Book 285	Page 204	NMC 401100
FOO 3	Book 285	Page 206	NMC 401101
FOO 4	Book 285	Page 208	NMC 401102

CLAIM NAME RECORDING INFORMATION SERIAL NO. BLM

FOO	5	Book 285	Page 210	NMC	401103
FOO	6	Book 285	Page 212	NMC	401104
FOO	7	Book 285	Page 214	NMC	401105
FOO	8	Book 285	Page 216	NMC	401106
FOO	9	Book 285	Page 218	NMC	401107
FOO	10	Book 285	Page 220	NMC	401108
FOO	11	Book 285	Page 222	NMC	401109
FOO	12	Book 285	Page 224	NMC	401110
FOO	13	Book 285	Page 226	NMC	401111
FOO	14	Book 285	Page 228	NMC	401112
FOO	15	Book 285	Page 230	NMC	401113
FOO	16	Book 285	Page 232	NMC	401114
FOO	17	Book 285	Page 234	NMC	401115
FOO	18	Book 285	Page 236	NMC	401116
FOO	19	Book 285	Page 238	NMC	401117
FOO	20	Book 285	Page 240	NMC	401118
FOO	21	Book 285	Page 242	NMC	401119
FOO	22	Book 285	Page 244	NMC	401120
FOO	23	Book 285	Page 246	NMC	401121
FOO	24	Book 285	Page 248	NMC	401122
FOO	25	Book 285	Page 250	NMC	401123
AL	1	Book 297	Page 642	NMC	435532
AL	2	Book 297	Page 644	NMC	435533
AL	3	Book 297	Page 646	NMC	435534
AL	4	Book 297	Page 648	NMC	435535
AL	5	Book 297	Page 650	NMC	435536
AL	6	Book 297	Page 652	NMC	435537
AL	7	Book 297	Page 654	NMC	435538
AL	8	Book 297	Page 656	NMC	435539
AL	9	Book 297	Page 658	NMC	435540
AL	10	Book 297	Page 660	NMC	435541
AL	11	Book 297	Page 662	NMC	435542
AL	12	Book 297	Page 664	NMC	435543
AL	13	Book 297	Page 666	NMC	435544
AL	14	Book 297	Page 668	NMC	435545
AL	15	Book 297	Page 670	NMC	435546
AL	16	Book 297	Page 672	NMC	435547
AL	18	Book 297	Page 674	NMC	435548
AL	19	Book 297	Page 676	NMC	435549
AL	20	Book 297	Page 678	NMC	435550
AL	21	Book 297	Page 680	NMC	435551
DP	1	Book 303	Page 462	NMC	453146
ALC-1		Book 315	Page 168	NMC	491632
ALC-2		Book 315	Page 169A	NMC	491633
ALC-3		Book 315	Page 171	NMC	491634
ALC-4		Book 315	Page 172	NMC	491635
ALC-5		Book 315	Page 174	NMC	491636
ALC-6		Book 315	Page 176	NMC	491637
ALC-7		Book 315	Page 178	NMC	491638

Page 17 of Part III

BOOK 249 PAGE 101

CLAIM NAME	RECORDING INFORMATION	SERIAL NO.
	BLM	

ALC-8 Book 315 Page 180 NMC 491639

(xi)

ECM Inc. unpatented lode claims subject to Mining Lease dated April 15, 1991 between ECM, Inc. and Placer Dome U.S. Inc.

CLAIM NAME	RECORDING INFORMATION	SERIAL NO.
	BLM	

- Gas # 26
- Gas # 27
- Gas # 28
- Gas # 29
- Gas # 30
- Gas # 42
- Gas # 43
- Gas # 44
- Gas # 56
- Gas # 57
- Gas # 58
- Gas # 70
- Gas # 82
- Gas # 83
- Gas # 84
- Gas # 85
- Gas # 86
- Gas # 87
- Gas # 88
- Gas # 89
- Gas # 90
- Gas # 91
- Gas # 92
- Gas # 93
- Gas # 94
- Gas # 95
- Gas # 96
- Gas # 97
- Gas # 98
- Gas # 99
- Gas # 100
- Gas # 101
- Gas # 102
- Gas # 103
- Gas # 104
- Gas # 105
- Gas # 106
- Gas # 107
- Gas # 108

- NMC 403033
- NMC 403034
- NMC 403035
- NMC 403036
- NMC 403037
- NMC 403049
- NMC 403050
- NMC 403051
- NMC 403063
- NMC 403064
- NMC 403065
- NMC 403077
- NMC 403089
- NMC 403090
- NMC 403091
- NMC 403092
- NMC 403093
- NMC 403094
- NMC 403095
- NMC 403096
- NMC 403097
- NMC 403098
- NMC 403099
- NMC 403100
- NMC 403101
- NMC 403102
- NMC 403103
- NMC 403104
- NMC 403105
- NMC 403106
- NMC 403107
- NMC 403108
- NMC 410529
- NMC 410530
- NMC 410531
- NMC 410532
- NMC 410533
- NMC 410534
- NMC 410535

CLAIM NAME	RECORDING INFORMATION	SERIAL NO.
------------	-----------------------	------------

Gas #109	NMC 410536	
Gas #110	NMC 410537	
Gas #111	NMC 410538	
Gas #112	NMC 410539	
Gas #114	NMC 410541	
Gas #115	NMC 410542	
Gas #116	NMC 410543	
Gas #117	NMC 410544	
Gas #118	NMC 410545	
Gas #119	NMC 410546	
Gas #120	NMC 410547	
Gas #121	NMC 410548	
Gas #122	NMC 410549	
Gas #123	NMC 410550	
Gas #124	NMC 410551	
Gas #125	NMC 410552	
Gas #126	NMC 410553	
Gas #127	NMC 410554	
Gas #128	NMC 410555	
Gas #129	NMC 410556	
Gas #130	NMC 410557	
Gas #131	NMC 429207	
Gas #132	NMC 429208	
Gas #133	NMC 429209	
Gas #134	NMC 429210	
Gas #135	NMC 429211	
Gas #136	NMC 429212	
Gas #137	NMC 429213	
Gas #138	NMC 429214	
Gas #139	NMC 429215	
Gas #140	NMC 429216	
Gas #141	NMC 429217	
Gas #142	NMC 429218	
Gas #143	NMC 429219	
Gas #144	NMC 429220	
Gas #145	NMC 429221	
Gas #146	NMC 429222	
Gas #147	NMC 429223	
Gas #148	NMC 429224	
Gas #149	NMC 429225	
Gas #150	NMC 429226	
Gas #151	NMC 429227	
Gas #152	NMC 429228	
Gas #153	NMC 429229	
Gas #154	NMC 429230	
Gas #155	NMC 429231	
Gas #156	NMC 429232	
Gas #157	NMC 429233	
Gas #158	NMC 429234	

CLAIM NAME	RECORDING INFORMATION	SERIAL NO.
------------	-----------------------	------------

Gas #159	NMC	429235
Gas #160	NMC	429236
Gas #161	NMC	429237
Gas #162	NMC	429238
Gas #163	NMC	429239
Gas #164	NMC	429240
Gas #165	NMC	429241
Gas #166	NMC	429242
Gas #167	NMC	429243
Gas #168	NMC	429244
Gas #169	NMC	429245
Gas #170	NMC	429246
Gas #171	NMC	429247
Gas #172	NMC	429248
Gas #173	NMC	429249
Gas #174	NMC	429250
Gas #175	NMC	429251
Gas #176	NMC	429252
Gas #177	NMC	429253
Gas #178	NMC	429254
Gas #179	NMC	429255
Gas #180	NMC	429256
Gas #181	NMC	429257
Gas #182	NMC	429258
Gas #183	NMC	429259
Gas #184	NMC	429260
Gas #185	NMC	429261
Gas #186	NMC	429262
Gas #187	NMC	429263
Gas #188	NMC	429264
Gas #189	NMC	429265
Gas #190	NMC	429266
Gas #191	NMC	429267
Gas #192	NMC	429268
Gas #193	NMC	429269
Gas #194	NMC	429270
Gas #195	NMC	429271
Gas #196	NMC	429272
Gas #197	NMC	429273
Gas #198	NMC	429274
Gas #199	NMC	429275
Gas #200	NMC	429276
Gas #201	NMC	429277
Gas #202	NMC	429278
Gas #203	NMC	429279
Gas #204	NMC	429280
Gas #205	NMC	429281
Gas #206	NMC	429282
Gas #207	NMC	429283

CLAIM NAME	RECORDING INFORMATION	SERIAL NO.
------------	-----------------------	------------

Gas #208	NMC	429284
Gas #209	NMC	429285
Gas #210	NMC	429286
Gas #211	NMC	429287
Gas #212	NMC	471254
Gas #213	NMC	471255
Gas #214	NMC	471256
Gas #215	NMC	471257
Gas #216	NMC	471258
Gas #217	NMC	471259
Gas #218	NMC	471260
Gas #219	NMC	471261
Gas #220	NMC	471262
Gas #221	NMC	471263
Gas #222	NMC	471264
Gas #223	NMC	471265
Gas #224	NMC	471266
Gas #225	NMC	471267
Gas #226	NMC	471268
Gas #227	NMC	471269
Gas #228	NMC	471270
Gas #229	NMC	471271
Gas #230	NMC	471272
Gas #231	NMC	471273
Gas #232	NMC	471274
Gas #233	NMC	471275
Gas #234	NMC	471276
Gas #235	NMC	471277
Gas #236	NMC	471278
Gas #237	NMC	471279
Gas #238	NMC	471280
Gas #239	NMC	471281
Gas #240	NMC	471282
Gas #241	NMC	471283
Gas #242	NMC	471284
Gas #243	NMC	471285
Gas #244	NMC	471286
Gas #245	NMC	471287
Gas #246	NMC	471288
Gas #247	NMC	471289
Gas #248	NMC	471290
Gas #249	NMC	471291
Gas #250	NMC	471292
Gas #251	NMC	471293
Gas #254	NMC	471294
Gas #255	NMC	471295
Gas #256	NMC	471296
Gas #257	NMC	471297
Gas #258	NMC	471298

BIM SERIAL NO.

RECORDING INFORMATION

CLAIM NAME

NMC 471299
 NMC 471300
 NMC 471301
 NMC 471302
 NMC 471303
 NMC 471304
 NMC 471305
 NMC 471306
 NMC 471307
 NMC 471308
 NMC 471309
 NMC 471310
 NMC 471311
 NMC 471312
 NMC 471313
 NMC 471314
 NMC 471315
 NMC 471316
 NMC 471317
 NMC 471318
 NMC 471319
 NMC 471320
 NMC 471321
 NMC 471322
 NMC 471323
 NMC 471324
 NMC 471325
 NMC 471326
 NMC 471327
 NMC 471328
 NMC 471329
 NMC 471330
 NMC 471331
 NMC 471332
 NMC 471333
 NMC 471334
 NMC 471335
 NMC 471336
 NMC 471337
 NMC 471338
 NMC 471339
 NMC 471340
 NMC 471341
 NMC 471342
 NMC 471343
 NMC 471344
 NMC 471345
 NMC 471346
 NMC 471347

Gas #259
 Gas #260
 Gas #261
 Gas #262
 Gas #263
 Gas #264
 Gas #265
 Gas #266
 Gas #267
 Gas #268
 Gas #269
 Gas #270
 Gas #271
 Gas #272
 Gas #273
 Gas #274
 Gas #275
 Gas #276
 Gas #277
 Gas #278
 Gas #279
 Gas #280
 Gas #281
 Gas #282
 Gas #283
 Gas #284
 Gas #285
 Gas #286
 Gas #287
 Gas #288
 Gas #289
 Gas #290
 Gas #291
 Gas #292
 Gas #293
 Gas #294
 Gas #295
 Gas #296
 Gas #297
 Gas #298
 Gas #299
 Gas #300
 Gas #301
 Gas #302
 Gas #303
 Gas #304
 Gas #305
 Gas #306
 Gas #307

CLAIM NAME	RECORDING INFORMATION	SERIAL NO.
------------	-----------------------	------------

Gas #308
Gas #309
Gas #310
Gas #311
Gas #312
Gas #313
Gas #314
Gas #315
Gas #316
Gas #317
Gas #318
Gas #319
Gas #320
Gas #321

NMC 471348	Page	390	Book
NMC 471349	Page	390	Book
NMC 471350	Page	390	Book
NMC 471351	Page	390	Book
NMC 471352	Page	390	Book
NMC 471353	Page	390	Book
NMC 471354	Page	390	Book
NMC 471355	Page	390	Book
NMC 471356	Page	390	Book
NMC 471357	Page	390	Book
NMC 471358	Page	390	Book
NMC 471359	Page	390	Book
NMC 471360	Page	390	Book
NMC 471361	Page	390	Book
NMC 671308	Page	390	Book
NMC 671309	Page	390	Book
NMC 671310	Page	390	Book
NMC 671311	Page	390	Book
NMC 671312	Page	390	Book
NMC 671313	Page	390	Book
NMC 671314	Page	390	Book
NMC 671315	Page	390	Book
NMC 671316	Page	390	Book
NMC 671317	Page	390	Book
NMC 671318	Page	390	Book
NMC 671319	Page	390	Book
NMC 671320	Page	390	Book
NMC 671321	Page	390	Book
NMC 671322	Page	390	Book
NMC 671323	Page	390	Book
NMC 671324	Page	390	Book
NMC 671325	Page	390	Book
NMC 671326	Page	390	Book
NMC 671327	Page	390	Book
NMC 671328	Page	390	Book
NMC 671329	Page	390	Book
NMC 671330	Page	390	Book
NMC 671331	Page	390	Book
NMC 671332	Page	390	Book
NMC 671333	Page	390	Book
NMC 671334	Page	390	Book
NMC 671335	Page	390	Book
NMC 671336	Page	390	Book
NMC 671337	Page	390	Book
NMC 671338	Page	390	Book
NMC 671339	Page	390	Book
NMC 671340	Page	390	Book
NMC 671341	Page	390	Book
NMC 671342	Page	390	Book

Page 23 of Part III

BOOK 249 PAGE 107

CLAIM NAME	RECORDING INFORMATION	SERIAL NO.
Gas R55	Book 390 Page 60	NMC 671343
Gas R59	Book 390 Page 61	NMC 671344
Gas R60	Book 390 Page 62	NMC 671345
Gas R61	Book 390 Page 63	NMC 671346
Gas R62	Book 390 Page 64	NMC 671347
Gas R63	Book 390 Page 65	NMC 671348
Gas R64	Book 390 Page 66	NMC 671349
Gas R65	Book 390 Page 67	NMC 671350
Gas R66	Book 390 Page 68	NMC 671351
Gas R67	Book 390 Page 69	NMC 671352
Gas R68	Book 390 Page 70	NMC 671353
Gas R69	Book 390 Page 71	NMC 671354
Gas R71	Book 390 Page 72	NMC 671355
Gas R72	Book 390 Page 73	NMC 671356
Gas R73	Book 390 Page 74	NMC 671357
Gas R74	Book 390 Page 75	NMC 671358
Gas R75	Book 390 Page 76	NMC 671359
Gas R76	Book 390 Page 77	NMC 671360
Gas R77	Book 390 Page 78	NMC 671361
Gas R78	Book 390 Page 79	NMC 671362
Gas R79	Book 390 Page 80	NMC 671363
Gas R80	Book 390 Page 81	NMC 671364
Gas R81	Book 390 Page 82	NMC 671365
Gas R113	Book 390 Page 83	NMC 671366
Gas 25A	Book 390 Page 84	NMC 671367
Gas 41A	Book 390 Page 85	NMC 671368
Gas 55A	Book 390 Page 86	NMC 671369
Gas 69A	Book 390 Page 87	NMC 671370
Gas 72A	Book 390 Page 88	NMC 671371
Gas 74A	Book 390 Page 89	NMC 671372
Gas 77A	Book 390 Page 90	NMC 671373
Gas 79A	Book 390 Page 91	NMC 671374
Gas 81A	Book 390 Page 92	NMC 671375
Gas 113A	Book 390 Page 93	NMC 671376

Page 24 of Part III

BOOK 249 PAGE | 08

SCHEDULE I TO SPECIAL WARRANTY DEED
CONVEYING INTEREST IN OVERRIDING ROYALTY

IV. Unpatented millsite claims owned by the Cortez Joint
Venture, Cortez Gold Mines or Placer Dome U.S. Inc.

CLAIM NAME	RECORDING INFORMATION	SERIAL NO.
------------	-----------------------	------------

GAM	NMC	66600
GAM	NMC	66601
GAM	NMC	66602
GAM	NMC	66603
GAM	NMC	66606
GAM	NMC	66607
GAM	NMC	66608
GAM	NMC	66609
GAM	NMC	66612
GAM	NMC	66613
GAM	NMC	66614
GAM	NMC	66615
GAM	NMC	66618
GAM	NMC	66619
GAM	NMC	66620
GAM	NMC	66621
GAM	NMC	66624
GAM	NMC	66625
GAM	NMC	66626
GAM	NMC	66627
GAM	NMC	66630
GAM	NMC	66631
GAM	NMC	66632
GAM	NMC	66633
GAM	NMC	66636
GAM	NMC	66637
GAM	NMC	66638
GAM	NMC	66639
GAM	NMC	66642
GAM	NMC	66643
GAM	NMC	66644
GAM	NMC	66645
GAM	NMC	66646
GAM	NMC	66648
GAM	NMC	66649
GAM	NMC	66650
GAM	NMC	66651
GAM	NMC	66652
GAM	NMC	66654
GAM	NMC	66655
GAM	NMC	66656
GAM	NMC	66657
GAM	NMC	66658

SCHEDULE I TO SPECIAL WARRANTY DEED
CONVEYING INTEREST IN OVERRIDING ROYALTY

CLAIM NAME	RECORDING INFORMATION	SERIAL NO.
------------	-----------------------	------------

GAM	NMC	6659
GAM	NMC	6660
GAM	NMC	6661
GAM	NMC	6662
GAM	NMC	6663
GAM	NMC	6664
GAM	NMC	6665
GAM	NMC	6666
GAM	NMC	6667
GAM	NMC	6668
GAM	NMC	6673
GAM	NMC	6674
GAM	NMC	6675
GAM	NMC	6680
GAM	NMC	6681
GAM	NMC	6682
M	NMC	6529
M	NMC	6530
M	NMC	6531
M	NMC	6534
M	NMC	6535
M	NMC	6536
M	NMC	6537
M	NMC	6538
M	NMC	6539
M	NMC	6543
M	NMC	6544
M	NMC	6545
M	NMC	6546
M	NMC	6547
M	NMC	6548
M	NMC	6549
M	NMC	6550
M	NMC	6551
M	NMC	6552
M	NMC	6553
M	NMC	6554
M	NMC	6555
M	NMC	6556
M	NMC	6557
M	NMC	6558
M	NMC	6559
M	NMC	6560
M	NMC	6562
M	NMC	6563
M	NMC	6569
M	NMC	6573
M	NMC	6574
M	NMC	6575
M	NMC	6580
M	NMC	6581
M	NMC	6582
M	NMC	6583
M	NMC	6584
M	NMC	6585
M	NMC	6586
M	NMC	6587
M	NMC	6588
M	NMC	6589
M	NMC	6590
M	NMC	6591
M	NMC	6592
M	NMC	6593
M	NMC	6594
M	NMC	6595
M	NMC	6596
M	NMC	6597
M	NMC	6598
M	NMC	6599

SCHEDULE I TO SPECIAL WARRANTY DEED
CONVEYING INTEREST IN OVERRIDING ROYALTY

CLAIM NAME RECORDING INFORMATION SERIAL NO. BLM

42	M	65370	NMC
43	M	65371	NMC
44	M	65372	NMC
45	M	65373	NMC
46	M	65374	NMC
47	M	65375	NMC
48	M	65376	NMC
49	M	65377	NMC
50	M	65378	NMC
51	M	65379	NMC
52	M	65380	NMC
53	M	65381	NMC
54	M	65382	NMC
63	M	65391	NMC
64	M	65392	NMC
65	M	65393	NMC
66	M	65394	NMC
67	M	65395	NMC
68	M	65396	NMC
69	M	65397	NMC
82	M	65410	NMC
83	M	65411	NMC
84	M	65412	NMC
85	M	65413	NMC
86	M	65414	NMC
100	M	65428	NMC
101	M	65429	NMC
102	M	65430	NMC
103	M	65431	NMC
118	M	65446	NMC
119	M	65447	NMC
120	M	65448	NMC
121	M	65449	NMC
122	M	65450	NMC
123	M	65451	NMC
124	M	65452	NMC
125	M	65453	NMC
126	M	65454	NMC
127	M	65455	NMC
128	M	65456	NMC
129	M	65457	NMC
130	M	65458	NMC
131	M	65459	NMC
132	M	65460	NMC
133	M	65461	NMC
134	M	65462	NMC

Page 3 of Part IV

BOOK 249 PAGE 111

SCHEDULE I TO SPECIAL WARRANTY DEED
CONVEYING INTEREST IN OVERRIDING ROYALTY

CLAIM NAME	RECORDING INFORMATION	BLM SERIAL NO.
------------	-----------------------	----------------

M	135	NMC	65463
M	136	NMC	65464
M	141	NMC	65469
M	142	NMC	65470
M	143	NMC	65471
M	144	NMC	65472
M	149	NMC	65477
M	150	NMC	65478
M	151	NMC	65479
M	152	NMC	65480
M	157	NMC	65485
M	158	NMC	65486
M	159	NMC	65487
M	160	NMC	65488
M	162	NMC	65490
M	163	NMC	65491
M	164	NMC	65492
M	165	NMC	65493
M	166	NMC	65494
M	167	NMC	65495
M	168	NMC	65496
M	169	NMC	65497
M	170	NMC	65498
M	171	NMC	65499
M	172	NMC	65500
M	173	NMC	65501
M	174	NMC	65502
M	175	NMC	65503
M	176	NMC	65504
M	186	NMC	65514
M	187	NMC	65515
M	188	NMC	65516
M	189	NMC	65517
M	190	NMC	65518
M	191	NMC	65519
M	192	NMC	65520
M	193	NMC	65521
M	194	NMC	65522
M	195	NMC	65523
M	196	NMC	65524
M	197	NMC	65525
M	198	NMC	65526
M	200	NMC	65528
M	211	NMC	65539
M	212	NMC	65540
M	213	NMC	65541

Page 4 of Part IV

BOOK 249 PAGE 112

SCHEDULE I TO SPECIAL WARRANTY DEED
CONVEYING INTEREST IN OVERRIDING ROYALTY

CLAIM NAME RECORDING INFORMATION SERIAL NO. BLM

214	M	65542	NMC
215	M	65543	NMC
216	M	65544	NMC
217	M	65545	NMC
218	M	65546	NMC
219	M	65547	NMC
224	M	65552	NMC
225	M	65553	NMC
226	M	65554	NMC
227	M	65555	NMC
228	M	65556	NMC
229	M	65557	NMC
230	M	65558	NMC
231	M	65559	NMC
232	M	65560	NMC
233	M	65561	NMC
234	M	65562	NMC
235	M	65563	NMC
236	M	65564	NMC
237	M	65565	NMC
238	M	65566	NMC
239	M	65567	NMC
240	M	65568	NMC
241	M	65569	NMC
242	M	65570	NMC
243	M	65571	NMC
244	M	65572	NMC
245	M	65573	NMC
246	M	65574	NMC
247	M	65575	NMC
248	M	65576	NMC
249	M	65577	NMC
250	M	65578	NMC
251	M	65579	NMC
252	M	65580	NMC
253	M	65581	NMC
254	M	65582	NMC
255	M	65583	NMC
256	M	65584	NMC
257	M	65585	NMC
258	M	65586	NMC
259	M	65587	NMC
260	M	65588	NMC
261	M	65589	NMC
262	M	65590	NMC
263	M	65591	NMC

Page 5 of Part IV

BOOK 249 PAGE 113

SCHEDULE I TO SPECIAL WARRANTY DEED
CONVEYING INTEREST IN OVERRIDING ROYALTY

CLAIM NAME	RECORDING INFORMATION	SERIAL NO.
------------	-----------------------	------------

M	264	NMC 65592
M	265	NMC 146125
M	266	NMC 146126
M	267	NMC 146127
M	268	NMC 146128
M	269	NMC 146129
M	270	NMC 146130
M	271	NMC 146131
M	272	NMC 146132
M	273	NMC 146133
M	274	NMC 146134
M	275	NMC 146135
M	276	NMC 146136
M	277	NMC 146137
M	278	NMC 146138
M	279	NMC 146139
M	280	NMC 146140
M	281	NMC 146141
M	282	NMC 146142
M	283	NMC 146143
M	284	NMC 146144
M	285	NMC 146145
M	286	NMC 146146
M	287	NMC 146147
M	288	NMC 146148
M	289	NMC 146149
M	290	NMC 146150
M	291	NMC 146151
M	292	NMC 146152
M	293	NMC 146153
M	298	NMC 146158
M	299	NMC 146159
M	300	NMC 146160
M	301	NMC 146161
M	302	NMC 146162
M	303	NMC 146163
M	304	NMC 146164
M	305	NMC 146165
M	306	NMC 146166
M	307	NMC 146167
M	308	NMC 146168
M	309	NMC 146169
M	309A	NMC 146170
M	310	NMC 146171
M	311	NMC 146172
M	312	NMC 146173

SCHEDULE I TO SPECIAL WARRANTY DEED
CONVEYING INTEREST IN OVERRIDING ROYALTY

CLAIM NAME RECORDING INFORMATION SERIAL NO. BLM

M	313	NMC	146174
M	314	NMC	146175
M	315	NMC	146176
M	316	NMC	146177
M	317	NMC	146178
M	318	NMC	146179
M	328	NMC	146189
M	329	NMC	146190
M	330	NMC	146191
M	331	NMC	146192
M	332	NMC	146193
M	333	NMC	146194
M	334	NMC	146195
M	335	NMC	146196
M	336	NMC	146197
M	337	NMC	146198
M	338	NMC	146199
M	339	NMC	146200
M	340	NMC	146201
M	341	NMC	146202
M	342	NMC	146203
M	343	NMC	146204
M	344	NMC	146205
M	345	NMC	146206
M	346	NMC	146207
M	347	NMC	146208
M	348	NMC	146209
M	349	NMC	146210
M	350	NMC	146211
M	351	NMC	146212
M	352	NMC	146213
M	353	NMC	146214
M	354	NMC	146215
M	355	NMC	146216
M	356	NMC	146217
M	357	NMC	146218
M	358	NMC	146219
M	359	NMC	146220
M	360	NMC	146221
M	361	NMC	146222
M	362	NMC	146223
M	363	NMC	146224
M	364	NMC	146225
M	365	NMC	146226
M	366	NMC	146227
M	367	NMC	146228

SCHEDULE I TO SPECIAL WARRANTY DEED
CONVEYING INTEREST IN OVERRIDING ROYALTY

CLAIM NAME	RECORDING INFORMATION	SERIAL NO.
------------	-----------------------	------------

M	NMC	146229
M	NMC	146230
M	NMC	146231
M	NMC	146232
M	NMC	146233
M	NMC	146234
M	NMC	146235
M	NMC	146236
M	NMC	146237
M	NMC	146238
M	NMC	146239
M	NMC	146240
M	NMC	146241
M	NMC	146242
M	NMC	146243
M	NMC	146244
M	NMC	146245
M	NMC	146246
M	NMC	146247
M	NMC	146248
M	NMC	146249
M	NMC	146250
M	NMC	146251
M	NMC	146252
M	NMC	146253
M	NMC	146254
M	NMC	146255
M	NMC	146256
M	NMC	146257
M	NMC	146268
M	NMC	146269
M	NMC	146270
M	NMC	146271
M	NMC	146272
M	NMC	146273
M	NMC	146274

SCHEDULE I TO SPECIAL WARRANTY DEED
CONVEYING INTEREST IN OVERRIDING ROYALTY

CLAIM NAME RECORDING INFORMATION SERIAL NO. BLM

M	414	NMC	146275
M	415	NMC	146276
M	416	NMC	146277
M	417	NMC	146278
M	418	NMC	146279
M	419	NMC	146280
M	420	NMC	146281
M	421	NMC	146282
M	432	NMC	303584
M	433	NMC	303585
M	434	NMC	303586
M	435	NMC	303587
M	436	NMC	303588
M	437	NMC	303589
M	438	NMC	303590
M	439	NMC	303591
M	440	NMC	303592
M	441	NMC	303593
M	442	NMC	303594
M	443	NMC	303595
M	444	NMC	303596
M	445	NMC	303597
M	446	NMC	303598
M	447	NMC	303599
M	448	NMC	303600
M	456	NMC	303608
M	457	NMC	303609
M	458	NMC	303610
M	459	NMC	303611
M	460	NMC	303612
M	461	NMC	303613
M	462	NMC	303614
M	463	NMC	303615
M	464	NMC	303616
M	465	NMC	303617
M	466	NMC	303618
M	467	NMC	303619
M	468	NMC	303620
M	469	NMC	303621
M	470	NMC	303622
M	471	NMC	303623
M	472	NMC	303624
M	473	NMC	303625
M	474	NMC	303626
M	475	NMC	303627
M	476	NMC	303628

SCHEDULE I TO SPECIAL WARRANTY DEED
CONVEYING INTEREST IN OVERRIDING ROYALTY

CLAIM NAME	RECORDING INFORMATION	SERIAL NO.
------------	-----------------------	------------

M 477	NMC 303629	NMC 316623
M 478	NMC 303630	NMC 316622
M 479	NMC 303631	NMC 316621
M 480	NMC 303632	NMC 316620
M 481	NMC 303633	NMC 316619
M 482	NMC 303634	NMC 316618
M 483	NMC 303635	NMC 316617
M 484	NMC 303636	NMC 316616
M 485	NMC 303637	NMC 316615
M 486	NMC 303638	NMC 316614
M 487	NMC 303639	NMC 316613
M 488	NMC 303640	NMC 316612
M 489	NMC 303641	NMC 316611
M 490	NMC 303642	NMC 303661
M 491	NMC 303643	NMC 303660
M 492	NMC 303644	NMC 303659
M 493	NMC 303645	NMC 303658
M 494	NMC 303646	NMC 303657
M 495	NMC 303647	NMC 303656
M 496	NMC 303648	NMC 303655
M 497	NMC 303649	NMC 303654
M 498	NMC 303650	NMC 303653
M 499	NMC 303651	NMC 303652
M 500	NMC 303652	NMC 303651
M 501	NMC 303653	NMC 303650
M 502	NMC 303654	NMC 303649
M 503	NMC 303655	NMC 303648
M 504	NMC 303656	NMC 303647
M 505	NMC 303657	NMC 303646
M 506	NMC 303658	NMC 303645
M 507	NMC 303659	NMC 303644
M 508	NMC 303660	NMC 303643
M 9999	NMC 303661	NMC 303642
M 1001	NMC 316611	NMC 303641
M 1002	NMC 316612	NMC 303640
M 1003	NMC 316613	NMC 303639
M 1004	NMC 316614	NMC 303638
M 1005	NMC 316615	NMC 303637
M 1006	NMC 316616	NMC 303636
M 1007	NMC 316617	NMC 303635
M 1008	NMC 316618	NMC 303634
M 1009	NMC 316619	NMC 303633
M 1010	NMC 316620	NMC 303632
M 1011	NMC 316621	NMC 303631
M 1012	NMC 316622	NMC 303630
M 1013	NMC 316623	NMC 303629

BK 3966394

SCHEDULE I TO SPECIAL WARRANTY DEED
CONVEYING INTEREST IN OVERRIDING ROYALTY

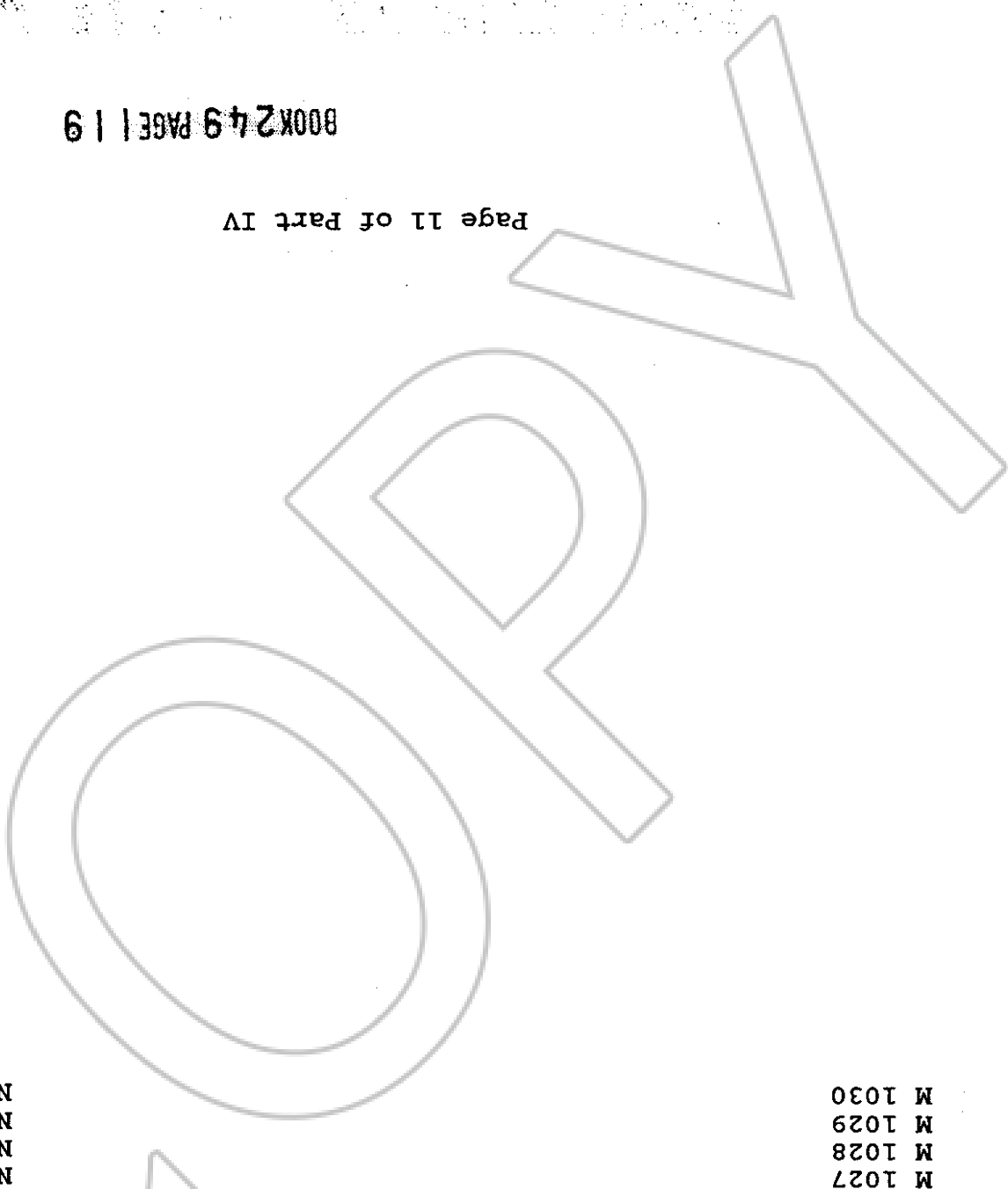
CLAIM NAME	RECORDING INFORMATION	SERIAL NO.
------------	-----------------------	------------

NMC 316624	NMC 316624	NMC 316624
NMC 316625	NMC 316625	NMC 316625
NMC 316626	NMC 316626	NMC 316626
NMC 316627	NMC 316627	NMC 316627
NMC 316628	NMC 316628	NMC 316628
NMC 316629	NMC 316629	NMC 316629
NMC 316630	NMC 316630	NMC 316630
NMC 316631	NMC 316631	NMC 316631
NMC 316632	NMC 316632	NMC 316632
NMC 316633	NMC 316633	NMC 316633
NMC 316634	NMC 316634	NMC 316634
NMC 316635	NMC 316635	NMC 316635
NMC 316636	NMC 316636	NMC 316636
NMC 316637	NMC 316637	NMC 316637
NMC 316638	NMC 316638	NMC 316638
NMC 316639	NMC 316639	NMC 316639
NMC 316640	NMC 316640	NMC 316640

M 1014	M 1014	M 1014
M 1015	M 1015	M 1015
M 1016	M 1016	M 1016
M 1017	M 1017	M 1017
M 1018	M 1018	M 1018
M 1019	M 1019	M 1019
M 1020	M 1020	M 1020
M 1021	M 1021	M 1021
M 1022	M 1022	M 1022
M 1023	M 1023	M 1023
M 1024	M 1024	M 1024
M 1025	M 1025	M 1025
M 1026	M 1026	M 1026
M 1027	M 1027	M 1027
M 1028	M 1028	M 1028
M 1029	M 1029	M 1029
M 1030	M 1030	M 1030

Page 11 of Part IV

BOOK 249 PAGE 119



**SCHEDULE I TO SPECIAL WARRANTY DEED
CONVEYING INTEREST IN OVERRIDING ROYALTY**

BK 3966395

V. Fee land lease to the Cortez Joint Venture, Cortez Gold Mines, or Placer Dome U.S. Inc. within the defined Cortez Joint Venture Area of Interest.

(1) SFP Minerals corporation fee land subject to a Mining Sublease dated April 7, 1988 between SFP Mineral Corporation and Nerco Exploration Company (successor in interest to Resource Associates of Alaska, Inc.) and further subject to the Mineral Lease with option to purchase dated April 1, 1991 between Nerco Exploration Company and Placer Dome U.S. Inc. and as described below:

Township 29 North, Range 46 East, MDB&M

Section 9: Lots 1-3, NW/4 NW/4, S/2 N/2, S/2 NE/4, E/2 NW/4, NW/4 SW/4, S/2 SW/4, SW/4 SE/4, (638.45 ac)
Section 11: N/2 SE/4 W/2, NE/4 (480.00 ac)
Section 15: (480.00 ac)

Township 30 North, Range 46 East, MDB&M

Section 27: All (640.00 ac)
Section 35: All, excluding E/2 NW/4 (560.00 ac)

(11)

Richard Belastegui, etal fee land subject to a Mining Lease with option to purchase dated May 1, 1991 between Richard Belastegui, Joyce Wright, Robin Wheat, Mrs. Tony Herrera, Mrs. Delfina Swackhammer, and Thomas L. Belastegui, individually and as Executor under the will of Leon Belastegui (collectively as Lessor) and Placer Dome U.S. Inc. (as Lessee).

Township 29 North, Range 46 East, MDB&M

Section 8: N/2, S/2 SE/4

containing 400 acres, more or less.

Page 1 of Part V

BOOK 249 PAGE 120

(111)

Magdalen Ondovchak patented mining claims subject to a Lease and Option Agreement dated May 22, 1974 between Mrs. Magdalen T. Ondovchak and Placer Dome U.S. Inc. (successor in interest to Kibbe and Company) and described as follows:
16 patented mining claims located in all or portions of Section 33, Township 30 North, Range 46 East, MDB&M, Lander County, Nevada and further described as follows:

Claim Name	MS #	Patent No.
Hilltop No. 2	4086	448057
Independence Strike 1	4086	448057
Independence Strike 2	4086	448057
Independence Strike 3	4086	448057
Independence Strike 4	4086	448057
Clore	4086	448057
Sunshine	4086	448057
Hobo	4086	448057
Golden Creek	4086	448057
White Rock	4086	448057
Hilltop	4090	440649
Hilltop Extension	4090	440649
Hilltop 3	4090	440649
Hilltop 4	4090	440649
Nellie G	4090	440649
Log Cabin	4090	440649

SCHEDULE I TO SPECIAL WARRANTY DEED
CONVEYING INTEREST IN OVERRIDING ROYALTY

VI. Fee land and patented mining claims owned by Cortez Joint Venture, Cortez Gold Mines or Placer Dome U.S. Inc. within the defined Cortez Joint Venture Area of Interest.

(1)

Township 30 North, Range 46 East, MDB&M

Section 33: All APN 07-050-44

Township 29 North, Range 46 East, MDB&M

Section 4: Lot 4 (NW/4 NW/4) 07-240-04

Section 5: All 07-240-03

Township 28 North, Range 47 East, MDB&M

Section 35: W/2 07-350-12

Section 36: SW/4

Township 26 North, Range 48 East, MDB&M

Section 3: NE/4 SW/4, SW/4 SE/4 06-070-01; 06-070-02

Section 7: NE/4, NW/4 SE/4 07-500-01

Section 18: Lot 4, SE/4 SW/4 07-500-04

Section 19: Lot 1, E/2 NW/4, NW/4 SE/4, S/2 SE/4 07-500-05

(1)

Patented Claims - Cortez Area

Eureka County Recording Info. Book Pages Parcel No.

Claim Name

Book

Pages

595-97 4100020 &

558-60 41000100 &

544-45

546-47

566-67

586-88

50-52

562-63

44-46

570-71

276-79

550-51

558-59

542-44

53-55

Arctic

Avalanche

Adjunct

Alta

Bewick

Cummings

Central Consolidated

Concave

Compressor

Conjunction

Chance

Devalia

Equator

Eclipse

Excelsior

EUREKA

"

"

"

"

"

"

"

"

"

"

"

"

"

"

"

Eureka County Recording Info.

Book Pages

Recd. No.

41600520 &
41000100

589-91	11	589-91
583-85	11	583-85
554-55	13	554-55
598-600	11	598-600
580-82	11	580-82
47-49	13	47-49
564-65	13	564-65
276-79	20	276-79
556-57	13	556-57
552-53	13	552-53
585-86	13	585-86
560-61	13	560-61
592-94	11	592-94
548-49	13	548-49
574-75	13	574-75
572-73	13	572-73
276-79	20	276-79
276-79	20	276-79
587-88	13	587-88
601-03	11	601-03
540-41	13	540-41
568-69	13	568-69
462-63	19	462-63

(iii) Patented Claims - Gold Acres Area

Pitzgerald	"	11
Garrison	"	11
Hidden Treasure	"	11
Idaho	"	11
Junction	"	11
Jeanette	"	11
Kingsbury	"	11
Lead	"	11
Moring	"	11
Monarch	"	11
Meteor	"	11
Mt. Tenabo	"	11
Premium	"	11
Pontifex	"	11
Protection	"	11
Prevision	"	11
Quartzite	"	11
Rosebush	"	11
Remnant	"	11
St. Louis	"	11
Speculation	"	11
Summit	"	11
Millsite - Cortez	"	11

EUREKA

Claim Name

MS #

Patent No.

Recd. No.

98-76-58	1161800	98-76-58
98-76-59	1161800	98-76-59
98-76-60	1161800	98-76-60
98-76-61	1161800	98-76-61
98-76-64	1161800	98-76-64
98-76-62	1161800	98-76-62
98-76-63	1161800	98-76-63
98-76-65	1161800	98-76-65
98-76-68	1161800	98-76-68
98-76-66	1161800	98-76-66
98-76-67	1161800	98-76-67
98-76-69	1161800	98-76-69
98-76-70	1161800	98-76-70
98-76-71	1161800	98-76-71
98-76-73	1161800	98-76-73
98-76-72	1161800	98-76-72
98-76-74	1161800	98-76-74
98-76-75	1161800	98-76-75
98-76-76	1161800	98-76-76
98-76-77	1161800	98-76-77

Ambrose E
Afterthought
Bruce
Fandango
Gold Drift
Gold Bar
Gold Case
Harry C.
Hub
Homestead No. 2
Hope to Do
Iron Blossom No. 3
Jumbo
Jupiter
New Monarch
Neptune
Polaris
Robert W.
Second Guess
Venus

LANDER

Claim Name	MS #	Patent No.	Parcel No.
M 4	5000	27-90-0007	098-704-72
M 5	5000	27-90-0007	098-704-73
M 12	5000	27-90-0007	098-704-74
M 13	5000	27-90-0007	098-704-75
M 14	5000	27-90-0007	098-704-76
M 33	5000	27-90-0007	098-704-77
M 36	5000	27-90-0007	098-704-78
M 37	5000	27-90-0007	098-704-79
M 38	5000	27-90-0007	098-704-80
M 39	5000	27-90-0007	098-704-81
M 40	5000	27-90-0007	098-704-82
M 55	5000	27-90-0007	098-704-83
M 56	5000	27-90-0007	098-704-84
M 57	5000	27-90-0007	098-704-85
M 58	5000	27-90-0007	098-704-86
M 59	5000	27-90-0007	098-704-87
M 60	5000	27-90-0007	098-704-88
M 61	5000	27-90-0007	098-704-89
M 62	5000	27-90-0007	098-704-90
M 70	5000	27-90-0007	098-704-91
M 71	5000	27-90-0007	098-704-92
M 72	5000	27-90-0007	098-704-93
M 73	5000	27-90-0007	098-704-94
M 74	5000	27-90-0007	098-704-95
M 75	5000	27-90-0007	098-704-96
M 76	5000	27-90-0007	098-704-97
M 77	5000	27-90-0007	098-704-98
M 78	5000	27-90-0007	098-704-99
M 79	5000	27-90-0007	098-705-01
M 80	5000	27-90-0007	098-705-02
M 81	5000	27-90-0007	098-705-03
M 87	5000	27-90-0007	098-705-04
M 88	5000	27-90-0007	098-705-05
M 89	5000	27-90-0007	098-705-06
M 90	5000	27-90-0007	098-705-07
M 91	5000	27-90-0007	098-705-08
M 92	5000	27-90-0007	098-705-09
M 93	5000	27-90-0007	098-705-10
M 94	5000	27-90-0007	098-705-11
M 95	5000	27-90-0007	098-705-12
M 96	5000	27-90-0007	098-705-13
M 97	5000	27-90-0007	098-705-14
M 98	5000	27-90-0007	098-705-15
M 99	5000	27-90-0007	098-705-16
M 104	5000	27-90-0007	098-705-17
M 105	5000	27-90-0007	098-705-18
M 106	5000	27-90-0007	098-705-19

Page 3 of Part VI

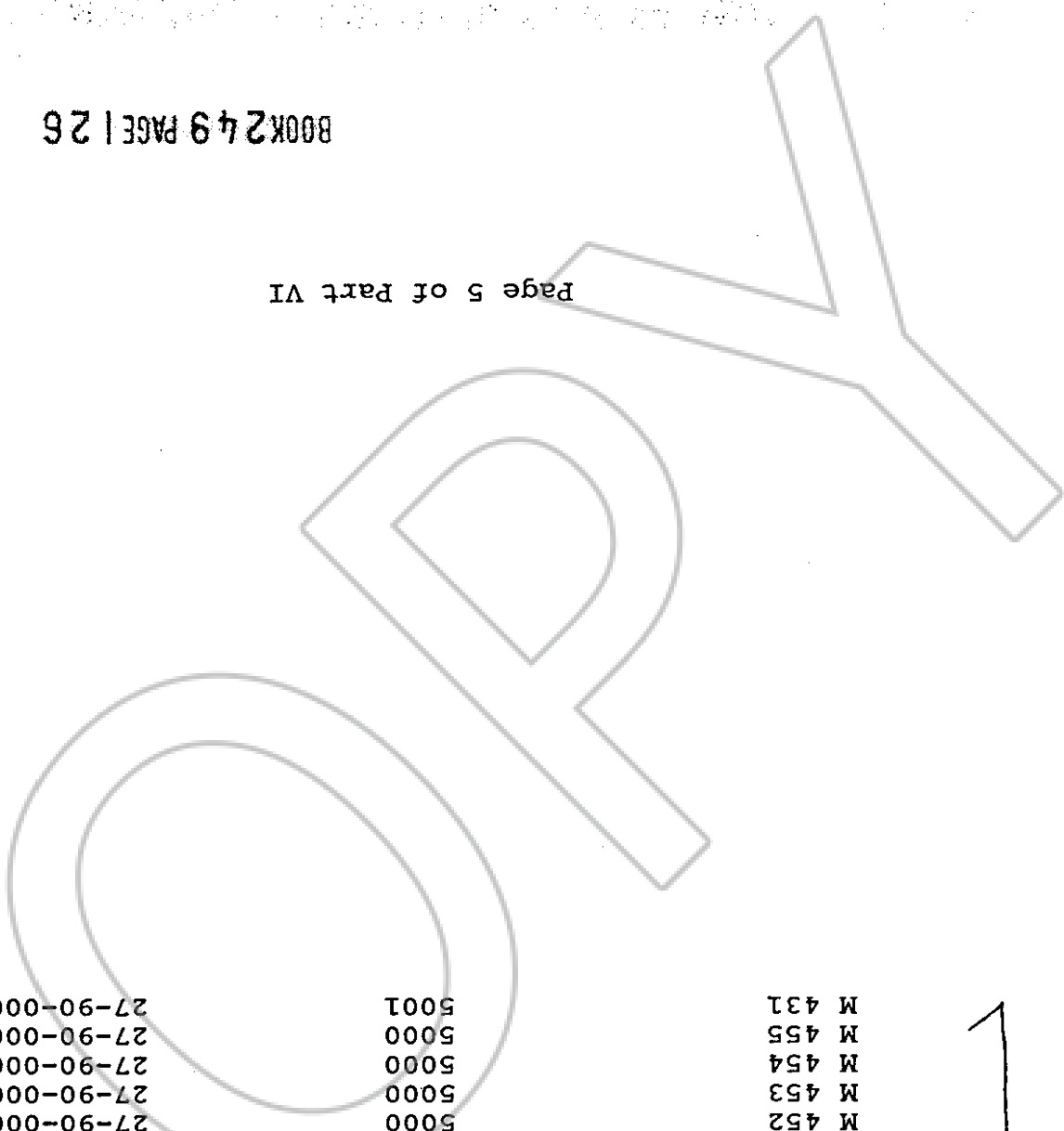
BOOK 249 PAGE 124

LAND ER

Claim Name	MS #	Patent No.	Parcel No.
M 107	5000	27-90-0007	098-705-20
M 108	5000	27-90-0007	098-705-21
M 109	5000	27-90-0007	098-705-22
M 110	5000	27-90-0007	098-705-23
M 111	5000	27-90-0007	098-705-24
M 112	5000	27-90-0007	098-705-25
M 113	5000	27-90-0007	098-705-26
M 114	5000	27-90-0007	098-705-27
M 115	5000	27-90-0007	098-705-28
M 116	5000	27-90-0007	098-705-29
M 117	5000	27-90-0007	098-705-30
M 137	5000	27-90-0007	098-705-31
M 138	5000	27-90-0007	098-705-32
M 139	5000	27-90-0007	098-705-33
M 140	5000	27-90-0007	098-705-34
M 145	5000	27-90-0007	098-705-35
M 146	5000	27-90-0007	098-705-36
M 147	5000	27-90-0007	098-705-37
M 148	5000	27-90-0007	098-705-38
M 153	5000	27-90-0007	098-705-39
M 154	5000	27-90-0007	098-705-40
M 155	5000	27-90-0007	098-705-41
M 156	5000	27-90-0007	098-705-42
M 161	5000	27-90-0007	098-705-43
M 177	5000	27-90-0007	098-705-44
M 178	5000	27-90-0007	098-705-45
M 179	5000	27-90-0007	098-705-46
M 180	5000	27-90-0007	098-705-47
M 181	5000	27-90-0007	098-705-48
M 182	5000	27-90-0007	098-705-49
M 183	5000	27-90-0007	098-705-50
M 184	5000	27-90-0007	098-705-51
M 185	5000	27-90-0007	098-705-52
M 199	5000	27-90-0007	098-705-53
M 201	5000	27-90-0007	098-705-54
M 202	5000	27-90-0007	098-705-55
M 203	5000	27-90-0007	098-705-56
M 204	5000	27-90-0007	098-705-57
M 205	5000	27-90-0007	098-705-58
M 206	5000	27-90-0007	098-705-59
M 207	5000	27-90-0007	098-705-60
M 208	5000	27-90-0007	098-705-61
M 209	5000	27-90-0007	098-705-62
M 210	5000	27-90-0007	098-705-63
M 220	5000	27-90-0007	098-705-64
M 221	5000	27-90-0007	098-705-65
M 222	5000	27-90-0007	098-705-66
M 223	5000	27-90-0007	098-705-67
M No. 294	5000	27-90-0007	098-705-68
M No. 295	5000	27-90-0007	098-705-69

Page 4 of Part VI

BOOK 249 PAGE 125



Patent No.	MS #	Claim Name	Page No.
27-90-0007	5000	M No. 296	048-705-70
27-90-0007	5000	M No. 297	048-705-71
27-90-0007	5000	M No. 319	048-705-72
27-90-0007	5000	M No. 320	048-705-73
27-90-0007	5000	M No. 321	048-705-74
27-90-0007	5000	M No. 322	048-705-75
27-90-0007	5000	M No. 323	048-705-76
27-90-0007	5000	M No. 324	048-705-77
27-90-0007	5000	M No. 325	048-705-78
27-90-0007	5000	M No. 326	048-705-79
27-90-0007	5000	M No. 327	048-705-80
27-90-0007	5000	M No. 422	048-705-81
27-90-0007	5000	M No. 423	048-705-82
27-90-0007	5000	M No. 424	048-705-83
27-90-0007	5000	M No. 425	048-705-84
27-90-0007	5000	M No. 426	048-705-85
27-90-0007	5000	M No. 427	048-705-86
27-90-0007	5000	M No. 428	048-705-87
27-90-0007	5000	M No. 429	048-705-88
27-90-0007	5000	M No. 430	048-705-89
27-90-0007	5000	M No. 449	048-705-90
27-90-0007	5000	M No. 450	048-705-91
27-90-0007	5000	M No. 451	048-705-92
27-90-0007	5000	M No. 452	048-705-93
27-90-0007	5000	M No. 453	048-705-94
27-90-0007	5000	M No. 454	048-705-95
27-90-0007	5000	M No. 455	048-705-96
27-90-0005	5001	M No. 431	048-705-97

LAUER

SCHEDULE II TO SPECIAL WARRANTY DEED CONVEYING INTEREST
IN OVERRIDING ROYALTY (THE PIPELINE CLAIMS)

A. Gold Fields Mining Company unpatented lode mining claims subject to the Prospecting Permit and Purchase Option Agreement dated August 13, 1991 between Placer Dome U.S. Inc. and Gold Fields Mining Company.

Claim Name BLM Serial No.

GRM 682	NMC 397574
GRM 684	NMC 398229
GRM 686	NMC 398231
GRM 688	NMC 398233
GRM 690	NMC 398235
GRM 691	NMC 398236
GRM 692	NMC 398237
GRM 693	NMC 398238
GRM 694	NMC 398239
GRM 695	NMC 398240
GRM 696	NMC 398241
GRM 697	NMC 398242
GRM 698	NMC 398243
GRM 699	NMC 398244
GRM 700	NMC 398245
GRM 703	NMC 398246
GRM 704	NMC 397577
GRM 705	NMC 398247
GRM 706	NMC 397578
GRM 707	NMC 398248
GRM 708	NMC 397579
GRM 709	NMC 398249
GRM 710	NMC 397580
GRM 711	NMC 398250
GRM 712	NMC 397581
GRM 713	NMC 398251
GRM 714	NMC 397582
GRM 715	NMC 398252
GRM 716	NMC 398253
GRM 717	NMC 398254
GRM 718	NMC 398255
GRM 719	NMC 398256
GRM 720	NMC 398257
GRM 721	NMC 398258
GRM 722	NMC 398259
GRM 723	NMC 398260
GRM 724	NMC 398261
GRM 725	NMC 398262
GRM 726	NMC 398263
GRM 727	NMC 398264
GRM 728	NMC 398265
GRM 729	NMC 398266

Page 1 to Schedule II

SCHEDULE II TO SPECIAL WARRANTY DEED CONVEYING INTEREST
IN OVERRIDING ROYALTY (THE PIPELINE CLAIMS)

BLM Serial No.

Claim Name

NMC 398267
 NMC 398268
 NMC 398269
 NMC 398272
 NMC 398273
 NMC 398274
 NMC 398275
 NMC 398276
 NMC 398277
 NMC 398278
 NMC 398279
 NMC 398280
 NMC 398281
 NMC 398282
 NMC 398283
 NMC 398284
 NMC 398285
 NMC 398286
 NMC 398287
 NMC 398288
 NMC 398289
 NMC 398290
 NMC 398291
 NMC 398292
 NMC 398293
 NMC 398294
 NMC 398295
 NMC 398296
 NMC 398297
 NMC 398298
 NMC 398299
 NMC 398300
 NMC 398301
 NMC 398303
 NMC 398304
 NMC 398305
 NMC 398306
 NMC 398307
 NMC 398308
 NMC 398309
 NMC 398310
 NMC 398311
 NMC 398312
 NMC 398313
 NMC 398314
 NMC 398315
 NMC 398316

GRM 730
 GRM 731
 GRM 732
 GRM 735
 GRM 736
 GRM 737
 GRM 738
 GRM 739
 GRM 740
 GRM 741
 GRM 742
 GRM 743
 GRM 744
 GRM 745
 GRM 746
 GRM 747
 GRM 748
 GRM 749
 GRM 750
 GRM 751
 GRM 752
 GRM 753
 GRM 754
 GRM 755
 GRM 756
 GRM 757
 GRM 758
 GRM 759
 GRM 760
 GRM 761
 GRM 762
 GRM 763
 GRM 764
 GRM 768
 GRM 769
 GRM 770
 GRM 771
 GRM 772
 GRM 773
 GRM 774
 GRM 775
 GRM 776
 GRM 777
 GRM 778
 GRM 779
 GRM 780
 GRM 781

Page 2 to Schedule II

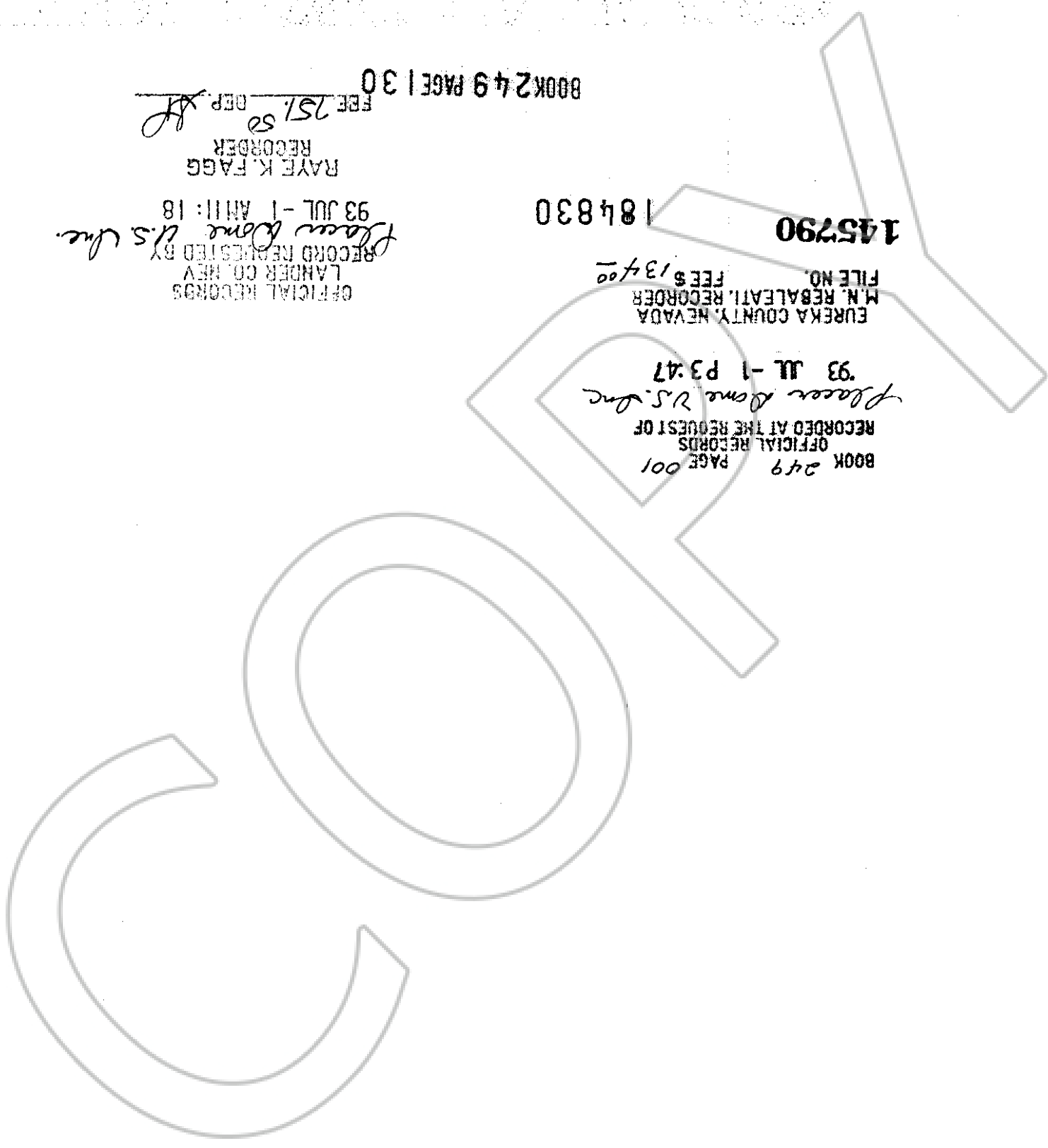
SCHEDULE II TO SPECIAL WARRANTY DEED CONVEYING INTEREST
IN OVERRIDING ROYALTY (THE PIPELINE CLAIMS)

BLM Serial No.

Claim Name

NMC 398353	GRM 850
NMC 414558	GAC 7
NMC 414559	GAC 8
NMC 414560	GAC 9
NMC 414561	GAC 10
NMC 414562	GAC 11
NMC 414563	GAC 12
NMC 414564	GAC 13
NMC 414565	GAC 14
NMC 414566	GAC 15
NMC 414567	GAC 16
NMC 414569	GAC 18
NMC 639649	GAC 23
NMC 635005	GAC 24
NMC 639650	GAC 25
NMC 667091	GAC 25A
NMC 635006	GAC 26
NMC 432086	GAC 27
NMC 432087	GAC 28
NMC 432088	GAC 29
NMC 432089	GAC 30
NMC 649849	GAC 32A
NMC 432092	GAC 33
NMC 432092	GAC 34A
NMC 649850	GAC 35
NMC 432094	GAC 35A
NMC 667092	GAC 36
NMC 432095	GAC 37
NMC 432096	GAC 37A
NMC 667093	GAC 38
NMC 432097	GAC 39
NMC 432098	GAC 40
NMC 432099	GAC 41A
NMC 649851	GAC 42
NMC 432101	GAC 42A
NMC 667094	GAC 42B
NMC 667095	GAC 43
NMC 432102	GAC 44
NMC 432103	GAC 45A
NMC 649852	GF 2
NMC 634993	GAMEX 13
NMC 66394	GAMEX 14
NMC 66395	BILLIE 1
NMC 84204	BILLIE 2
NMC 84205	BILLIE 3
NMC 84206	BILLIE R4
NMC 671292	

Page 3 to Schedule II



BOOK 249 PAGE 130
 FEE 751.52 DEP. *JF*
 RECORDER
 RAYE K. FAGG

145790
 184830

OFFICIAL RECORDS
 PAGE 001
 BOOK 249
 RECORDED AT THE REQUEST OF
Placer Dome U.S. Inc.
 93 JUL -1 P.3:47

EUREKA COUNTY, NEVADA
 M.N. REBAL EATL. RECORDER
 FILE NO.
 FEES 134.00

OFFICIAL RECORDS
 LANDER CO. NEV
 RECORD REQUESTED BY
Placer Dome U.S. Inc.
 93 JUL -1 AM 11:18

DECLARATION OF VALUE

Recording Date 7-1-93 Book 249 Page 001 Instrument # 145790

\$	9,500,000.00	Full Value of Property Interest Conveyed
-	-0-	Less Assumed Liens & Encumbrances
\$	475,000.00	Taxable Value (NRS 375.010, Section 4)
\$	617.50	Real Property Transfer Tax Due

If exempt, state reason. NRS 375.090, Section 9 Explain: _____

Tax paid only on interest conveyed in patented claims and fee lands. Unpatented claims exempt.

() Escrow Holder only. Check if Real Property Transfer Tax is to be deferred under NRS 375.030, Section 3.

INDIVIDUAL

Under penalty of perjury, I hereby declare that the above statements are correct.

Signature of Declarant

Alan Yoshida

Name (Please Print)

240 S. Rock Blvd.

Address

Reno, Nevada 89502

City State Zip

ESCROW HOLDER

Under penalty of perjury, I hereby declare that the above statements are correct to the best of my knowledge based upon the information available to me in the documents contained in the escrow file.

Signature of Declarant

Name (Please Print)

Escrow Number

Firm Name

Address

City

State

Zip

Tax paid for the above transfer on _____, 19 93, per NRS 375.030, Section 3.

Signature of Receiver or Representative

Debbie Stogarty, Deputy

BOOK 249 PAGE 131

REC 28 - NTC - RPT Form 1