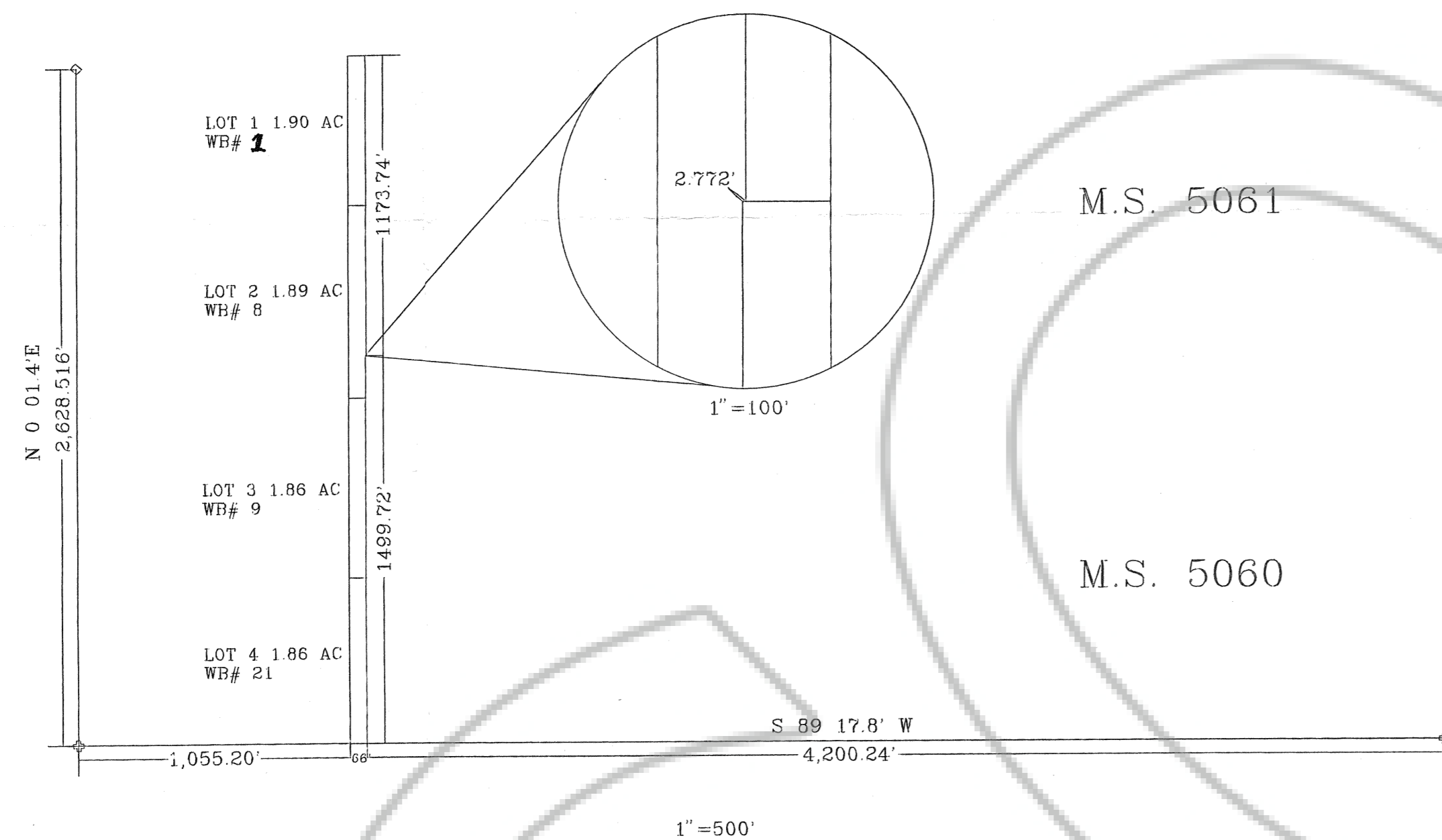


NOTE:
 AMENDED CERTIFICATES WERE POSTED ON NORTH LINE OF
 EACH MILL SITE ON JULY 12, 1993.



M.S. 5061

M.S. 5060

1"=500'

FILED AT THE REQUEST OF *Barrick Goldstrike*
 on *July 13* 19 *93* at *10:00 AM*
 RECORDS OF EUREKA COUNTY, NEVADA M. H. REDDAWAY, Recorder
 File # **145810** Fee \$ *60*

BARRICK

GOLDSTRIKE MINES INC.
 P.O. Box 29, Elko, Nevada 89803
 (702) 738-8043

MAP OF

AMENDED WB# 1
 AMENDED WB# 8
 AMENDED WB# 9
 AMENDED WB#21

SECTION 24 LOTS 1,2,3,4 T36N, R49E M.D.B. & M.
 LYNN MINING DISTRICT EUREKA CO, NV.

DRAWN: N.A.K. SCALE: 1"=500'

DATE: 7/12/93 CHECKED:

DWG. NO. P:\ACAD\NANCY\DAVET\WB#