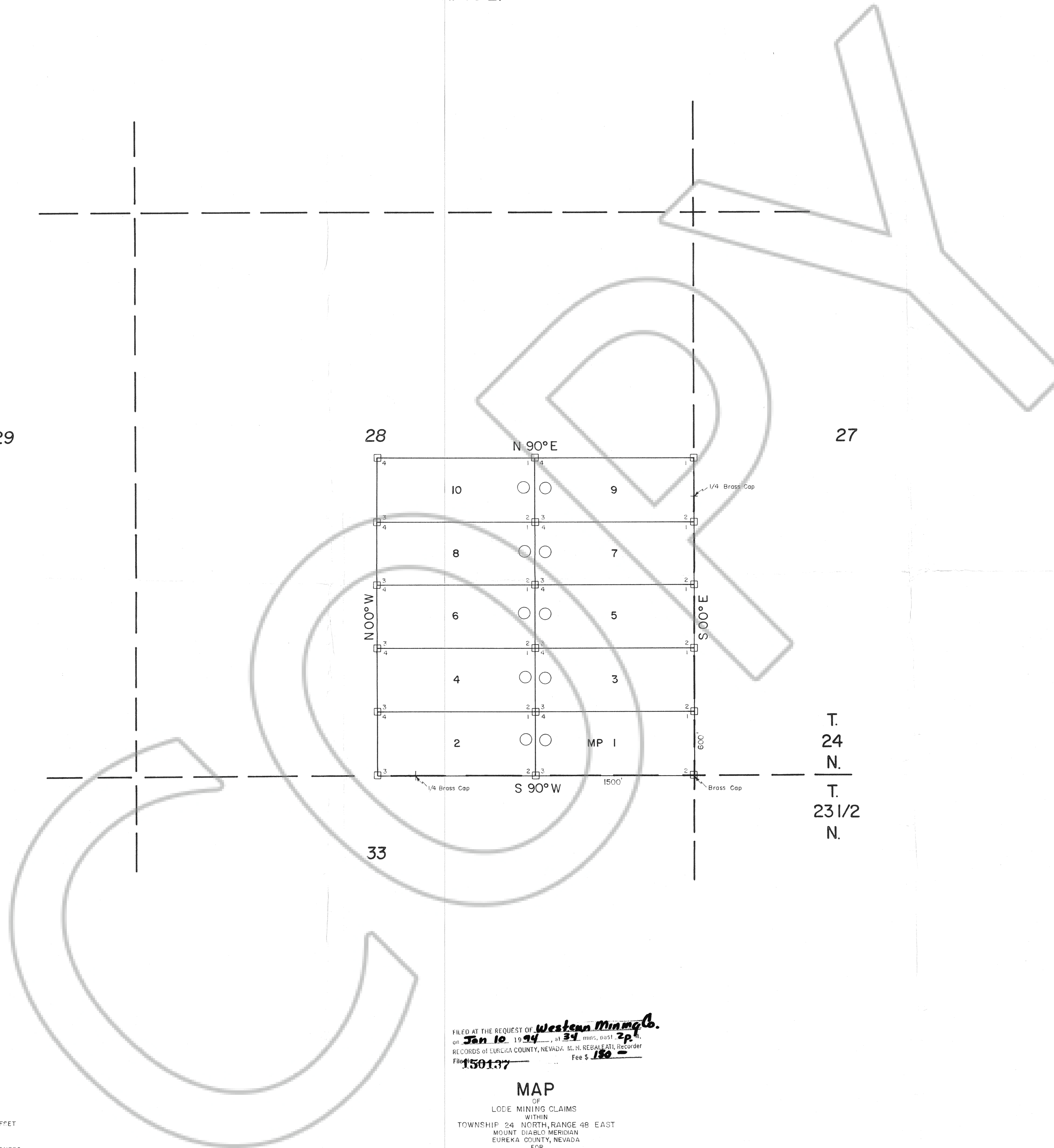


R. 48 E.

29

28

27



T. 24 N.
T. 23 1/2 N.

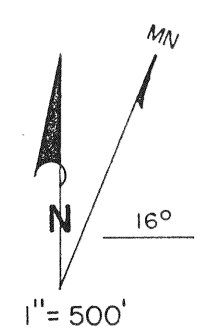
33

FILED AT THE REQUEST OF *Western Mining Co.*
 on *Jan 10, 1994*, at *34* mins. east *28* E.
 RECORDS OF LURIKA COUNTY, NEVADA. M. N. REBALEATI, Recorder
 File # *150137* Fee \$ *180*

MAP
 OF
 LOSE MINING CLAIMS
 WITHIN
 TOWNSHIP 24 NORTH, RANGE 48 EAST
 MOUNT DIABLO MERIDIAN
 EUREKA COUNTY, NEVADA
 FOR
WESTERN MINING CORPORATION (USA)
 240 SOUTH ROCK BLVD., SUITE 137
 RENO, NEVADA 89502

150137

MP CLAIMS 1-10
LOCATED - OCTOBER 25, 1993



○ LOCATION MONUMENT
 ALL CLAIMS ARE 600'x1500' UNLESS OTHERWISE NOTED.
 ALL LOCATION MONUMENTS ARE OFFSET 10' FROM END CENTERS UNLESS OTHERWISE NOTED.
 ALL LOCATION MONUMENTS AND CORNERS ARE MONUMENTED WITH 2" x 2" x 4" WOOD POSTS.
 BEARINGS SHOWN HEREON ARE TRUE BEARINGS