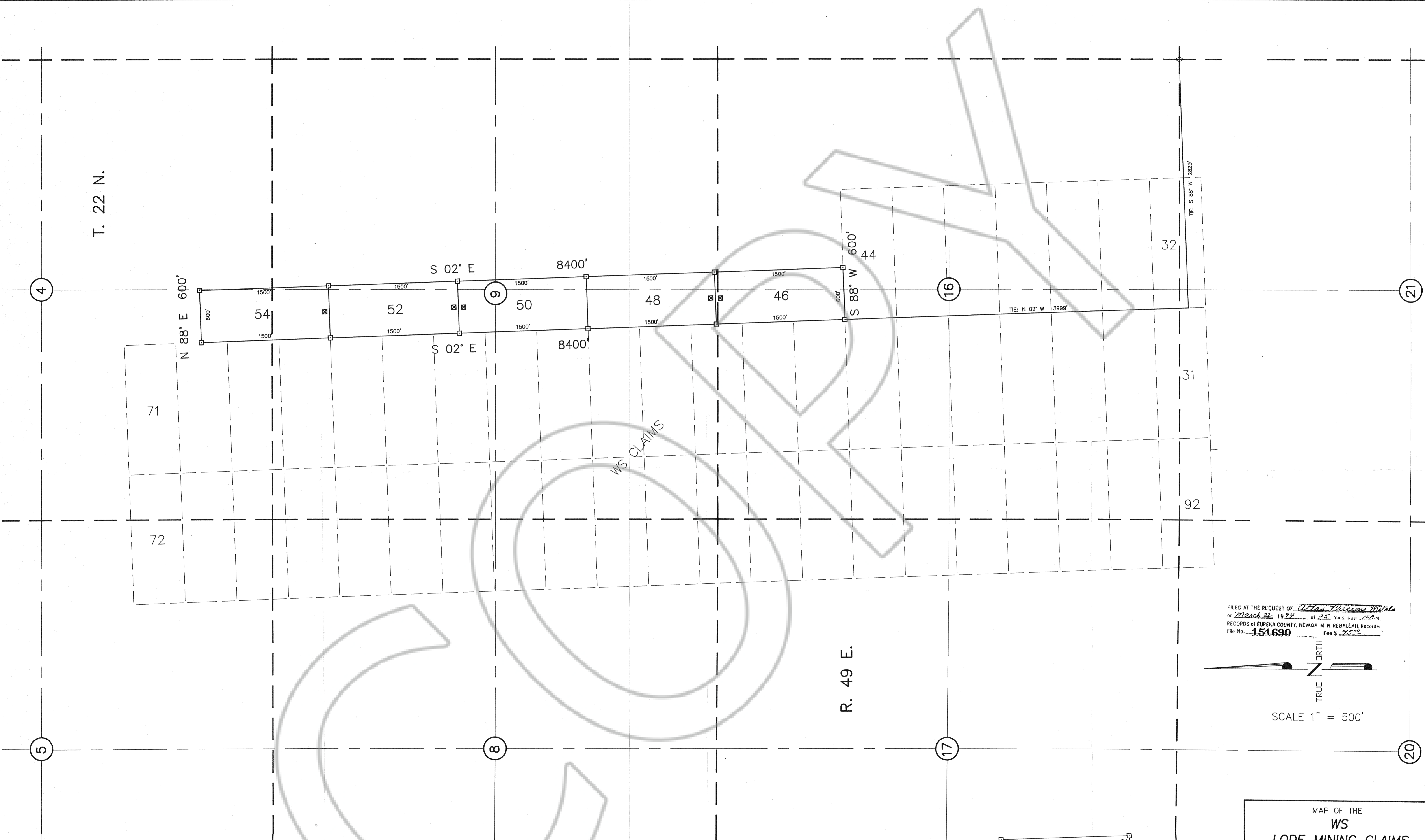
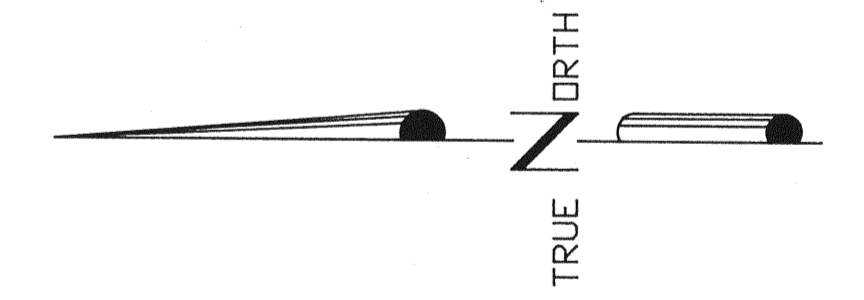


T. 22 N.



FILED AT THE REQUEST OF Atlas Precious Metals
 on March 22, 1994 at 2:55 PM, 1994.
 RECORDS OF EUREKA COUNTY, NEVADA M. N. REBALEATI, Recorder.
 File No. 151690 Fee \$ 75.00

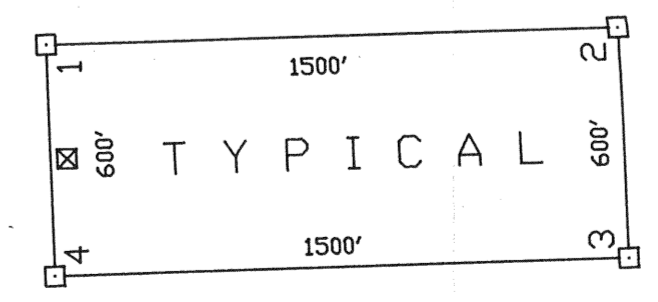


SCALE 1" = 500'

NOTES
 ALL CLAIMS ARE 1500' X 600' UNLESS OTHERWISE SHOWN
 LOCATION MONUMENTS ARE 10' FROM END LINE OF CLAIM
 UNLESS OTHERWISE SHOWN.
 SECTION LINES ARE PROJECTED.

LEGEND
 ☒ - 2" x 2" x 4' WOOD POST LOCATION MONUMENT
 □ - 2" x 2" x 4' WOOD POST MONUMENT
 ◇ - TIE: SECTION CORNER

LOCATION DATES:
 FEB. 10, 1994 46, 48, 50, 52, 54



MAP OF THE
WS
LODE MINING CLAIMS
 Sections 4, 9, and 16,
 T. 22 N., R. 49 E., M.D.M.
 Eureka County, Nevada

Locator
ATLAS PRECIOUS METALS INC.
 370 Seventeenth Street, Suite 3150
 Denver, Colorado 80202-5631
 February 11, 1994

DCA\CLAIMS\ATLAS\93C058