

152539

RPTT: \$21.45

GRANT, BARGAIN AND SALE DEED

151701

FOR A VALUABLE CONSIDERATION, receipt of which is hereby acknowledged,
E. BRENT BILLS, an unmarried man

does hereby GRANT, BARGAIN and SELL to
D & D TIRE, INC., a Nevada Corporation

the real property situate in the County of Eureka
, State of Nevada, described as follows:
SEE EXHIBIT "A" ATTACHED HERETO AND MADE A PART HEREOF.

THIS DEED IS BEING RE-RECORDED TO CORRECT THE LEGAL DESCRIPTION.

TOGETHER with all tenements, hereditaments and appurtenances, including easements and water rights, if any, thereto
belonging or appertaining, and any reversions, remainders, rents, issues or profits thereof.

E. Brent Bills
E. BRENT BILLS

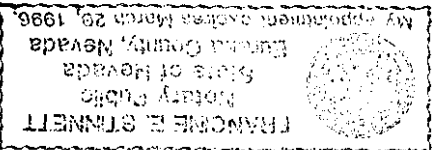
Dated: 2/17/94

STATE OF Nevada
County of Eureka

On February 17, 1994
I, E. BRENT BILLS
personally appeared before me, a Notary Public,

personally known or proved to me to be the persons whose names are subscribed to the
above instrument, who acknowledged that he/she/they executed the above instrument.

Francine E. Stannett
Notary Public



SPACE BELOW THIS LINE FOR RECORDER'S USE

BOOK 269 PAGE 005

BOOK 267 PAGE 070

RECORDING REQUESTED BY:
COW COUNTY TITLE CO.
Order No.: 13009918
WHEN RECORDED MAIL TO:
P.O. BOX 888
Tonopah, NV 89049

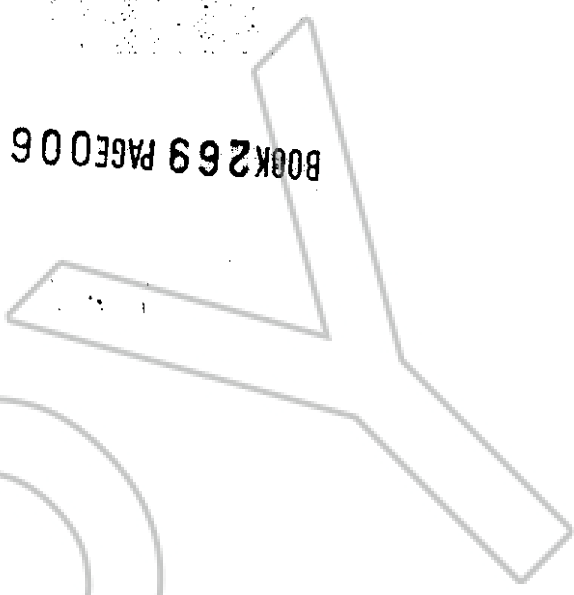
EXHIBIT "A"

A parcel of land being a portion of Lot 2 of Parcel 1 as shown on that certain Parcel Map for William G. Oliver recorded in the Official Records of Eureka County September 20, 1983 as File No. 89171, situate within U.S. Government Lot 16, Section 29, Township 20 North, Range 53 East, M.D.B.&M., more particularly described as follows:

Lot 1 and Lot 2 of that certain Parcel Map for Jerry and Edward Anderson recorded October 1, 1984 in the Office of the County Recorder of Eureka County, Nevada, as File No. 98200X 96027, Eureka County, Nevada records.

EXCEPTING AND RESERVING, also, to the United States all the oil and gas in the land so patented, and to it or persons authorized by it, the right to prospect for, mine and remove such deposits from the same upon compliance with the conditions and subject to the provisions and limitations of the Act of July 17, 1914, (38 Stat. 509), as reserved in the U.S. Patent recorded March 21, 1966 in Book 10 of Official Records, page 205 as File No. 41830, Eureka County, Nevada records.

ASSESSOR'S PARCEL NUMBER FOR 1993 - 1994: 07-380-35



BOOK 267 PAGE 070
OFFICIAL RECORDS
RECORDED AT THE REQUEST OF
Cow County
'94 MAR 28 AM 0:05
EUREKA COUNTY, NEVADA
M.N. REBAL EATL. RECORDER
FILE NO. 151701
FEE \$8.00

BOOK 267 PAGE 070
OFFICIAL RECORDS
RECORDED AT THE REQUEST OF
Cow County
'94 MAY -4 PM 4:54
EUREKA COUNTY, NEVADA
M.N. REBAL EATL. RECORDER
FILE NO. 152539
FEE \$8.00

BOOK 269 PAGE 006

BOOK 267 PAGE 071