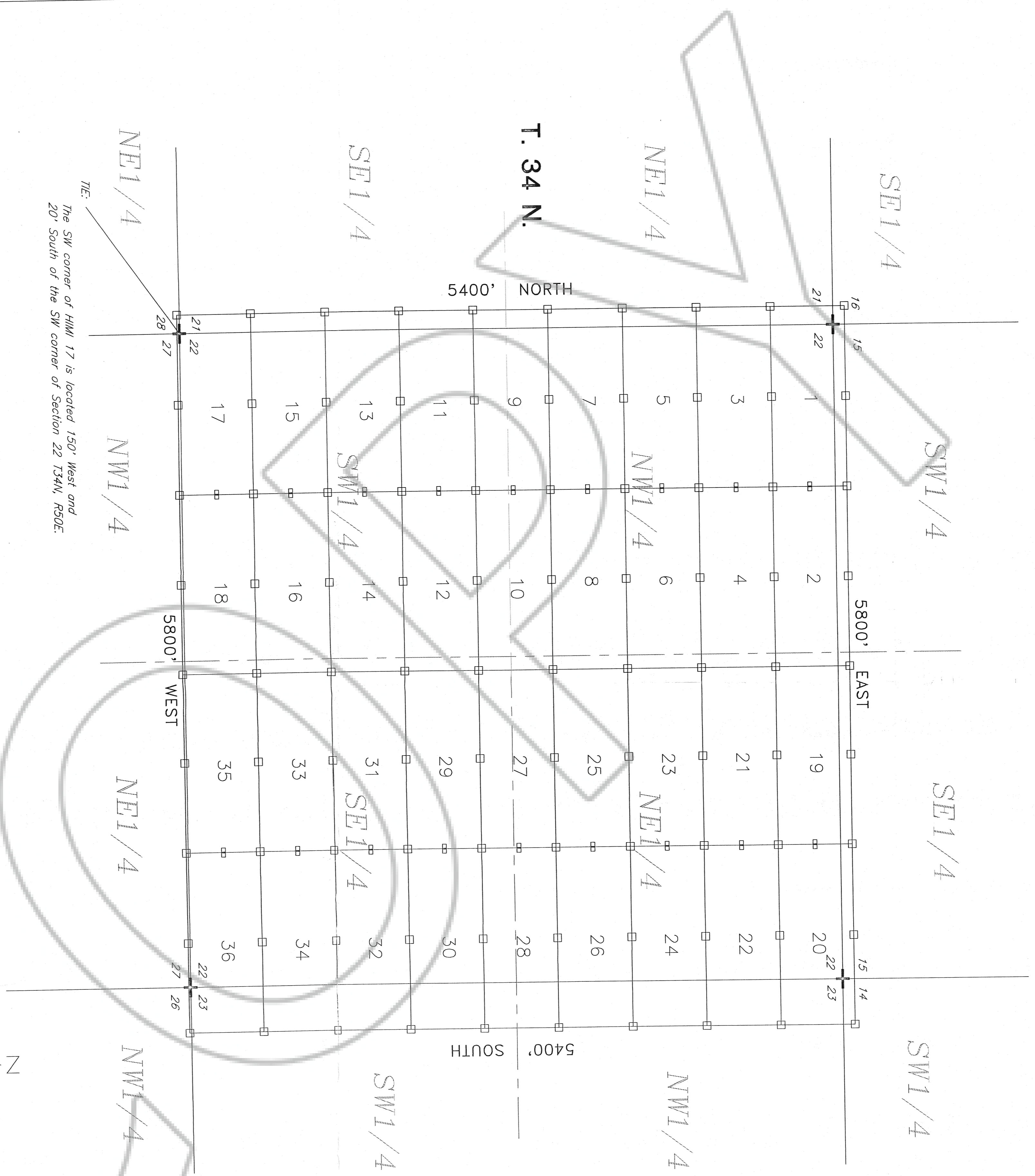


R. 50 E.



NE1/4

SE1/4

NW1/4

SW1/4

NE1/4

SE1/4

NW1/4

SW1/4

NE1/4

SE1/4

NW1/4

SW1/4

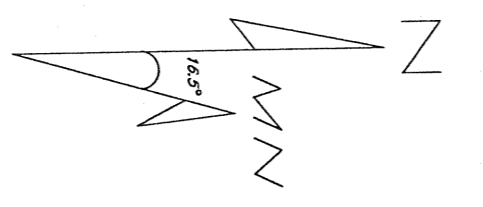
T. 34 N.

5400' NORTH

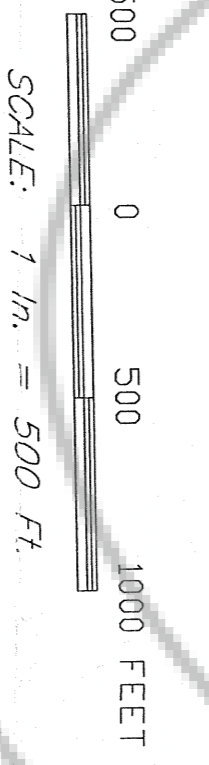
5400' SOUTH

5800' EAST

5800' WEST



Magnetic Declination 16.5 E



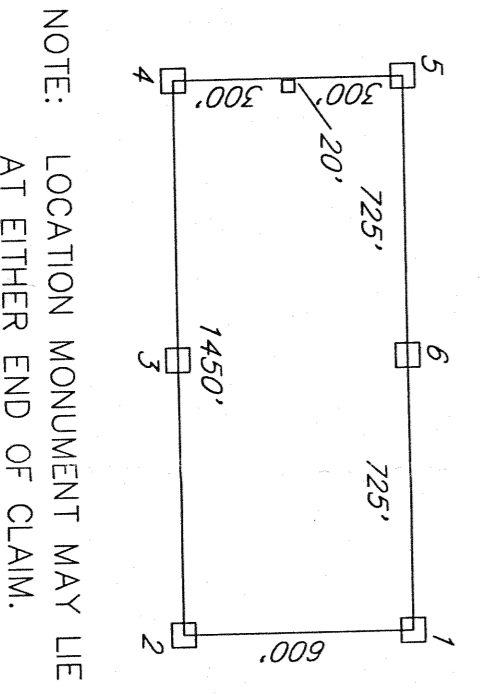
LOCATOR:  
NEWMONT EXPLORATION LIMITED  
555 FIFTH STREET  
ELKO, NEVADA 89801

LOCATION:  
Sections 14-16, 21-23, 26-28, T34N, R50E  
Mount Diablo Meridian  
Eureka County, Nevada

LOCATION DATES:  
HIMI 1-18  
October 25, 1992  
HIMI 19-36  
October 26, 1992

TIE POINT:  
The SW corner of HIMI 17 is located 150' West and  
20' South of the SW corner of Section 22 T34N, R50E.

TYPICAL CLAIMS



STATEMENT BY NEWMONT EXPLORATION LIMITED

THIS AMENDED MAP HAS BEEN PREPARED AND IS RECORDED TO RESTATE THE ACTUAL LOCATION OF THOSE CERTAIN HIMI 1-36 LODGE MINING CLAIMS. THE ORIGINAL MAP OF WHICH WAS RECORDED ON JANUARY 14, 1993 AS FILE NUMBER 143826 IN THE OFFICIAL RECORDS OF EUREKA COUNTY, NEVADA. THIS MAP DEPICTS THE LOCATION OF THE CLAIMS AS ORIGINALLY LOCATED AND IN NO MANNER CHANGES THE POSITION OF SUCH CLAIMS ON THE GROUND.

FILED AT THE REQUEST OF *Neuwmont Exploration*  
ON *July 22 19 94* at *4:17* mins, PM, *ELKO*  
IN THE OFFICIAL COUNTY RECORDS, EUREKA CO., NEVADA  
FILE NO. *234050* Fee \$ *180*

AMENDED CLAIM MAP  
HIMI 1-36  
LODGE MINING CLAIMS  
WITHIN  
T. 34 N., R. 50 E. M.D.M.  
EUREKA COUNTY, NEVADA  
NEWMONT EXPLORATION LIMITED

All claims are 1450' x 600'.  
Location Monuments are 20' from end line of claim.  
Location Monument - 4"x4"x4' Wood Post  
Corner or Side Center Monument - 4"x4"x4' Wood Post  
Found Section Corner